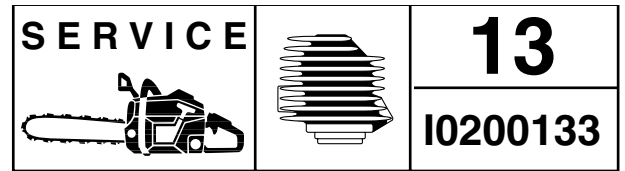


For Husqvarna Parts Call 606-678-9623 or 606-561-4983



IPL, 265 RX, 265 RX EPA, 2002-08, 106 22 92-67

265 RX, 265 RX EPA

Spare parts

Ersatzteile

Pièces détachées

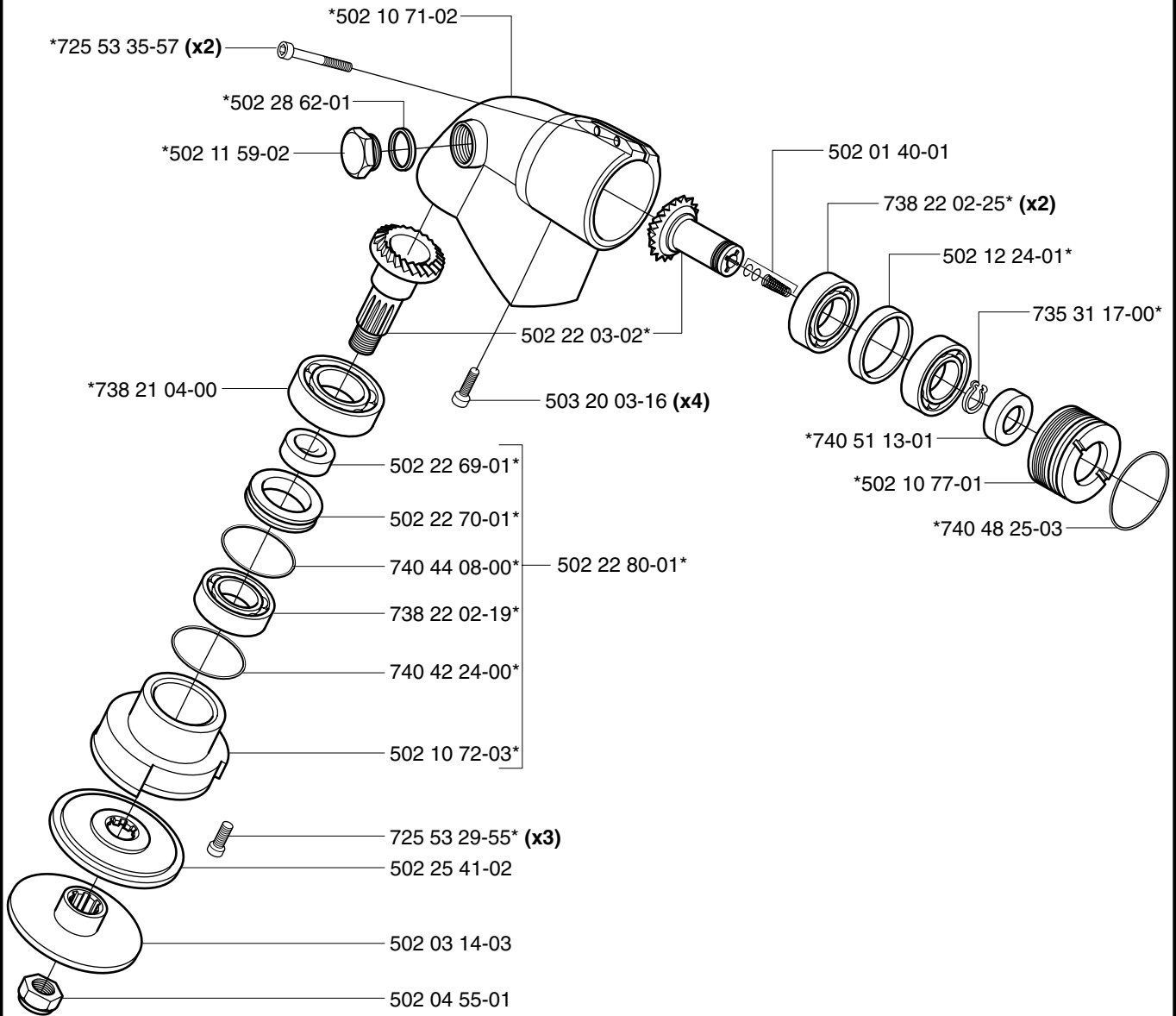
Reserve onderdelen

Repuestos

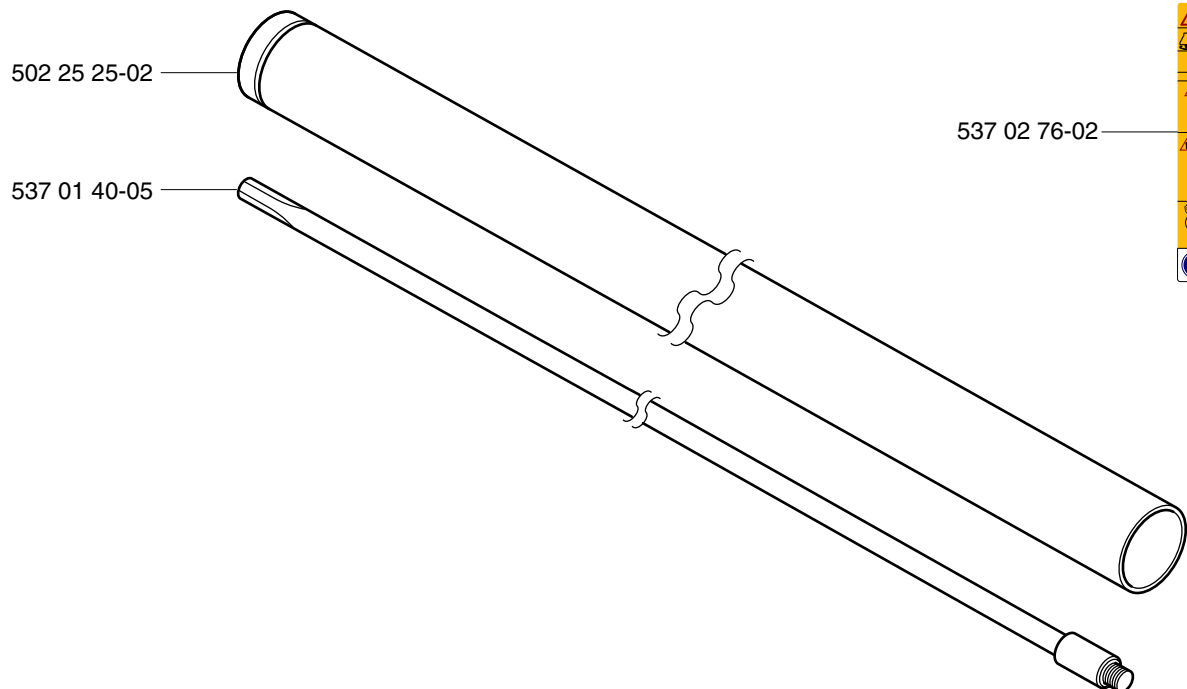
Reservdelar

106 22 92-67

A *compl 502 10 70-07



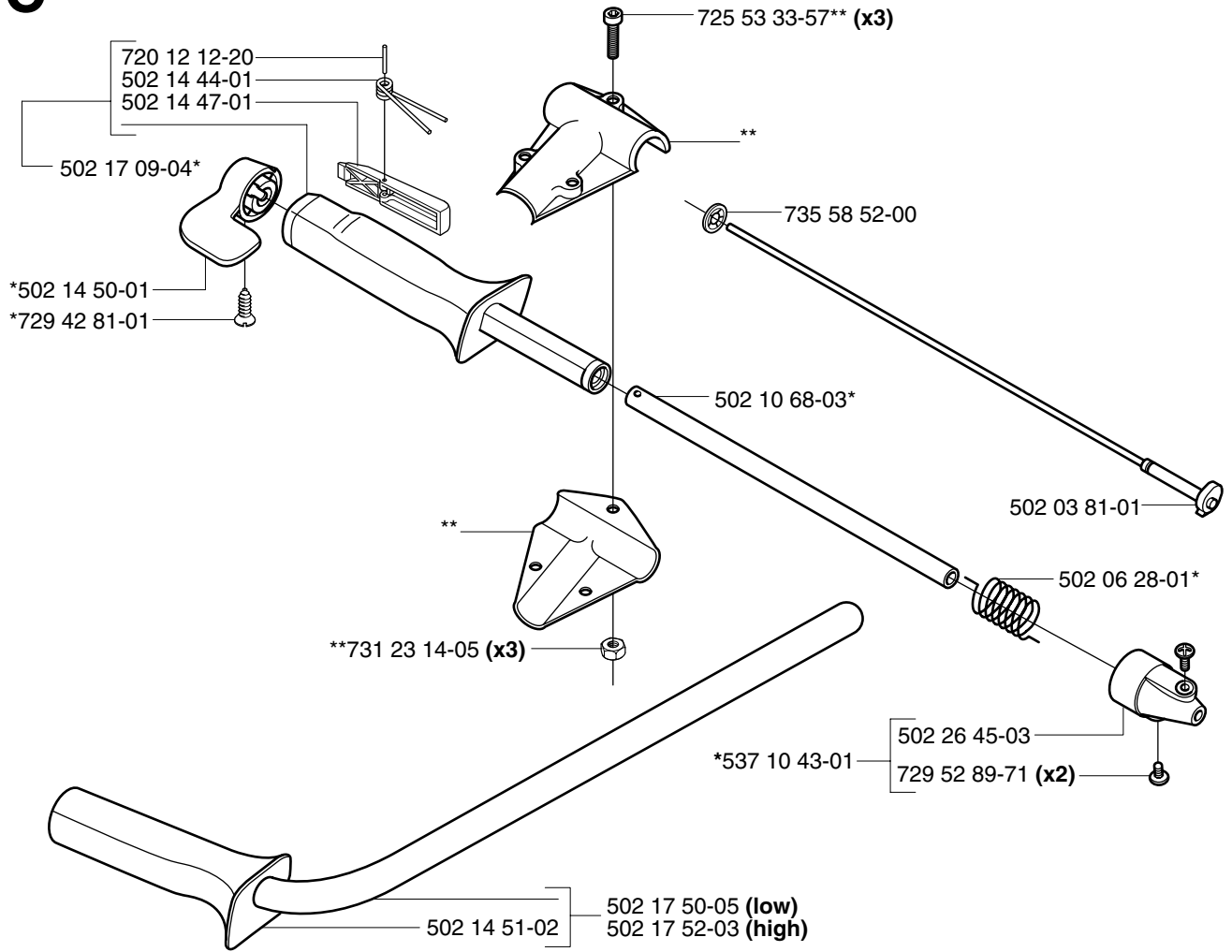
B



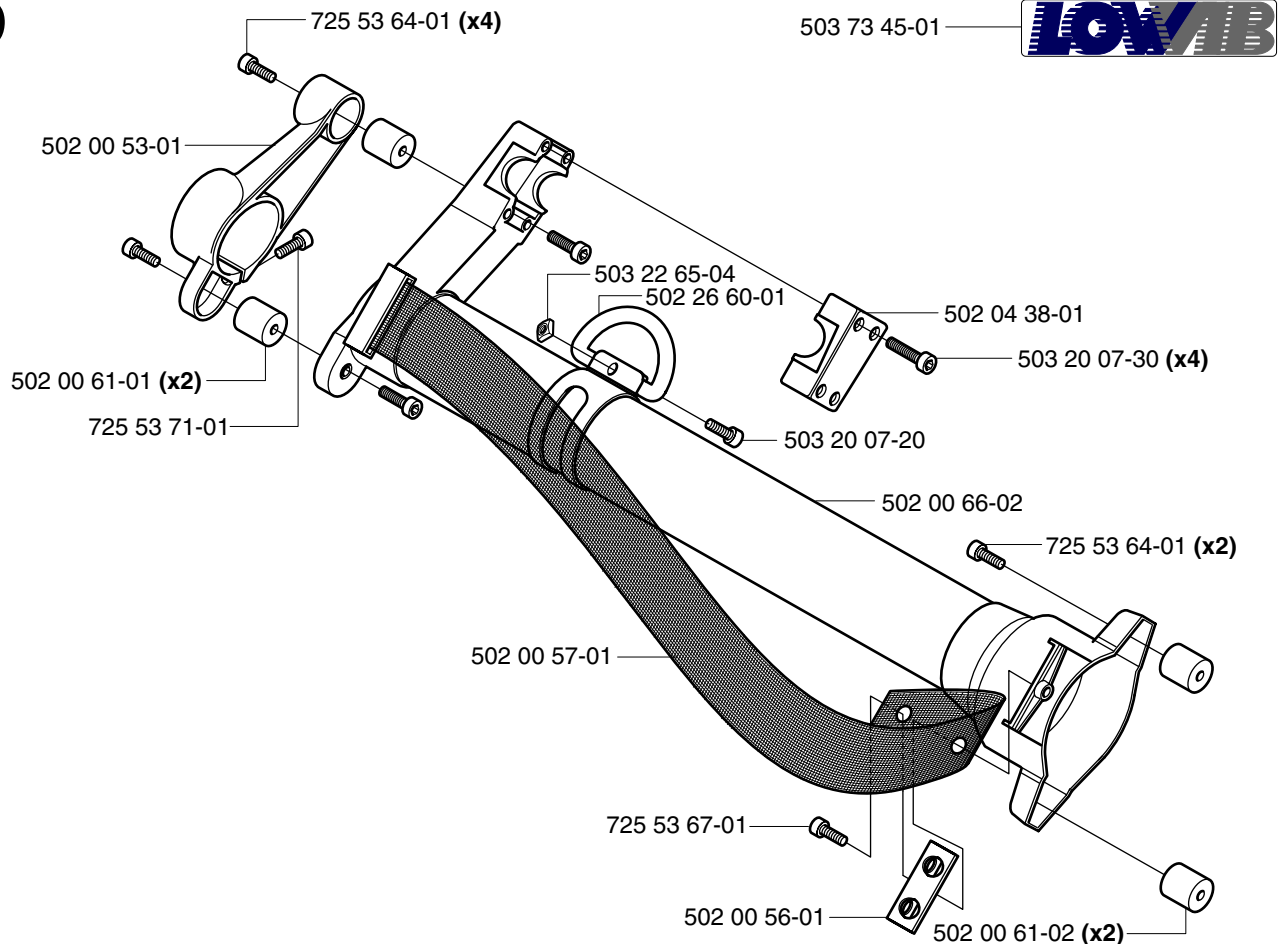
C

*compl 502 14 45-04

**compl 502 07 10-04



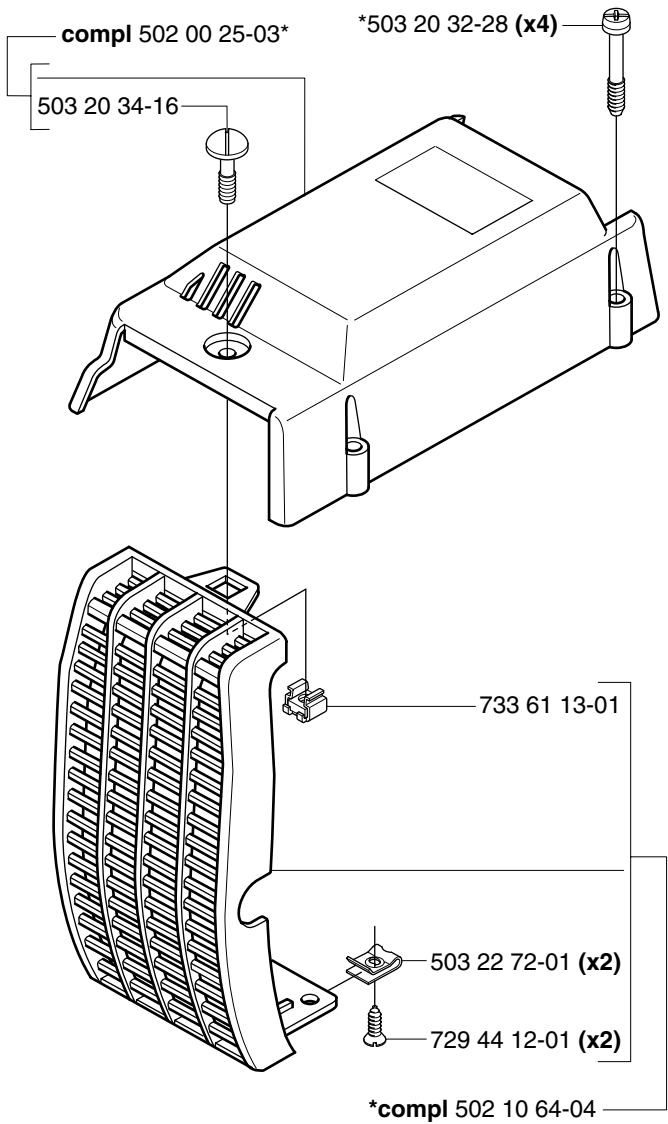
D



E

H L — 502 27 16-01

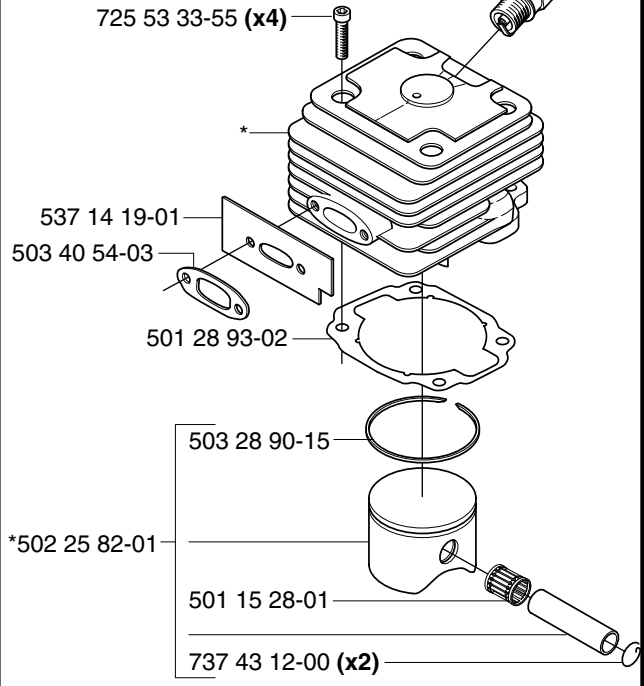
Husqvarna **265RX** — 502 26 76-01



F

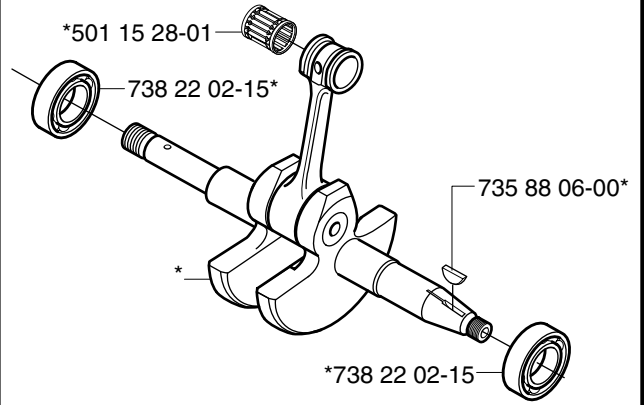
*compl 502 25 80-02

503 23 51-12
Champion RCJ7Y
503 23 51-11
NGK BPR7A



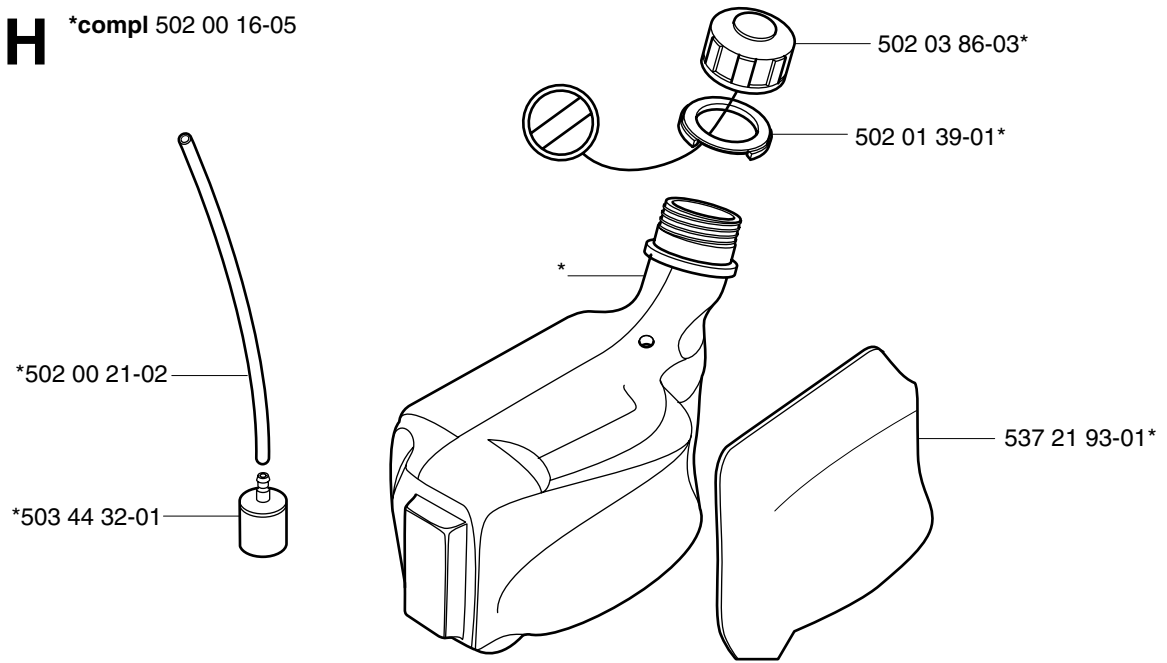
G

*compl 503 88 50-72

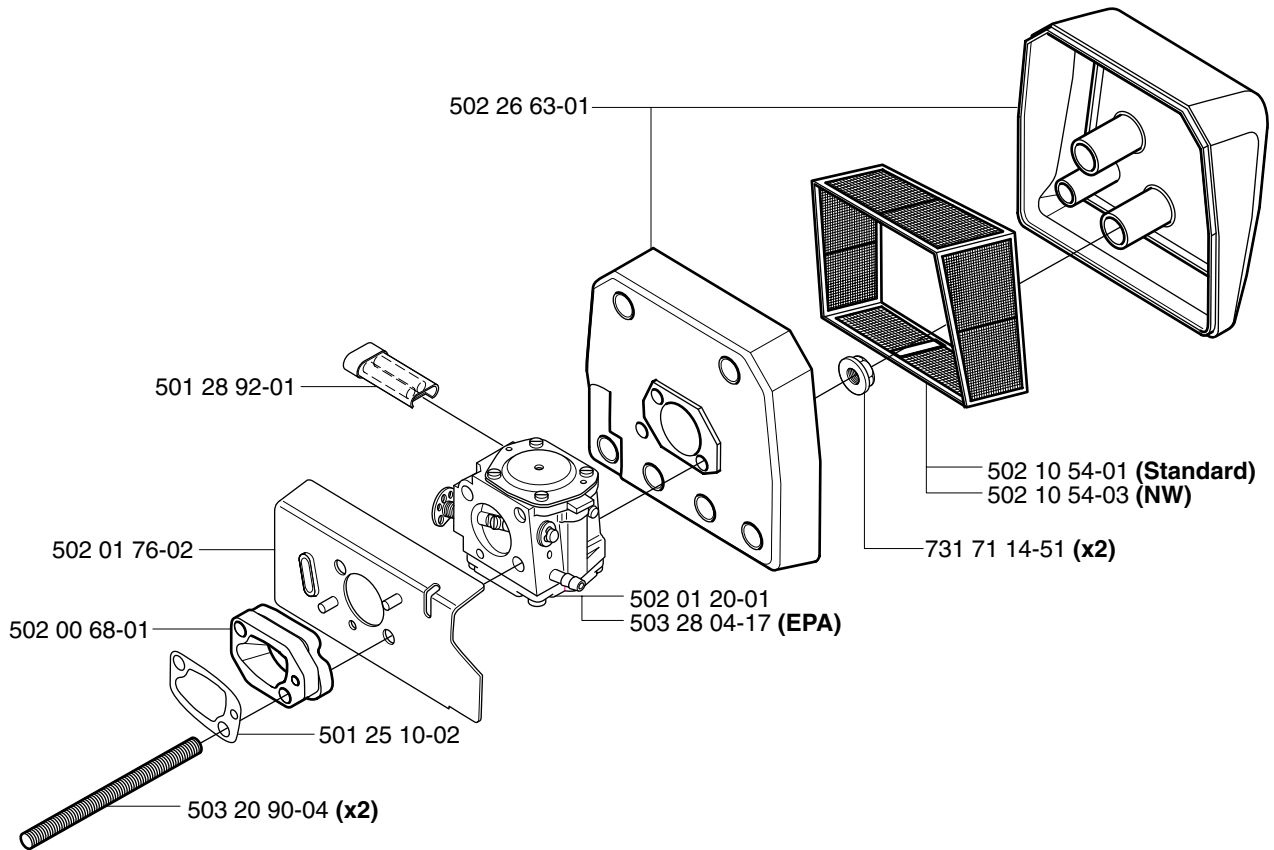


H

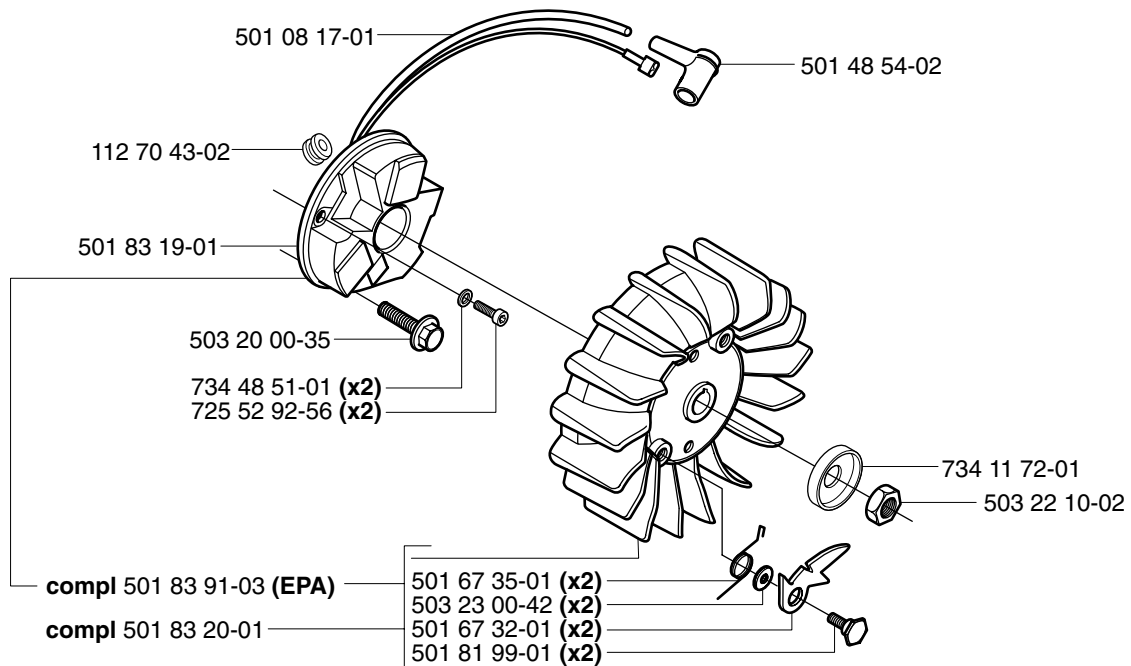
*compl 502 00 16-05



J

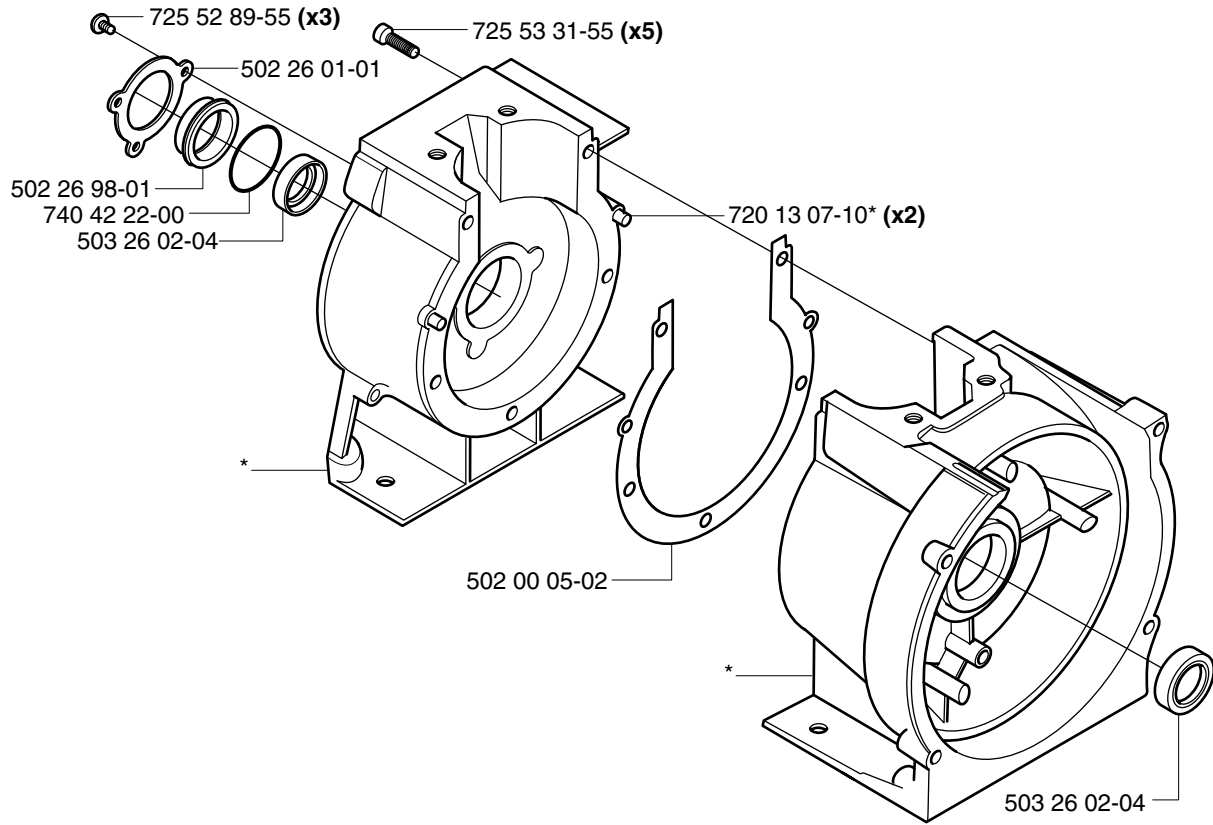


K



L

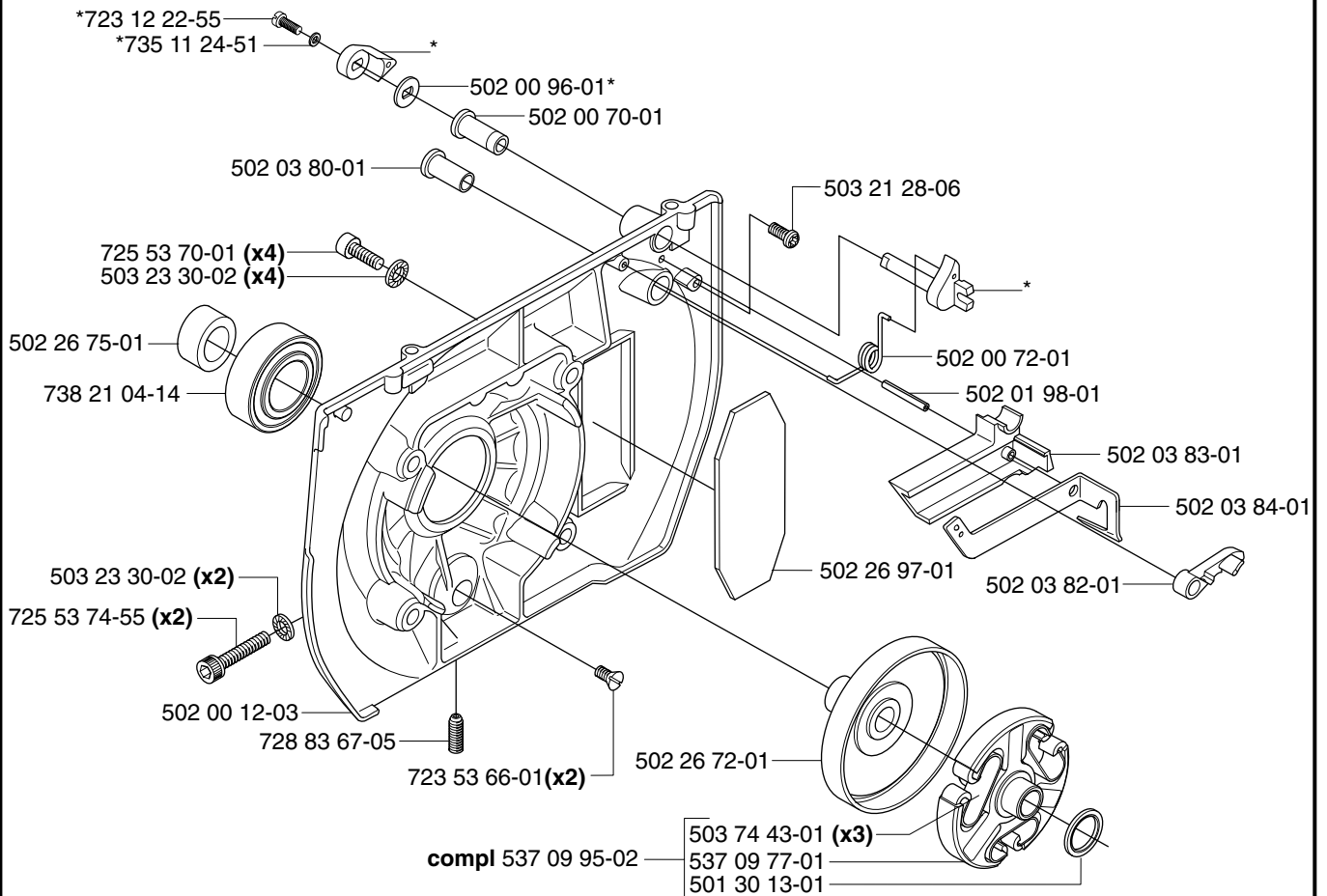
*compl 502 00 20-01



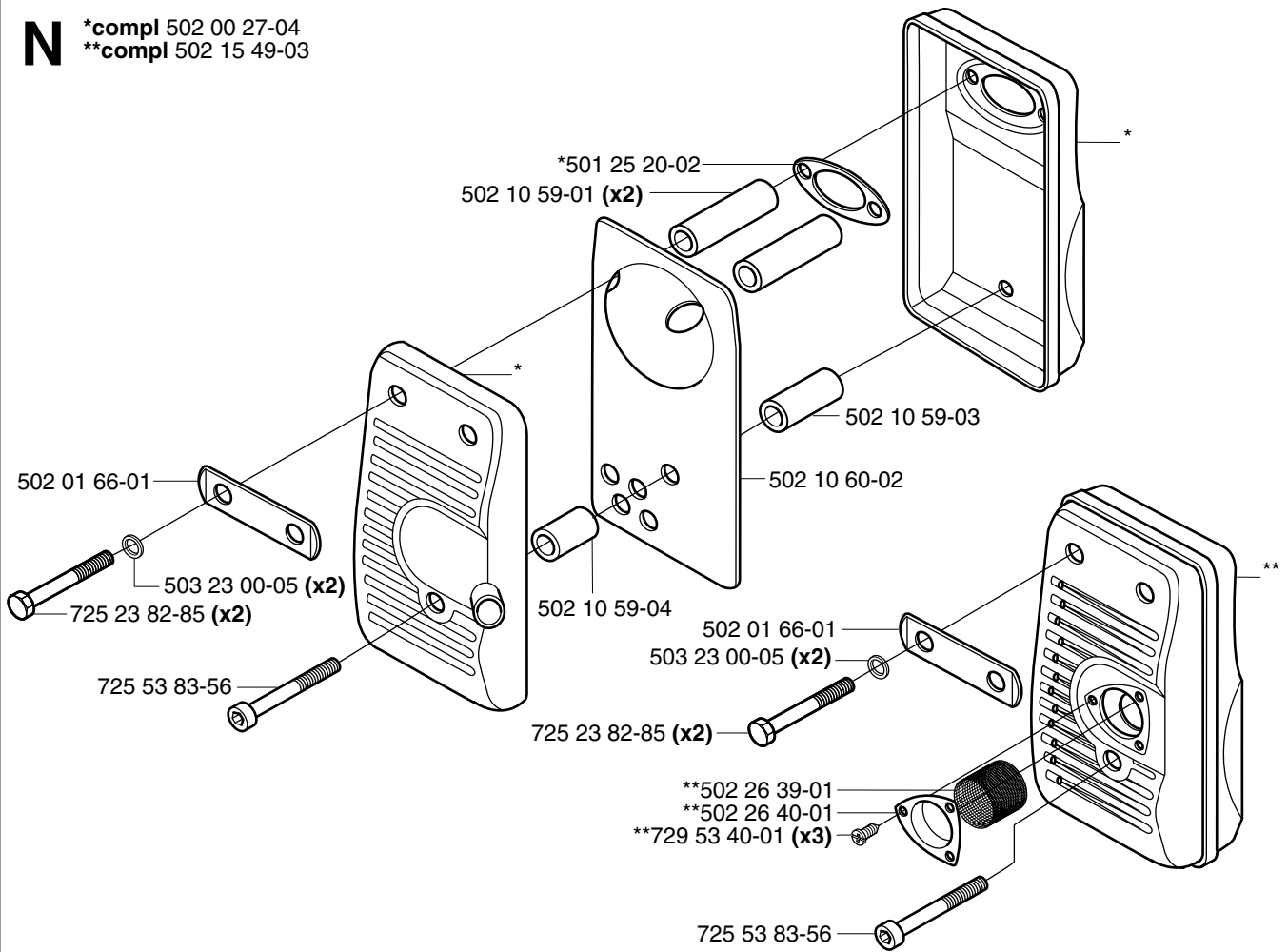
M

*compl 502 00 97-02

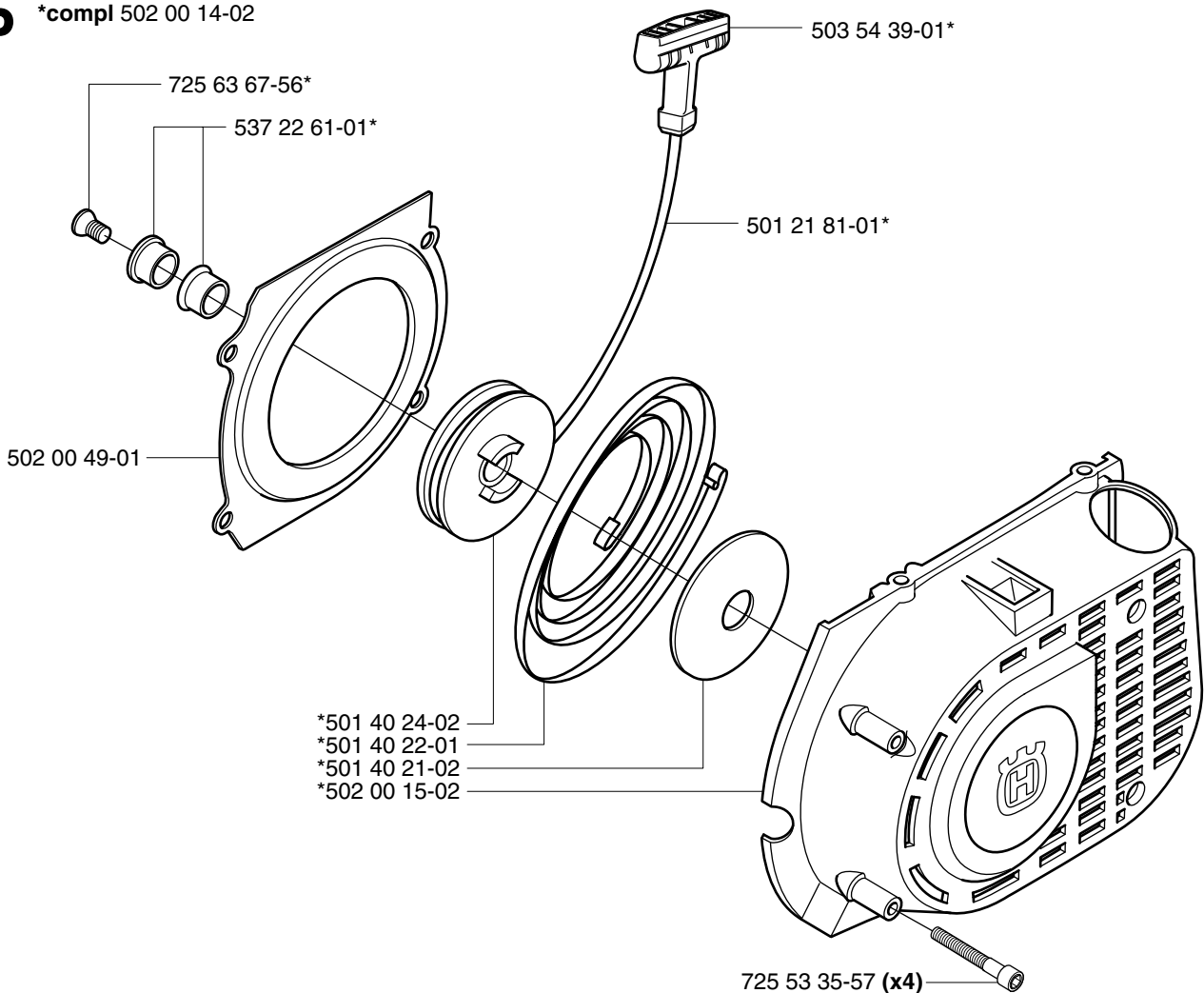
CHOKE — 502 27 15-01



N *compl 502 00 27-04
 **compl 502 15 49-03

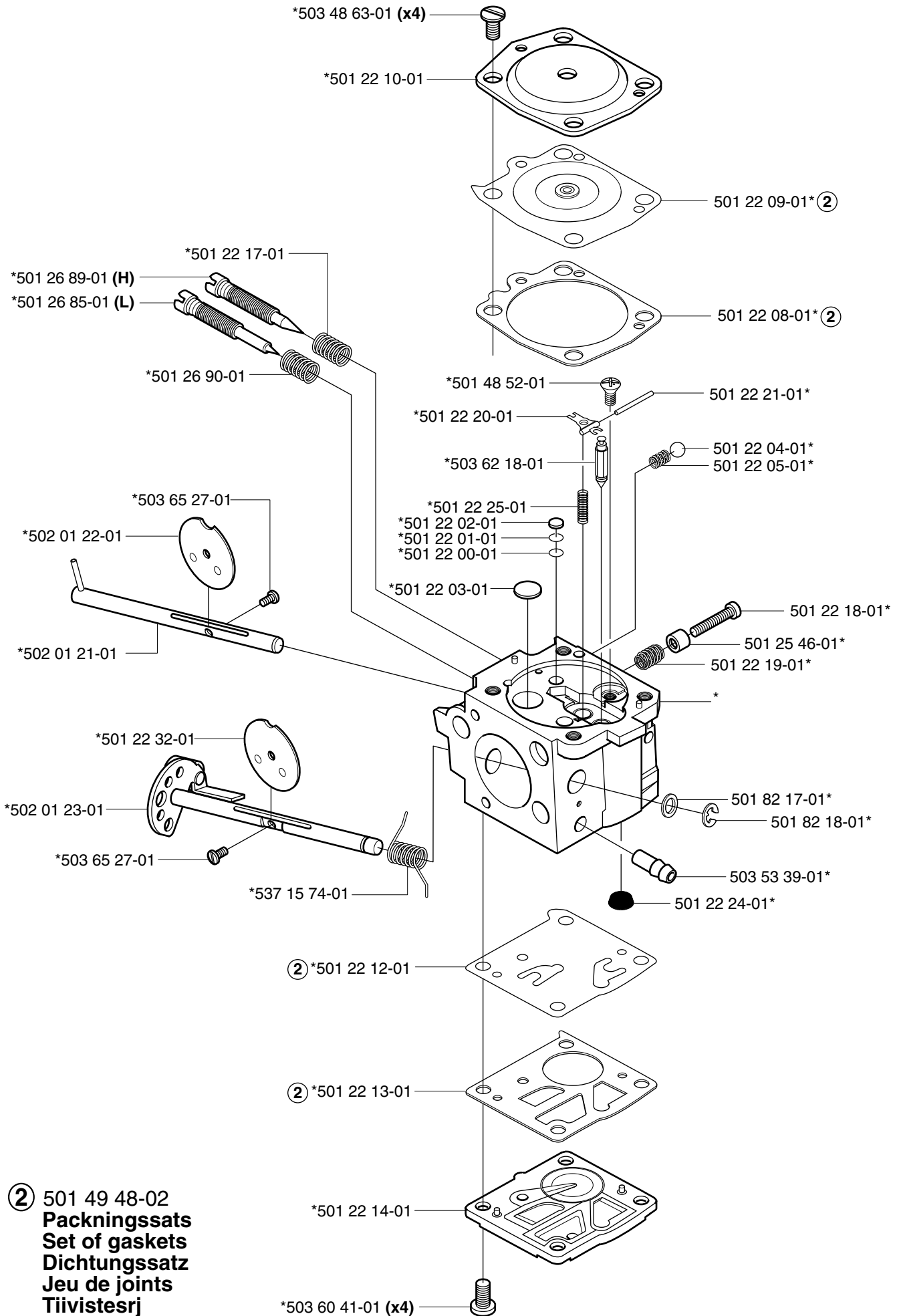


P *compl 502 00 14-02



Q *compl 502 01 20-01

Tillotson HS 121 A

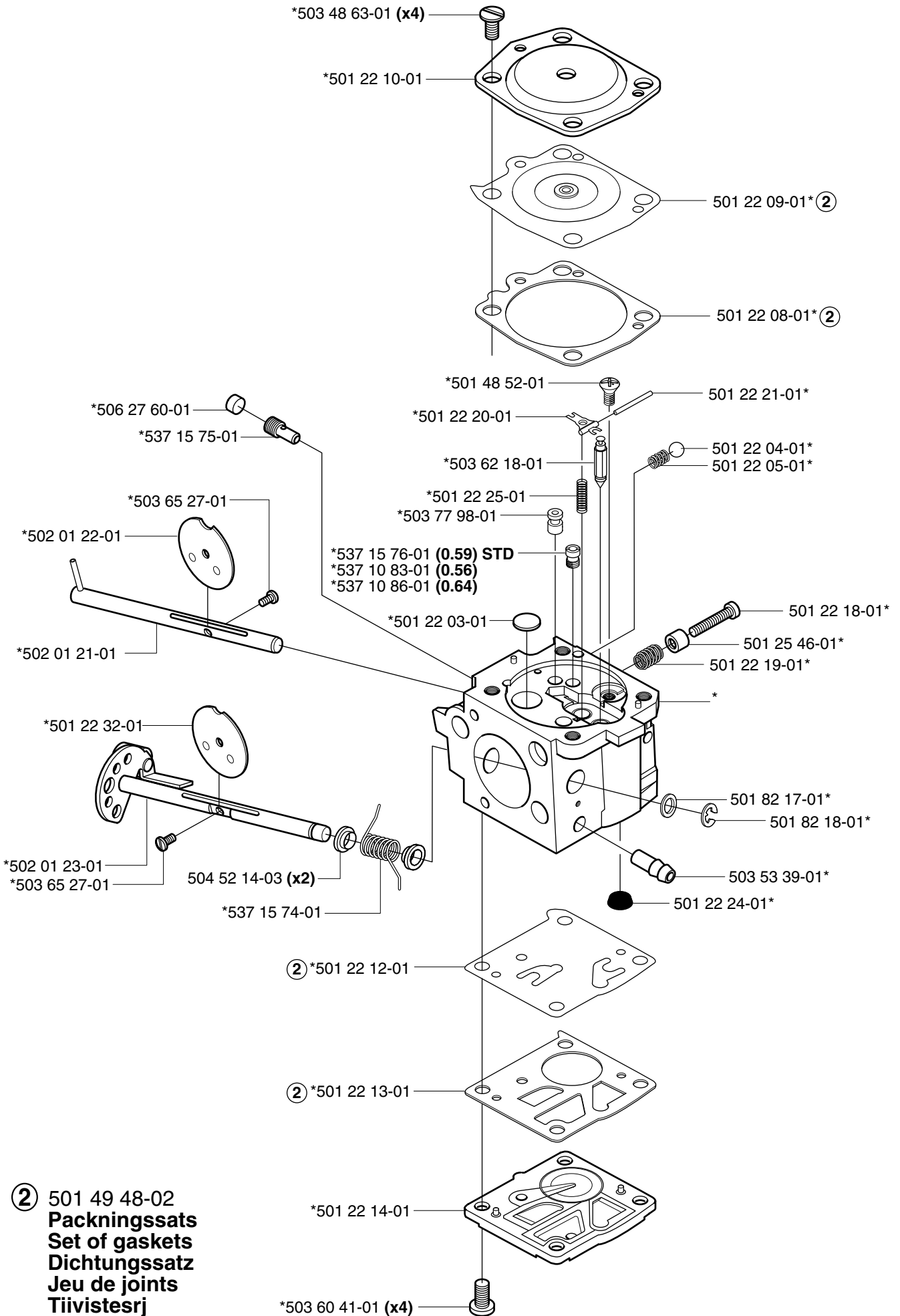


(2) 501 49 48-02
Packningssats
Set of gaskets
Dichtungssatz
Jeu de joints
Tiivistesrj

R

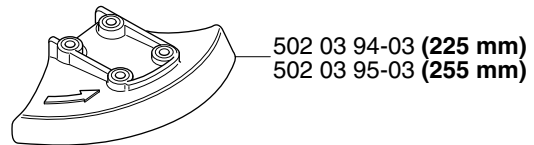
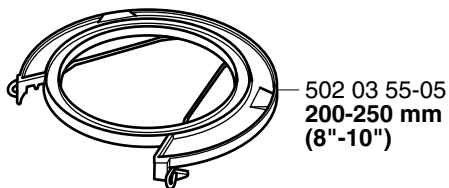
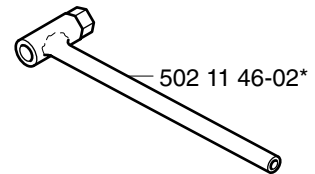
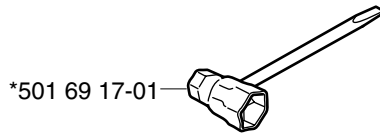
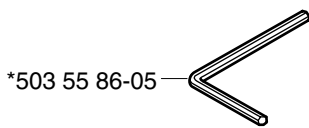
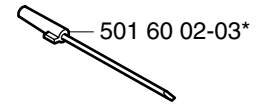
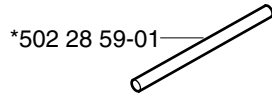
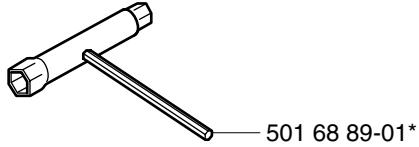
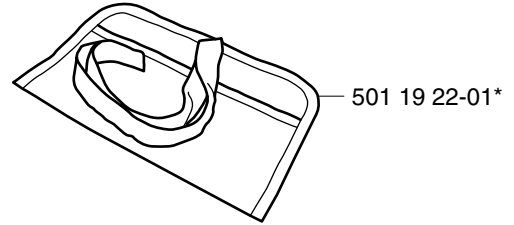
*compl 503 28 04-17 (EPA)

Tillotson HS 304 A

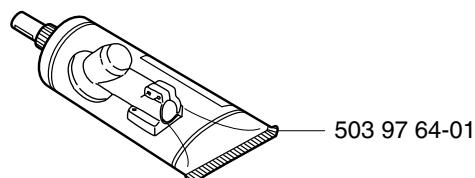


(2) 501 49 48-02
Packningssats
Set of gaskets
Dichtungssatz
Jeu de joints
Tiivistesrj

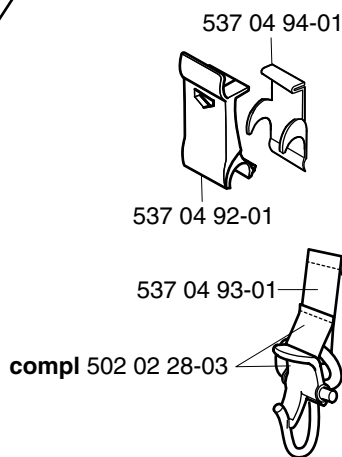
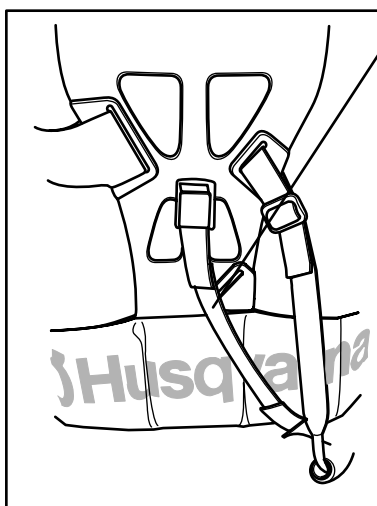
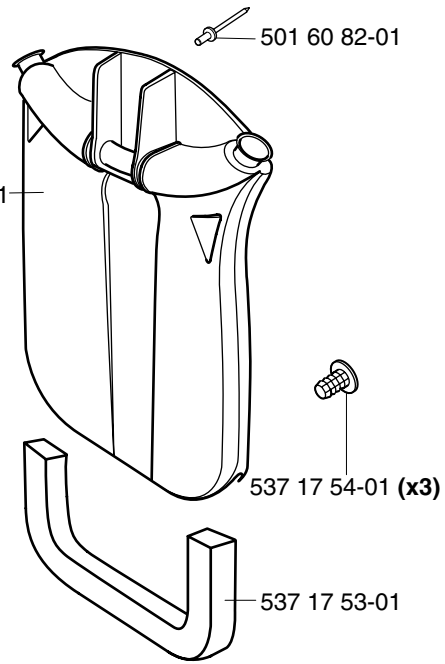
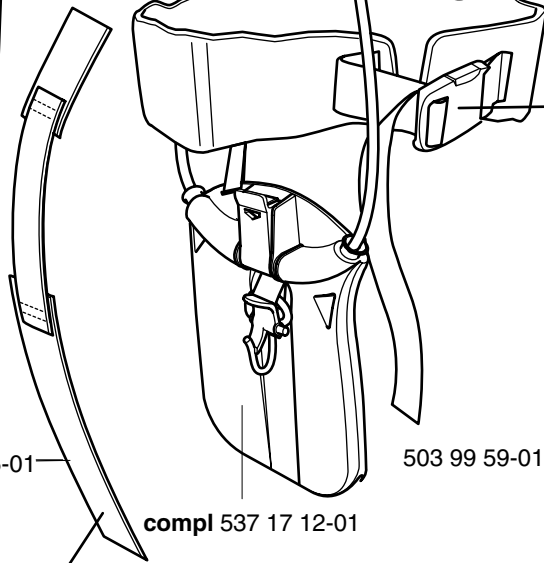
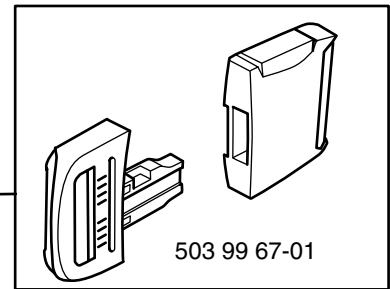
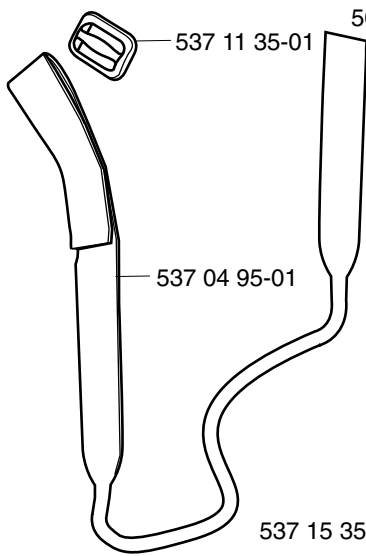
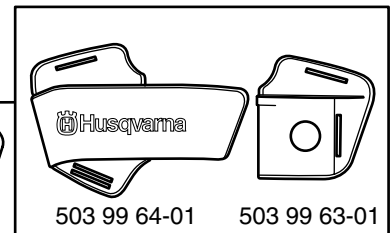
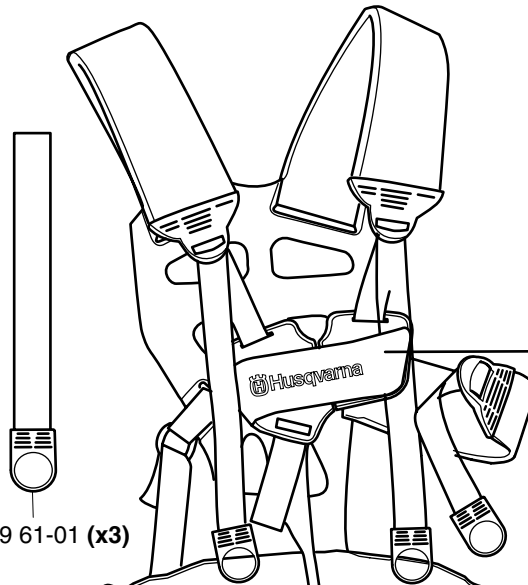
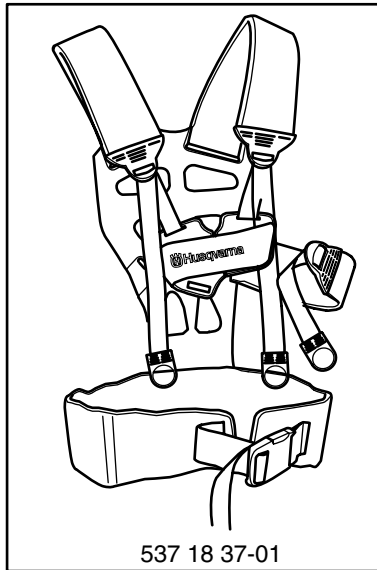
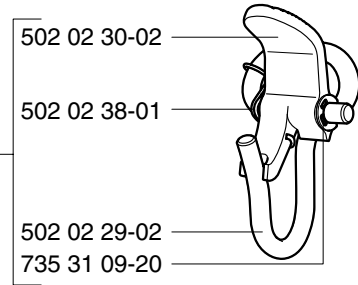
S Tillbehör
Accessories
Zubehöre
Accessoires
Accesorios
*compl 502 21 60-12



T Levereras endast som reservdel
Delivery as spare part only
Nur als Ersatzteil lieferbar
Livrabable seulement comme pièce de rechange
Solo como repuesto



U Tillbehör
Accessories
Zubehöre
Accessoires
Accesorios
 compl 531 00 92-08
 compl 531 00 92-09 US



For Husqvarna Parts Call 606-678-9623 or 606-561-4983

265 RX, 265 RX EPA

PART NUMBER	SQUARE NOTE	PART NUMBER	SQUARE NOTE	PART NUMBER	SQUARE NOTE	PART NUMBER	SQUARE NOTE
112 70 43-02	K	502 00 72-01	M	502 26 72-01	M	537 17 54-01	U N
501 08 17-01	K	502 00 96-01	M	502 26 75-01	M	537 18 37-01	U N
501 15 28-01	FG	502 00 97-02	M	502 26 76-01	E	537 21 93-01	H N
501 19 22-01	S	502 01 20-01	JQ	502 26 97-01	M	537 22 61-01	P N
501 21 81-01	P	502 01 21-01	QR	502 26 98-01	L	720 12 12-20	C
501 22 00-01	Q	502 01 22-01	QR	502 27 15-01	M	720 13 07-10	L
501 22 01-01	Q	502 01 23-01	QR	502 27 16-01	E	723 12 22-55	M
501 22 02-01	Q	502 01 39-01	H	502 28 59-01	S	723 53 66-01	M
501 22 03-01	QR	502 01 40-01	A	502 28 62-01	A	725 23 82-85	N
501 22 04-01	QR	502 01 66-01	N	503 20 00-35	K	725 52 89-55	L
501 22 05-01	QR	502 01 76-02	J	503 20 03-16	A N	725 52 92-56	K
501 22 08-01	QR	502 01 98-01	M	503 20 07-20	D N	725 53 29-55	A
501 22 09-01	QR	502 02 28-01	U	503 20 07-30	D N	725 53 31-55	L
501 22 10-01	QR	502 02 28-03	U N	503 20 32-28	E	725 53 33-55	F
501 22 12-01	QR	502 02 29-02	U	503 20 34-16	E	725 53 33-57	C N
501 22 13-01	QR	502 02 30-02	U	503 20 90-04	J	725 53 35-57	AP N
501 22 14-01	QR	502 02 38-01	U	503 21 28-06	M	725 53 64-01	D
501 22 17-01	Q	502 03 14-03	A	503 22 10-02	K	725 53 67-01	D
501 22 18-01	QR	502 03 55-05	S	503 22 65-04	D	725 53 70-01	M
501 22 19-01	QR	502 03 80-01	M	503 22 72-01	E	725 53 71-01	D
501 22 20-01	QR	502 03 81-01	C	503 23 00-05	N	725 53 74-55	M
501 22 21-01	QR	502 03 82-01	M	503 23 00-42	K	725 53 83-56	N
501 22 24-01	QR	502 03 83-01	M	503 23 30-02	M	725 63 67-56	P
501 22 25-01	QR	502 03 84-01	M	503 23 51-11	F	728 83 67-05	M
501 22 32-01	QR	502 03 86-03	H	503 23 51-12	F	729 42 81-01	C
501 25 10-02	J	502 03 94-03	S	503 26 02-04	L	729 44 12-01	E
501 25 20-02	N	502 03 95-03	S	503 28 04-17	JR	729 52 89-71	C
501 25 46-01	QR	502 04 38-01	D	503 28 90-15	F	729 53 40-01	N
501 26 85-01	Q	502 04 55-01	A	503 40 54-03	F	731 23 14-05	C
501 26 89-01	Q	502 06 28-01	C	503 44 32-01	H	731 71 14-51	J
501 26 90-01	Q	502 07 10-04	C	503 48 63-01	QR	733 61 13-01	E
501 28 92-01	J	502 10 54-01	J	503 53 39-01	QR	734 11 72-01	K
501 28 93-02	F	502 10 54-03	J	503 54 39-01	P	734 48 51-01	K
501 30 13-01	M	502 10 59-01	N	503 55 86-05	S	735 11 24-51	M
501 40 21-02	P	502 10 59-03	N	503 60 41-01	QR	735 31 09-20	U
501 40 22-01	P	502 10 59-04	N	503 62 18-01	QR	735 31 17-00	A
501 40 24-02	P	502 10 60-02	N	503 65 27-01	QR	735 58 52-00	C
501 48 52-01	QR	502 10 64-04	E	503 73 45-01	D	735 88 06-00	G
501 48 54-02	K	502 10 68-03	C	503 74 43-01	M	737 43 12-00	F
501 49 48-02	QR	502 10 70-07	A	503 77 98-01	R	738 21 04-00	A
501 60 02-03	S	502 10 71-02	A	503 88 50-72	G	738 21 04-14	M
501 60 82-01	U N	502 10 72-03	A	503 97 64-01	T	738 22 02-15	G
501 67 32-01	K	502 10 77-01	A	503 99 59-01	U N	738 22 02-19	A
501 67 35-01	K	502 11 46-02	S	503 99 61-01	U N	738 22 02-25	A
501 68 89-01	S	502 11 59-02	A	503 99 63-01	U N	740 42 22-00	L
501 69 17-01	S	502 12 24-01	A	503 99 64-01	U N	740 42 24-00	A
501 81 99-01	K	502 14 44-01	C	503 99 67-01	U N	740 44 08-00	A
501 82 17-01	QR	502 14 45-04	C	504 52 14-03	R	740 48 25-03	A
501 82 18-01	QR	502 14 47-01	C	506 27 60-01	R	740 51 13-01	A
501 83 19-01	K	502 14 50-01	C	531 00 92-08	U N		
501 83 20-01	K	502 14 51-02	C	531 00 92-09	U N		
501 83 91-03	K	502 15 49-03	N	537 01 40-05	B		
502 00 05-02	L	502 17 09-04	C	537 02 76-02	B		
502 00 12-03	M	502 17 50-05	C	537 04 92-01	U N		
502 00 14-02	P	502 17 52-03	C	537 04 93-01	U N		
502 00 15-02	P	502 21 60-12	S	537 04 94-01	U N		
502 00 16-05	H N	502 22 03-02	A	537 04 95-01	U N		
502 00 20-01	L	502 22 69-01	A	537 09 77-01	M		
502 00 21-02	H	502 22 70-01	A	537 09 95-02	M N		
502 00 25-03	E	502 22 80-01	A	537 10 43-01	C		
502 00 27-04	N	502 25 25-02	B	537 10 83-01	R		
502 00 49-01	P	502 25 41-02	A	537 10 86-01	R		
502 00 53-01	D	502 25 80-02	F	537 11 35-01	U N		
502 00 56-01	D	502 25 82-01	F	537 14 19-01	F		
502 00 57-01	D	502 26 01-01	L	537 15 35-01	U N		
502 00 61-01	D	502 26 39-01	N	537 15 74-01	QR		
502 00 61-02	D	502 26 40-01	N	537 15 75-01	R		
502 00 66-02	D	502 26 45-03	C	537 15 76-01	R		
502 00 68-01	J	502 26 60-01	D	537 17 12-01	U N		
502 00 70-01	M	502 26 63-01	J	537 17 53-01	U N		

N = New part, Neues teil
Nouvelle piece, Nueva pieza
Ny detalj

EPA = Environmental Protection Agency
(for USA only)