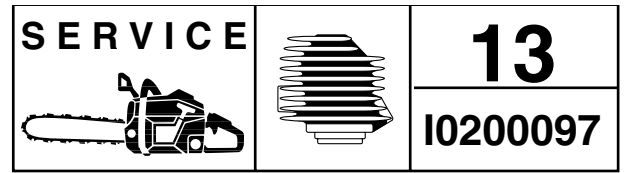


For Husqvarna Parts Call 606-678-9623 or 606-561-4983



IPL, 323 P 4, 325 P 4X-SERIES, 325 P 5X-SERIES, Saw attachment, 2002-05, 106 26 35-63

323P4

325P4

X-SERIES

325P5

X-SERIES

Saw attachment

Spare parts

Ersatzteile

Pièces détachées

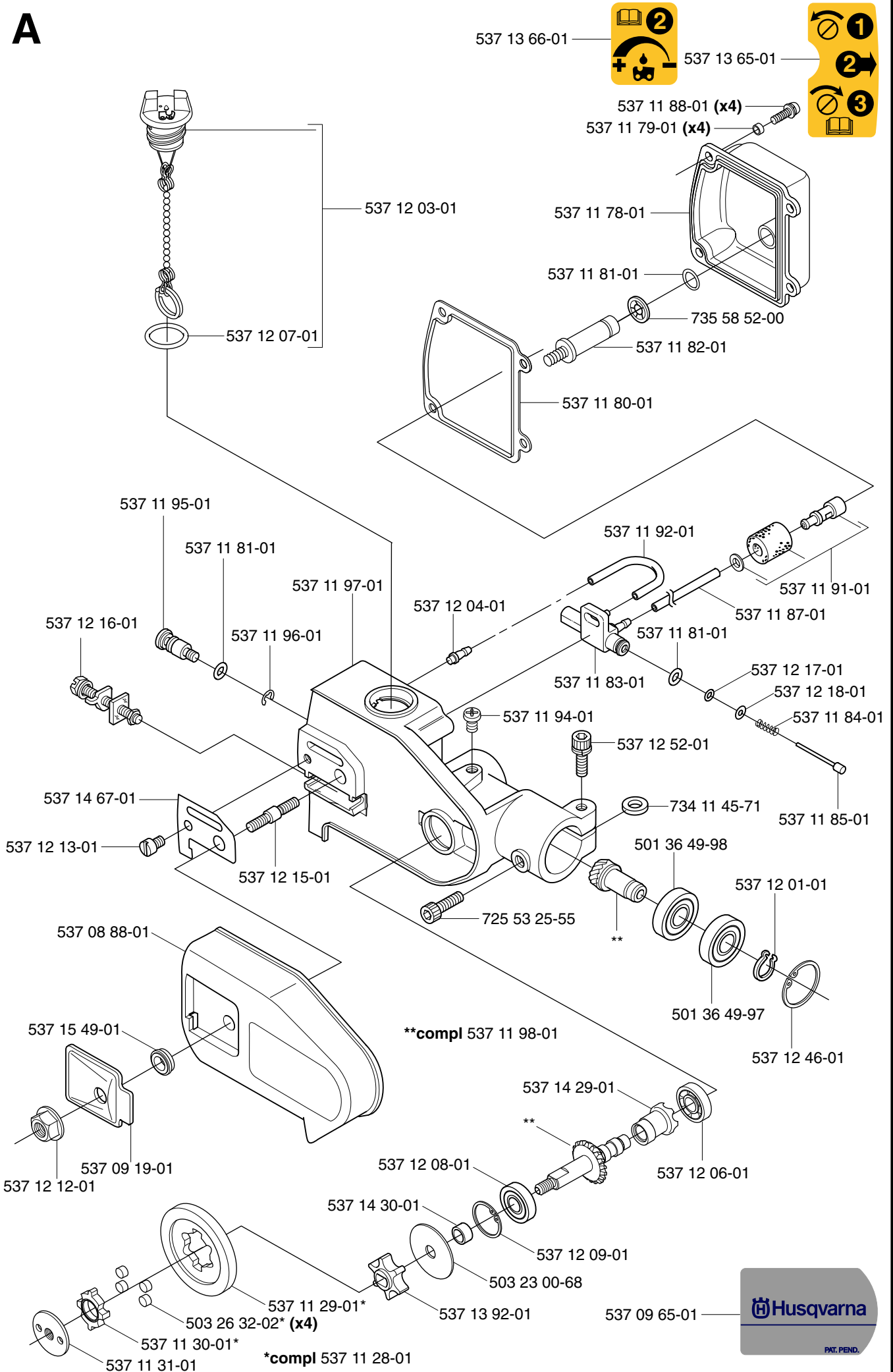
Reserve onderdelen

Repuestos

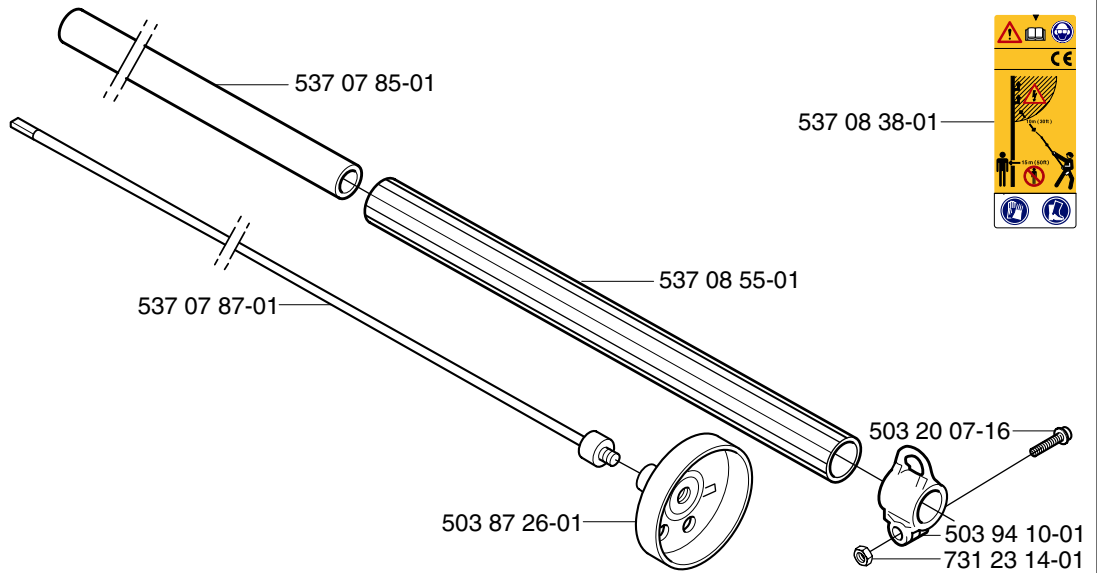
Reservdelar

106 26 35-63

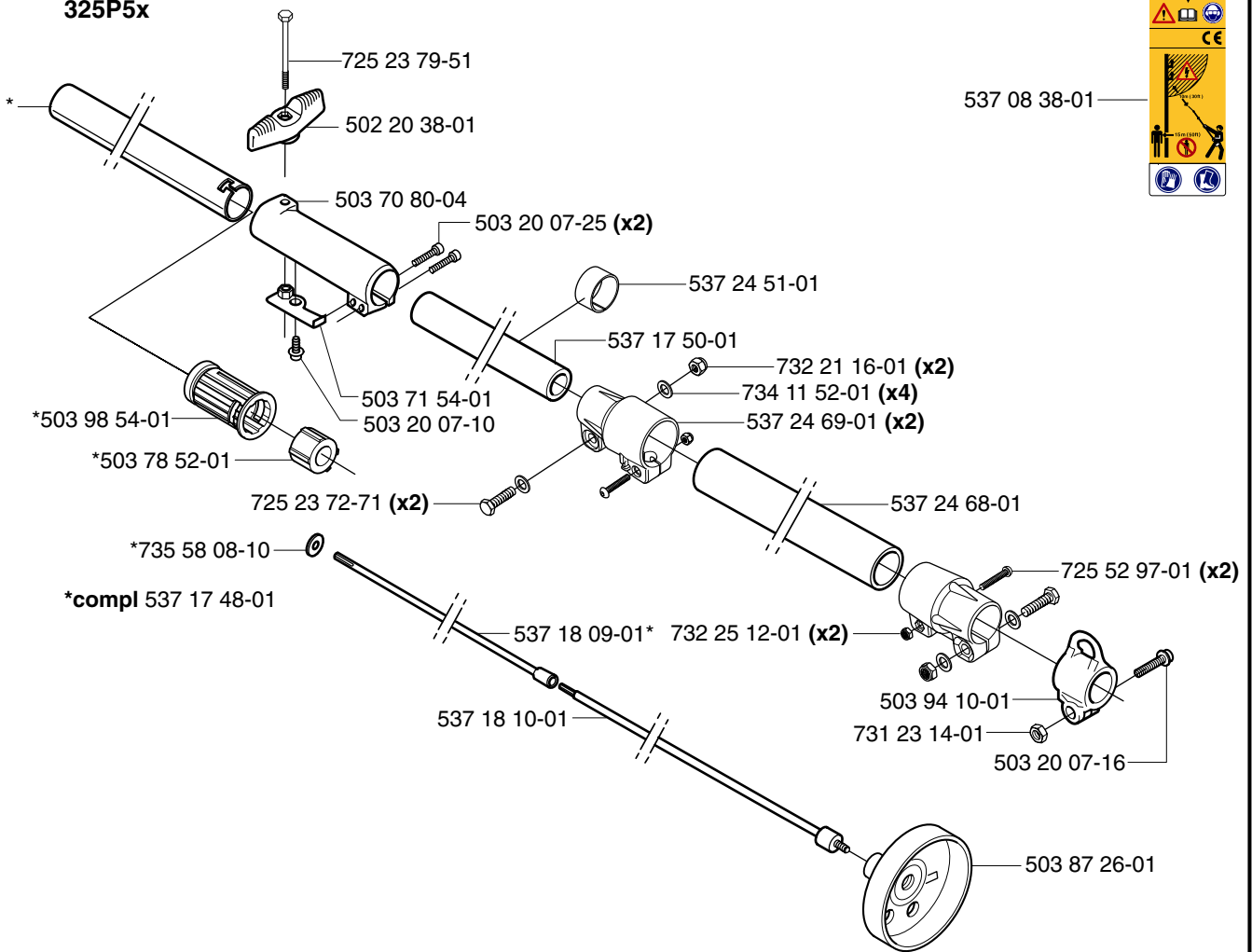
A



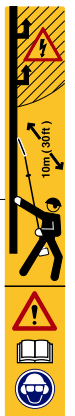
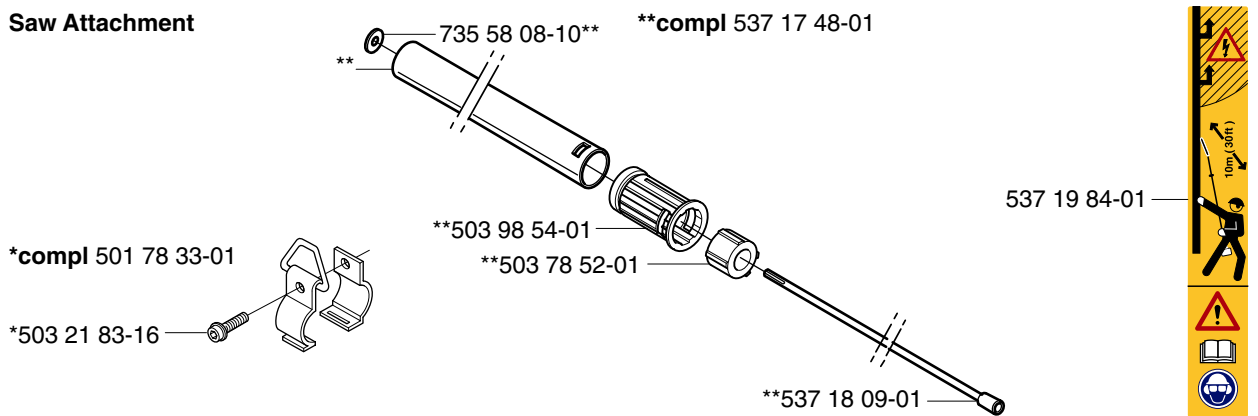
B 323P4, 325P4x



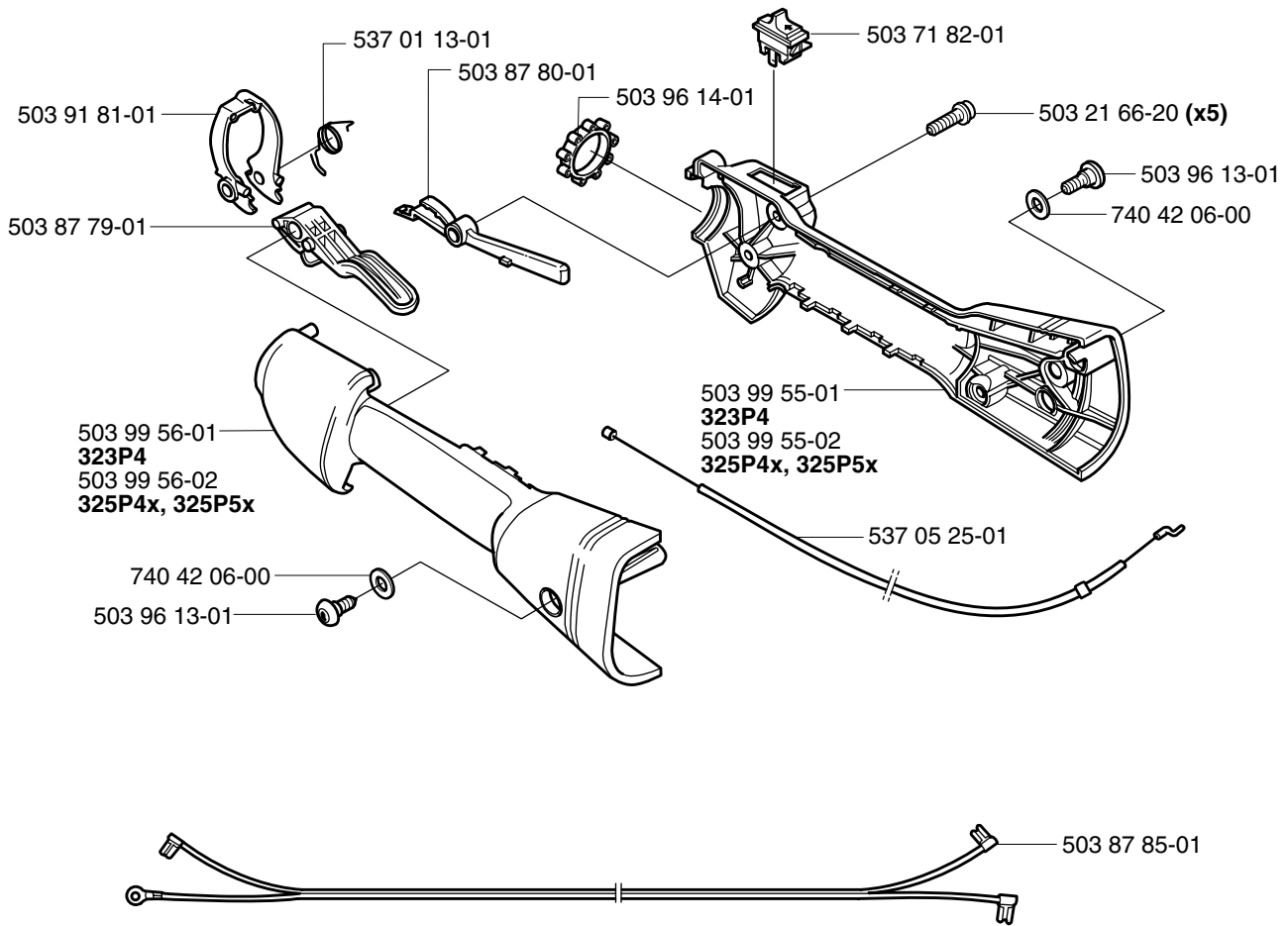
325P5x



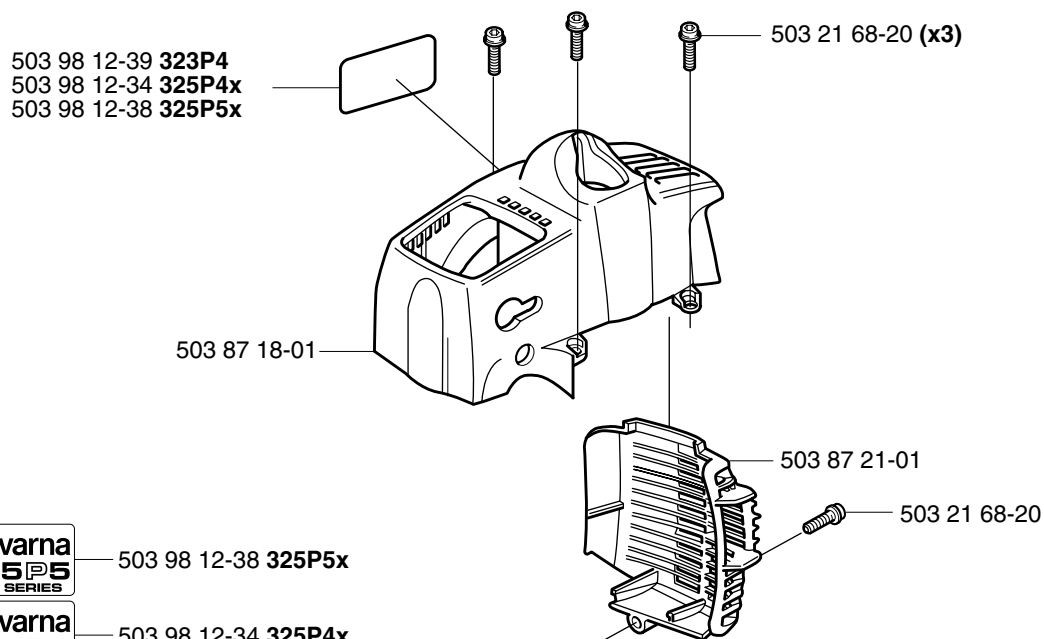
Saw Attachment






C

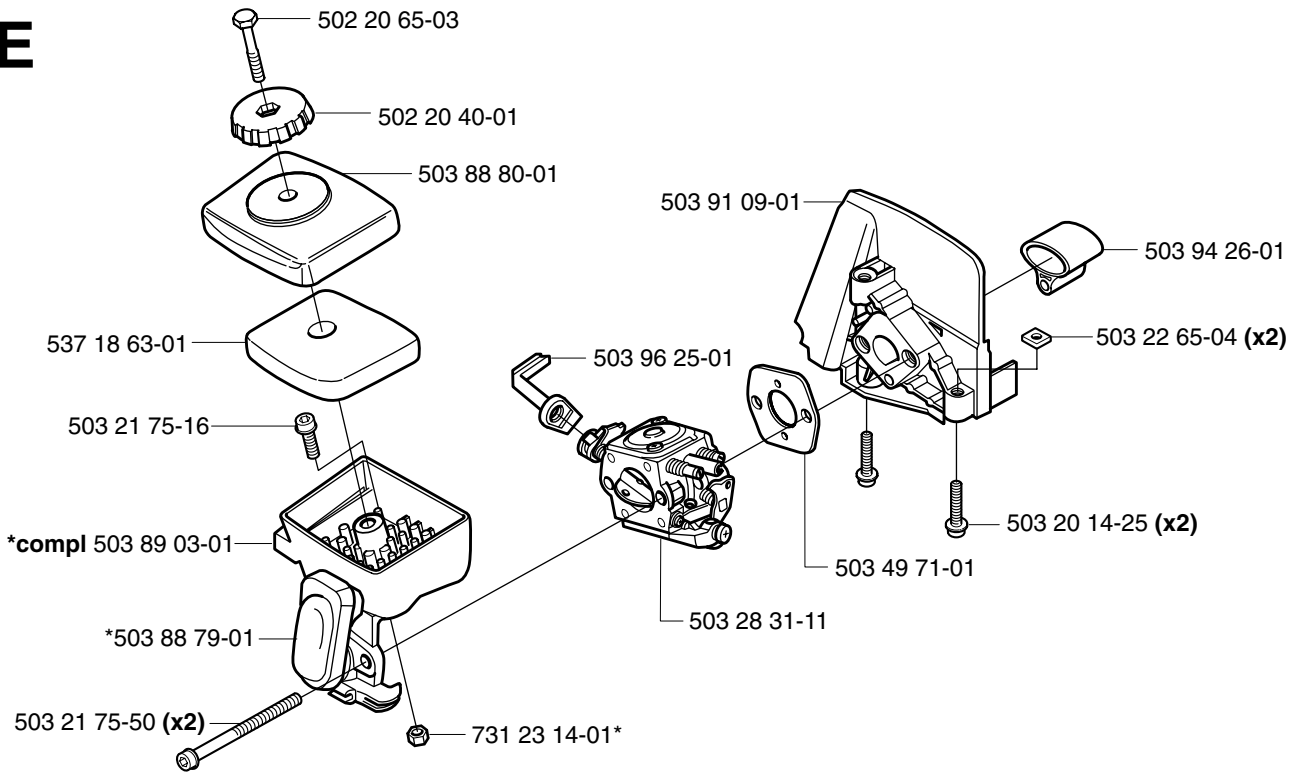


D

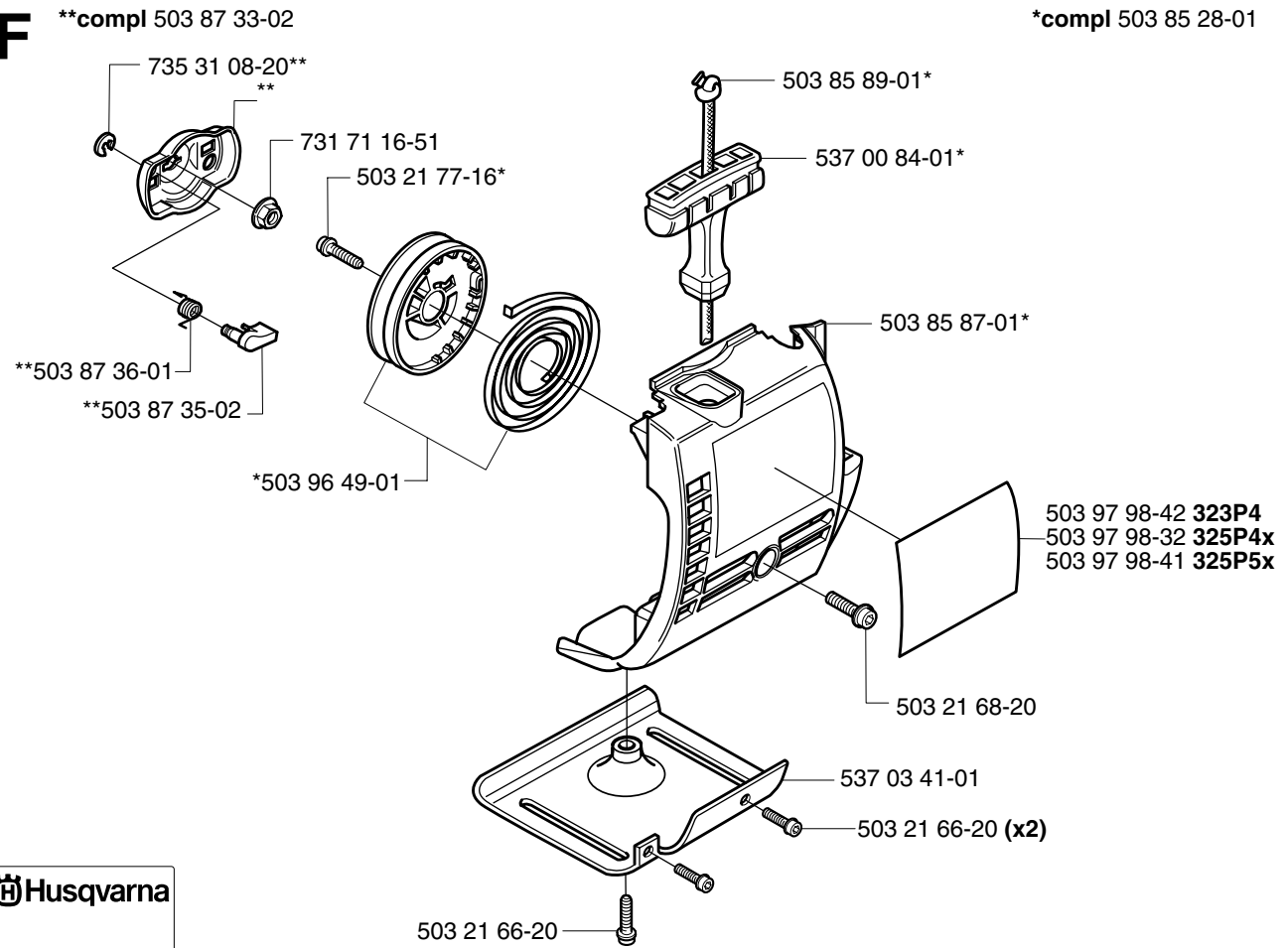


-  **Husqvarna**
325P5
X-SERIES — 503 98 12-38 325P5x
-  **Husqvarna**
325P4
X-SERIES — 503 98 12-34 325P4x
-  **Husqvarna**
323P4 — 503 98 12-39 323P4

E



F



Husqvarna
323P4
PAT. PEND.

503 97 98-42 323P4

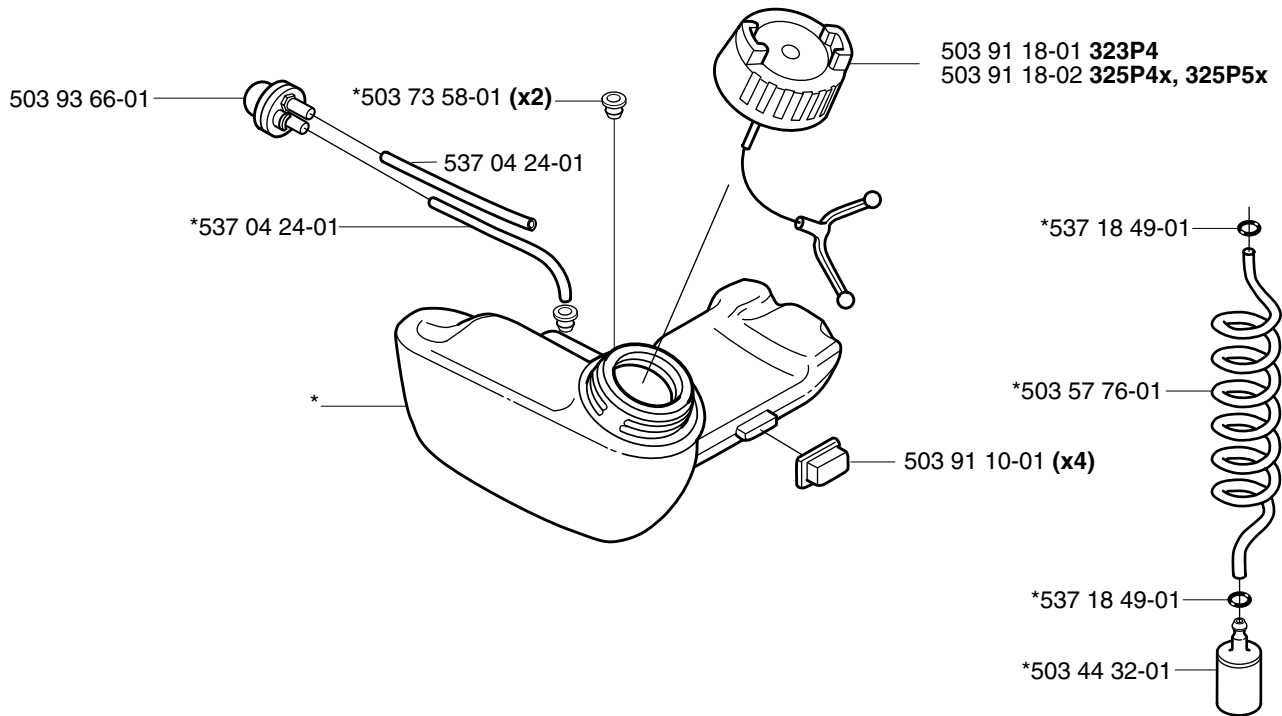
Husqvarna
E-tech
325P4
PAT. PEND.
 X - SERIES

503 97 98-32 325P4x

Husqvarna
E-tech
325P5
PAT. PEND.
 X - SERIES

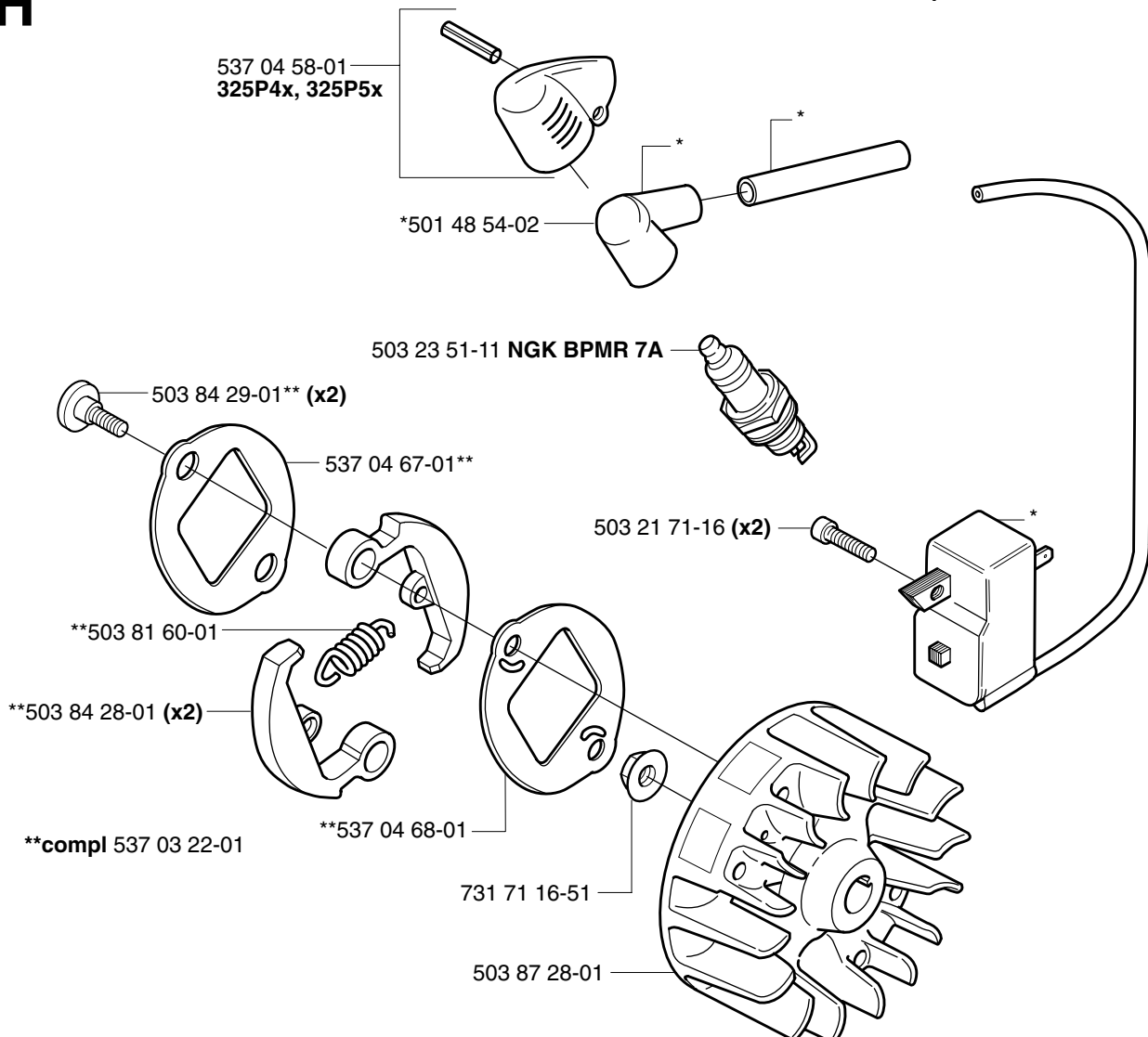
503 97 98-41 325P5x

G *compl 537 06 86-02



H

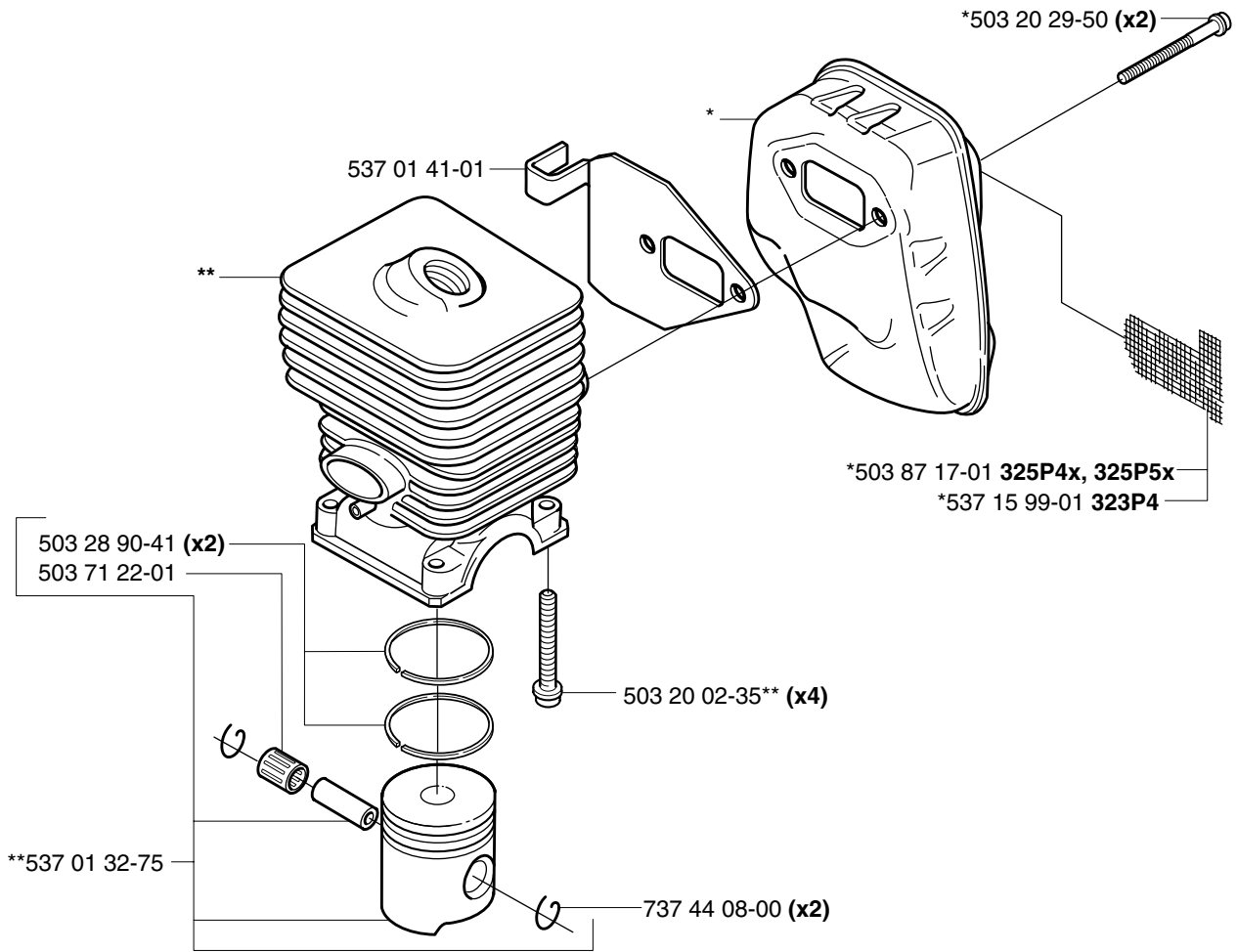
* compl 537 04 23-01



J

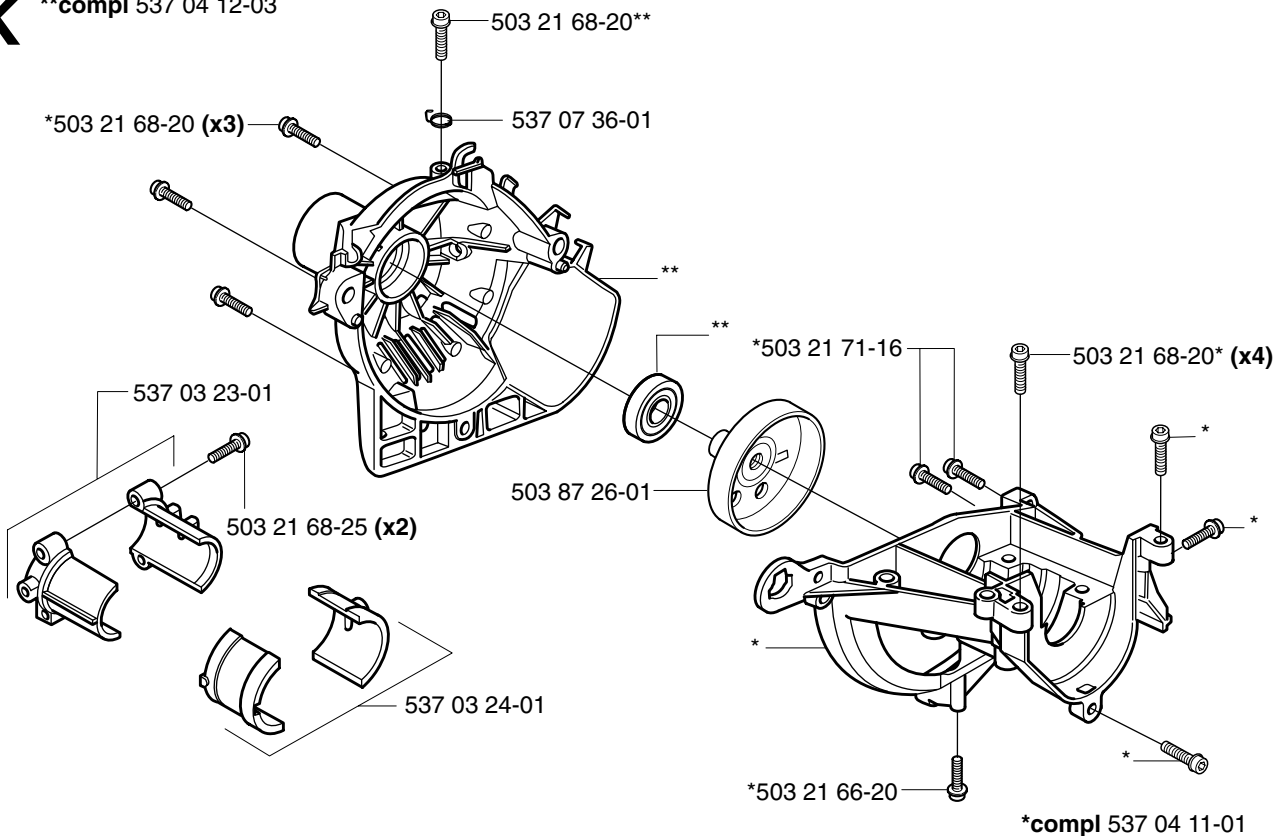
**compl 537 03 20-05

*compl 537 03 94-01 325P4x, 325P5x
*compl 537 16 19-01 323P4



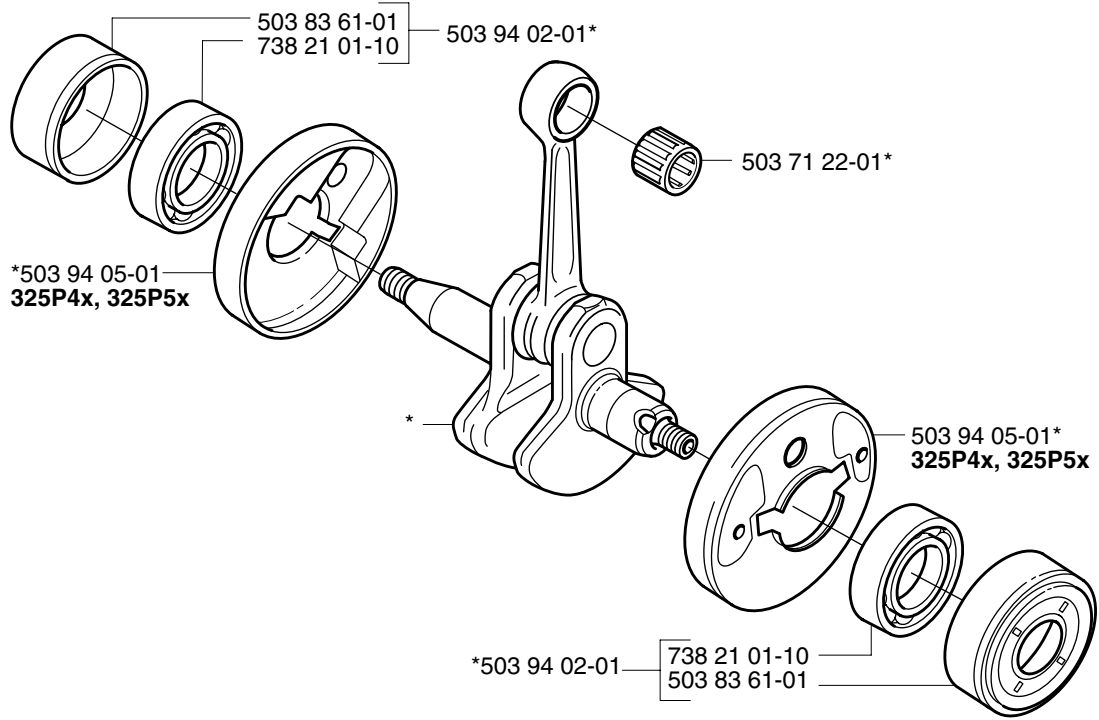
K

**compl 537 04 12-03



L

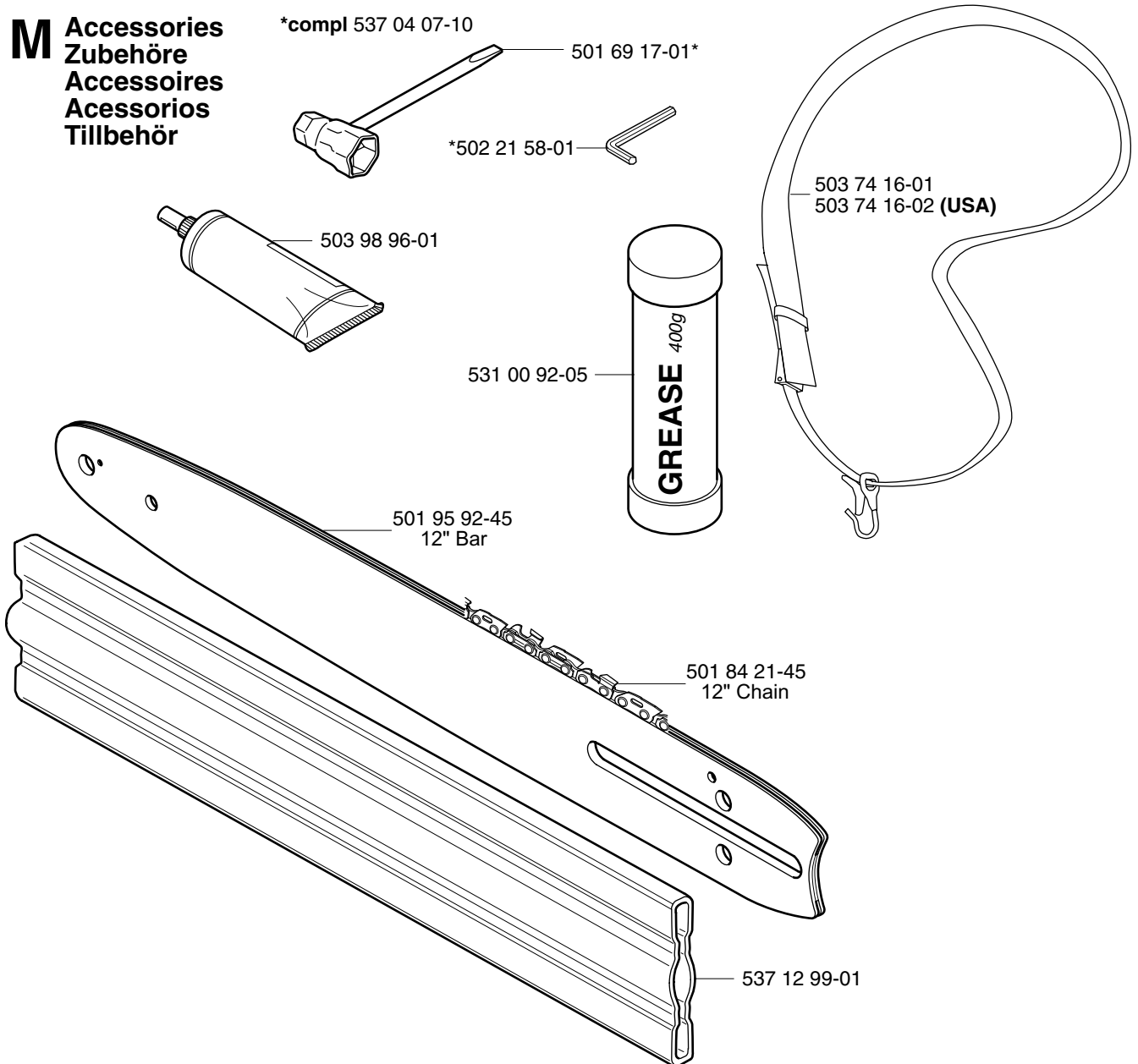
*compl 503 85 24-74



M

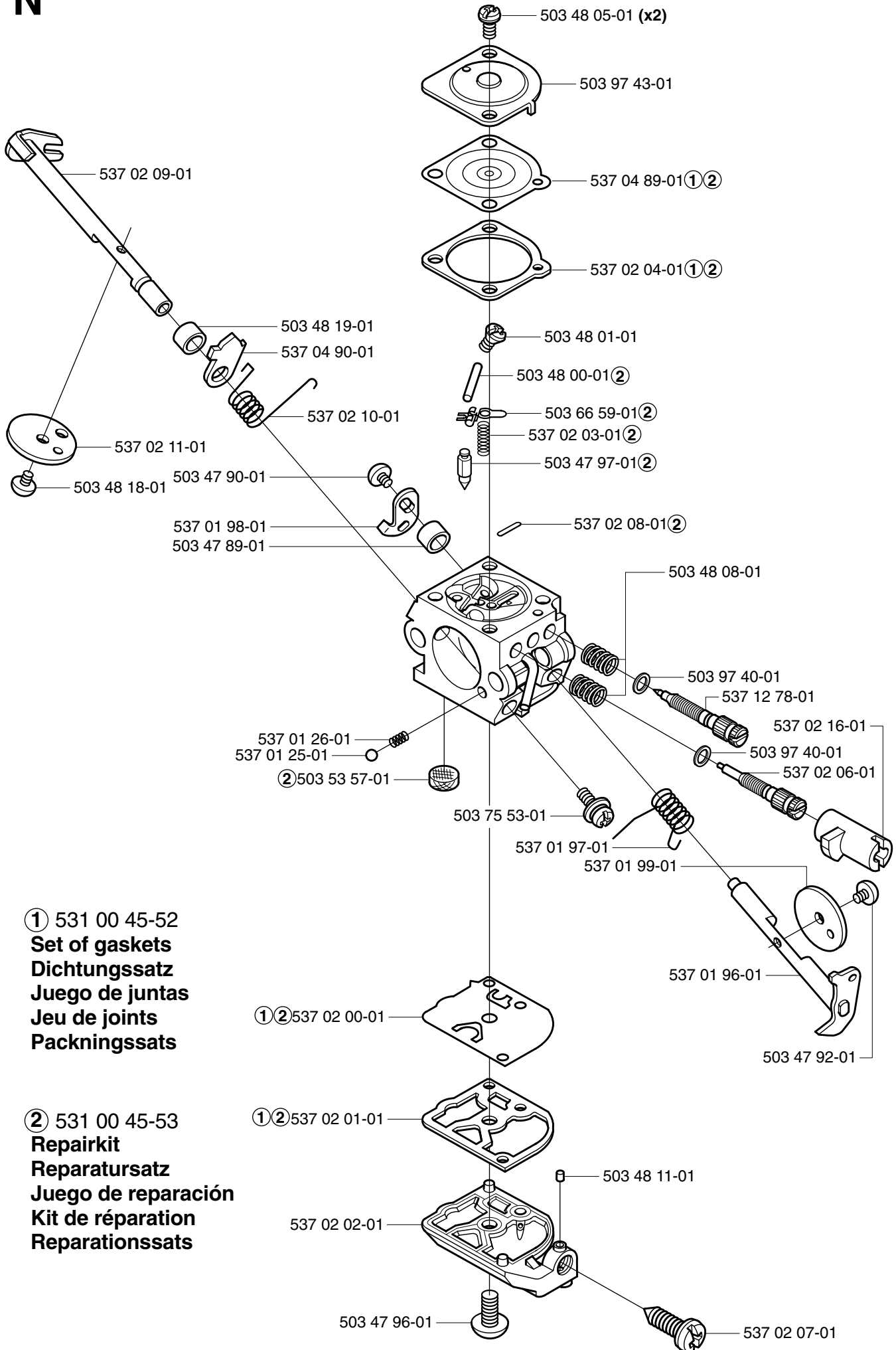
**Accessories
Zubehöre
Accessoires
Accesorios
Tillbehör**

*compl 537 04 07-10



N compl 503 28 31-11

ZAMA C1Q - EL 12



① 531 00 45-52
Set of gaskets
Dichtungssatz
Juego de juntas
Jeu de joints
Packningssats

② 531 00 45-53
Repairkit
Reparatursatz
Juego de reparación
Kit de réparation
Reparationsssats

For Husqvarna Parts Call 606-678-9623 or 606-561-4983

323P4, 325P4_x-SERIES, 325P5_x-SERIES. Saw attachment

PART NUMBER	SQUARE NOTE	PART NUMBER	SQUARE NOTE	PART NUMBER	SQUARE NOTE	PART NUMBER	SQUARE NOTE
501 36 49-97	A	503 87 26-01	BL	537 04 11-01	K	537 18 63-01	E N
501 36 49-98	A	503 87 28-01	H	537 04 12-03	K	537 19 84-01	B
501 48 54-02	H	503 87 33-02	F	537 04 23-01	H	537 24 51-01	B N
501 69 17-01	M	503 87 35-02	F	537 04 24-01	G	537 24 68-01	B N
501 78 33-01	B	503 87 36-01	F	537 04 58-01	H	537 24 69-01	B N
501 84 21-40	M	503 87 79-01	C	537 04 67-01	H	725 23 72-71	B N
501 84 21-45	M	503 87 80-01	C	537 04 68-01	H	725 23 79-51	B N
501 95 92-40	M	503 87 85-01	C	537 04 89-01	N	725 52 97-01	B N
501 95 92-45	M	503 88 79-01	E	537 04 90-01	N	725 53 25-55	A
502 20 40-01	E	503 88 80-01	E	537 05 25-01	C	731 23 14-01	BF
502 20 65-03	E	503 89 03-01	E	537 07 36-01	K	731 71 16-51	FI
502 21 58-01	M	503 91 09-01	E	537 07 85-01	B	732 21 16-01	B N
503 20 02-35	J	503 91 10-01	G	537 07 87-01	B	732 25 12-01	B N
503 20 07-10	B N	503 91 18-01	G	537 08 38-01	B	734 11 45-71	A
503 20 07-16	B	503 91 18-02	G	537 08 55-01	B	734 11 52-01	B N
503 20 07-25	B N	503 91 81-01	C	537 08 88-01	A	735 31 08-20	F
503 20 14-25	E N	503 93 66-01	G	537 09 19-01	A	735 58 08-10	B
503 20 29-50	J	503 94 02-01	L	537 09 65-01	A	735 58 52-00	A N
502 20 38-01	B N	503 94 05-01	L	537 11 28-01	A	737 44 08-00	J
503 21 66-20	CFK	503 94 10-01	B	537 11 29-01	A	738 21 01-10	L
503 21 68-20	DFK	503 94 26-01	E	537 11 30-01	A	740 42 06-00	C
503 21 68-25	K	503 96 13-01	C	537 11 31-01	A		
503 21 71-16	HK	503 96 14-01	C	537 11 78-01	A		
503 21 75-16	DE	503 96 25-01	E	537 11 79-01	A		
503 21 75-50	E	503 96 49-01	F	537 11 80-01	A		
503 21 77-16	F	503 97 40-01	N	537 11 81-01	A		
503 21 83-16	B	503 97 43-01	N	537 11 82-01	A		
503 22 65-04	E	503 97 98-32	F	537 11 83-01	A		
503 23 00-68	A	503 97 98-42	F	537 11 84-01	A		
503 23 51-11	H	503 98 12-34	D	537 11 85-01	A		
503 26 32-02	A	503 98 12-38	D N	537 11 87-01	A		
503 28 31-11	EN	503 98 12-39	D	537 11 88-01	A		
503 28 90-41	J	503 98 54-01	B	537 11 91-01	A		
503 44 32-01	G	503 98 96-01	M	537 11 92-01	A		
503 47 89-01	N	503 99 55-01	C	537 11 94-01	A		
503 47 90-01	N	503 99 55-02	C	537 11 95-01	A		
503 47 92-01	N	503 99 56-01	C	537 11 96-01	A		
503 47 96-01	N	503 99 56-02	C	537 11 97-01	A		
503 47 97-01	N	531 00 45-52	N	537 11 98-01	A		
503 48 00-01	N	531 00 45-53	N	537 12 01-01	A		
503 48 01-01	N	531 00 92-05	M	537 12 03-01	A		
503 48 05-01	N	537 00 84-01	F	537 12 04-01	A		
503 48 08-01	N	537 01 13-01	C	537 12 06-01	A		
503 48 11-01	N	537 01 25-01	N	537 12 07-01	A		
503 48 18-01	N	537 01 26-01	N	537 12 08-01	A		
503 48 19-01	N	537 01 32-75	J	537 12 09-01	A		
503 49 71-01	E	537 01 41-01	J	537 12 12-01	A		
503 53 57-01	N	537 01 96-01	N	537 12 13-01	A		
503 57 76-01	G	537 01 97-01	N	537 12 15-01	A		
503 66 59-01	N	537 01 98-01	N	537 12 16-01	A		
503 70 80-04	B N	537 01 99-01	N	537 12 17-01	A		
503 71 22-01	JL	537 02 00-01	N	537 12 18-01	A		
503 71 54-01	B N	537 02 01-01	N	537 12 46-01	A		
503 71 82-01	C	537 02 02-01	N	537 12 52-01	A		
503 73 58-01	G	537 02 03-01	N	537 12 78-01	N		
503 74 16-01	M	537 02 04-01	N	537 12 99-01	M		
503 74 16-02	M	537 02 06-01	N	537 13 65-01	A		
503 75 53-01	N	537 02 07-01	N	537 13 66-01	A		
503 78 52-01	B	537 02 08-01	N	537 13 92-01	A		
503 81 60-01	H	537 02 09-01	N	537 14 29-01	A		
503 83 61-01	L	537 02 10-01	N	537 14 30-01	A		
503 84 28-01	H	537 02 11-01	N	537 14 67-01	A		
503 84 29-01	H	537 02 16-01	N	537 15 49-01	A		
503 85 24-74	L	537 03 20-05	J	537 15 99-01	J		
503 85 28-01	F	537 03 22-01	H	537 16 19-01	J		
503 85 87-01	F	537 03 23-01	K	537 17 48-01	B		
503 85 89-01	F	537 03 24-01	K	537 17 50-01	B N		
503 87 17-01	J	537 03 41-01	F	537 18 09-01	B		
503 87 18-01	D	537 03 94-01	J	537 18 10-01	B N		
503 87 21-01	D	537 04 07-10	M	537 18 49-01	G		

Set of gaskets, Dichtungssats,
Jeu de joints, Juego de juntas,
Packningsatts

N = New part, Neues teil,
Nouvelle piece, Nueva pieza
Ny detalj