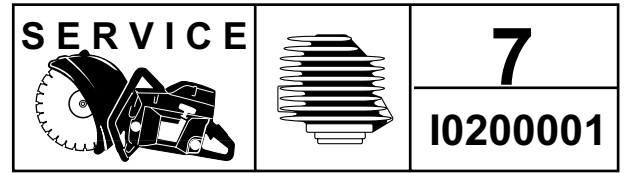


For Husqvarna Parts Call 606-678-9623 or 606-561-4983



IPL, 371 K EPA, 2002-01, 106 25 43-64

# 371 K EPA

**Spare parts**

**Ersatzteile**

**Pièces détachées**

**Reserve onderdelen**

**Repuestos**

**Reservdelar**

Replaces

Ersetzt

Remplace

Vervangt

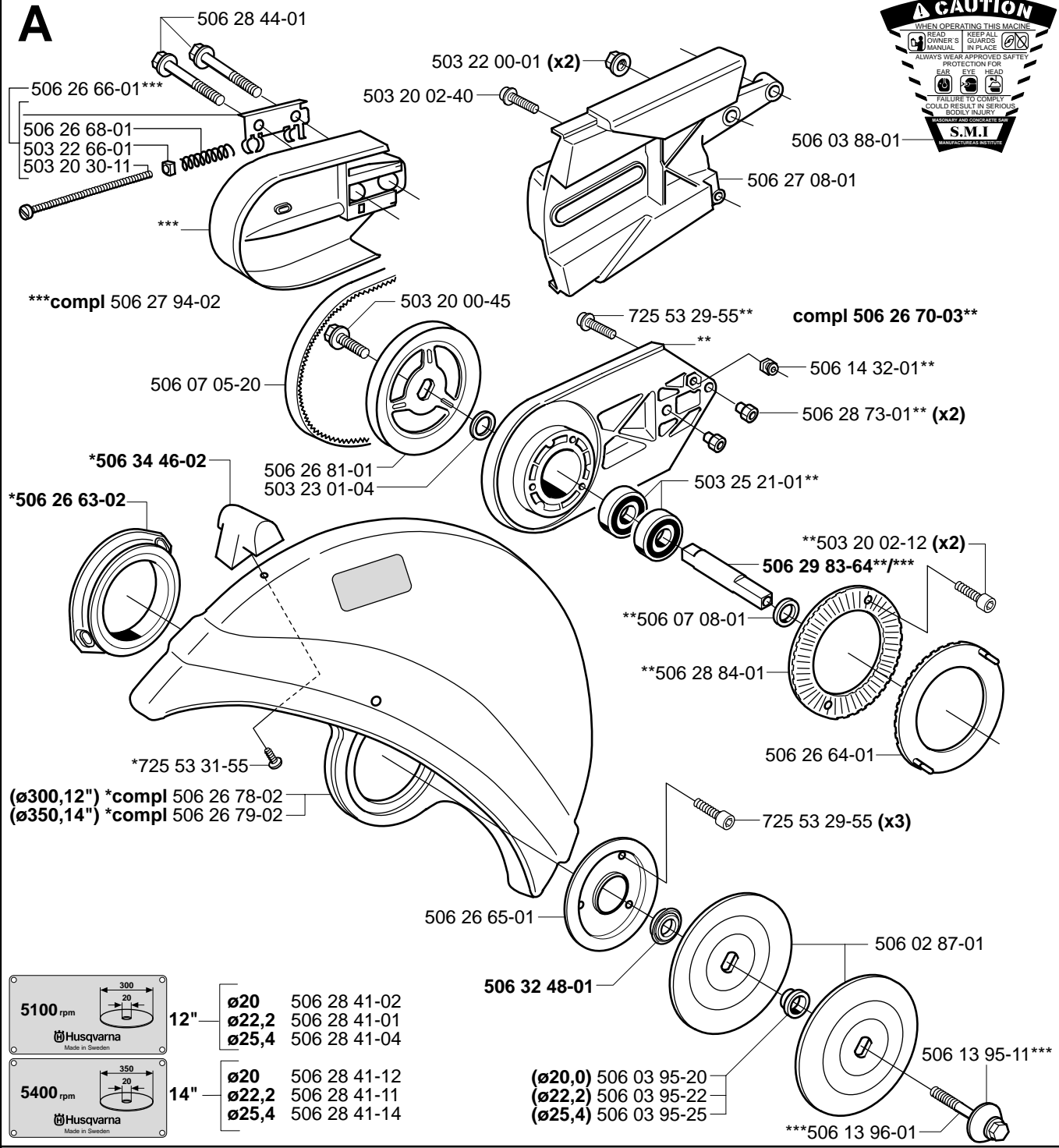
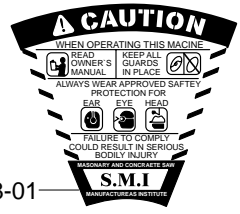
Reemplaza

Ersätter

106 25 43-63

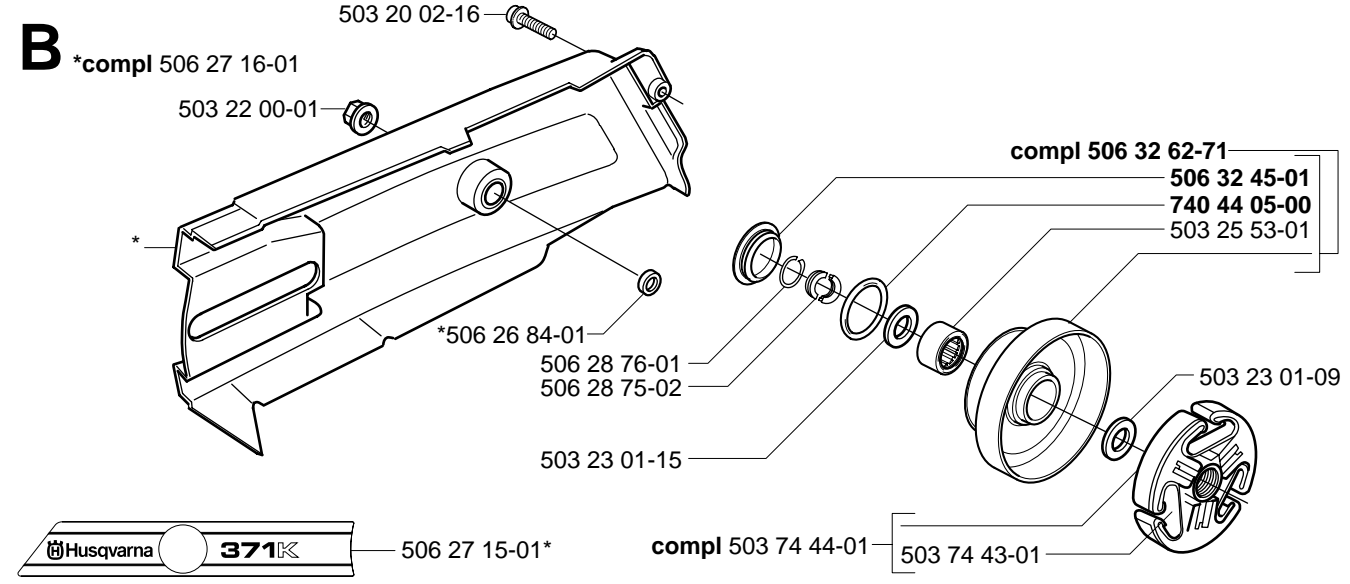
106 25 43-64

**A**

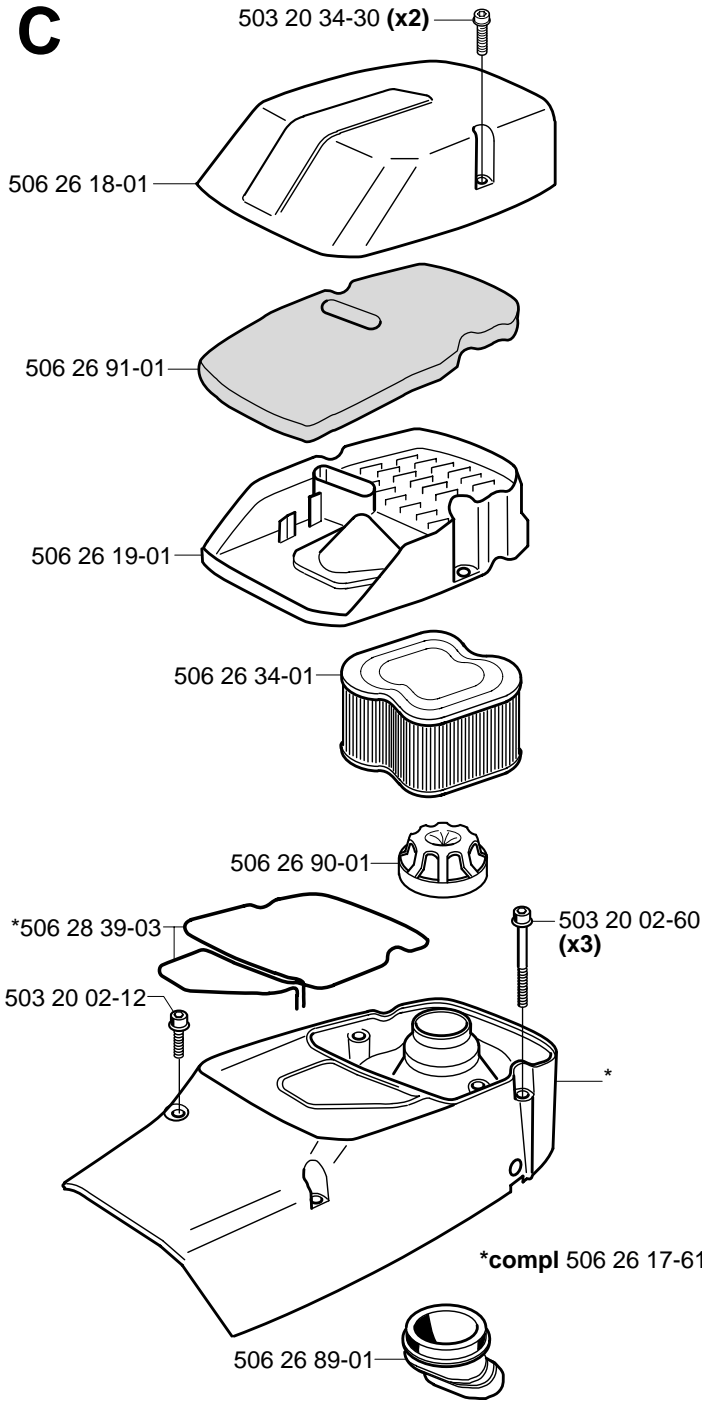


5100 rpm		12"	ø20 506 28 41-02
			ø22,2 506 28 41-01
			ø25,4 506 28 41-04
Husqvarna Made in Sweden			
5400 rpm		14"	ø20 506 28 41-12
			ø22,2 506 28 41-11
			ø25,4 506 28 41-14
Husqvarna Made in Sweden			

**B**



**C**

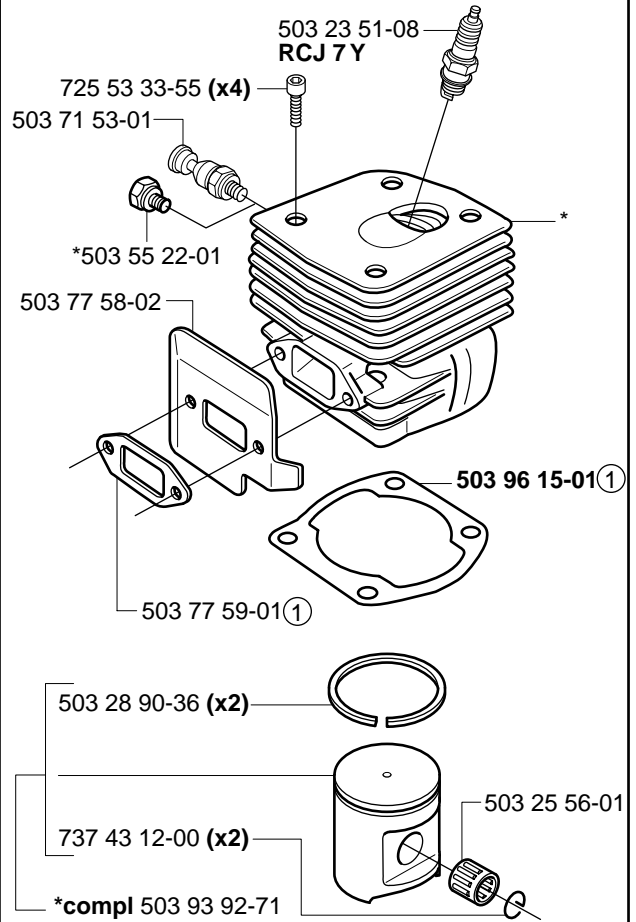


506 27 33-02 CE

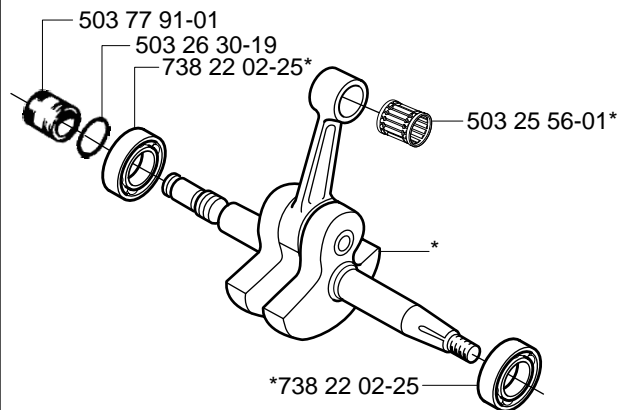
506 27 33-01  
EPA USA



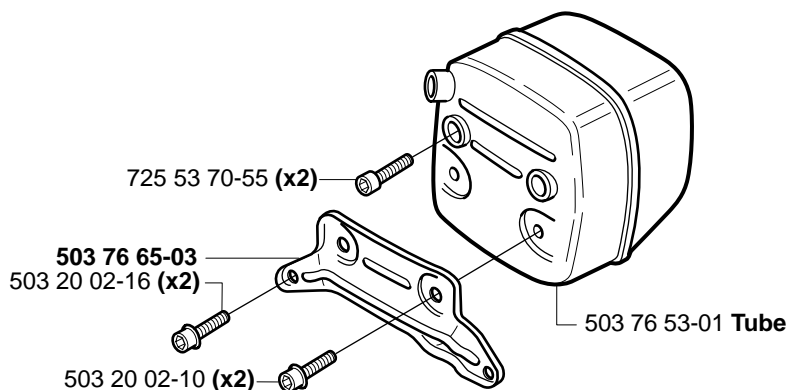
**D** \*compl 503 93 93-72



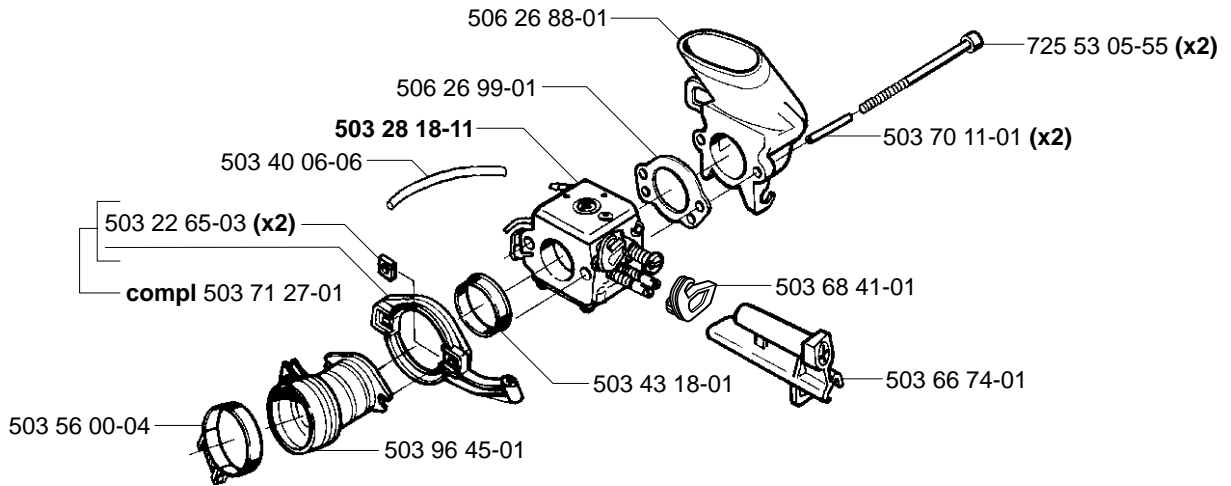
**E** \*compl 503 72 91-73



**F**

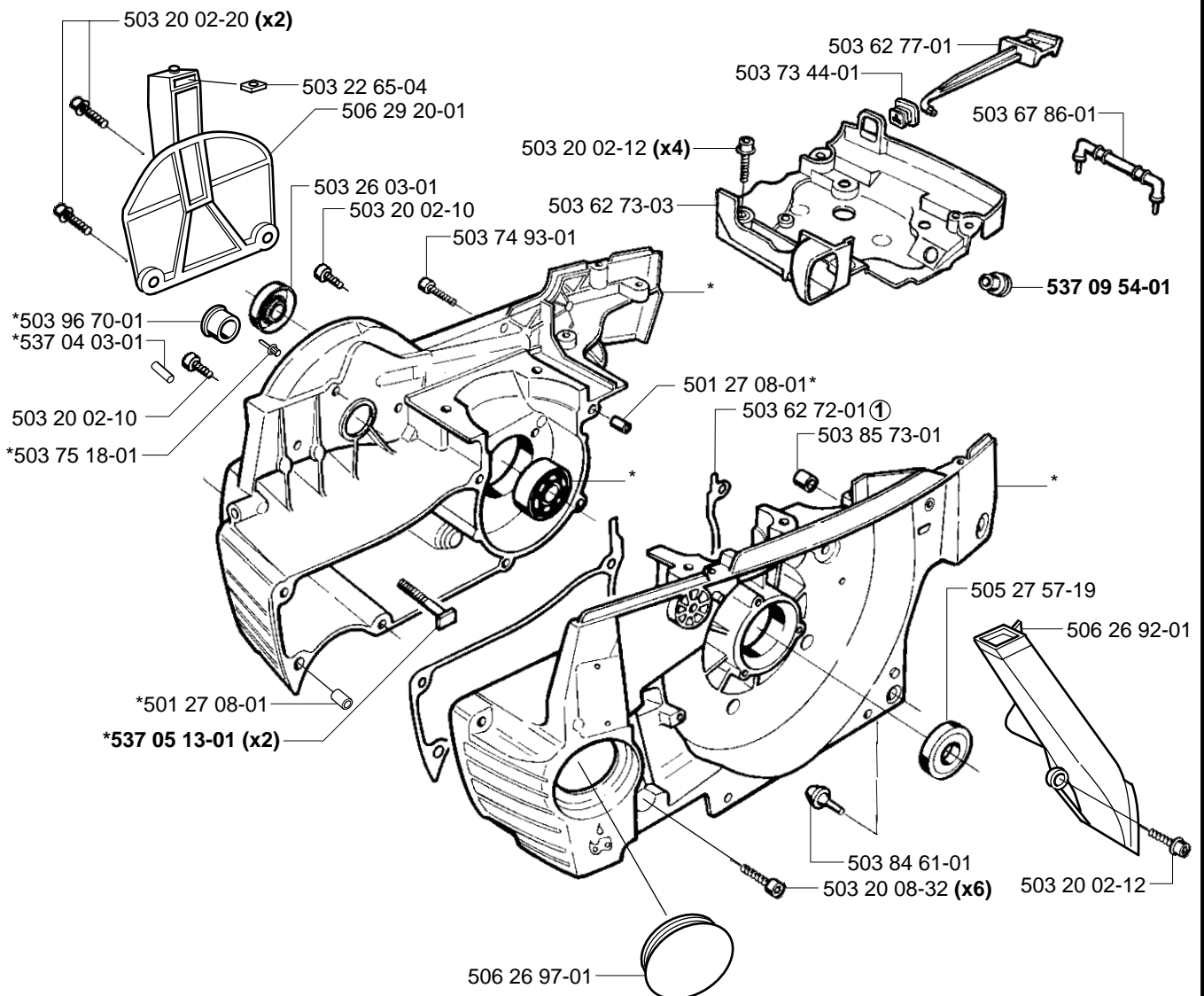


**G**

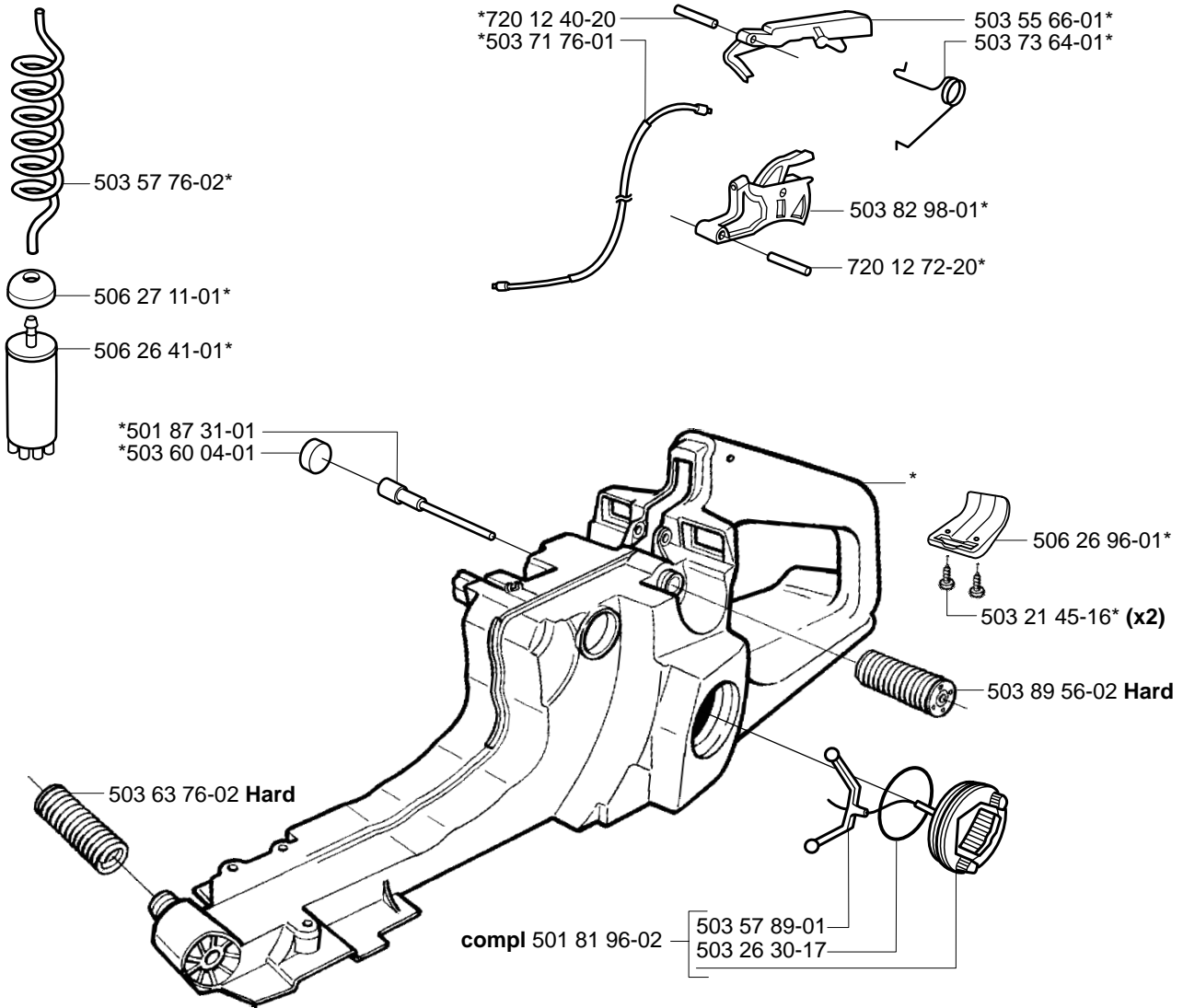


**H**

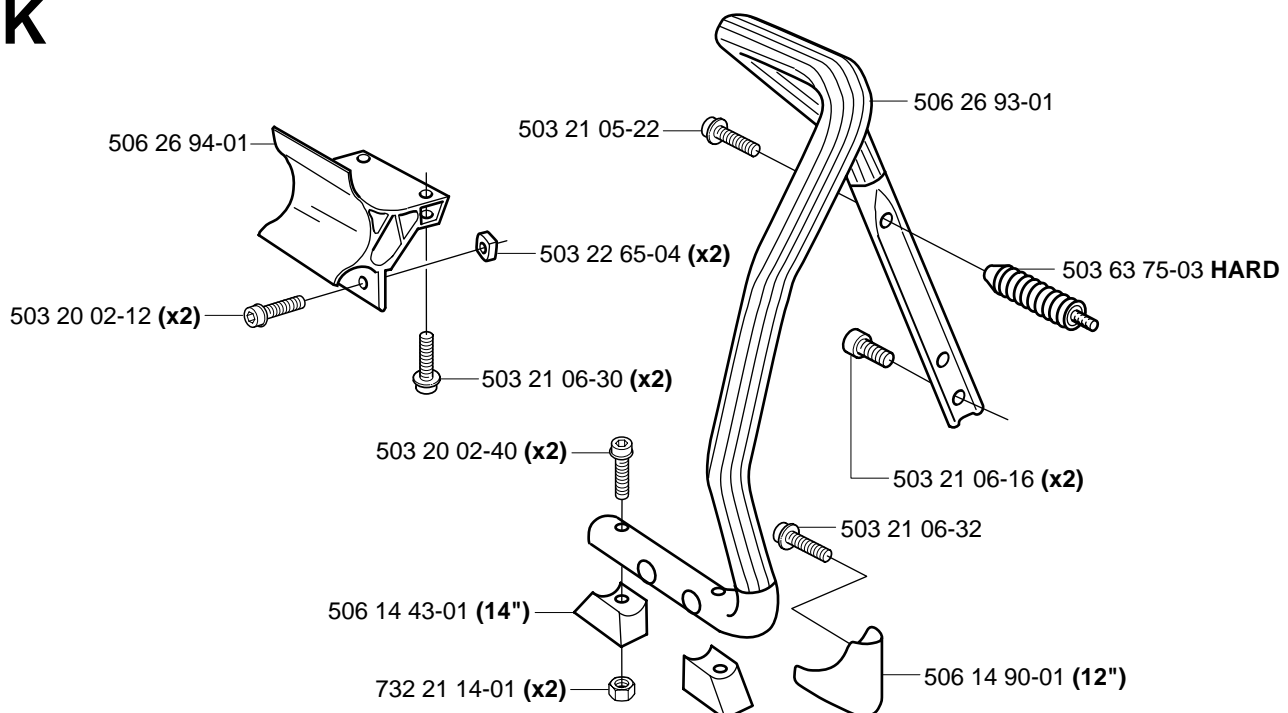
\*compl 503 62 68-76



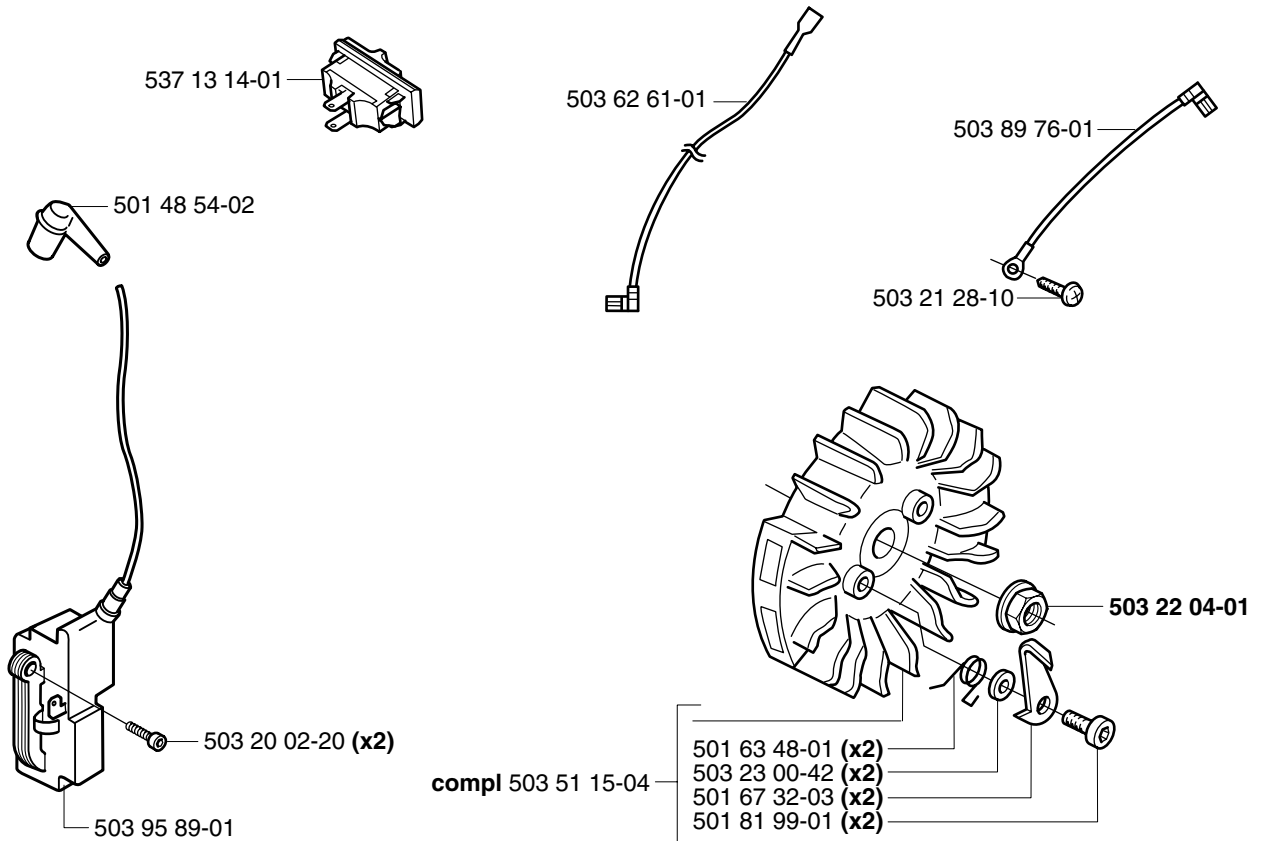
**J** \*compl 503 71 32-76



**K**

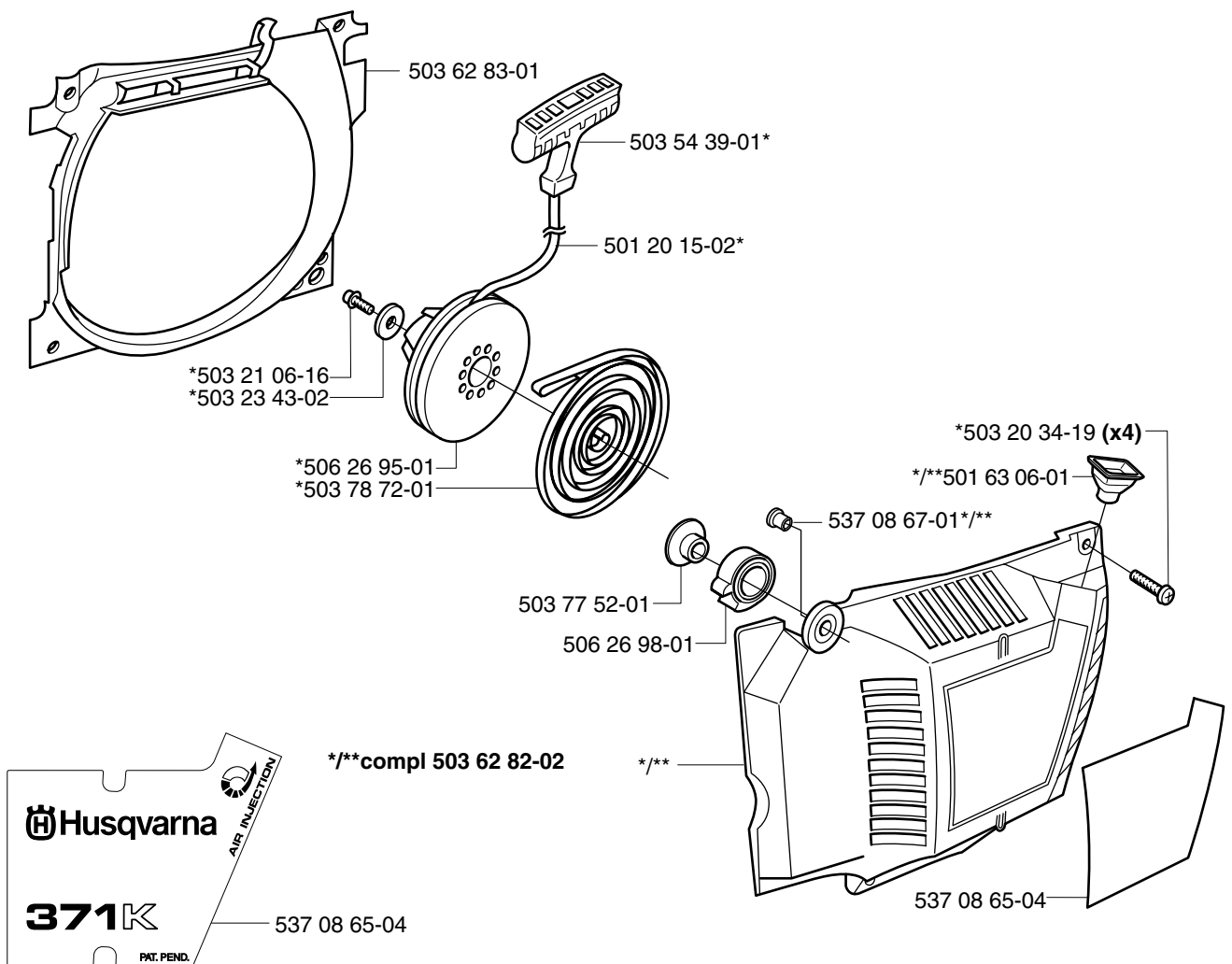


**L**



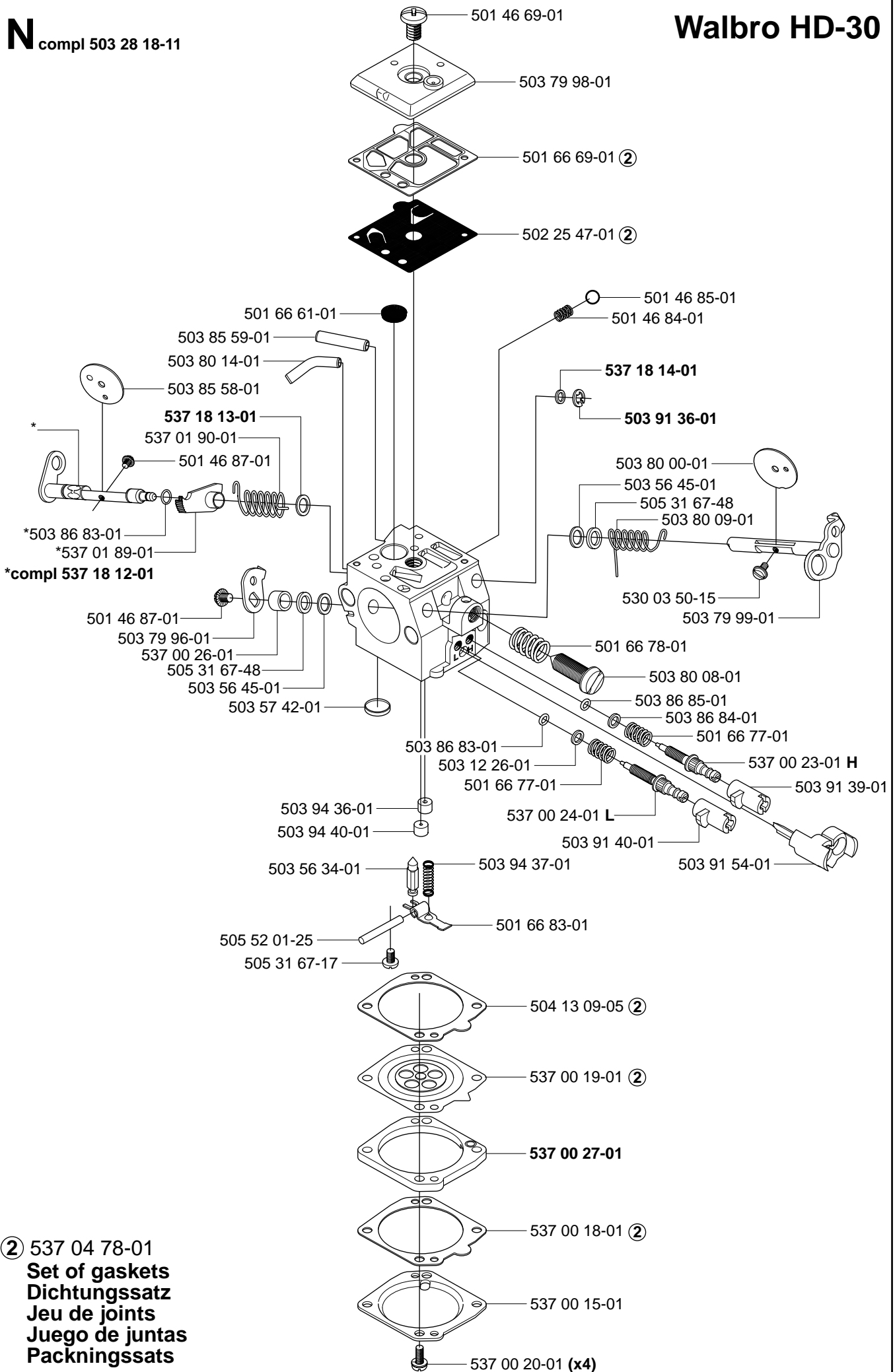
**M**

\*compl 503 62 81-72



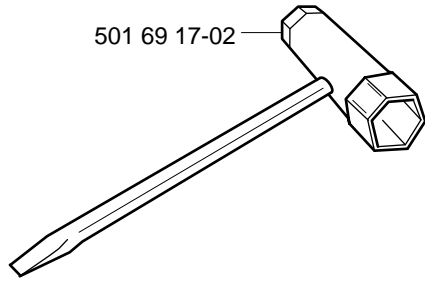
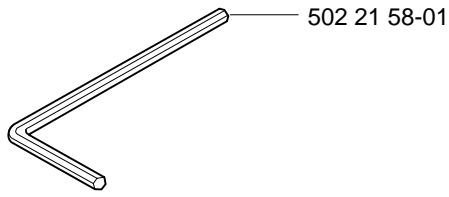
**N** compl 503 28 18-11

**Walbro HD-30**



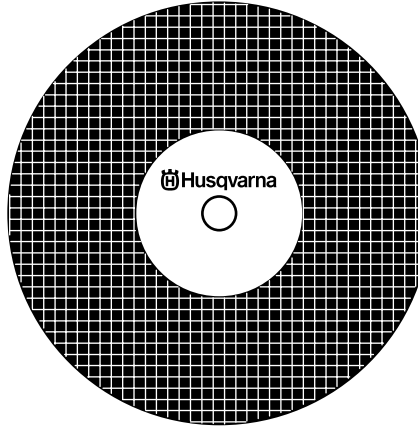
**(2)** 537 04 78-01  
**Set of gaskets**  
**Dichtungssatz**  
**Jeu de joints**  
**Juego de juntas**  
**Packningssats**

**P** Accessories  
Zubehöre  
Accessories  
Accesorios  
Tillbehör



① 503 64 72-01

Gasket set  
Dichtungssatz  
Jeu de joints  
Juego de juntas  
Packningssats

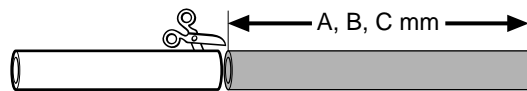
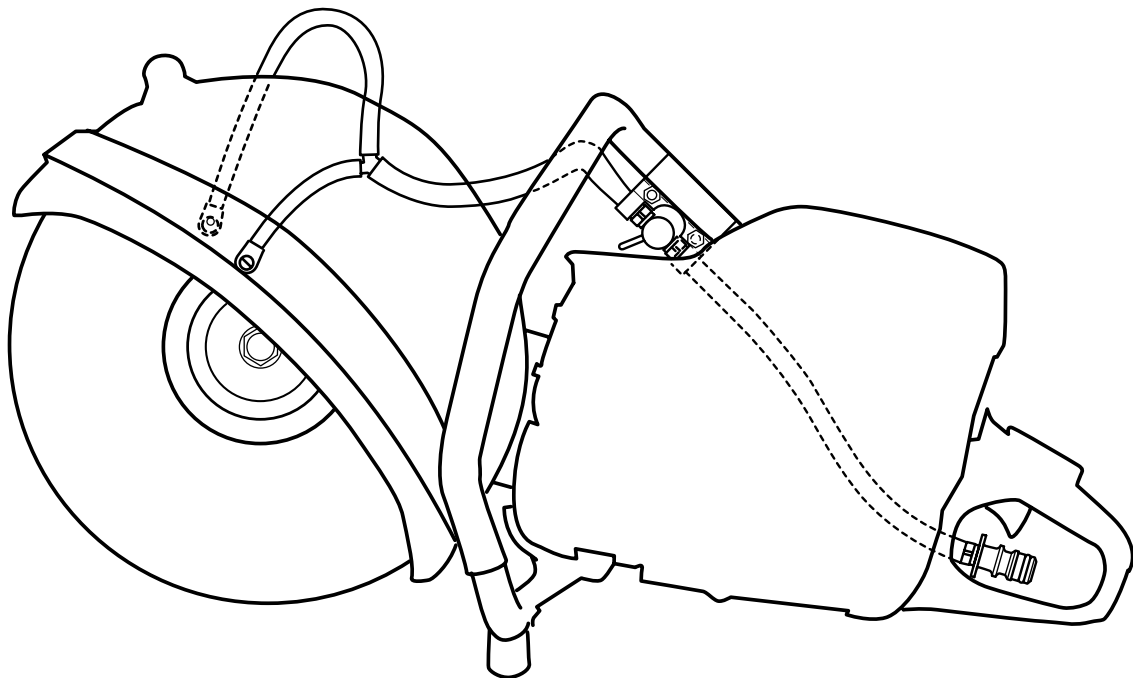
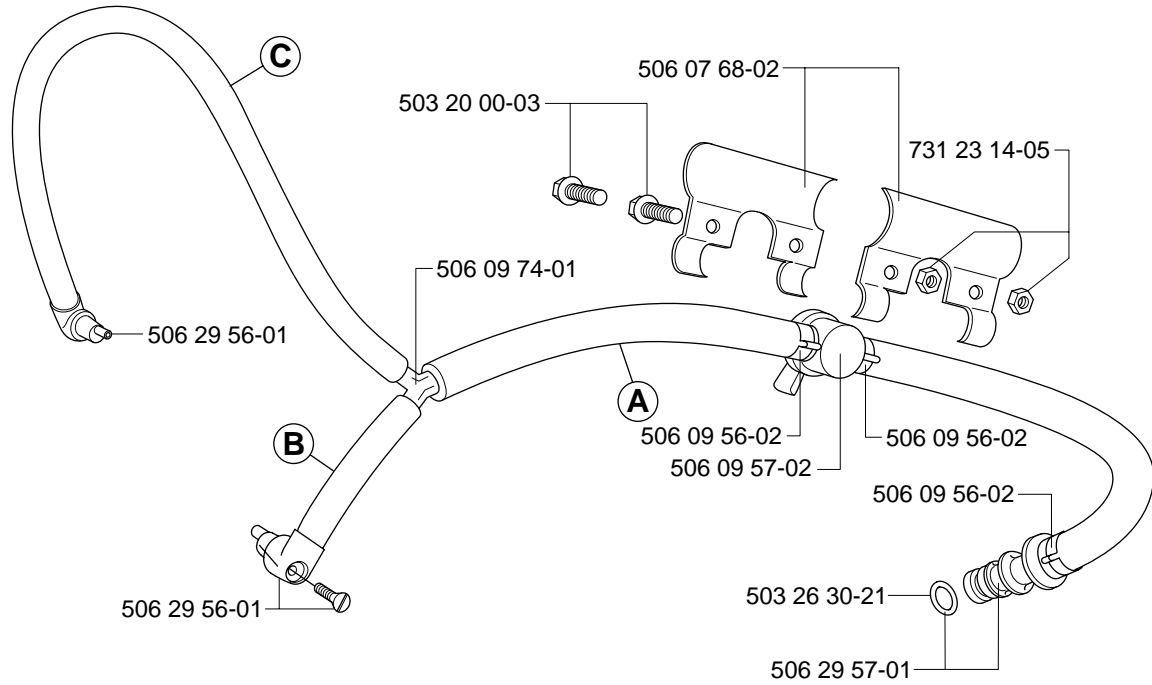


506 29 73-02 12" (300/20)  
506 29 73-04 14" (350/20)



**Q**

# Wet cutting kit 506 29 30-13



Product		A (mm)	B (mm)	C (mm)
371K	12"	290	50	180
371K	14"	290	50	230

# For Husqvarna Parts Call 606-678-9623 or 606-561-4983

MODEL 371 K EPA

PART NUMBER	SQUARE NOTE	PART NUMBER	SQUARE NOTE	PART NUMBER	SQUARE NOTE	PART NUMBER	SQUARE NOTE
501 20 15-02	M	503 57 76-02	J	505 52 01-25	N	506 32 45-01	B
501 27 08-01	H	503 57 89-01	J	506 02 87-01	A	506 32 48-01	A
501 46 69-01	N	503 60 04-01	J	506 03 88-01	A	506 32 62-71	B
501 46 84-01	N	503 62 61-01	L	506 03 95-20	A	506 34 46-02	A
501 46 85-01	N	503 62 68-76	H	506 03 95-22	A	530 03 50-15	N
501 46 87-01	N	503 62 72-01	H	506 03 95-25	A	537 00 15-01	N
501 48 54-02	L	503 62 73-03	H	506 07 05-20	A	537 00 18-01	N
501 63 06-01	M	503 62 77-01	H	506 07 08-01	A	537 00 19-01	N
501 63 48-01	L	503 62 81-72	M	506 13 95-11	A	537 00 20-01	N
501 66 61-01	N	503 62 82-02	M	506 13 96-01	A	537 00 23-01	N
501 66 69-01	N	503 62 83-01	M	506 14 32-01	A	537 00 24-01	N
501 66 77-01	N	503 63 75-03	K	506 14 43-01	K	537 00 26-01	N
501 66 78-01	N	503 63 76-02	J	506 14 90-01	K	537 00 27-01	N
501 66 83-01	N	503 64 72-01	P	506 07 68-02	Q	537 01 89-01	N
501 67 32-03	L	503 66 74-01	G	506 09 56-02	Q	537 01 90-01	N
501 69 17-02	P	503 67 86-01	H	506 09 57-02	Q	537 04 03-01	H
501 81 96-02	J	503 68 41-01	G	506 09 74-01	Q	537 04 78-01	N
501 81 99-01	L	503 70 11-01	G	506 26 17-61	C	537 05 13-01	H
501 87 31-01	J	503 71 27-01	G	506 26 18-01	C	537 08 65-04	M
502 21 58-01	P	503 71 32-76	J	506 26 19-01	C	537 08 67-01	M
502 25 47-01	N	503 71 53-01	D	506 26 34-01	C	537 09 54-01	H
503 12 26-01	N	503 71 76-01	J	506 26 41-01	J	537 13 14-01	L
503 20 00-03	Q	503 72 91-73	E	506 26 63-02	A	537 18 12-01	N
503 20 00-45	A	503 73 44-01	H	506 26 64-01	A	537 18 13-01	N
503 20 02-10	FH	503 73 64-01	J	506 26 65-01	A	537 18 14-01	N
503 20 02-12	ACHK	503 74 43-01	B	506 26 66-01	A	720 12 40-20	J
503 20 02-16	BF	503 74 44-01	B	506 26 68-01	A	720 12 72-20	J
503 20 02-20	HL	503 74 93-01	H	506 26 70-03	A	725 53 05-55	G
503 20 02-40	AK	503 75 18-01	H	506 26 78-02	A	725 53 29-55	A
503 20 02-60	C	503 76 53-01	F	506 26 79-02	A	725 53 31-55	A
503 20 08-32	H	503 76 65-03	F	506 26 81-01	A	725 53 33-55	D
503 20 30-11	A	503 77 52-01	M	506 26 84-01	B	725 53 70-55	F
503 20 34-19	M	503 77 58-02	D	506 26 88-01	G	731 23 14-05	Q
503 20 34-30	C	503 77 59-01	D	506 26 89-01	C	732 21 14-01	K
503 21 05-22	K	503 77 91-01	E	506 26 90-01	C	737 43 12-00	D
503 21 06-16	KM	503 78 72-01	M	506 26 91-01	C	738 22 02-25	E
503 21 06-30	K	503 79 96-01	N	506 26 92-01	H	740 44 05-00	B
503 21 06-32	K	503 79 98-01	N	506 26 93-01	K		
503 21 28-10	L	503 79 99-01	N	506 26 94-01	K		
503 21 45-16	J	503 80 00-01	N	506 26 95-01	M		
503 22 00-01	AB	503 80 08-01	N	506 26 96-01	J		
503 22 04-01	L	503 80 09-01	N	506 26 97-01	H		
503 22 65-03	G	503 80 14-01	N	506 26 98-01	M		
503 22 65-04	HK	503 82 98-01	J	506 26 99-01	G		
503 22 66-01	A	503 84 61-01	H	506 27 08-01	A		
503 23 00-42	L	503 85 58-01	N	506 27 11-01	J		
503 23 01-04	A	503 85 59-01	N	506 27 15-01	B		
503 23 01-09	B	503 85 73-01	H	506 27 16-01	B		
503 23 01-15	B	503 86 83-01	N	506 27 33-01	C		
503 23 43-02	M	503 86 84-01	N	506 27 33-02	C		
503 23 51-08	D	503 86 85-01	N	506 27 94-02	A		
503 25 21-01	A	503 89 56-02	J	506 28 39-03	C		
503 25 53-01	B	503 89 76-01	L	506 28 41-01	A		
503 25 56-01	DE	503 91 36-01	N	506 28 41-02	A		
503 26 03-01	H	503 91 39-01	N	506 28 41-04	A		
503 26 30-17	J	503 91 40-01	N	506 28 41-11	A		
503 26 30-19	E	503 91 54-01	N	506 28 41-12	A		
503 26 30-21	Q	503 93 92-71	D	506 28 41-14	A		
503 28 18-11	GN	503 93 93-72	D	506 28 44-01	A		
503 28 90-36	D	503 94 36-01	N	506 28 73-01	A		
503 40 06-06	G	503 94 37-01	N	506 28 75-02	B		
503 43 18-01	G	503 94 40-01	N	506 28 76-01	B		
503 51 15-04	L	503 95 89-01	L	506 28 84-01	A		
503 54 39-01	M	503 96 15-01	D	506 29 20-01	H		
503 55 22-01	D	503 96 45-01	G	506 29 30-13	Q		
503 55 66-01	J	503 96 70-01	H	506 29 56-01	Q		
503 56 00-04	G	504 13 09-05	N	506 29 57-01	Q		
503 56 34-01	N	505 27 57-19	H	506 29 73-02	P		
503 56 45-01	N	505 31 67-17	N	506 29 73-04	P		
503 57 42-01	N	505 31 67-48	N	506 29 83-64	A		

1 = 503 64 72-01  
2 = 537 04 78-01

Set of gaskets  
Dichtungssatz  
Jeu de joints  
Juego de juntas  
Packningssats

N = New part  
Neues teil  
Nouvelle piece  
Nueva pieza  
Ny detalj

EPA = Environmental Protection Agency  
(for USA only)