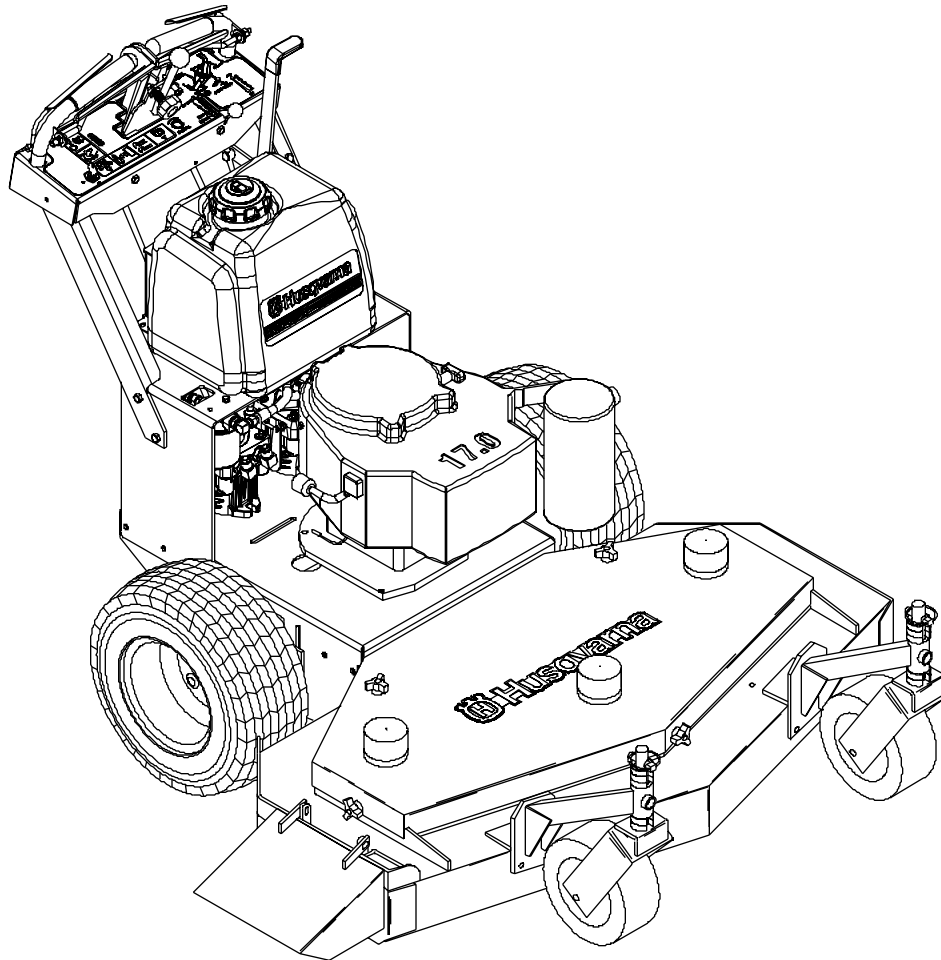


For Husqvarna Parts Call 606-678-9623 or 606-561-4983

 **Husqvarna**



Parts Manual

Models:

968999123 / WH4817ETS

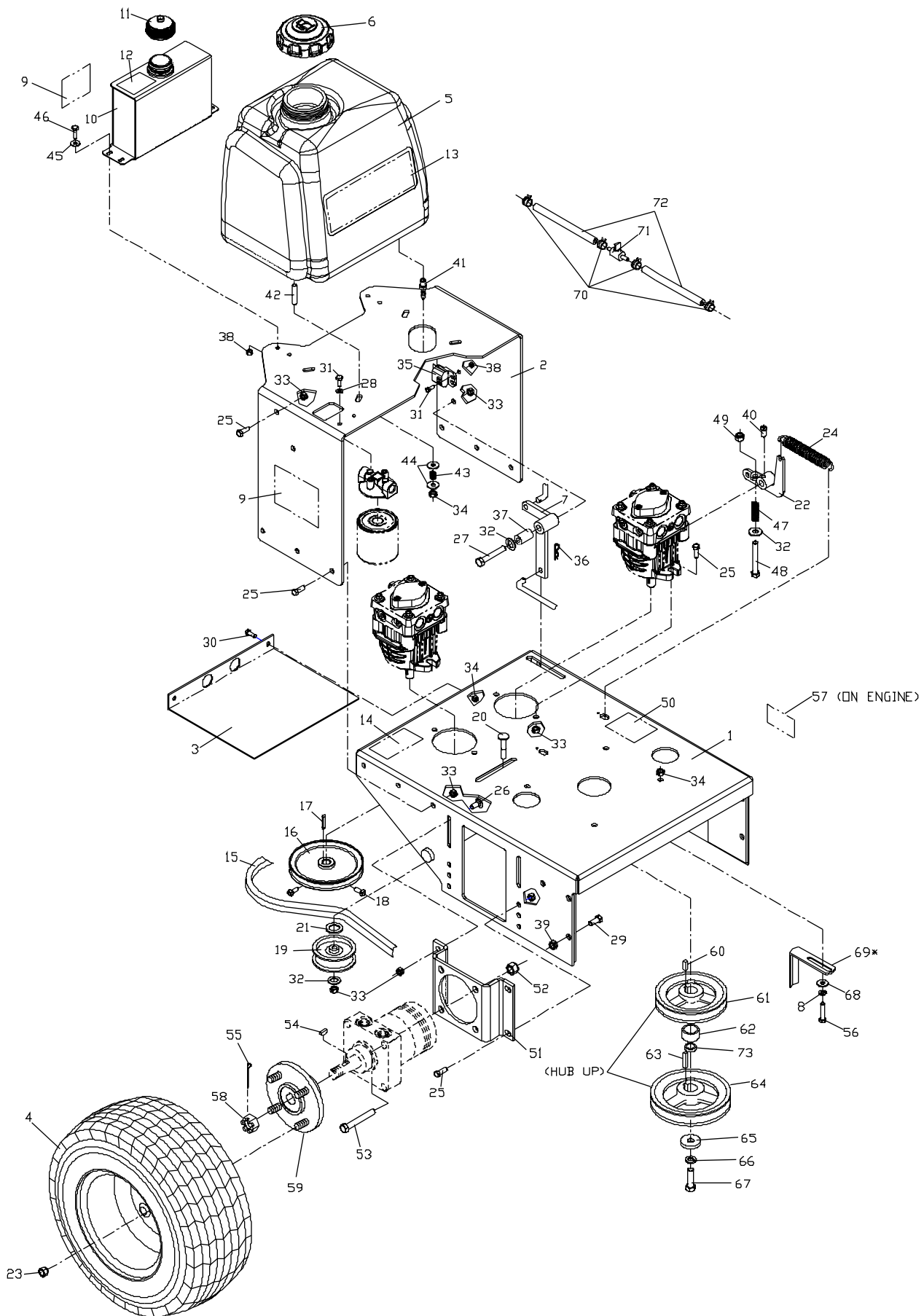
MANUAL NO. 539106509 REV. IR (10/4/01)

www.mymowerparts.com

Table of Contents

POWER UNIT ASSEMBLY	4
HYDRAULIC ASSEMBLY	6
48" FRONT DECK ASSEMBLY	8
CUTTER HOUSING ASSEMBLY	10
HANDLE ASSEMBLY	12
HANDLE MOTION CONTROL ASSEMBLY	14
FRONT CASTER ASSEMBLY	16
WIRING ASSEMBLY	18

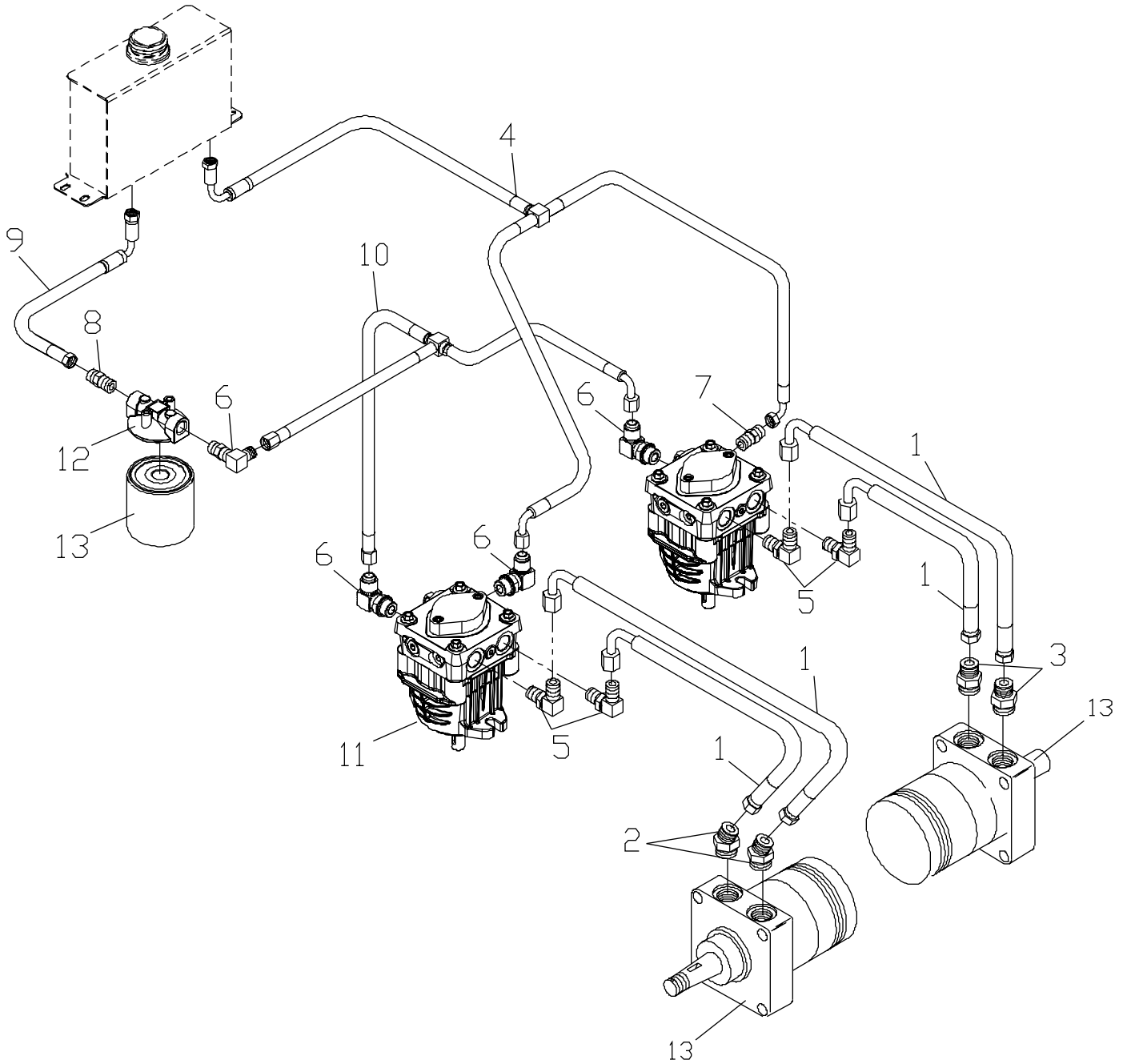
Power Unit Assembly



Power Unit Assembly

ITEM	PART NO.	QTY	DESCRIPTION	ITEM	PART NO.	QTY	DESCRIPTION
1	539106560	1	REAR DECK W/DECALS	37	539101836	1	SLEEVE BUSHING
2	539105922	1	TANK SUPPORT	38	539990761	5	NUT 1/4 CTR. LOCK
3	539104547	1	BELT SHIELD	39	539990839	6	NUT 7/16 CTR. LOCK
4	539104553	2	WHEEL ASM.	40	539105079	2	SCREW 5/16 X .625 CONE
	539101548	2	TIRE	41	539102650	1	HOSE BARB
	539104628	2	RIM	42	539102502	4	STUD 5/16
	539912234	2	VALVE STEM	43	539102845	4	SPRING
5	539105630	1	FUEL TANK	44	539990692	8	WASHER 5/16 FLAT
6	539106188	1	FUEL CAP	45	539990598	4	WASHER 1/4 FLAT
7	539103461	1	BELL CRANK	46	539990580	4	HCS 1/4 X .750
8	539990187	4	WASHER 5/16 LOCK	47	539101224	2	SPRING
9	539104789	3	DECAL, CROWN	48	539106492	2	HCS 3/8 X 2.750
10	539105985	1	OIL TANK	49	539976979	2	NUT 3/8 NYLOC
11	539101202	1	OIL CAP	50	539101881	1	DECAL, PROP 65
12	539105301	1	DECAL, MOBIL 1	51	539102220	2	MOTOR MOUNT
13	539104792	1	DECAL, WH4817	52	539101331	8	NUT 1/2 NYLOC
14	539105744	1	DECAL, BELT DRIVE	53	539101332	8	HCS 1/2 X 2.750
15	539101228	1	BELT	54	539101465	2	KEY #808 WOODRUFF
16	539102228	2	PULLEY	55	539990297	2	COTTER PIN
17	539101177	2	KEY, METRIC	56	539990669	4	HCS 5/16 X 1.750
18	539102717	4	SCREW 5/16 X .625	57	539100128	1	DECAL, DANGER
19	539919078	1	IDLER PULLEY	58	539101468	2	NUT SLTD. HEX
20	539100145	1	RHSNB 3/8 X 2.0	59	539101109	2	HUB
21	539990550	1	WASHER 1/2 FLAT	60	539102067	1	KEY 1/4 X .750
22	539105913	2	PUMP ARM WLDMT.	61	539101719	1	PULLEY
23	539101173	8	LUGNUT	62	539101720	1	SPACER
24	539916159	2	SPRING	63	539101995	1	KEY 1/4 X 1.125
25	539990563	16	HCS 3/8 X 1.0	64	539101834	1	PULLEY
26	539990645	4	RHSNB 3/8 X 1.0	65	539106504	1	HEAVY WASHER
27	539990588	1	HCS 3/8 X 2.0	66	539990247	1	WASHER 7/16 LOCK
28	539990052	2	WASHER 1/4 LOCK	67	539100141	1	HCS 7/16 X 1.500
29	539100143	6	HCS 7/16 X 1.0	68	539990692	10	WASHER 5/16 FLAT
30	539976934	2	HCS 5/16 X .750	69	539102036	1	BELT GUIDE
31	539990072	2	HCS 1/4 X .625		539103462	2	BELT GUIDE
32	539990517	4	WASHER 3/8 FLAT	70	539912222	4	HOSE CLAMP
33	539990546	22	NUT 3/8 CTR. LOCK	71	539916325	1	FUEL VALVE
34	539990184	10	NUT 5/16 CTR. LOCK	72	539932956	2	FUEL LINE
35	539101781	1	MODULE	73	539102050	1	MACH. BUSHING
36	539976988	1	#2 HAIRPIN				

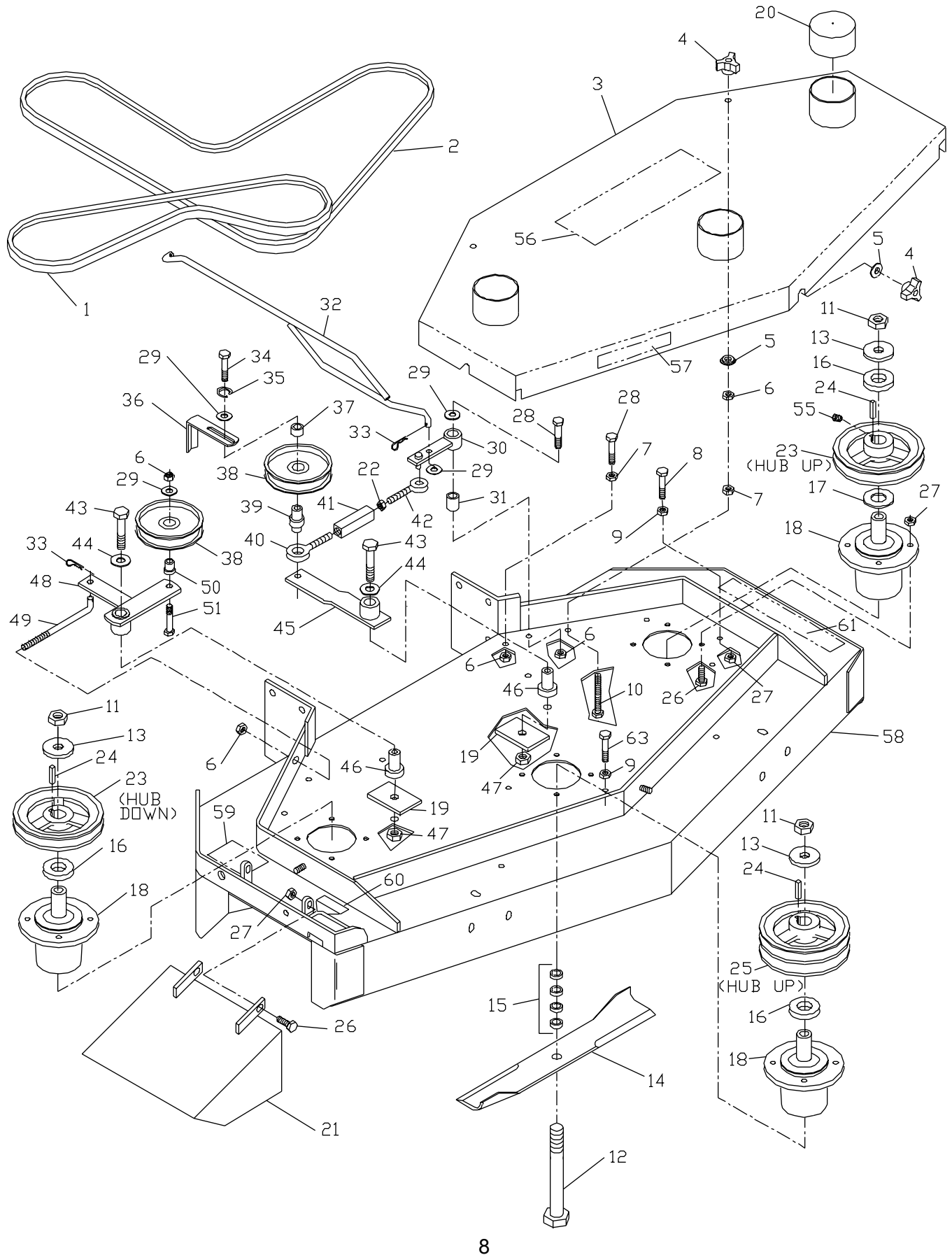
Hydraulic Assembly



Hydraulic Assembly

ITEM	PART NO.	QTY	DESCRIPTION
1	539101245	4	1/2" HOSE
2	539101243	2	ELBOW 45 DEG.
3	539101239	2	CONNECTOR STRAIGHT
4	539102229	1	INLET TEE HOSE
5	539101242	4	ELBOW 90 DEG.
6	539101238	4	ELBOW 90 DEG.
7	539101236	1	CONNECTOR STRAIGHT
8	539103316	1	CONNECTOR STRAIGHT
9	539101248	1	HOSE
10	539102230	1	TEE HOSE
11	539104529	2	PUMP
12	539101165	1	FILTER HEAD
13	539102606	1	FILTER
14	539101110	2	WHEEL MOTOR

48" Front Deck Assembly



48" Front Deck Assembly

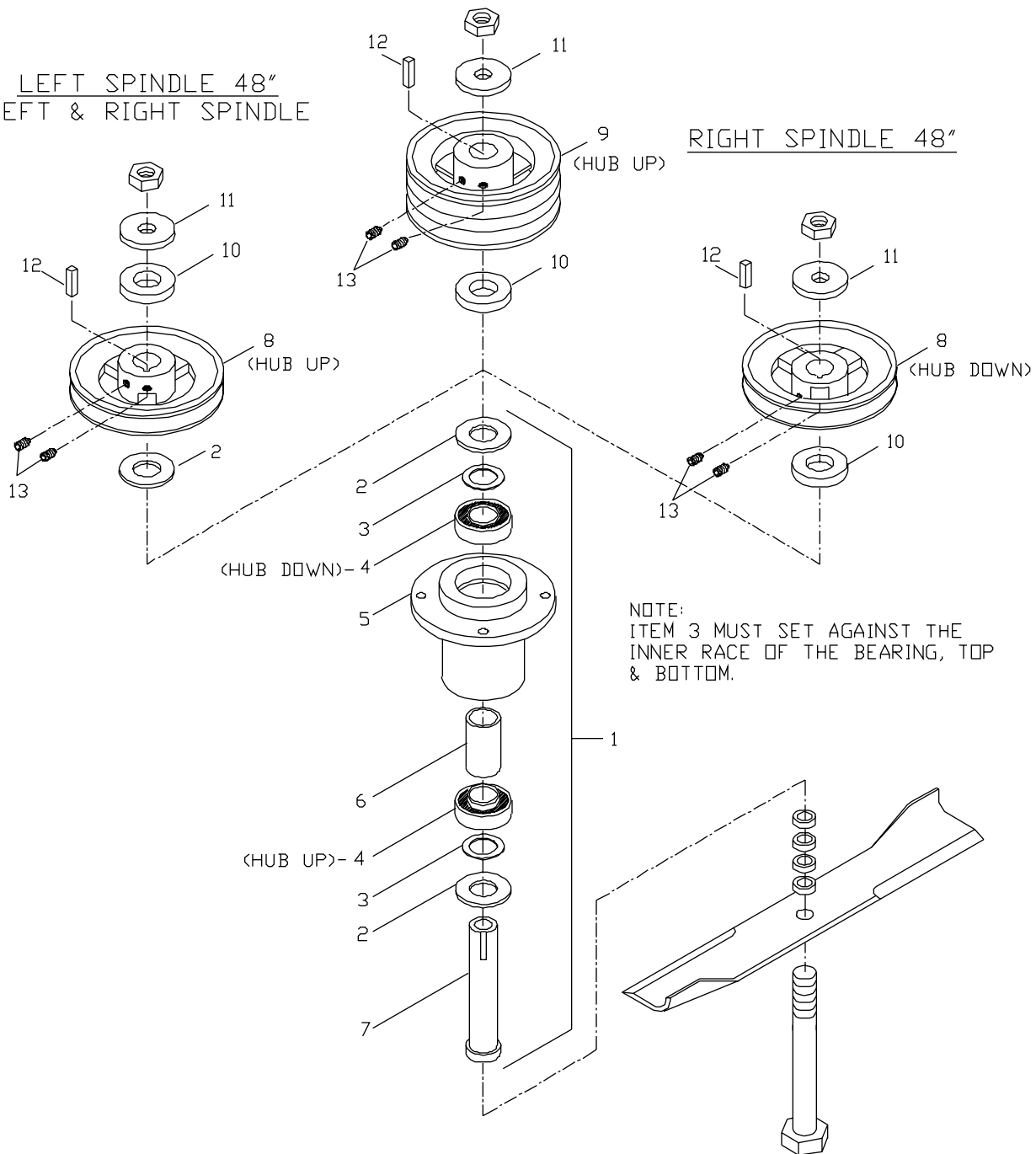
ITEM	PART NO.	QTY.	DESCRIPTION	ITEM	PART NO.	QTY.	DESCRIPTION
1	539100024	1	AUX. BLADE BELT	31	539101836	1	SLEEVE BUSHING
2	539101958	1	BLADE BELT 48	32	539102031	1	BLADE ROD 48"
3	539104562	1	48" BELT SHIELD	33	539976988	2	#2 HAIRPIN
4	539102070	5	THREE PRONG KNOB	34	539990637	1	HCS 3/8C X 2 1/2
5	539102056	5	3/8 SEALING WASHER	35	539990118	1	3/8 LOCK WASHER
6	539990546	6	HLN 3/8C	36	539100075	1	SNUBBER
7	539990613	6	HFLN 3/8C	37	539102656	1	SPACER
8	539990553	4	HCS 5/16CX3	38	539976688	2	IDLER PULLEY
9	539990585	7	HFLN 5/16C	39	539101980	1	EYEBOLT PIVOT
10	539102334	2	TAPBOLT-3/8C X 4 1/2	40	539101981	1	LEFT HAND EYEBOLT
11	539976980	3	HN 5/8F	41	539101983	1	TURNBUCKLE
12	539102332	2	HCS 5/8F X 8 1/2	42	539101982	1	RH. EYEBOLT
	539101100	1	HCS 5/8F X 9(CENTER)	43	539101332	2	HCS 1/2C X 2 3/4
13	539102243	3	SUPPORT WASHER	44	539990550	3	1/2 FLAT WASHER
14	539100340	3	BLADE 16 1/4"	45	539101978	1	ARM WLDMT
15	539976436	12	BLADE SPACERS	46	539101231	2	IDLER SPINDLE
16	539102245	3	SPACER	47	539101331	2	1/2C NYLOC NUT
17	539102675	1	MACH. BUSHING	48	539102237	1	AUX. IDLERARM
18	539102440	3	HOUSINGASM.	49	539102337	1	TENSION ROD
19	539102236	2	PAD	50	539976695	1	IDLER FLANGE BUSHING
20	539102320	3	TUBE CAP	51	539990730	1	HCS 3/8C X 1 3/4
21	539104546	1	DEFLECTOR CHUTE	52	539101175	6	HCS 7/16C X 1 1/2
22	539990196	1	5/16C HEX NUT	53	539990247	6	7/16 LOCK WASHER
23	539976398	2	PULLEY W/SETSCRS	54	539990449	6	7/16C HEX NUT
24	539101995	3	1/4SQ. KEY X 1 1/8	55	539976956	6	5/16 NYLOC SETSCREW
25	539101819	1	DOUBLE PULLEY	56	539104790	1	DECAL, HUSQVARNA
26	539990209	14	HCS 5/16C X 1	57	539105071	1	DECAL, NASCAR
27	539990184	21	HLN 5/16C	58	539104564	1	48" DECK W/DECALS
28	539990629	2	HCS 3/8C X 2 1/4	59	539105746	1	DECAL, SEVERING
29	539990517	4	FW 3/8 STD	60	539913010	1	DECAL, CPSC
30	539101979	1	ENGAGEMENT ARM	63	539102335	3	HCS 5/16C X 4

Cutter Housing Assemblies

CENTER SPINDLE 48"

LEFT SPINDLE 48" LEFT & RIGHT SPINDLE

RIGHT SPINDLE 48"



NOTE:

Before installation of cutter housings remove the "O" ring from the top of the spindle. This item must be removed or premature failure will occur.

Cutter Housing Assemblies

ITEM	PART NO.	QTY.	DESCRIPTION
1	539102440	1	CUTTER HOUSING ASM. (INCLUDES ITEMS 2 THRU 7)
2	539102675	3	MACH. BUSING 10GA.
3	539102244	2	MACH. BUSING 18GA.
4	539102677	2	BEARING
5	539102673	1	HOUSING
6	539102676	1	SPACER
7	539102674	1	SPINDLE
8	539976398	1	PULLEY
9	539101819	1	DOUBLE PULLEY
10	539102245	1	3/8" SPACER
11	539102243	1	1/4" SPACER
12	539101995	1	KEY 1/4 SQ. X 1 1/8"
13	539976956	2	5/16 NYLOC SETSCREW

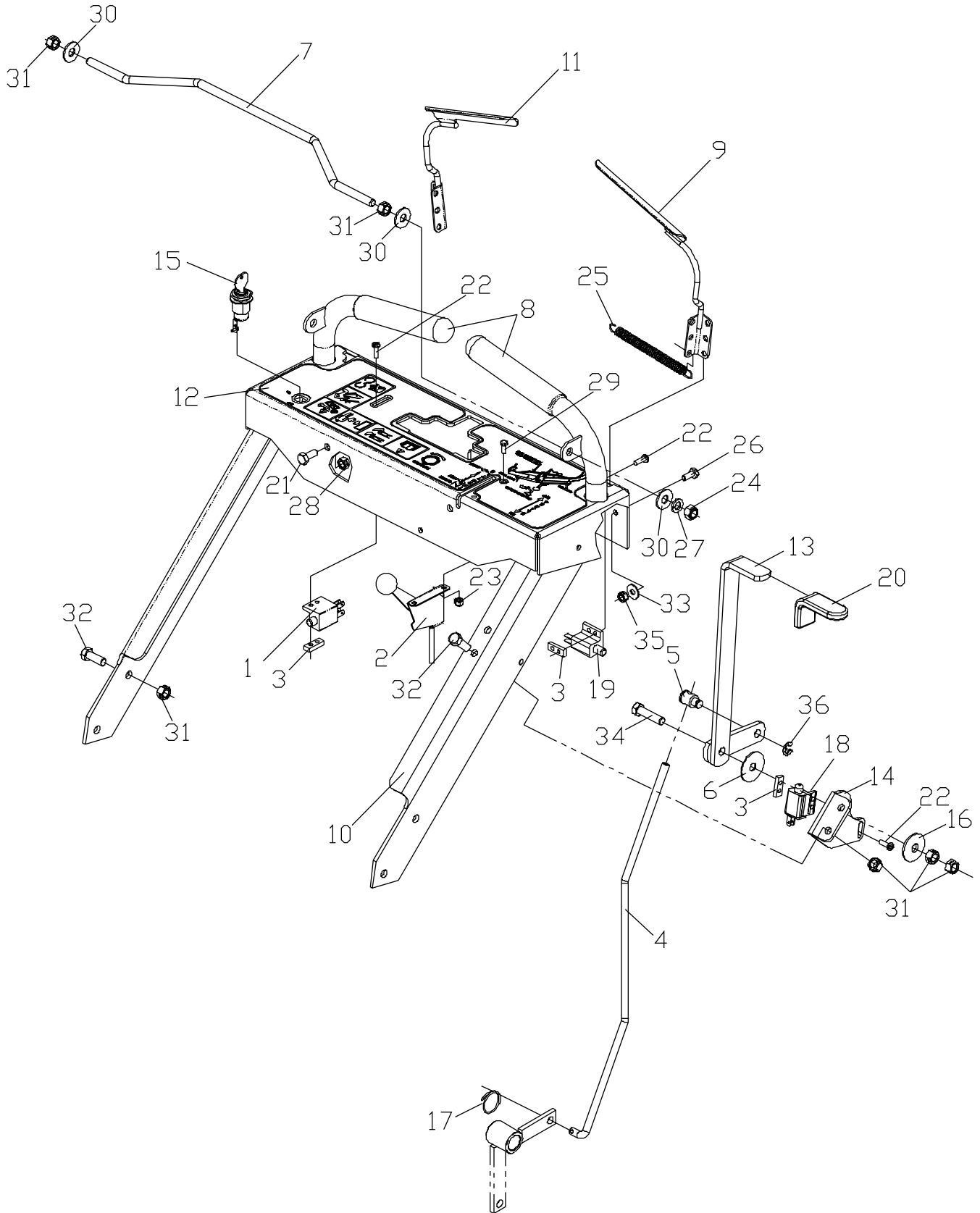
NOTE:

THIS HOUSING ASSEMBLY (ITEM 1) IS USED IN CONJUNCTION WITH DIFFERENT PULLEYS AND SPACERS. IT IS CRITICAL THAT YOU USE THE RIGHT SPACERS IN THE RIGHT LOCATION FOR THE DIFFERENT SPINDLE COMBINATIONS. (ALSO REFER TO THE CUTTER OPERATOR'S MANUAL)

NOTE:

THIS HOUSING ASSEMBLY (ITEM 1) WILL NOT WORK IF THESE ITEMS ARE NOT IN THEIR PROPER LOCATION OR ORIENTATION.

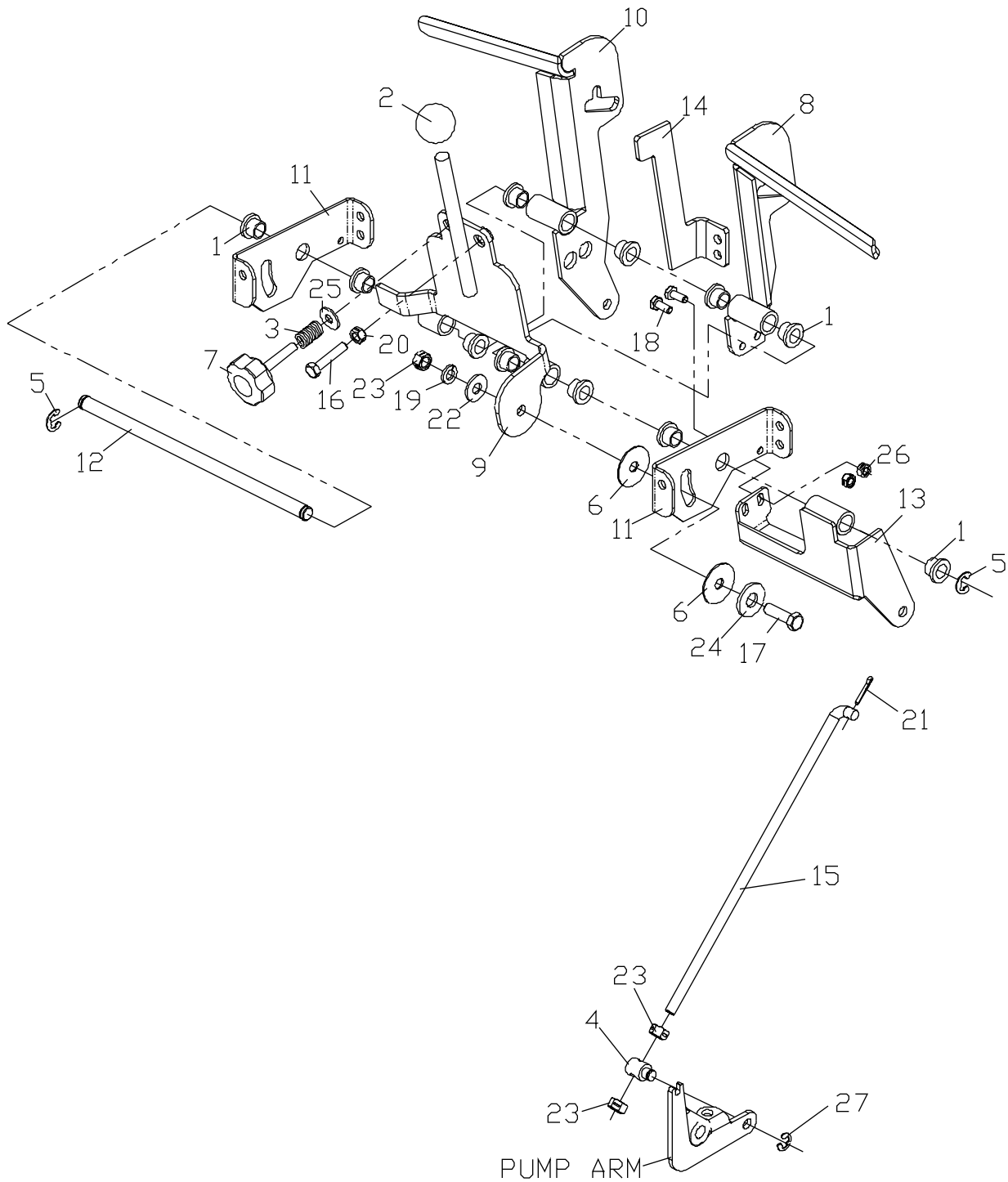
Handle Assembly



Handle Assembly

ITEM	PART NO.	QTY	DESCRIPTION
1	539101080	1	SWITCH N.C.
2	539101220	1	THROTTLE CABLE
3	539102678	4	TAPPED PLATE
4	539102986	1	BLADE LINKAGE
5	539102992	1	SWIVEL
6	539102998	1	WASHER, FRICTION
7	539105821	1	NEUTRAL BAIL
8	539105842	2	GRIP
9	539105834	1	OP LEVER, LEFT
10	539105936	1	HANDLE
11	539105952	1	OP LEVER, RIGHT
12	539105995	1	DECAL, CONSOLE
13	539106086	1	BLADE ENGAGE LEVER
14	539106089	1	BLADE ENGAGE BRKT.
15	539911853	1	KEY SWITCH
16	539912063	1	WASHER, CONE
17	539916459	1	RET. RING
18	539919098	1	SWITCH
19	539923408	2	SWITCH N.C.
20	539976526	1	GRIP
21	539976934	8	HCS 5/16 X .750
22	539976952	8	SCREW #10 X .625
23	539976977	2	NUT #10 NYLOC
24	539976979	1	NUT 3/8 NYLOC
25	539977250	2	SPRING
26	539990072	2	HCS 1/4 X .625
27	539990118	1	WASHER 3/8 LOCK
28	539990184	8	NUT 3/8 CTR. LOCK
29	539990411	2	SCREW #10 X .500
30	539990517	2	WASHER 3/8 FLAT
31	539990546	10	NUT 3/8 CTR. LOCK
32	539990563	6	HCS 3/8 X 1.00
33	539990598	2	WASHER 1/4 FLAT
34	539990655	1	HCS 3/8 X 1.500
35	539990761	2	NUT 1/4 CTR. LOCK
36	539990870	1	RET. RING

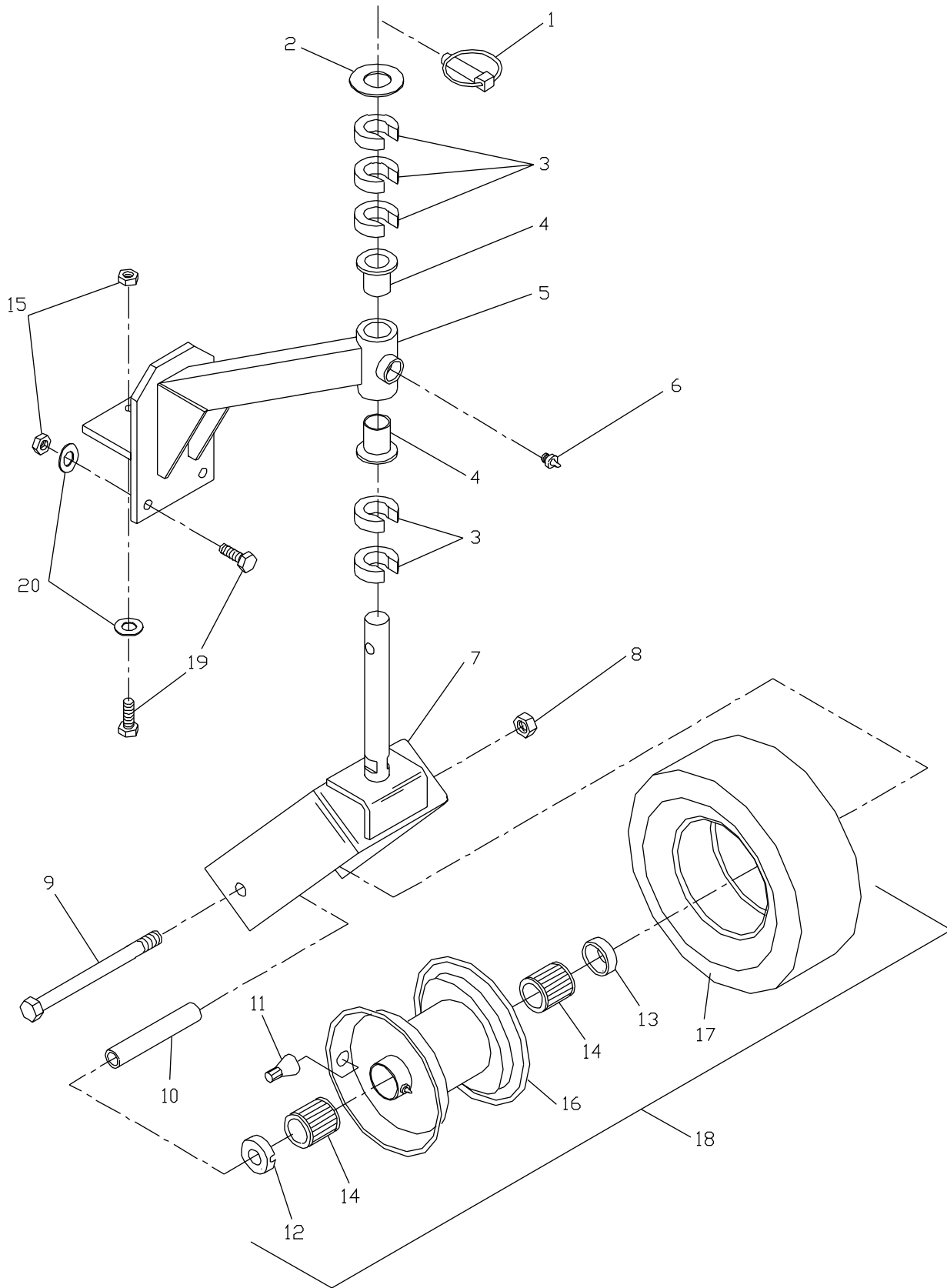
Handle Motion Control Assembly



Handle Motion Control Assembly

ITEM	PART NO.	QTY	DESCRIPTION
1	539100032	11	FLANGED BUSHING
2	539100147	1	KNOB
3	539101224	1	SPRING
4	539101940	2	SWIVEL
5	539101949	2	E-RING 1/2
6	539102998	2	WASHER FRICTION
7	539103003	1	KNOB
8	539105818	1	PADDLE, LEFT
9	539105820	1	NEUTRAL BAR
10	539105824	1	PADDLE, RIGHT
11	539105830	2	CROSS BRACE
12	539105877	1	SHAFT
13	539105880	1	TAB, LEFT
14	539105963	1	STOP PLATE
15	539106093	2	DRIVE LINKAGE
16	539976935	1	HCS 5/16 X 1.500
17	539976941	1	HCS 3/8 X 1.250
18	539990072	2	HCS 1/4 X .625
19	539990118	1	WASHER 3/8 LOCK
20	539990184	1	NUT 5/16 CTR. LOCK
21	539990365	2	COTTER PIN
22	539990517	1	WASHER 3/8 FLAT
23	539990546	5	NUT 3/8 CTR. LOCK
24	539990550	1	WASHER 1/2 FLAT
25	539990692	1	WASHER 5/16 FLAT
26	539990761	2	NUT 1/4 CTR. LOCK
27	539990870	2	RET. RING

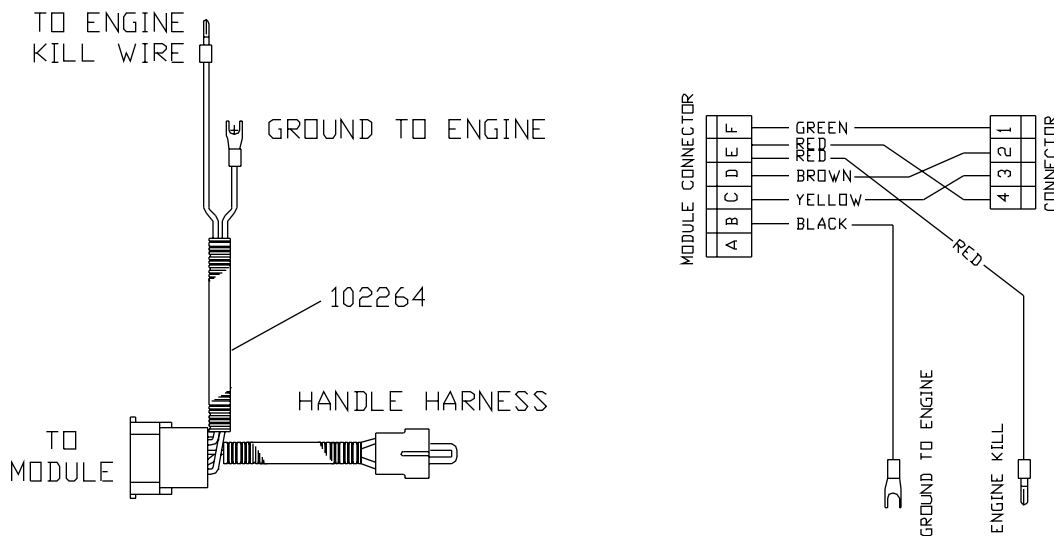
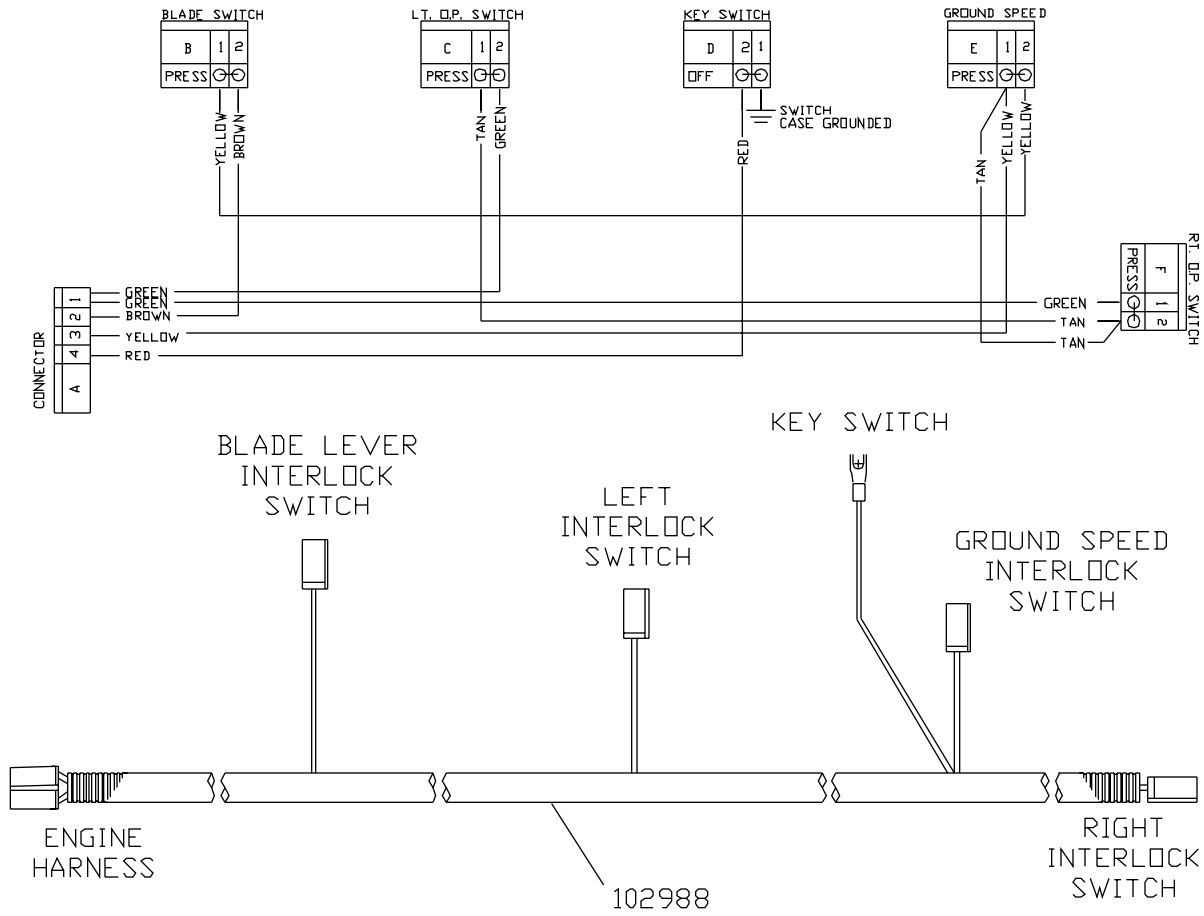
Front Caster Assembly



Front Caster Assembly

ITEM	PART NO.	QTY.	DESCRIPTION
1	539101874	1	7/16 LYNCH PIN
2	539916561	1	MACH. BUSHING
3	539101873	5	"C"-SPACER
4	539101232	2	FLANGE BUSHING
5	539104555	1	CASTER ARM W/BUSHING
6	539976997	1	ZERK 1/8 NPT
7	539104554	1	CASTER YOKE
8	539101331	1	1/2C NYLOC NUT
9	539101907	1	HCS 1/2C X 5 1/2
10	539101872	1	SPACER
11	539912234	1	AIR VALVE
12	539977356	1	NOTCHED ENDCAP
13	539923557	1	ENDCAP
14	539977353	2	ROLLER BEARING
15	539990546	3	HLN 3/8C
16	539104618	1	RIM
17	539101905	1	9" TIRE
18	539104556	1	TIRE & WHEEL ASS.
19	539990563	3	HCS 3/8C X 1
20	539990517	3	FW 3/8 STD
21	539104559	1	FRONT WHEEL CASTER ASM. KIT
			(INCLUDES ITEMS 1 THRU 20)

Wiring Harness Assembly



THIS PAGE LEFT BLANK INTENSIONALLY

For Husqvarna Parts Call 606-678-9623 or 606-561-4983



www.mymowerparts.com