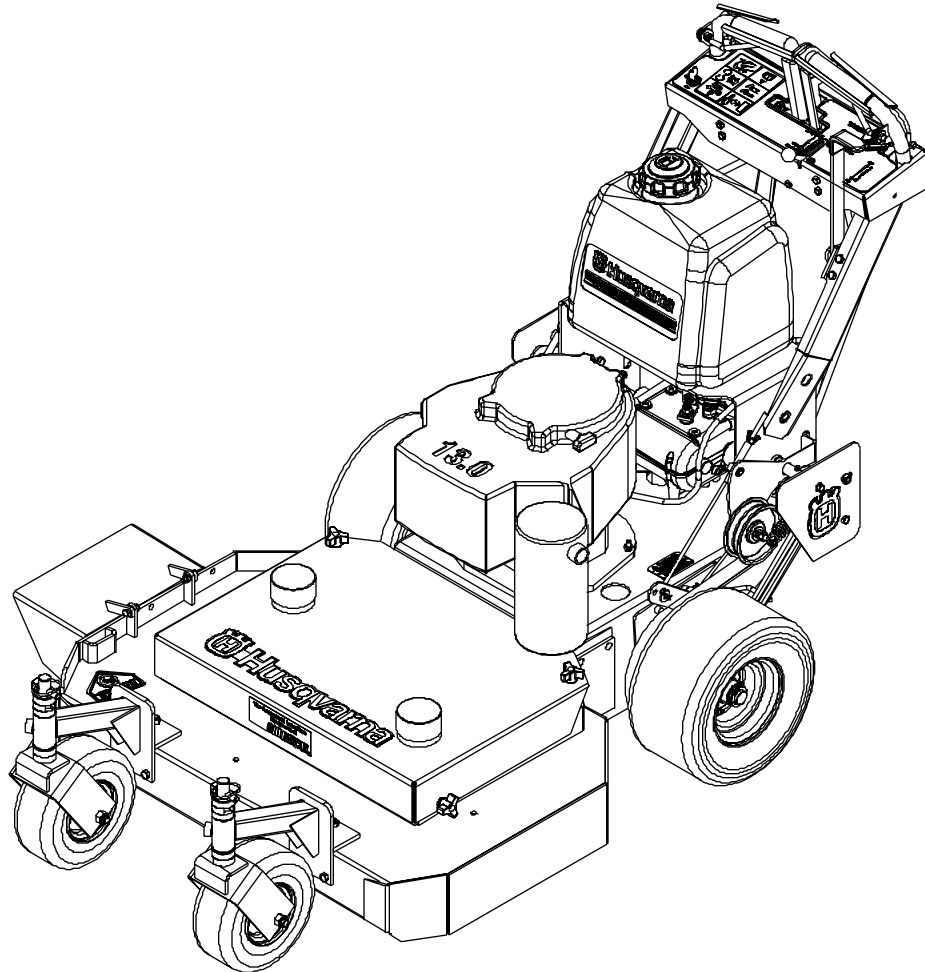


For Husqvarna Parts Call 606-678-9623 or 606-561-4983



## Parts Manual

## Models:

968999117 / W3613ETS

968999120 / W4815ETS

MANUAL NO. 539106458 REV. IR (09/20/01)

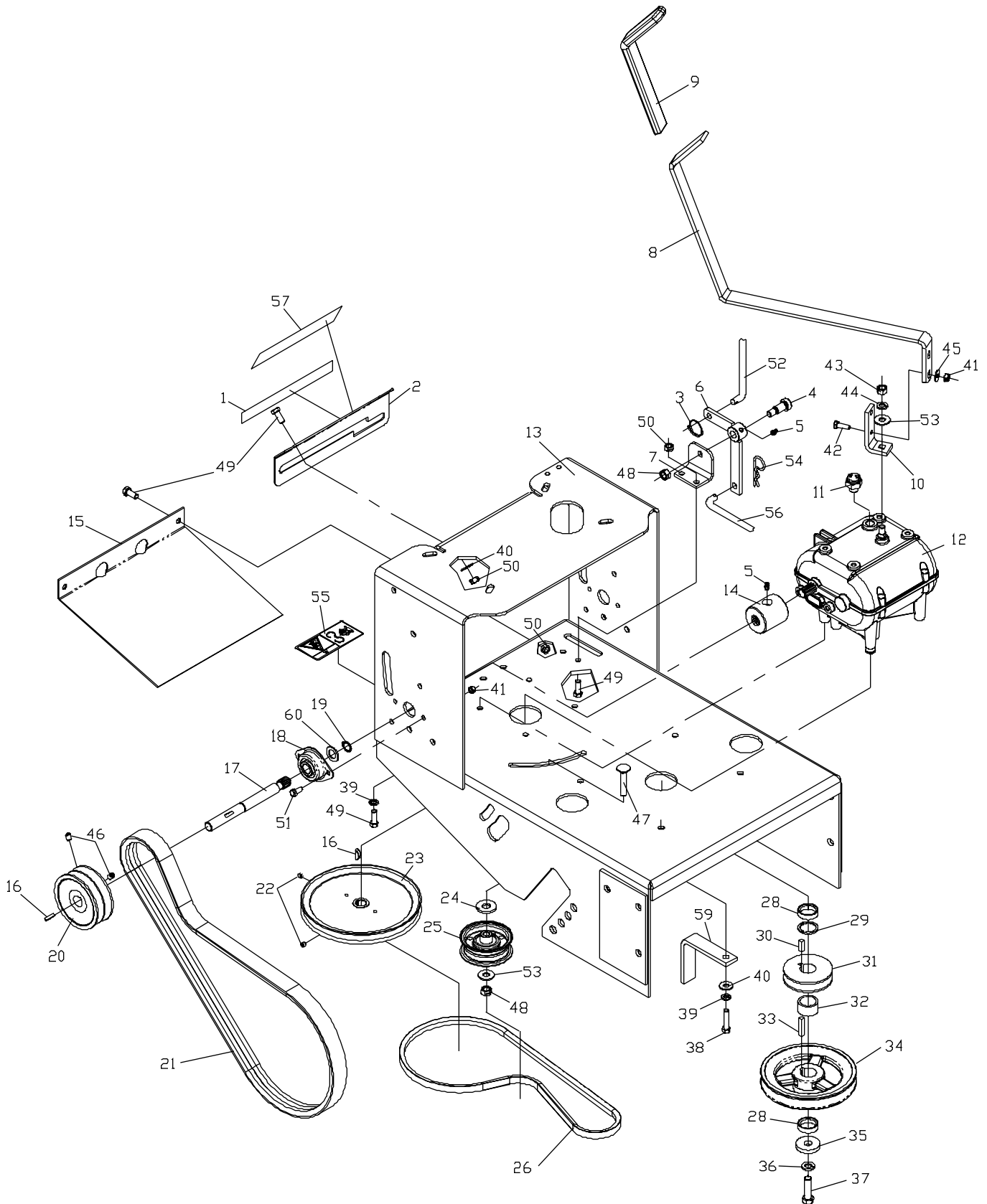
[www.mymowerparts.com](http://www.mymowerparts.com)



## TABLE OF CONTENTS

REAR DECK ASSEMBLY .....	4
DRIVE WHEEL & AXLE ASSEMBLY .....	6
TRACTION WHEEL ASSEMBLY .....	8
UPPER HANDLE ASSEMBLY .....	10
36" FRONT DECK ASSEMBLY .....	12
48" FRONT DECK ASSEMBLY .....	14
CUTTER HOUSING ASSEMBLY .....	16
FRONT CASTER ASSEMBLY .....	18
TRANSMISSION ASSEMBLY .....	20
WIRING ASSEMBLY .....	22

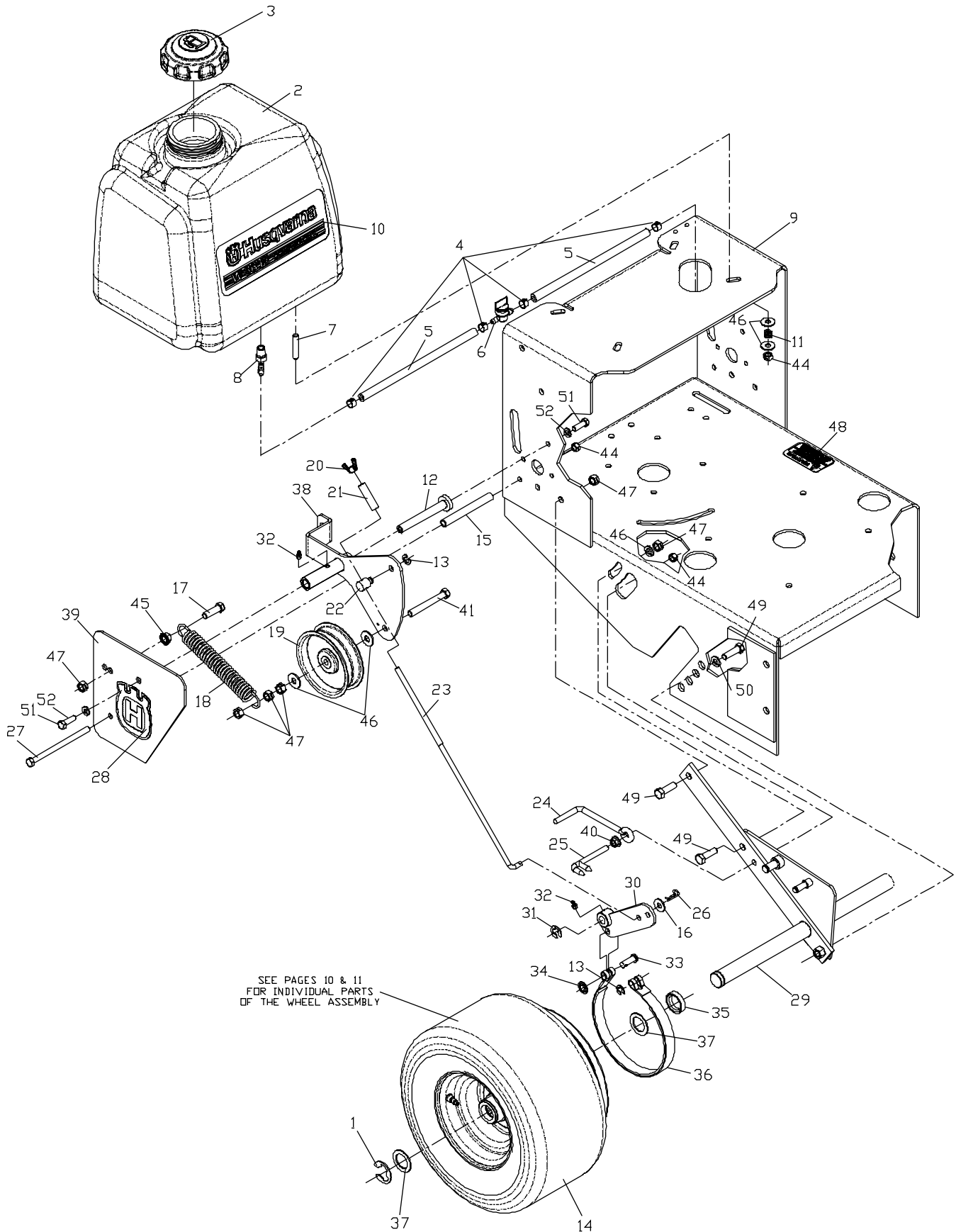
# Rear Deck Assembly



## Rear Deck Assembly

ITEM	PART NO.	QTY.	DESCRIPTION	ITEM	PART NO.	QTY.	DESCRIPTION
1	539100277	1	DECAL, SHIFTER	33	539101995	1	KEY 1/4SQ. X 1.125
2	539101960	1	SHIFTER PLATE	34	539101834	1	ENGINE PULLEY
3	539916459	1	RETAINER	35	539106504	1	HEAVY WASHER
4	539100150	1	SB 1/2 X .750	36	539990247	1	WASHER 7/16 LOCK
5	539976998	3	ZERK	37	539100141	1	HCS 7/16 X 1.5
6	539100066	1	BELLCRANK	38	539997692	4	HCS 5/16 X 1.750
7	539101930	1	BRACKET	39	539990187	8	WASHER 5/16 LOCK
8	539101961	1	SHIFTER ARM	40	539990692	6	WASHER 5/16 FLAT
9	539101965	1	SHIFTER GRIP	41	539990761	6	NUT 1/4 LOCK
10	539102165	1	SHIFTER BRACKET	42	539977761	2	HCS 1/4 X 1.0
11	539100148	1	TRANS. SWITCH	43	539990155	1	NUT 3/8F
12	539102162	1	TRANSMISSION	44	539990118	1	WASHER 3/8 LOCK
13	539106554	1	REAR DECK W/DECLS.	45	539990598	2	WASHER 1/4 FLAT
14	539102164	2	COUPLING	46	539976956	4	SETSCR. 5/16 NYLOC
15	539104547	1	LWR. BELT SHIELD	47	539100145	1	RHSNB 3/8 X 2.0
16	539910211	3	KEY #9 WOODRUFF	48	539990546	2	NUT 3/8 LOCK
17	539102163	2	DRIVE SHAFT	49	539976934	10	HCS 5/16 X .750
18	539101967	2	BEARING	50	539990184	6	NUT 5/16 LOCK
19	539101971	2	RETAINERRING	51	539990072	4	HCS 1/4 X .625
20	539101954	2	DRIVE PULLEY	52	539101972	1	BLADE ROD
21	539101956	2	DRIVE BELT	53	539990517	2	WASHER 3/8 FLAT
22	539101988	2	SETSCR. 1/4 NYLOC	54	539976989	1	HAIRPIN #4
23	539101964	1	INPUT PULLEY	55	539105744	1	DECAL, BELT DRIVE
24	539990550	1	WASHER 1/2 FLAT	56	539102031	1	BLADE ROD 48"
25	539919078	1	IDLER PULLEY		539102048	1	BLADE ROD 36"
26	539101957	1	BELT, TRANSMISSION	57	539102047	1	DECAL, CLUTCH
27	539102036	1	BELT GUIDE	58	539991043	2	MACH. BUSHING
28	539921960	2	SPACER	59	539103462	2	BELT GUIDE LONG, 48"
29	539102050	1	MACH. BUSHING		539103462	1	BELT GUIDE LONG, 36"
30	539105718	1	KEY 1/4 SQ. X .500	60	539103463	1	BELT GUIDE SHORT, 36"
31	539919148	1	PULLEY				
32	539101720	1	SPACER				

# Drive Wheel & Axle Assembly

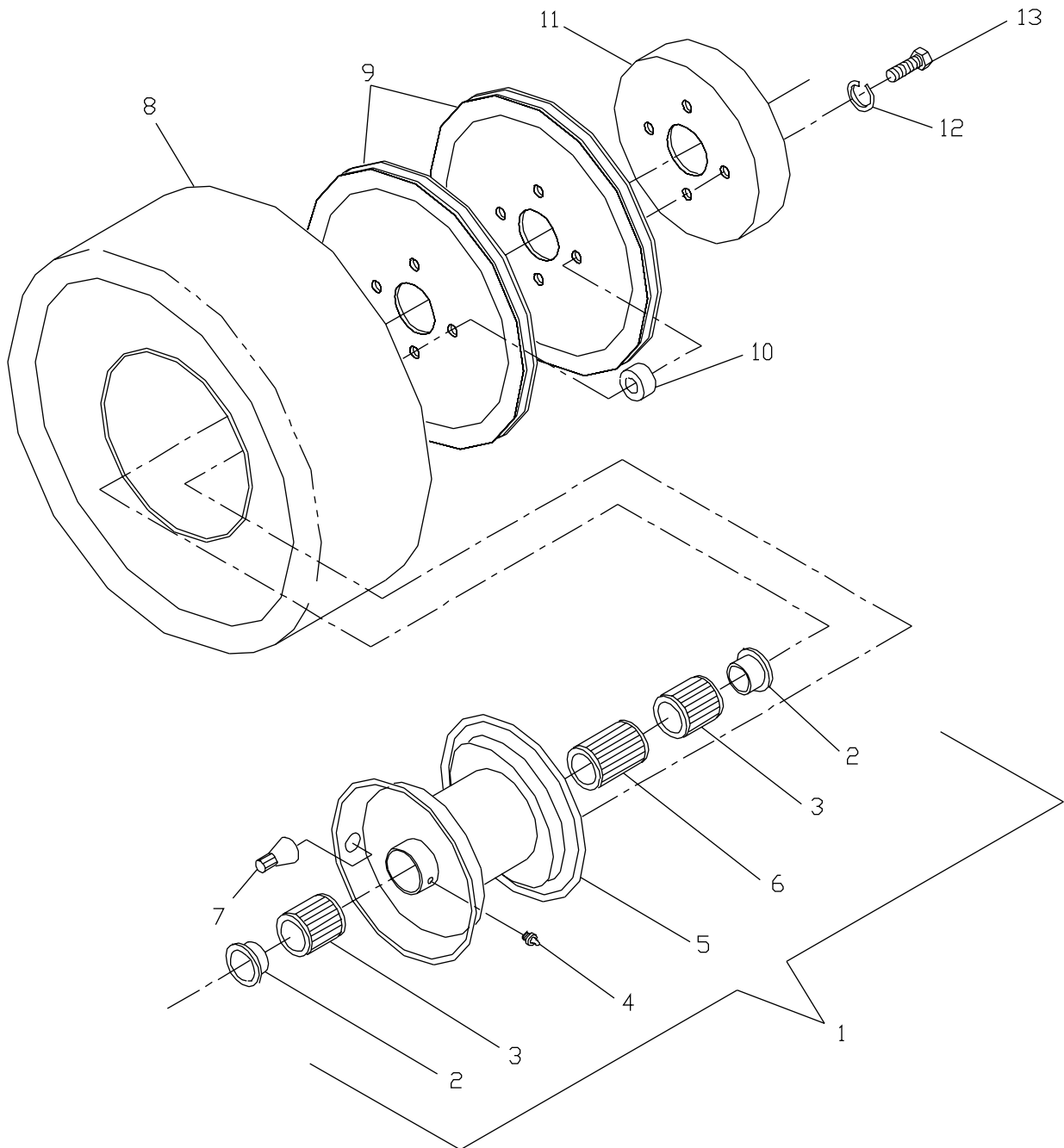


SEE PAGES 10 & 11  
FOR INDIVIDUAL PARTS  
OF THE WHEEL ASSEMBLY

## Drive Wheel & Axle Assembly

ITEM	PART NO.	QTY.	DESCRIPTION
1	539912730	2	E-RING 1"
2	539105630	1	FUEL TANK
3	539104962	1	GAS CAP
4	539912222	4	HOSE CLAMP
5	539932956	2	GAS LINE 10"
6	539916325	1	FULE VALVE
7	539102502	4	STUD 5/16
8	539102650	1	HOSE BARB
9	539106554	1	REAR DECK W/DECALS
10	539104829	1	DECAL, W3613
	539104831	1	DECAL, W4815
11	539102845	4	SPRING
12	539102188	2	SHOULDER PIVOT TUBE
13	539990870	4	E-RING 3/8"
14	539104757	2	WHEEL ASSEMBLY (INCLUDES PULLEYS AND BRAKE DRUM)
15	539101992	2	LONG SPACER
16	539990692	12	WASHER 5/16 FLAT
17	539976941	2	HCS 3/8 X 1.250
18	539101977	2	SPRING
19	539101955	2	IDLER PULLEY
20	539100276	2	WINGNUT 5/16 NYLOC
21	539100097	2	SPACER
22	539101940	2	SWIVEL
23	539101939	2	BRAKE ROD
24	539101973	2	BELT GUIDE
25	539102035	2	SCRAPER
26	539976988	4	HAIRPIN #2
27	539990145	2	HCS 5/16 X 5.0
28	539104789	2	DECAL, CROWN
29	539101939	1	AXLE WELDMENT
30	539101934	2	BRAKE ARM, RT.
31	539101949	2	E-RING 1/2"
32	539976998	4	ZERK
33	539102049	2	CLEVIS PIN
34	539913847	2	BOLT RET. 3/8
35	539921960	2	SPACER
36	539101945	2	BRAKE BAND
37	539916561	4	MACH. BUSHING
38	539106032	1	IDLER ARM, RT.
	539106031	1	IDLER ARM, LT.
39	539101969	2	FENDER
40	539990585	2	HFLN 5/16
41	539101350	2	TAP BOLT 3/8 X 3.0
42	539990761	4	NUT 1/4 LOCK
43	539977761	4	HCS 1/4 X 1.0
44	539990184	8	NUT 5/16 LOCK
45	539990613	2	HFLN 3/8
46	539990517	8	WASHER 3/8 FLAT
47	539990546	12	NUT 3/8 LOCK
48	539101881	1	DECAL, PROP 65
49	539990563	6	HCS 3/8 X 1.0
50	539990118	2	WASHER 3/8 LOCK
51	539990209	4	HCS 5/16 X 1.0
52	539990187	4	WASHER 5/16 LOCK

## Traction Wheel Assembly

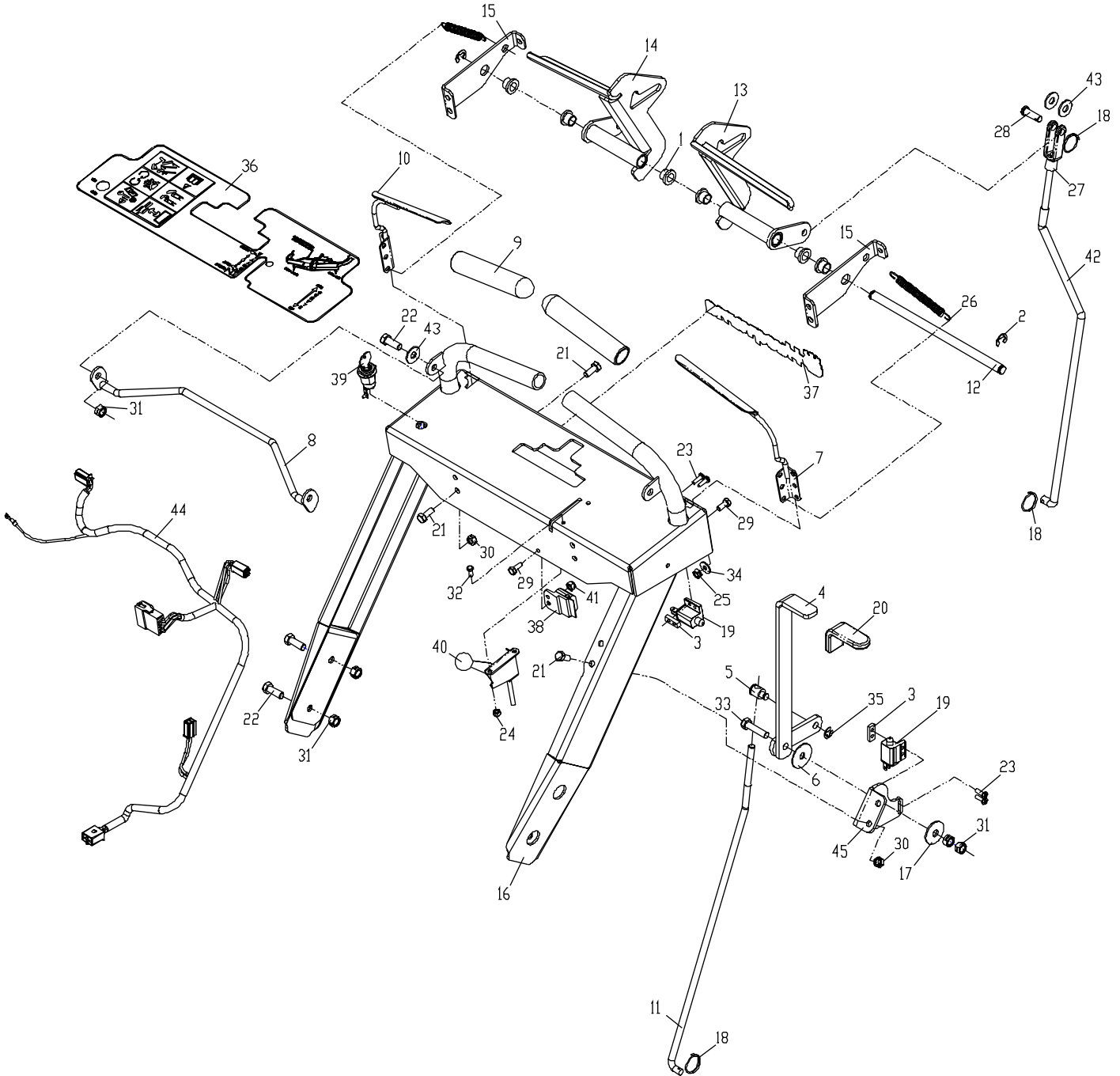




## Traction Wheel Assembly

ITEM	PART NO.	QTY.	DESCRIPTION
1	539104758	1	WHEEL ASM. (INCLUDES ITEMS 2 THRU 8)
2	539100395	2	END CAP
3	539102161	2	ROLLER BEARING(SHORT)
4	539976998	1	ZERK 1/4-28 STRHT
5	539104759	1	RIM (INCLUDES ITEMS 4 & 7)
6	539100393	1	ROLLER BEARING(LONG)
7	539912234	1	AIR VALVE
8	539923788	1	TIRE
9	539938473	2	TRACTION PULLEY
10	539923515	4	SPACER
11	539101946	1	BRAKE DRUM
12	539990118	4	SLW 3/8 STD
13	539990164	4	HCS 3/8F X 1 1/2

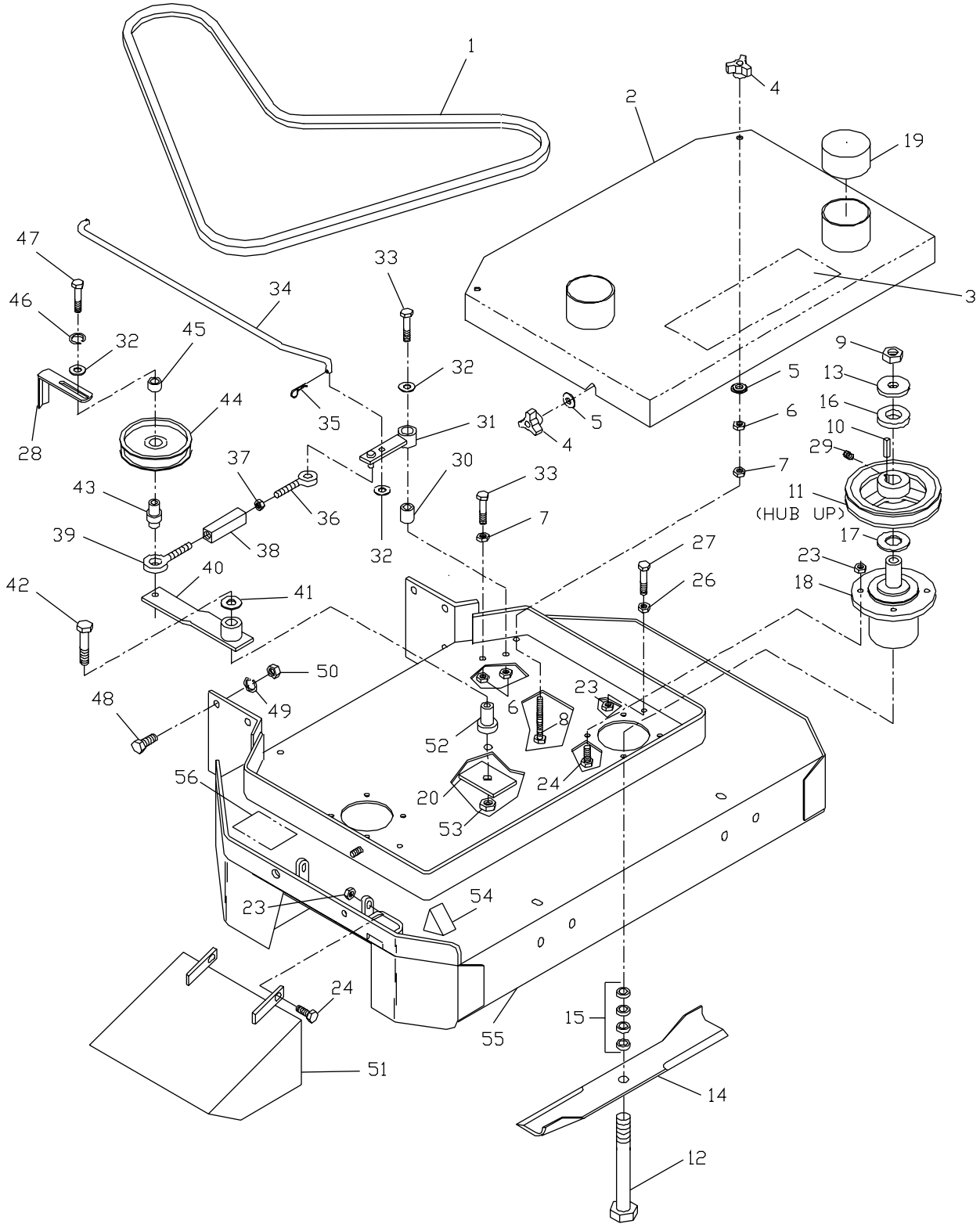
# Upper Handle Assembly



## Upper Handle Assembly

ITEM	PART NO.	QTY.	DESCRIPTION
1	539100032	6	BUSHING, FLANGED NYLON
2	539101949	2	E-RING 1/2"
3	539102678	3	TAPPED PLATE
4	539106086	1	ENGAGEMENT LEVER
5	539102992	1	SWIVEL
6	539102998	1	WASHER, FRICTION
7	539105834	1	OP LEVER, LT.
8	539105841	1	NEUTRAL BAIL
9	539105842	2	GRIP
10	539105952	1	OP LEVER, RT.
11	539106015	1	BLADE ENGAGE. LINKAGE
12	539106016	1	CENTER PIVOT SHAFT
13	539106017	1	DRIVE LVR. WLDMT. LT.
14	539106018	1	DRIVE LVR. WLDMT RT.
15	539106025	2	SUPPORT BRACKET
16	539106026	1	HANDLE WLDMT.
17	539912063	1	WASHER, CONE
18	539916459	5	RETAINER RING
19	539919098	3	SWITCH
20	539976526	1	GRIP
21	539976934	8	HCS 5/16 X .750
22	539990563	6	HCS 3/8 X 1.0
23	539976952	6	SCREW #10 X .625
24	539976977	2	NUT #10 NYLOC
25	539990761	2	NUT 1/4 LOCK
26	539977250	2	SPRING
27	539977465	2	YOKE 3/8F
28	539977703	2	CLEVIS PIN
29	539990072	3	HCS 1/4 X .625
30	539990184	8	NUT 5/16 LOCK
31	539990546	8	NUT 3/8 LOCK
32	539990411	2	# 10 X .500
33	539990655	1	HCS 3/8 X 1.5
34	539990598	2	WASHER 1/4 FLAT
35	539990870	1	RET. RING
36	539106011	1	DECAL, CONSOLE
37	539104787	1	DECAL, HUSQVARNA
38	539101781	1	MODULE
39	539911853	1	KEY SWITCH
40	539101220	1	THROTTLE CABLE
41	539976978	1	NUT 1/4 NYLOC
42	539106062	2	DRIVE LINKAGE
43	539990517	6	WASHER 3/8 FLAT
44	539106071	1	UPPER HARNESS
45	539106089	1	BLADE ENGAGE. BRACKET
46	539976856	2	WIRE TIE

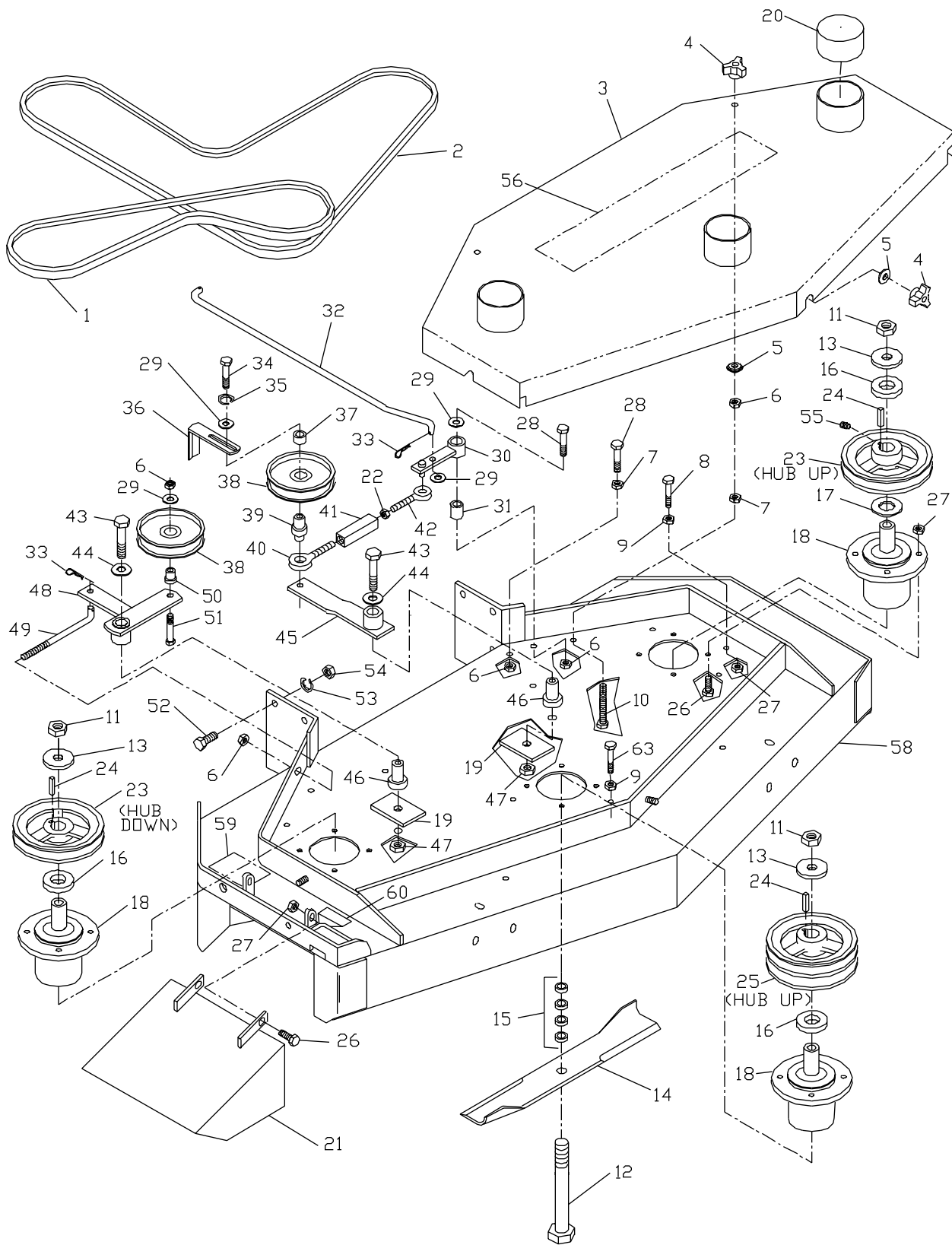
# 36" Deck Assembly



## 36" Deck Assembly

ITEM	PART NO.	QTY.	DESCRIPTION	ITEM	PART NO.	QTY.	DESCRIPTION
1	539101959	1	36" DECK BELT	30	539101836	1	SLEEVE BUSHING
2	539104561	1	36" BELT SHIELD	31	539101979	1	ENGAGEMENT ARM
3	539104790	1	DECAL, HUSQVARNA	32	539990517	3	FW 3/8 STD
4	539102070	4	THREE PRONG KNOB	33	539990629	2	HCS 3/8C X 2 1/4
5	539102056	4	3/8 SEALING WASHER	34	539102048	1	BLADE ROD
6	539990546	4	HLN 3/8C	35	539976988	1	#2 HAIRPIN
7	539990613	3	3/8C WHIZ NUT	36	539101982	1	RT. HAND EYEBOLT
8	539102334	2	TAPBOLT 3/8C X 4 1/2	37	539990196	1	5/16C HEXNUT
9	539976980	2	HN 5/8F	38	539101983	1	TURNBUCKLE
10	539101995	2	KEY 1/4SQ. X 1 1/8	39	539101981	1	LT. HAND EYEBOLT
11	539976398	2	PULLEY W/SETSCREWS	40	539101978	1	ARM W/LDMT
12	539102332	2	HCS 5/8F X 8 1/2	41	539990550	1	FW 1/2 STD
13	539102243	2	SUPPORT WASHER	42	539101332	1	HCS 1/2C X 2 3/4
14	539100341	2	BLADE 18"(36)	43	539101980	1	EYEBOLT PIVOT
15	539976436	8	BLADE SPACERS	44	539976688	1	IDLER PULLEY
16	539102245	2	SPACER	45	539102656	1	SPACER
17	539102675	2	MACH. BUSHING 10GA.	46	539990118	1	3/8 LOCK WASHER
18	539102440	2	HOUSING ASM.	47	539990637	1	HCS 3/8C X 2 1/2
19	539102320	2	TUBE CAP	48	539101175	6	HCS 7/16C X 1 1/2
20	539102236	1	PAD	49	539990247	6	7/16 LOCK WASHER
23	539990184	16	HLN 5/16C	50	539990449	6	7/16C HEXNUT
24	539990209	10	HCS 5/16C X 1	51	539104546	1	DEFLECTOR CHUTE
26	539990585	6	HFLN 5/16C	52	539101231	1	IDLER SPINDLE
27	539990553	6	HCS 5/16C X 3	53	539101331	1	HLN 1/2C NYLOC
28	539100075	1	SNUBBER	54	539913010	1	DECAL, CPSC
29	539976956	4	5/16 NYLOC SETSCREW	55	539104563	1	36" DECK W/DECALS
				56	539105746	1	DECAL, SEVERING
				57	539105071	1	DECAL, NASCAR

# 48" Deck Assembly



## 48" Deck Assembly

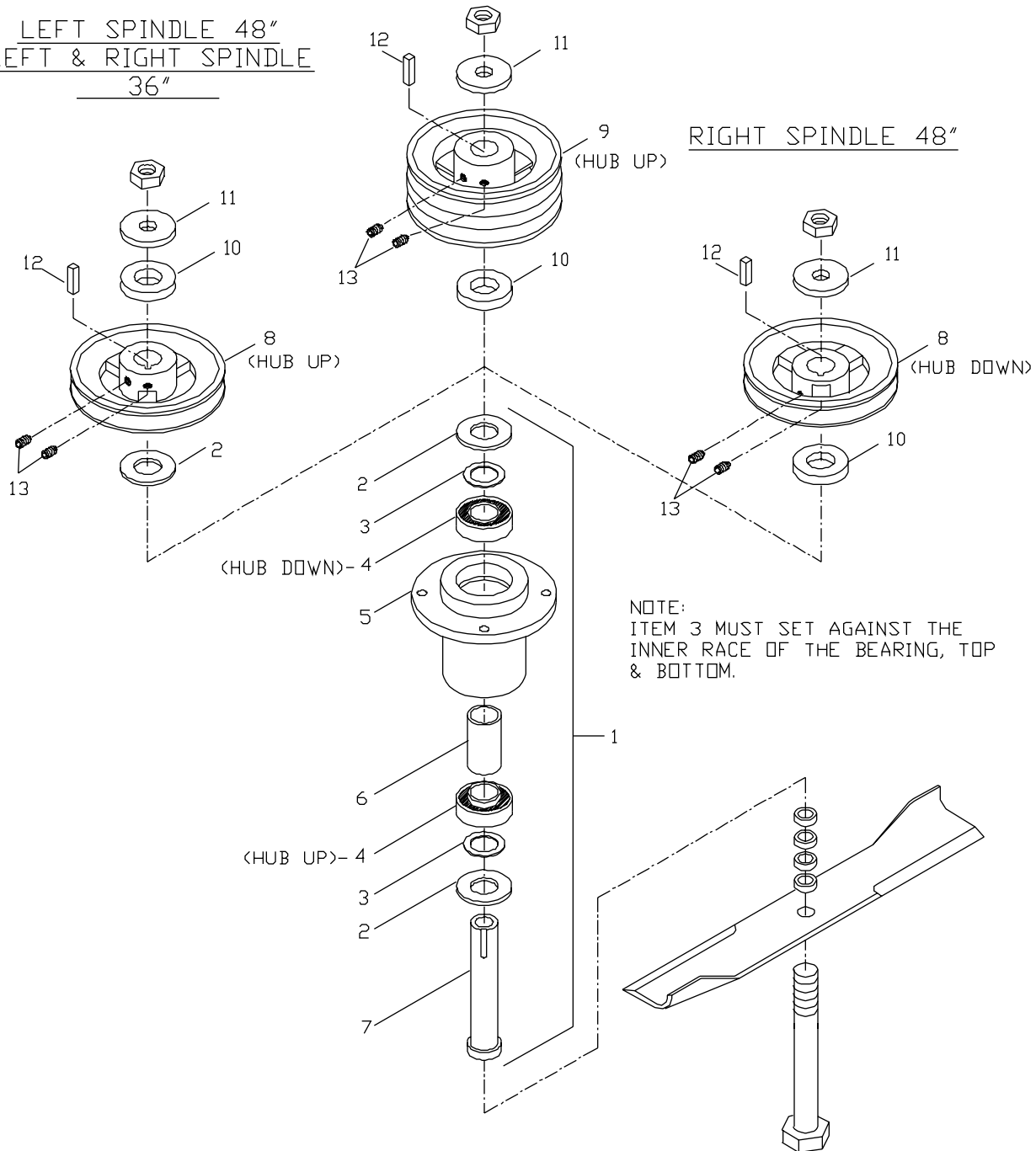
ITEM	PART NO.	QTY.	DESCRIPTION	ITEM	PART NO.	QTY.	DESCRIPTION
1	539100024	1	AUX. BLADE BELT	31	539101836	1	SLEEVE BUSHING
2	539101958	1	BLADE BELT 48	32	539102031	1	BLADE ROD 48"
3	539104562	1	48" BELT SHIELD	33	539976988	2	#2 HAIRPIN
4	539102070	5	THREE PRONG KNOB	34	539990637	1	HCS 3/8C X 2 1/2
5	539102056	5	3/8 SEALING WASHER	35	539990118	1	3/8 LOCK WASHER
6	539990546	6	HLN 3/8C	36	539100075	1	SNUBBER
7	539990613	6	HFLN 3/8C	37	539102656	1	SPACER
8	539990553	4	HCS 5/16CX3	38	539976688	2	IDLER PULLEY
9	539990585	7	HFLN 5/16C	39	539101980	1	EYEBOLT PIVOT
10	539102334	2	TAPBOLT-3/8C X 4 1/2	40	539101981	1	LEFT HAND EYEBOLT
11	539976980	3	HN 5/8F	41	539101983	1	TURNBUCKLE
12	539102332	2	HCS 5/8F X 8 1/2	42	539101982	1	RH. EYEBOLT
	539101100	1	HCS 5/8F X 9(CENTER)	43	539101332	2	HCS 1/2C X 2 3/4
13	539102243	3	SUPPORT WASHER	44	539990550	3	1/2 FLAT WASHER
14	539100340	3	BLADE 16 1/4"	45	539101978	1	ARM WLDMT
15	539976436	12	BLADE SPACERS	46	539101231	2	IDLER SPINDLE
16	539102245	3	SPACER	47	539101331	2	1/2C NYLOC NUT
17	539102675	1	MACH. BUSHING 10 GA.	48	539102237	1	AUX. IDLER ARM
18	539102440	3	HOUSING ASM.	49	539102337	1	TENSION ROD
19	539102236	2	PAD	50	539976695	1	IDLER FLANGE BUSHING
20	539102320	3	TUBE CAP	51	539990730	1	HCS 3/8C X 1 3/4
21	539104546	1	DEFLECTOR CHUTE	52	539101175	6	HCS 7/16C X 1 1/2
22	539990196	1	5/16C HEX NUT	53	539990247	6	7/16 LOCK WASHER
23	539976398	2	PULLEY W/SETSCRS	54	539990449	6	7/16C HEX NUT
24	539101995	3	1/4SQ. KEY X 1 1/8	55	539976956	6	5/16 NYLOC SETSCREW
25	539101819	1	DOUBLE PULLEY	56	539104790	1	DECAL, HUSQVARNA
26	539990209	14	HCS 5/16C X 1	57	539105071	1	DECAL, NASCAR
27	539990184	21	HLN 5/16C	58	539104564	1	48" DECK W/DECALS
28	539990629	2	HCS 3/8C X 2 1/4	59	539105746	1	DECAL, SEVERING
29	539990517	4	FW 3/8 STD	60	539913010	1	DECAL, CPSC
30	539101979	1	ENGAGEMENT ARM	63	539102335	3	HCS 5/16C X 4

# Cutter Housing Assembly

CENTER SPINDLE 48"

LEFT SPINDLE 48"  
LEFT & RIGHT SPINDLE  
36"

RIGHT SPINDLE 48"





## Cutter Housing Assembly

ITEM	PART NO.	QTY.	DESCRIPTION
1	539102440	1	CUTTER HOUSING ASM. (INCLUDES ITEMS 2 THRU 7)
2	539102675	3	MACH. BUSING 10GA.
3	539102244	2	MACH. BUSING 18GA.
4	539102677	2	BEARING
5	539102673	1	HOUSING
6	539102676	1	SPACER
7	539102674	1	SPINDLE
8	539976398	1	PULLEY
9	539101819	1	DOUBLE PULLEY
10	539102245	1	3/8" SPACER
11	539102243	1	1/4" SPACER
12	539101995	1	KEY 1/4 SQ. X 1 1/8"
13	539976956	2	5/16 NYLOC SETSCREW

**SEE PAGES 12 THRU 15 FOR CORRECT BLADE BOLT, NUT, BLADE SPACERS, AND BLADE FOR YOUR MODEL.**

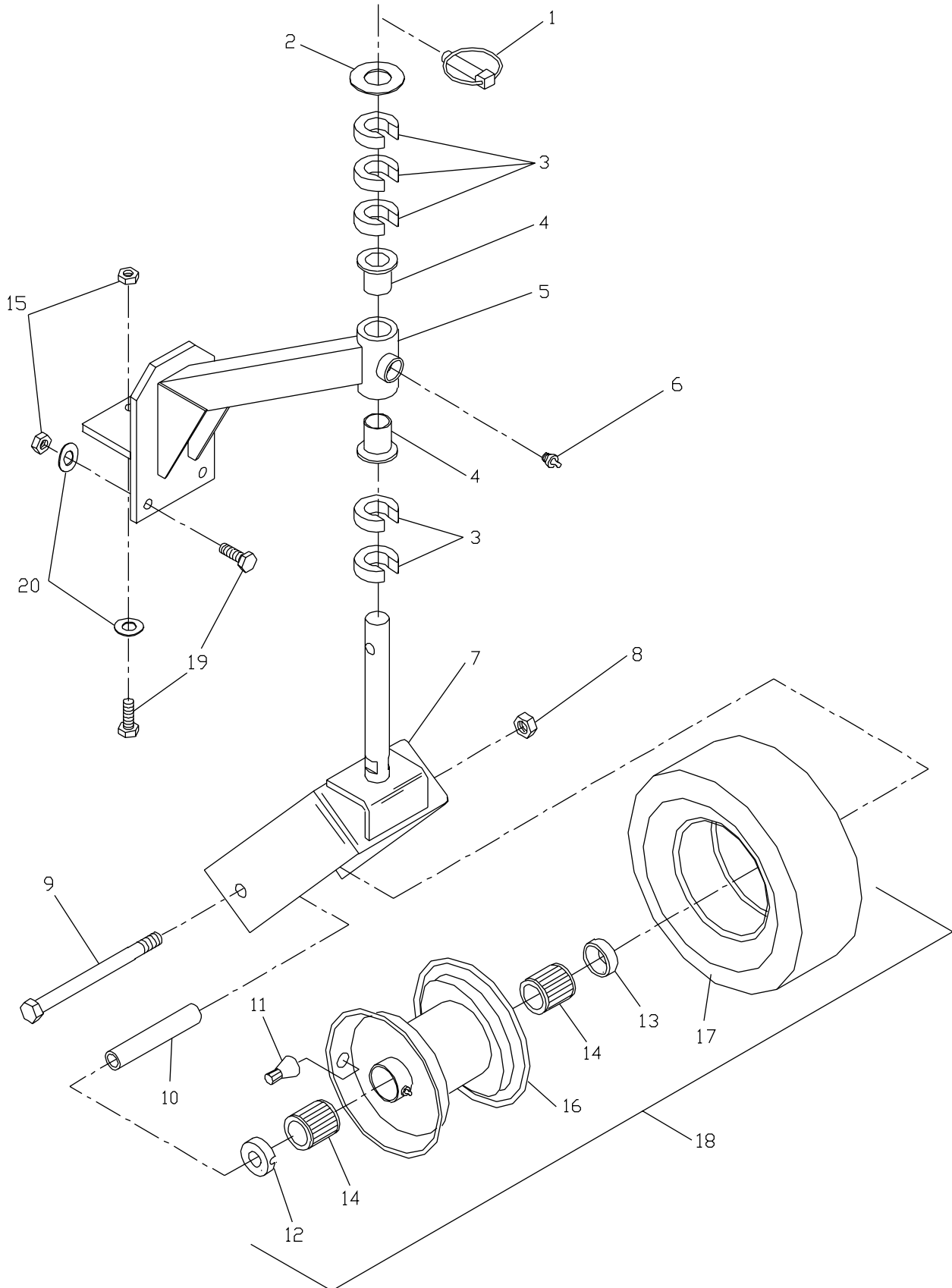
**NOTE:**

**THIS HOUSING ASSEMBLY (ITEM 1) IS USED IN CONJUNCTION WITH DIFFERENT PULLEYS AND SPACERS. IT IS CRITICAL THAT YOU USE THE RIGHT SPACERS IN THE RIGHT LOCATION FOR THE DIFFERENT SPINDLE COMBINATIONS. (ALSO REFER TO THE KUTTER OPERATOR'S MANUAL)**

**NOTE:**

**THIS HOUSING ASSEMBLY (ITEM 1) WILL NOT WORK IF THESE ITEMS ARE NOT IN THEIR PROPER LOCATION OR ORIENTATION**

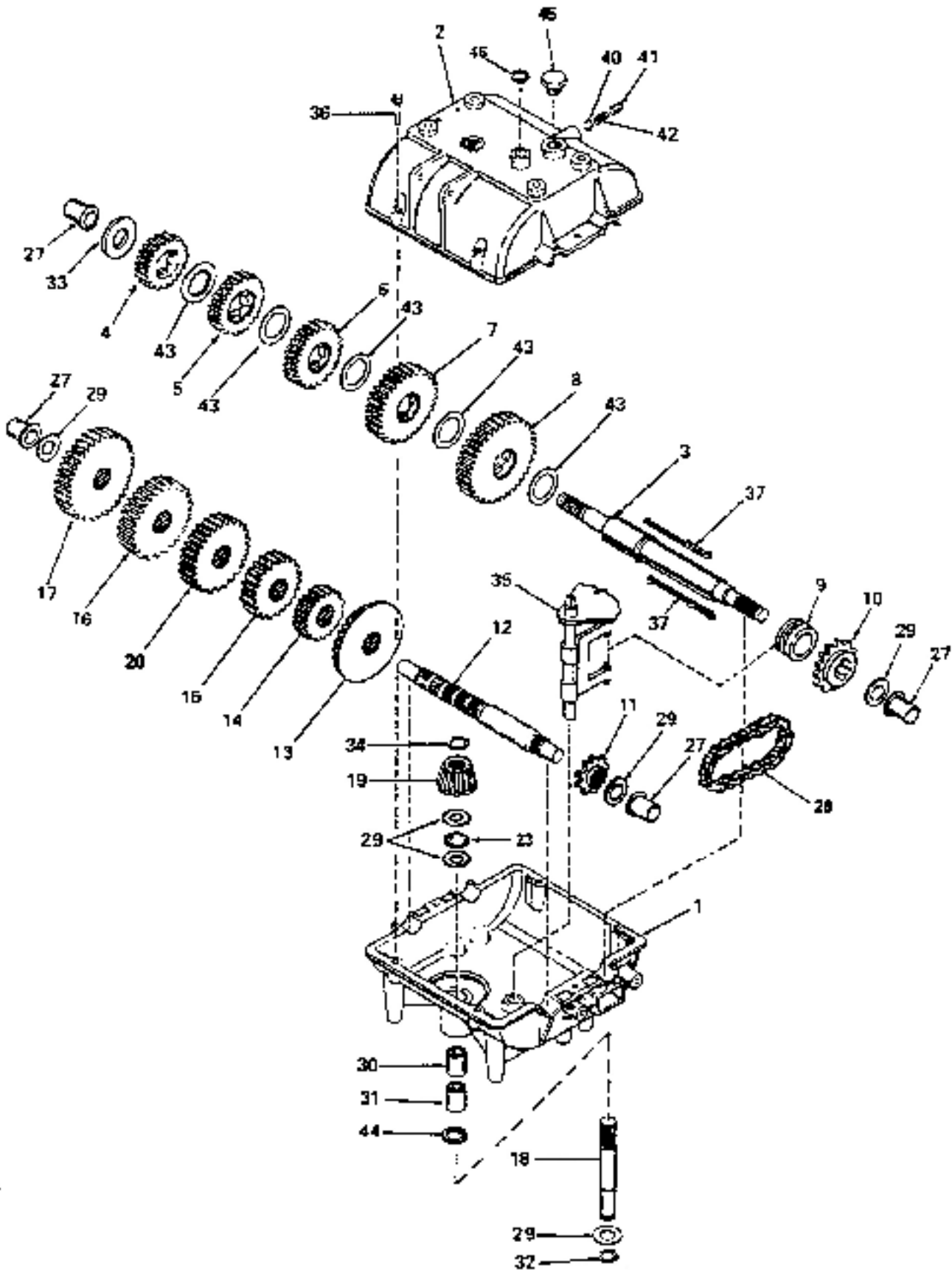
## Front Caster Assembly



## Front Caster Assembly

ITEM	PART NO.	QTY.	DESCRIPTION
1	539101874	1	7/16 LYNCH PIN
2	539916561	1	MACH. BUSHING
3	539101873	5	"C"-SPACER
4	539101232	2	FLANGE BUSHING
5	539104555	1	CASTER ARM W/BUSHING
6	539976997	1	ZERK 1/8 NPT
7	539104554	1	CASTER YOKE
8	539101331	1	1/2 C NYLOC NUT
9	539101907	1	HCS 1/2 C X 5 1/2
10	539101872	1	SPACER
11	539912234	1	AIR VALVE
12	539977356	1	NOTCHED ENDCAP
13	539923557	1	ENDCAP
14	539977353	2	ROLLER BEARING
15	539990546	3	HLN 3/8 C
16	539104618	1	RIM
17	539101905	1	9" TIRE
18	539104556	1	TIRE & WHEEL ASS.
19	539990563	3	HCS 3/8 C X 1
20	539990517	3	FW 3/8 STD
21	539104559	1	FRONT WHEEL CASTER ASM. KIT
			(INCLUDES ITEMS 1 THRU 20)

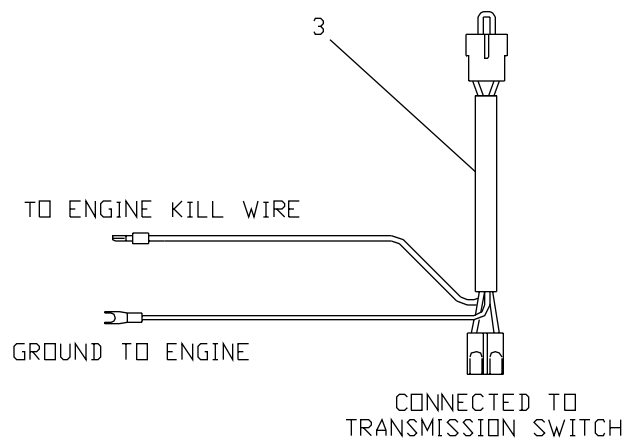
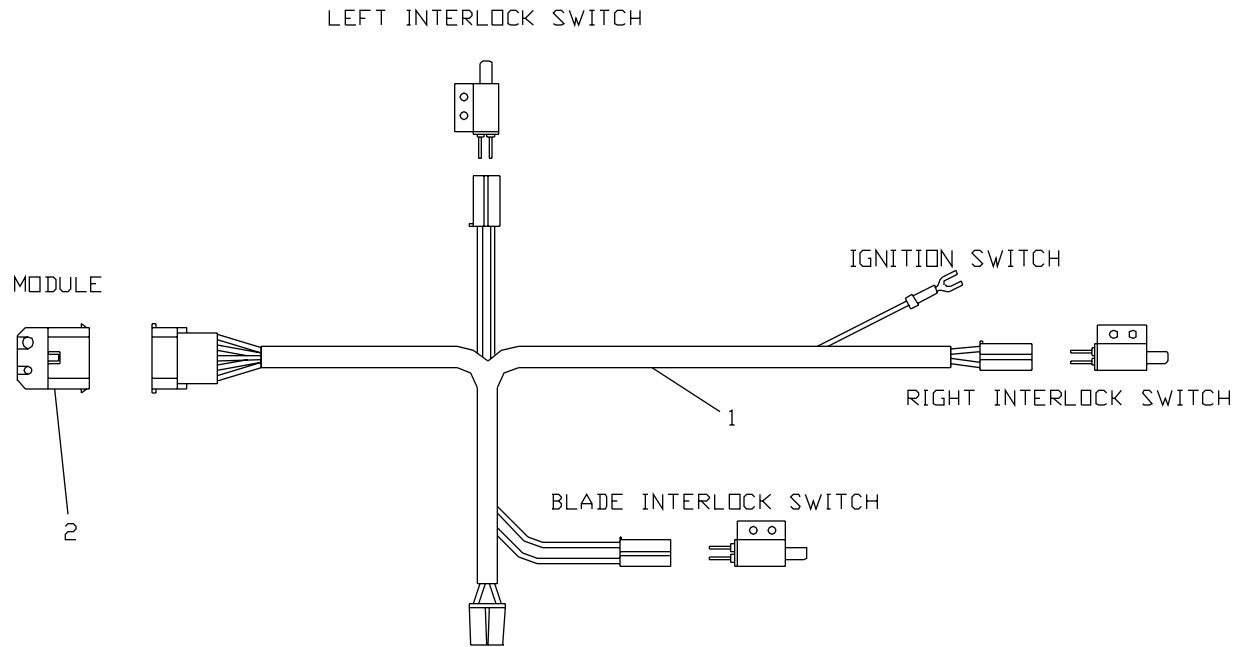
## Transmission Assembly



## Transmission Assembly

ITEM	PART NO.	QTY.	DESCRIPTION
1	539102075	1	TRANSMISSIONCASE
2	539100371	1	TRANSMISSIONCOVER
3	539102179	1	OUTPUT & BRAKE SHAFT
4	539102077	1	SPUR GEAR (27 TEETH)
5	539100377	1	SPUR GEAR (30 TEETH)
6	539102078	1	SPUR GEAR (32 TEETH)
7	539100376	1	SPUR GEAR (35 TEETH)
8	539102079	1	SPUR GEAR (37 TEETH)
9	539977561	1	SHIFT COLLAR
10	539977562	1	SPROCKET (18 TEETH)
11	539977563	1	SPROCKET (9 TEETH)
12	539977564	1	COUNTERSHAFT
13	539977565	1	BEVEL GEAR (42 TEETH)
14	539102080	1	SPUR GEAR (12 TEETH)
15	539102081	1	SPUR GEAR (15 TEETH)
16	539100382	1	SPUR GEAR (20 TEETH)
17	539102082	1	SPUR GEAR (23 TEETH)
18	539977571	1	INPUT SHAFT
19	539100372	1	INPUT BEVEL PINION
20	539102083	1	SPUR GEAR (18 TEETH)
23	539100374	1	THRUST BEARING
27	539977573	4	FLANGED BUSHING
28	539977574	1	ROLLER CHAIN (NO.41 CHAIN, 24 LINKS)
29	539977575	6	THRUST WASHER
30	539977592	1	NEEDLE BEARING
31	539977576	1	NEEDLE BEARING
32	539977577	1	RETAINING RING
33	539102084	1	THRUST WASHER
34	539977579	1	RETAINING RING
35	539102180	1	SHIFT ROD & FORK
36	539977581	6	SCREW, FLANGED HEX HD. 1/4-20 X 1-1/4
37	539977582	4	KEY
40	539977583	1	STEEL BALL, 5/16"
41	539977584	1	SET SCREW, 3/8-16 X 3/8"
42	539977585	1	SPRING
43	539977586	5	THRUST WASHER
44	539977587	1	"O" RING
45	539100148	1	THREADED PLUG
46	539100388	1	SQUARE CUT SEAL
47	539102162	1	COMPLETE TRANSMISSION (NOT SHOWN)

## Wiring Assembly



## Wiring Assembly

ITEM	PART NO.	QTY.	DESCRIPTION
1 .....	539106071	..... 1 .....	UPPER HARNESS
2 .....	539101781	..... 1 .....	MODULE
3 .....	539106085	..... 1 .....	LOWER HARNESS

For Husqvarna Parts Call 606-678-9623 or 606-561-4983



[www.mymowerparts.com](http://www.mymowerparts.com)