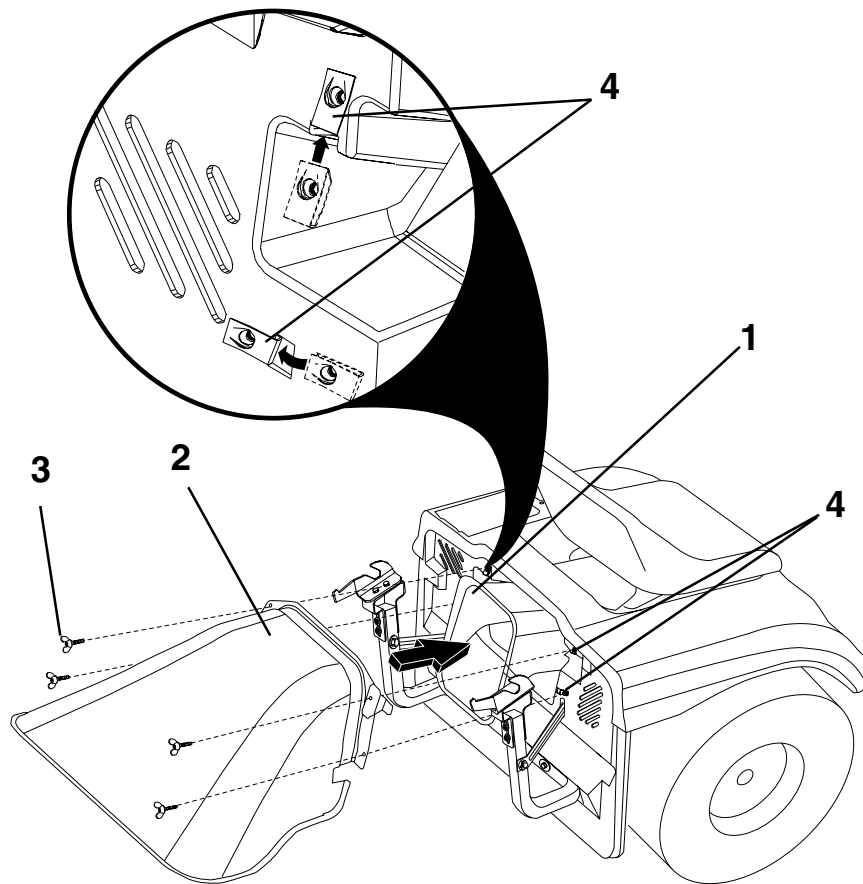


For Husqvarna Parts Call 606-678-9623 or 606-561-4983  
**CTH Rear Deflector Kit (954 12 00-91)**



1. Discharge Chute
2. Deflector (532 16 72-12)
3. Wing Screw (532 16 73-66)
4. Threaded Insert (532 17 48-14)

## Installation

- Install discharge chute through opening in backplate and slide over deck adaptor.
  - Attach the chute by hooking the two straps into the holes in the flange of the chute.
- NOTE:** If your tractor does not have four (4) threaded inserts in the backplate, install the four (4) inserts provided as shown.
- Install the discharge deflector to the backplate by screwing the four (4) wing screws into the threaded inserts located in the backplate.
  - Tighten the wing screws securely.

## To Convert Mower

(Converting to mulching or rear discharging will require the purchase of these accessories.)

### To Mulching

- Place deck into the high cut position.
  - Remove bagger or optional rear discharge deflector.
  - Unhook the two (2) straps and remove discharge chute
  - Insert plug and handle assembly through back plate and onto the mower deck chute adaptor.
  - Retain the plug assembly by connecting the two straps over the handle and hook into the holes provided.
  - Replace bagger or optional rear discharge deflector to allow mower to operate.
- You are now ready to begin mulching.

### To Rear Discharging

- Place deck into the high cut position.
- Remove bagger and mulching plug (if installed).
- Install discharge chute through opening in backplate and slide over deck adaptor.
- Attach the chute by hooking the two straps into the holes in the flange of the chute.
- Install the discharge deflector to the backplate by screwing the four (4) wing screws into the threaded inserts located in the backplate.
- Tighten the wing screws securely.

### To Bagging

- Place deck into the high cut position.
- Remove the rear discharge deflector or mulching plug.
- Insert the discharge chute into the opening in the backplate and onto the mower deck adaptor.
- Attach the chute to the tractor by hooking the two straps to the flange of the chute.
- Install bagger into tractor.