

For Husqvarna Parts Call 606-678-9623 or 606-561-4983

ILLUSTRATED PARTS BREAKDOWN

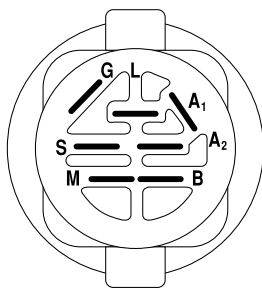
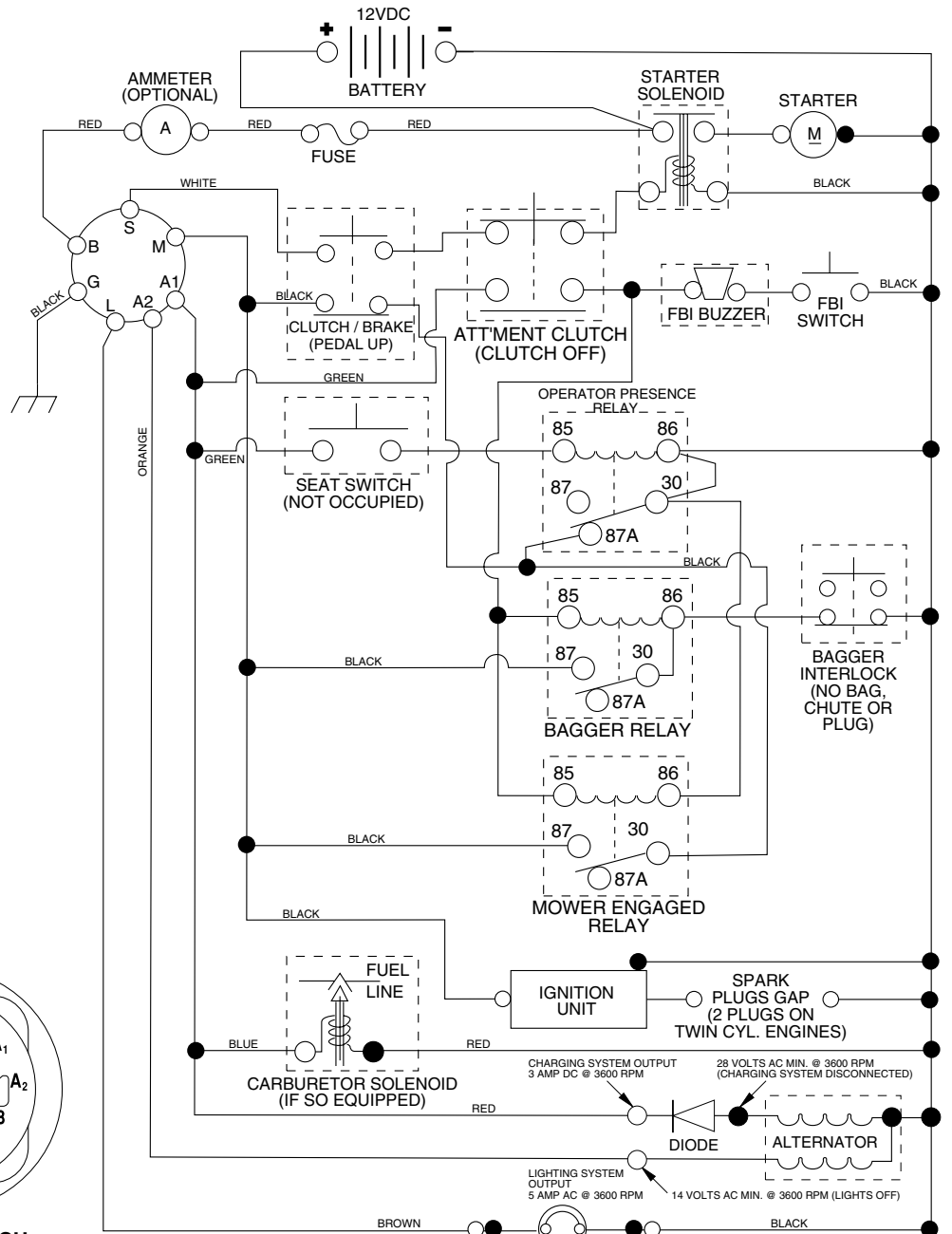
HUSQVARNA

13 HP 36" (92CM) LAWN TRACTOR

MODEL NO. CT130 (HECT130D)

954 17 00-17

SCHEMATIC



IGNITION SWITCH

POSITION	CIRCUIT	"MAKE"
OFF	M+G+A1	NONE
RUN/LIGHT	B+A1	A2+L
RUN	B+A1	NONE
START	B + S + A1	NONE

WIRING INSULATED CLIPS
NOTE: IF WIRING INSULATED CLIPS WERE REMOVED FOR SERVICING OF UNIT, THEY SHOULD BE REPLACED TO PROPERLY SECURE YOUR WIRING.

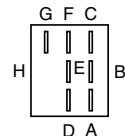
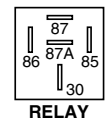


PTO SWITCH

POSITION	CIRCUIT
OFF	C + G, B + H
ON	C + F, B + E, A + D

NOTE

YOUR TRACTOR IS EQUIPPED WITH A SPECIAL ALTERNATOR SYSTEM. THE LIGHTS ARE NOT CONNECTED TO THE BATTERY, BUT HAVE THEIR OWN ELECTRICAL SOURCE. BECAUSE OF THIS, THE BRIGHTNESS OF THE LIGHTS WILL CHANGE WITH ENGINE SPEED. AT IDLE THE LIGHTS WILL DIM, AS THE ENGINE IS SPEEDED UP, THE LIGHTS WILL BECOME THEIR BRIGHTEST.

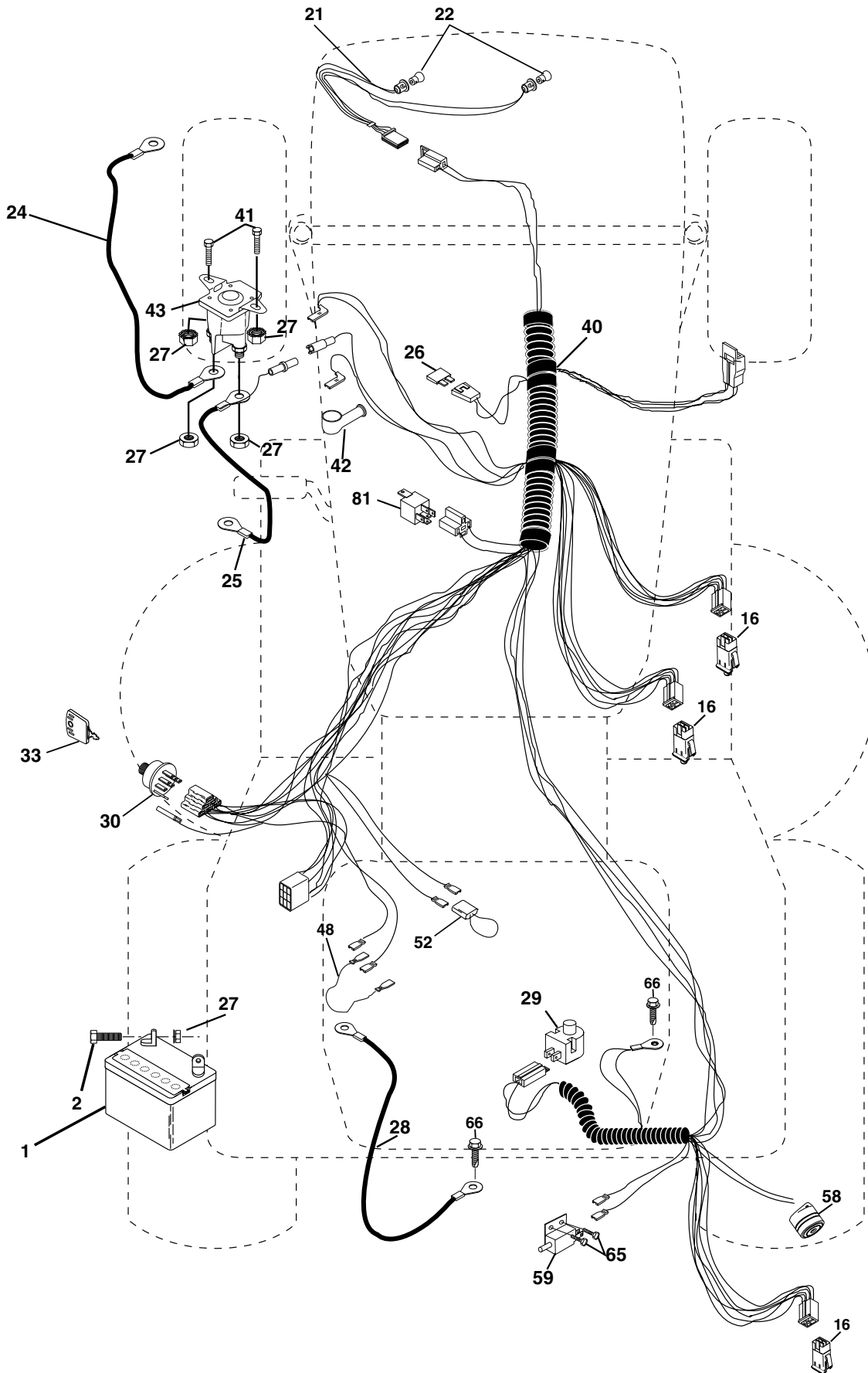


For Husqvarna Parts Call 606-678-9623 or 606-561-4983

REPAIR PARTS

TRACTOR- -MODEL NO. CT130 (HECT130D) PRODUCT NO. 954 17 00-17

ELECTRICAL



For Husqvarna Parts Call 606-678-9623 or 606-561-4983

REPAIR PARTS

TRACTOR- -MODEL NO. CT130 (HECT130D) PRODUCT NO. 954 17 00-17
ELECTRICAL

KEY NO.	PART NO.	DESCRIPTION
1	532 14 49-25	Battery 12 Volt 25 AMP Wet
2	874 76 04-12	Bolt Hex Hd 1/4-20 Unc X 3/4
16	532 15 36-64	Switch Interlock Push-In
21	532 16 61-81	Harness Asm Light W/4152J
22	532 00 41-52	Bulb Light #1156
24	532 12 47-80	Cable Starter 6Ga 11" Red
25	532 16 59-87	Cable Battery Crd 56" Red
26	532 16 61-80	Fuse 15 Amp
27	873 51 04-00	Nut Keps Hex 1/4-20 Unc
28	532 12 77-25	Cable Ground 6Ga 18" Black
29	532 16 07-84	Switch Plunger Normal Op Olive
30	532 17 55-66	Switch Ignition
33	532 14 04-01	Key Ign Molded
40	532 17 01-64	Harness Ign Crd Noram
41	871 11 04-08	Bolt Flk Fin Hex 1/4-20 Unc X 1/2
42	532 13 15-63	Cover Terminal Red
43	532 17 51-41	Solenoid
48	532 14 08-44	Adapter Ammeter Rectangular
52	532 14 19-40	Protection Wire Loop
58	532 16 94-19	Buzzer Crd
59	532 16 62-99	Switch FBI CRD
65	817 21 10-08	Screw Slftp #10-16 x 1/2 Ty-Ab
66	817 49 06-08	Screw Thdrol 3/8-16 x 1/2 Ty-Tt
81	532 10 97-48	Relay Asm

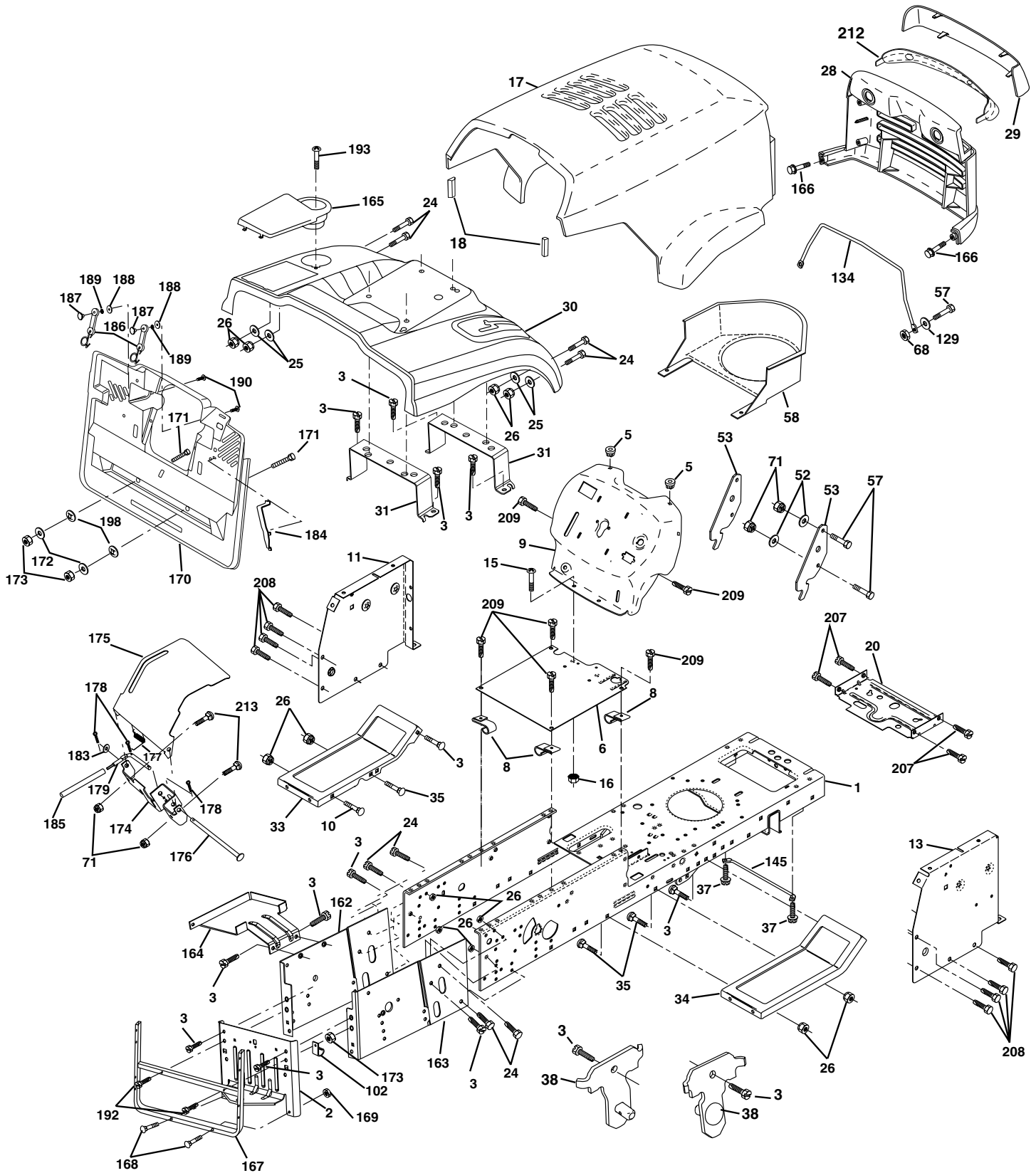
NOTE: All component dimensions given in U.S. inches.
1 inch = 25.4 mm.

For Husqvarna Parts Call 606-678-9623 or 606-561-4983

REPAIR PARTS

TRACTOR- -MODEL NO. CT130 (HECT130D) PRODUCT NO. 954 17 00-17

CHASSIS AND ENCLOSURES



REPAIR PARTS

TRACTOR- -MODEL NO. CT130 (HECT130D) PRODUCT NO. 954 17 00-17
CHASSIS AND ENCLOSURES

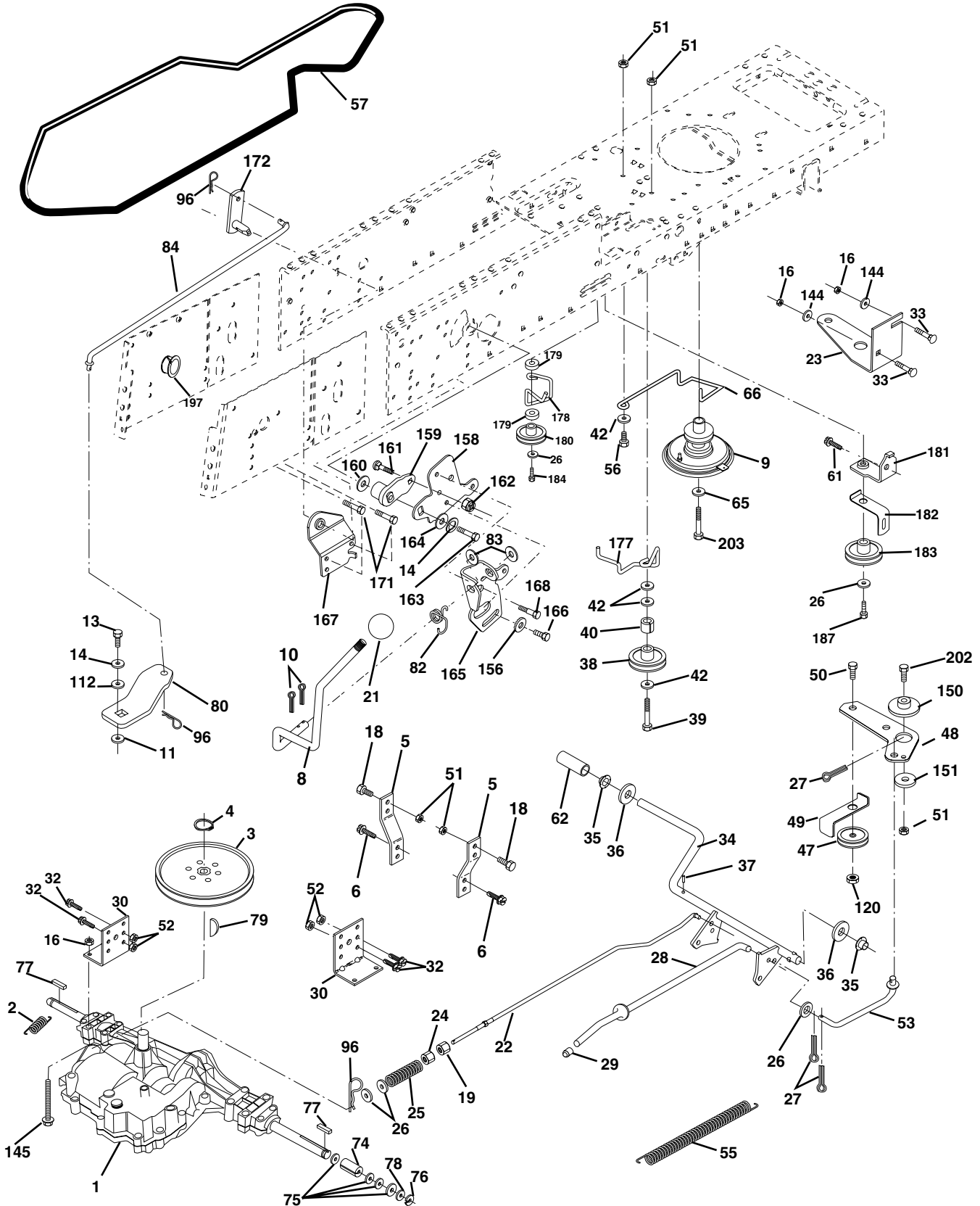
KEY NO.	PART NO.	DESCRIPTION	KEY NO.	PART NO.	DESCRIPTION
1	532 16 98-31	Chassis Stamping	163	532 16 56-73	Bracket Exten Chassis Rh CRD
2	532 16 56-06	Drawbar	164	532 16 56-05	Support Battery CRD
3	817 06 06-12	Screw 3/8-16 x 3/4	165	532 16 79-79	Cover Battery CRD Lt
5	532 15 52-72	BumperHood/Dash	166	532 16 48-63	Screw Hwhd Hi-Lo #13-16 x 3/4
6	532 15 59-23	Saddle	167	532 16 57-79	Support Asm. Backplate WLDMNT
8	532 12 64-71	Clip Insulator 13/32 Mtg. Hole	168	872 05 04-12	Bolt, RDHD SHT NK 1/4-20 x 1-1/2
9	532 17 17-96	Dash	169	532 12 39-76	Nut, Lock 1/4 LGE FLG Gr. 5 Zinc
10	872 14 06-08	Bolt, Carriage 3/8-16 x 3/4	170	532 17 52-64	Backplate Asm CRD
11	532 15 59-27	Panel, Dash, L.H.	171	874 52 06-40	Bolt Hex 3/8-16 x 2-1/2 Gr. 5
13	532 17 21-08	Panel, Asm. Dash R.H.	172	819 13 20-16	Washer 13/32 x 1-1/4 x 16 Ga.
15	874 18 05-12	Screw, Machine, Truss Head 5/16-18 UNC x 3/4	173	873 51 06-00	Nut, Keps Hex 3/8-16 UNC
16	873 51 05-00	Nut	174	532 16 59-39	Bracket Switch FBI CRD
17	532 16 53-78	Hood Assembly	175	532 16 62-12	Guard Door Rear CRD
18	532 12 69-38	BumperHood	176	532 12 86-00	Pin Hinge Pivot
20	532 15 64-37	Plate Mtg. Battery/Fuel Tank	177	532 13 27-96	Spring Bagger Top LH Black
24	874 78 06-16	Bolt	178	876 02 03-12	Pin Cotter 3/32 x 3/4 Cad Zinc
25	819 13 13-12	Washer 13/32 x 13/16 x 12 Gauge	179	532 16 59-42	Rod Pivot FBI CRD
26	873 80 06-00	Nut	180	874 76 05-16	Bolt Hex HD 5/16-18 UNC x 1
28	532 16 53-79	Grille PL	181	873 68 05-00	Nut Crownlock 5/16-18
29	532 16 53-80	Lens, Grille	182	532 13 82-00	Washer .385 x .625 x 11 Ga.
30	532 16 84-28	Fender	183	819 13 13-16	Washer 13/32 x 13/16 x 16 Ga.
31	532 16 51-56	Bracket, Fender Support	184	532 17 46-62	Bracket Actuator Bagger CRD
33	532 14 72-03	Footrest, L.H.	185	532 16 59-40	Tube Lever Switch FBI CRD
34	532 14 72-02	Footrest, R.H.	186	532 16 07-93	Latch Asm Mulch/Bagger
35	872 11 06-06	Bolt	187	532 12 50-04	Nut Weld
37	817 49 05-08	Screw Thdrol 5/16-18 x 1/2 TYT	188	819 06 12-16	Washer #10
38	532 16 98-34	Bracket Asm Pivot Mower Rear	189	810 07 10-00	Washer Lock #10
52	819 09 14-16	Washer 9/32 x 7/8 x 16 Ga.	190	871 08 10-10	Screw Pan Hd Phillip 10-24 x 5/8
53	532 15 00-67	Bracket Pick off LT/PI Husq	192	817 49 06-24	Screw Thdrol 3/8-16 x 1-1/4
57	874 78 04-12	Bolt, Fin Hex 1/4-20 UNC x .75	193	817 07 04-12	Screw Truss 1/4-20 x 3/4 Tap/R
58	532 15 01-27	Duct Air Engine PI/Lt	198	532 16 89-37	Nut Push
68	873 51 04-00	Nut Keps Hex 1/4-20 Unc	207	817 67 05-08	Screw Thdrol 5/16-18 x 1/2
71	873 68 04-00	Nut Crownlock 1/4-20 Unc	208	817 67 06-08	Screw Thdrol 3/8-16 x 1/2
102	532 12 49-96	Clip Line Fuel 13-13/32 Mtg. Hole	209	817 00 06-12	Screw Hexwsh Thdr 3/8-16 x 3/4
129	819 09 10-16	Washer 9/32 x 5/8 x 16 Ga.	212	532 15 61-95	Insert Lens Reflective
134	532 16 02-19	Rod Support Hood Husq P/L	--	532 00 54-79	Plug, Button
145	532 15 65-24	Rod Pivot Chassis/Hood			
162	532 17 02-56	Bracket Exten Chassis Lh CRD			

NOTE: All component dimensions given in U.S. inches.
 1 inch = 25.4 mm.

For Husqvarna Parts Call 606-678-9623 or 606-561-4983

REPAIR PARTS

TRACTOR- -MODEL NO. CT130 (HECT130D) PRODUCT NO. 954 17 00-17
DRIVE



REPAIR PARTS

**TRACTOR- -MODEL NO. CT130 (HECT130D) PRODUCT NO. 954 17 00-17
DRIVE**

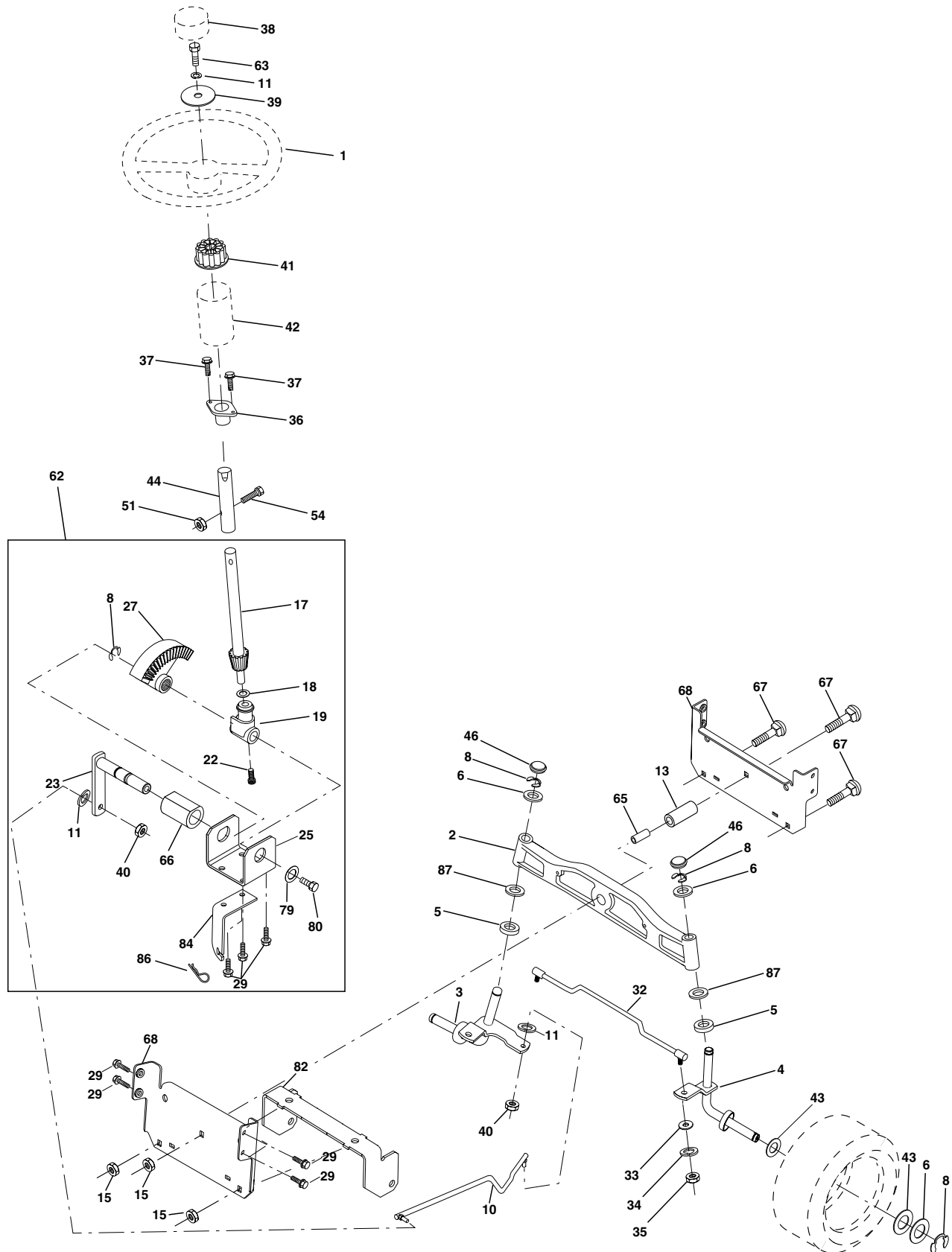
KEY NO.	PART NO.	DESCRIPTION	KEY NO.	PART NO.	DESCRIPTION
1	-----	Transaxle Peerless 206-546 (Order parts from transaxle manufacturer)	62	532 12 35-33	Cover, Pedal
2	532 14 66-82	Spring Brake Return	65	810 04 07-00	Washer
3	532 16 59-99	Pulley Transaxle	66	532 15 47-78	Keeper, Belt Engine F-Proof
4	812 00 00-28	Ring Retainer #5100-62	74	532 13 70-57	Spacer Axle
5	532 12 15-20	Strap torque 30 degrees	75	532 12 17-49	Washer 25/32 x 1-1/4 x 16 Ga.
8	532 16 56-19	Rod Shift Fender Adjust Lt	76	812 00 00-01	Ring, E
9	532 17 01-63	Clutch Asm Noram	77	532 12 35-83	Key, Square
10	876 02 04-16	Pin, Cotter 1/8 x 1	78	532 12 17-48	Washer 25/32 x 1-5/8 x 16 Ga.
11	532 10 57-01	Washer Plate Shf .3888 sq hole	79	532 12 50-96	Key Woodruff
13	874 55 04-12	Bolt 1/4-28 Unf Gr 8 w/patch	80	532 14 50-90	Arm Shift PMST 20" Tires
14	810 04 04-00	Washer, Lock Hvy Helical	82	532 12 37-82	Spring, Torsion
16	873 80 05-00	Nut, Lock Hex w/Ins 5/16-18 UNC	83	819 17 12-16	Washer 17/32 x 3/4 x 16 Ga.
18	874 78 06-16	Bolt Hex 3/8-16 UNC x 1 Gr.5	84	532 16 56-21	Link Shift CRD Pmst 18" Tires
19	873 80 06-00	Nut, Lock Hex w/Wsh 3/8-16 UNC	96	532 12 47-88	Spring, Retainer 1"
21	532 12 12-74	Knob Duckhead 1/2-13 Unc Blk	112	819 09 12-10	Washer 9/32 x 3/4 x 10 Ga.
22	532 16 58-11	Rod, Brake CRD 0650	144	819 11 10-16	Washer 11/32 x 5/8 x 16 Ga.
23	532 17 00-17	Bracket Clutch Noram	145	874 49 05-40	Bolt Hex FGHD 5/16-18 x Gr 5
24	873 35 06-00	Nut	150	532 16 58-50	Bushing, Bellcrank Grnd Dr
25	532 10 68-88	Spring, Rod, Brake	151	819 13 32-10	Washer 13/32 x 2 x 10 Ga.
26	819 13 13-16	Washer 13/32 x 13/16 x 16 Ga.	153	874 76 05-16	Bolt Hex Hd 5/16-18 Unc x 1
27	876 02 04-12	Pin, Cotter 1/8 x 3/4	156	532 16 60-02	Washer Srrd 5/16 ID x 1.125
28	532 14 52-04	Rod, Parking Brake	158	532 16 55-89	Bracket Shift Mount
29	532 07 16-73	Cap, Parking Brake	159	532 16 54-94	Hub Tapered Flange Shift Lt
30	532 17 49-73	Bracket, Mfg. Transaxle	160	819 29 20-16	Washer 29/32 x 1-1/4 x 16 Ga.
32	874 76 05-12	Bolt Hex 5/16-18 UNC x 3/4	161	872 14 04-06	Bolt Rdhd Sqnk 1/4-20 x 3/4 Gr 5
33	872 14 05-06	Bolt Rdhd Sqnk 5/16-18 Unc x 3/4	162	873 68 04-00	Nut Crownlock 1/4-20 Unc
34	532 16 54-96	Shaft, Asm Pedal Foot CRD	163	874 78 04-16	Bolt Hex Fin 1/4-20 Unc x 1 Gr 5
35	532 12 01-83	Bearing, Nylon	164	819 09 10-10	Washer 5/8 x .281 x 10 Ga.
36	819 21 16-16	Washer 21/32 x 1 x 16 Ga.	165	532 16 56-23	Bracket Pivot Lever
37	532 12 49-63	Pin, Roll 3/16 x 1"	166	532 16 68-80	Screw 5/16-18 x 5/8
38	532 16 59-36	Pulley, Flat	167	532 16 55-88	Bracket Support Shift CRD
39	874 76 06-44	Bolt Fin Hex 3/8-16 UNC x 2-3/4	168	532 16 54-92	Bolt Shoulder 5/16-18 x .561
40	532 12 49-65	Spacer, Split 395 x 59 Bzp	171	817 49 06-08	Screw Thdrol 3/8-16 x 1/2 Ty-Tt
42	819 13 13-12	Washer 13/32 x 13/16 x 12 Ga.	172	532 16 56-35	Shaft Asm Shift Front CRD PMST
47	532 12 77-83	Pulley, Idler, V Groove Plasic	177	532 16 59-32	Keeper Flat Idler 3.06" CRD
48	532 15 44-07	Bellcrank Clutch Grnd Drv	178	532 16 59-33	Keeper Belt Idler 1.88" CRD
49	532 12 32-05	Retainer, Belt Style Spring	179	532 12 09-58	Washer Sintered
50	874 76 06-24	Bolt Hex Hd 3/8-16 UNC x 1-1/2	180	532 16 56-30	Pulley Flat Composite 3.06"
51	873 68 06-00	Nut, Crownlock 3/8-16 UNC	181	532 16 57-97	Bracket Idler Ground Drive CRD
52	873 68 05-00	Nut Crownlock 5/16-18	182	532 16 56-34	Keeper Belt 2.5" Od V-Idler CRD
53	532 10 57-10	Link, Clutch 7.66	183	532 16 56-26	Pulley V-Idler 2.50" Od CRD
55	532 10 57-09	Spring, Return, Clutch	184	817 49 06-44	Screw Hexwsh Thdrol 3/8-16 x 2-3/4
56	874 76 06-20	Bolt, Hex 3/8-16 UNC x 1-1/4	187	817 49 06-20	Screw Thdrol 3/8-16 x 1-1/4
57	532 16 56-31	V-Belt Kev PMST CRD	202	872 11 06-12	Bolt Carr Sh 3/8-16 x 1/2 Ty-Tt
61	817 06 06-12	Screw 3/8-16 x 3/4	203	871 17 07-80	Bolt Hex 7/16-20 x 5

NOTE: All component dimensions given in U.S. inches
1 inch = 25.4 mm

For Husqvarna Parts Call 606-678-9623 or 606-561-4983

REPAIR PARTS

TRACTOR- -MODEL NO. CT130 (HECT130D) PRODUCT NO. 954 17 00-17
STEERING ASSEMBLY



REPAIR PARTS

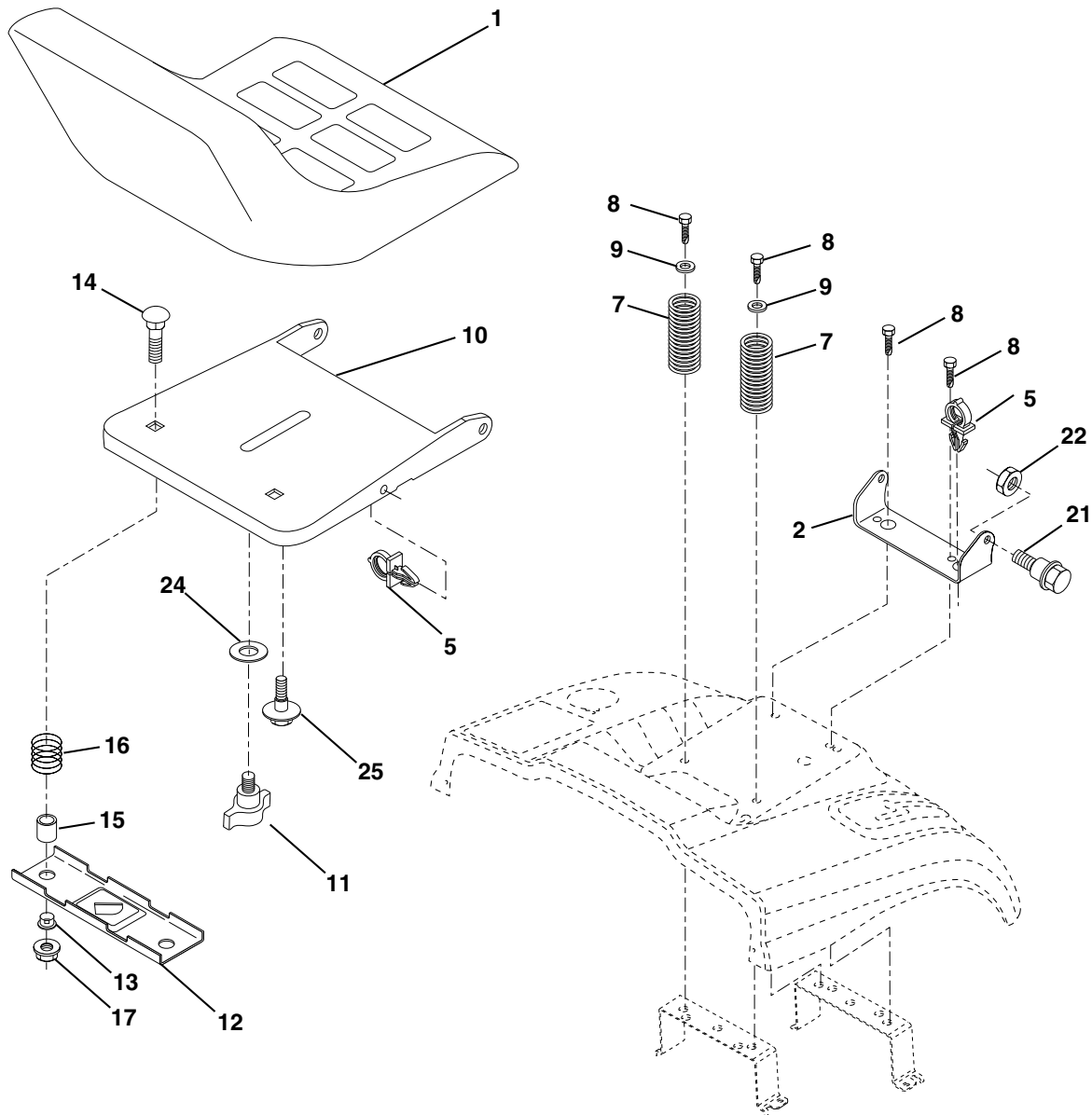
TRACTOR- -MODEL NO. CT130 (HECT130D) PRODUCT NO. 954 17 00-17
STEERING ASSEMBLY

KEY NO.	PART NO.	DESCRIPTION
1	532 16 66-27	Steering Wheel
2	532 17 23-93	Axle Asm Cast Iron Lt
3	532 16 98-40	Spindle Assembly, L.H.
4	532 16 98-39	Spindle Assembly, R.H.
5	532 12 49-31	Bearing, Race, Thrust, Hardened
6	532 12 17-48	Washer 25/32 x 1-5/8 x 16 Gauge
8	812 00 00-29	Ring, Klip
10	532 16 98-32	Link, Drag
11	810 04 06-00	Washer, Lock
13	532 13 65-18	Spacer Brg Axle Front
15	532 14 52-12	Nut Hex Flange Lock
17	532 15 65-46	Shaft Assembly, Steering
18	532 05 70-79	Washer, Thrust .515 x .750 x .033
19	532 16 03-95	Support, Shaft
22	532 16 58-57	Screw Hex Wshhd Torx
23	532 16 58-51	Pittman Shaft Assembly
25	532 15 44-06	Bracket, Steering
27	532 13 68-74	Gear, Sector
29	817 06 06-12	Screw 3/8-16 x 3/4
32	532 17 01-62	Rod, Tie
33	819 11 12-16	Washer 11/32 x 3/4 x 16 Ga.
34	810 04 05-00	Washer Lock Hvy Hlcl Spr 5/16
35	873 54 05-00	Crownlock Nut 5/16-24 Unf 3847
36	532 15 50-99	Bushing, Steering
37	532 15 29-27	Screw TT #10-32 x 5 x 3/8 Flange
38	532 16 66-26	Cap Wheel Steering
39	819 13 24-11	Washer 13/32 x 1-1/20 x 11 Gauge
40	532 12 47-01	Nut Lock Center 3/8-24 Unf
41	532 15 99-45	Adaptor, Steering Wheel
42	532 16 96-34	Boot, Steering Dash P/L Mtl
43	532 12 17-49	Washer 25/32 x 1-1/4 x 16 Gauge
44	532 15 37-20	Extension Steering Non-Adjust
46	532 12 12-32	Cap, Spindle
51	873 80 05-00	Nut Lock Hx W/Ins 5/16-18 UNC
54	874 78 05-20	Bolt Fin Hex 5/16-18 UNC x 1-1/4
62	532 16 79-14	Kit, Steering Assembly, Service
63	874 78 06-16	Bolt Fin Hex 3/8-16 unc. x 1 Gr. 5
65	532 16 03-67	Spacer Brace Axle
66	532 15 44-04	Bearing Arm Pittman
67	872 14 06-18	Bolt Rdhd Sq 3/8-16 x 2-1/4
68	532 16 98-27	Brace Axle
79	819 13 20-12	Washer 13/32 x 1-1/4 x 12 Ga
80	874 95 06-12	Bolt Hex Nylon 3/8-16 x 3/4
82	532 16 98-35	Bracket Susp Chassis Front
84	532 17 00-16	Bracket Cable Clutch Chassis
86	532 16 58-98	Retainer Spring
87	532 17 39-66	Washer Flat .781 x 1 1/2 x .14

NOTE: All component dimensions given in U.S. inches.
1 inch = 25.4 mm.

REPAIR PARTS

TRACTOR- -MODEL NO. CT130 (HECT130D) PRODUCT NO. 954 17 00-17
SEAT ASSEMBLY



KEY NO.	PART NO.	DESCRIPTION
1	532 14 08-39	Seat
2	532 14 05-51	Bracket Pnt Pivot Seat (blk)
5	532 14 50-06	Clip Push In Hinged
7	532 12 41-81	Spring Seat Cprsn 2 250 Blk Zi
8	817 00 06-16	Screw 3/8-16 X 1-1/2
9	819 13 16-14	Washer 13/32 X 1 X 14 Ga
10	532 17 48-94	Pan Pnt Seat (blk)
11	532 16 63-69	Knob Seat Adj. Wingnut
12	532 12 12-46	Bracket Pnt Mounting Switch
13	532 12 12-48	Bushing Snap Blk Nyl 50 Id

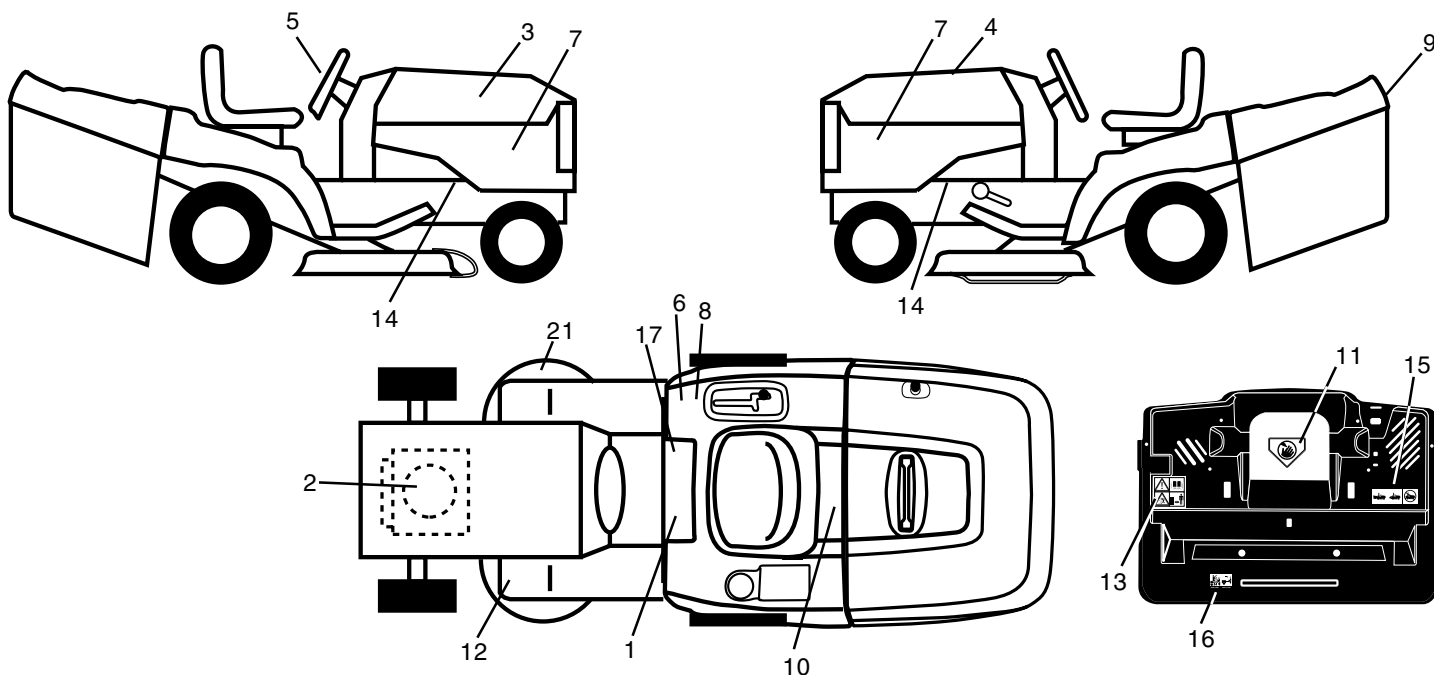
KEY NO.	PART NO.	DESCRIPTION
14	872 05 04-12	Bolt Rdhd Sht Nk 1/4-20x1-1/2
15	532 13 43-00	Spacer Split
16	532 12 12-50	Spring Cprsn Plate SW 1.310 Ga
17	532 12 39-76	Nut Lock 1/4 Lge Flg Gr 5 Zinc
21	532 17 18-52	Bolt Shoulder 5/16-18 Unc-2A
22	873 80 05-00	Nut Hex Lock w/Ins 5/16-18
24	819 17 19-12	Washer 17/32 X 1-3/16 X 12 Ga.
25	532 12 70-18	Bolt Shoulder 5/16-18 X 62

NOTE: All component dimensions given in U.S. inches.
1 inch = 25.4 mm

REPAIR PARTS

TRACTOR- -MODEL NO. CT130 (HECT130D) PRODUCT NO. 954 17 00-17

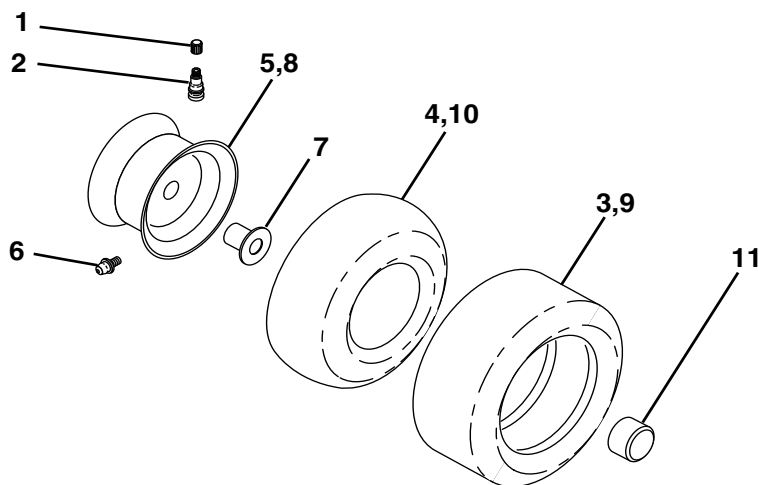
DECALS



KEY NO.	PART NO.	DESCRIPTION
1	532 14 54-98	Decal Read Owner's Manual Sym
2	532 17 08-48	Decal Hp Engine
3	532 16 70-90	Decal Hood Rh
5	532 17 05-64	Decal Wheel Logo
4	532 16 70-91	Decal Hood Lh
6	532 12 61-87	Decal 100 DBA
7	532 15 97-13	Decal Panel Side
8	532 14 54-37	Decal Europe Stand Ce
9	532 15 06-17	Decal Fender Logo
10	532 14 50-05	Decal Bat Dan/Poi P/L Sym Wpn
11	532 14 54-94	Decal Mower Cut Finger Symbol

KEY NO.	PART NO.	DESCRIPTION
12	532 15 97-37	Decal Brake/Clutch Symbol Lt
13	532 16 69-59	Decal Warn Back Plate CRD
14	532 15 97-36	Decal Chassis Hot Muffler
15	532 16 69-61	Decal Oper Bag Presence CRD
16	532 16 25-98	Decal Drawbar Load Limit
17	532 14 08-37	Decal Saddle Brake Parking
21	532 16 62-86	Decal Deck Sch 92 CRD
—	532 13 83-11	Decal Lift Handle
—	532 17 12-37	Pad Footrest
—	532 17 55-84	Manual Operator's (Euro)
—	532 17 55-85	Manual Operator's (Scand)

WHEELS & TIRES

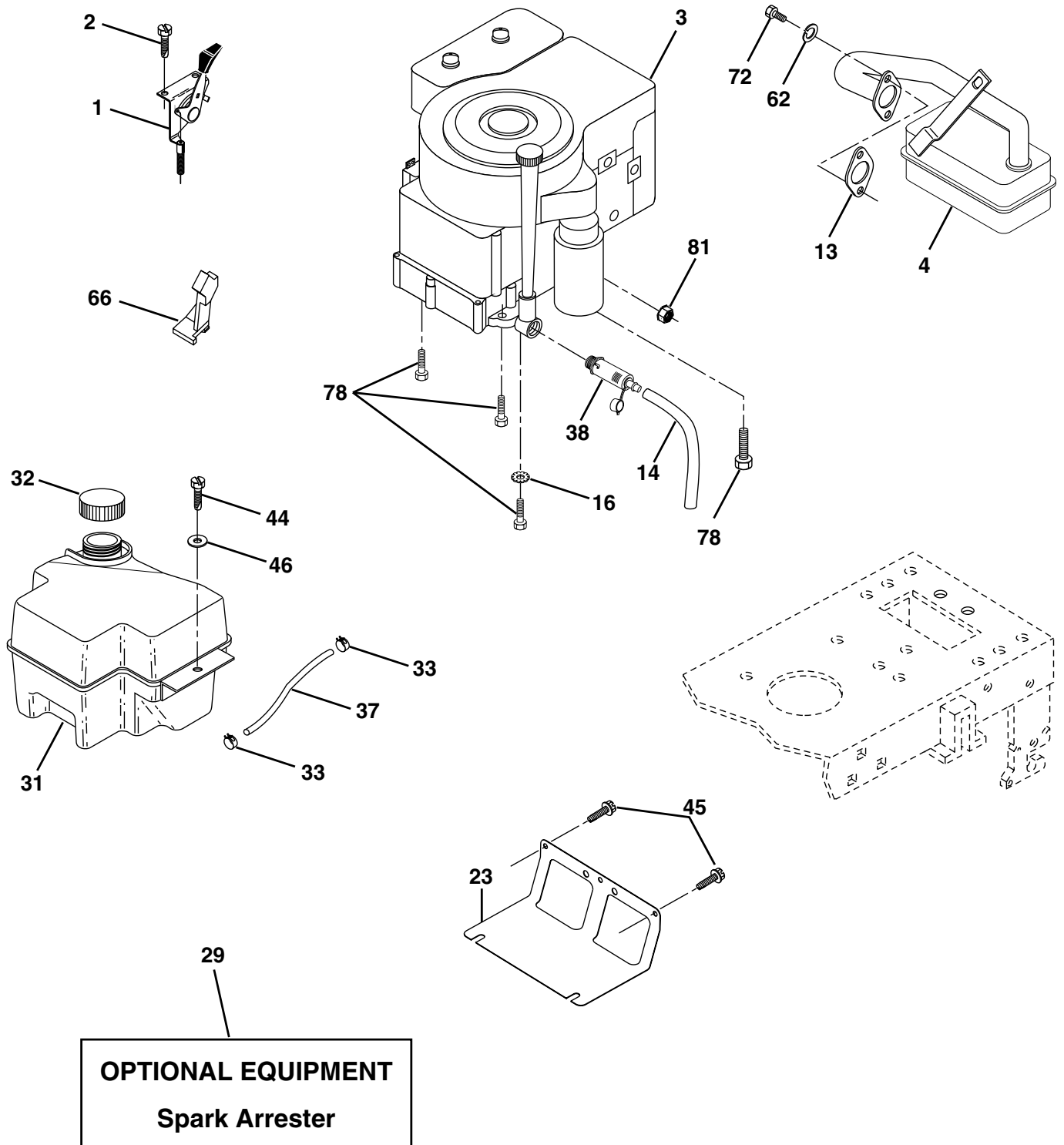


KEY NO.	PART NO.	DESCRIPTION
1	532 05 91-92	Cap Value Tire
2	532 06 51-39	Stem Value
3	532 10 62-22	Tire F Ts 15 X 6 0 - 6 Service
4	532 05 99-04	Tube Inner Front #35060
5	532 13 83-36	Rim Asm 6" front White Service
6	532 12 49-57	Fitting Grease
7	532 12 49-59	Bearing Flange
8	532 13 83-37	Rim Asm 8" rear White Service
9	532 12 46-35	Tire R Ts 18 x 8.5-8 Service
10	532 12 49-26	Tube Rear 9 5 X 8 Service
11	532 17 50-39	Cap Axle Blk 1 50 X 1 00
--	532 14 43-34	Sealant, Tire (10 oz. tube)

NOTE: All component dimensions given in U.S. inches.
1 inch = 25.4 mm

REPAIR PARTS

TRACTOR- -MODEL NO. CT130 (HECT130D) PRODUCT NO. 954 17 00-17
ENGINE



OPTIONAL EQUIPMENT
Spark Arrester

For Husqvarna Parts Call 606-678-9623 or 606-561-4983

REPAIR PARTS

TRACTOR- -MODEL NO. CT130 (HECT130D) PRODUCT NO. 954 17 00-17
ENGINE

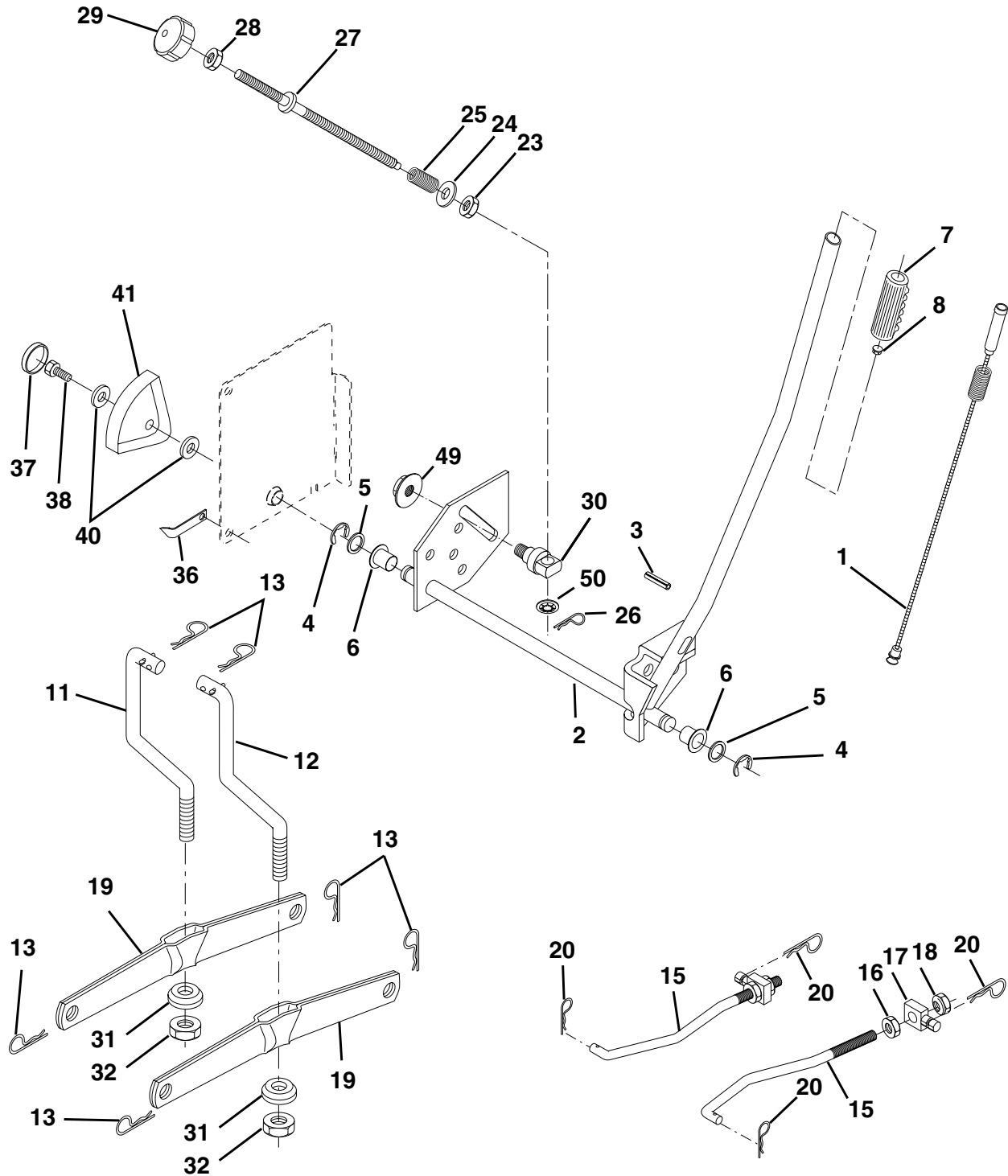
KEY NO.	PART NO.	DESCRIPTION
1	532 17 08-65	Control Throt /Ch Flag
2	817 72 04-10	Screw Hex Thd Cut 1/4-20x5/8 T
3	-----	Engine Briggs Model 28R707 (Order Parts from Engine Manufacturer)
4	532 13 73-48	Muffler Exhaust B&S Lt
13	532 16 52-91	Gasket 1 313 Id Tin Plated
14	532 14 84-56	Tube Drain Oil Easy
16	811 05 06-00	Washer Lock Ext Tooth 3/8
23	532 16 98-37	Shield Browning/Debris Guard
29	532 13 71-80	Arrestor Spark
31	532 17 46-42	Tank Fuel 2.00 Fr
32	532 14 05-27	Cap Asm Fule Top Vent N/Lany
33	532 12 34-87	Clamp Hose Blk
37	532 13 70-40	Line Fuel 20"
38	532 14 83-15	Plug Drain Oil Easy
44	817 67 04-12	Screw Hexwsh Thdrol 1/4-20 x 3/4
45	817 00 06-12	Screw Hexwsh Thdr 3/8-16 x 3/4
46	819 09 14-16	Washer 9/32 X 7/8 X 16ga
62	810 04 05-00	Washer Lock Hvy Hlcl Spr 5/16
66	532 12 79-51	Stop Throttle 3000 Rpm
72	871 07 05-12	Screw Hexhd Cap 5/16-18 x 3/4
78	817 06 06-20	Screw 3/8-16x1-1/4
81	873 51 04-00	Nut Keps 1/4-20 Unc

NOTE: All component dimensions given in U.S. inches.
1 inch = 25.4 mm

For Husqvarna Parts Call 606-678-9623 or 606-561-4983

REPAIR PARTS

TRACTOR- -MODEL NO. CT130 (HECT130D) PRODUCT NO. 954 17 00-17
MOWER LIFT



For Husqvarna Parts Call 606-678-9623 or 606-561-4983

REPAIR PARTS

TRACTOR- -MODEL NO. CT130 (HECT130D) PRODUCT NO. 954 17 00-17
MOWER LIFT

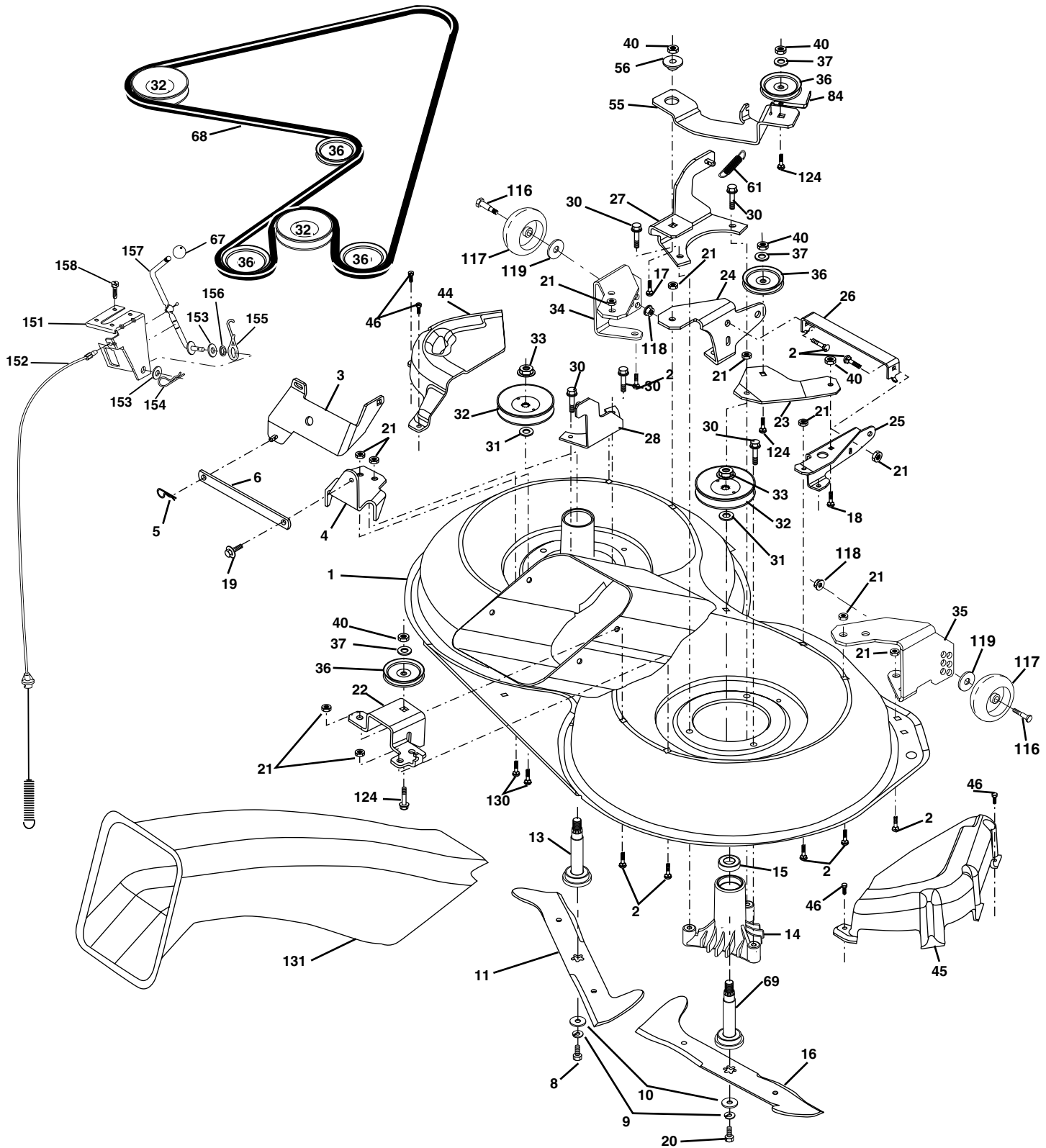
KEY NO.	PART NO.	DESCRIPTION
1	532 1594-60	Washer Asm Inner Spring W/Plunger
2	532 1594-71	Shaft Asm. Lift
3	532 1057-67	Pin Groove
4	812 0000-02	E Ring #5133-62
5	819 2116-21	Washer 21/32 x 1 x 21 Ga.
6	532 1201-83	Bearing Nylon
7	532 1256-31	Grip Handle
8	532 1245-26	Button Plunger Black
11	532 1658-29	Link Asm Lift L.H.
12	532 1658-31	Link Asm Lift R.H.
13	532 1246-70	Retainer Spring
15	532 1732-88	Link Front
16	873 3508-00	Nut Jam Hex 1/2-13 Unc
17	532 1301-71	Trunnion Blk Zinc
18	873 8008-00	Nut Lock W/Wsh 1/2-13 Unc
19	532 1398-68	Arm Suspension Mower
20	532 1635-52	Retainer Spring
23	532 1108-07	Nut Special
24	819 1310-16	Washer 13/32 x 5/8 x 16 Ga.
25	532 1248-74	Spring 2-1/8
26	532 1694-84	Retainer Clip
27	532 1269-71	Rod Adj Lift Zinc
28	873 3506-00	Nut Hex Jam 3/8-16 Unc
29	532 1380-57	Knob Inf 3/8-16 unc
30	532 1502-33	Trunnion Infin Height
31	532 1698-65	Bearing, Pvt. Lift.
32	873 5406-00	Nut Crownlock 3/8-24
36	532 1550-97	Pointer Height Indicator
37	532 1239-35	Plug Hole Blk
38	817 0605-16	Screw 5/16-18 x 1
40	819 1124-10	Washer 11/32 x 1-1/2 x 10 Ga
41	532 1239-34	Scale Ind Height Blk
49	532 1452-12	Nut Hex flange lock
50	532 1104-52	Nut Push Phos &Oil

NOTE: All component dimensions given in U.S. inches.
1 inch = 25.4 mm

For Husqvarna Parts Call 606-678-9623 or 606-561-4983

REPAIR PARTS

TRACTOR- -MODEL NO. CT130 (HECT130D) PRODUCT NO. 954 17 00-17
 MOWER



REPAIR PARTS

TRACTOR- -MODEL NO. CT130 (HECT130D) PRODUCT NO. 954 17 00-17
MOWER

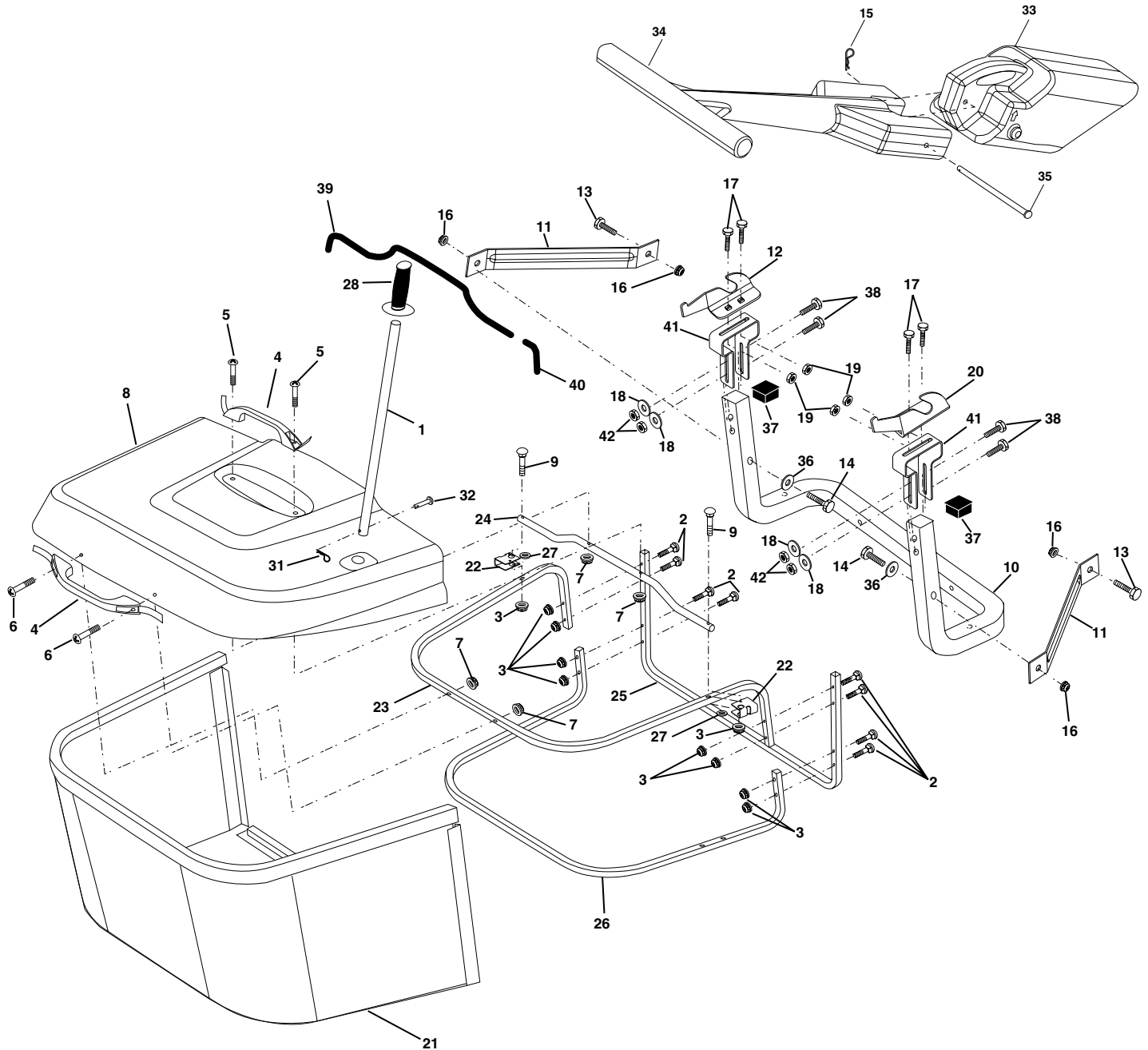
KEY NO.	PART NO.	DESCRIPTION	KEY NO.	PART NO.	DESCRIPTION
1	532 16 55-52	Housing Asm. Mower 92 CRD	37	819 13 13-16	Washer 11/32 x 13/16 x 16 Ga
2	872 14 05-06	Bolt Rdhd Sqnk 5/16-18 Unc x 3/4	40	873 68 06-00	Nut Crownlock 3/8-16 Unc
3	532 16 55-69	Bracket Asm. S-Bar Chass 92 CRD	44	532 16 57-24	Cover Mandrel Lh 92 CRD
4	532 16 55-58	Bracket Bar Sway Deck 92 CRD	45	532 16 55-56	Cover Mandrel Rh 92 CRD
5	532 12 46-70	Retainer Spring	46	532 13 77-29	Screw Thd Roll 1/4-20 x 5/8
6	532 16 55-57	Bar Sway 92 CRD	55	532 16 54-45	Arm Idler 92 CRD
8	532 85 08-57	Bolt 3/8-24 x 1.25 Gr8 Patched	56	532 16 57-23	Spacer Retainer Mower
9	810 03 06-00	Washer Lock Hvy 3/8 Unplated	61	532 16 59-45	Spring Tension Belt
10	532 14 02-96	Washer Hard Blade Mower vented	67	532 10 69-32	Knob Rd 3/8-16 Plstc Thds Blk
11	532 17 00-37	Blade 3-1 Lh 92 CRD	68	532 16 55-55	Hex-Belt 92 Mower 105AA
12	532 12 98-95	Bearing Ball #6204 (Mandrel)	69	532 16 54-82	Shaft Asm W/Lwr Brg Rh Thd CRD
13	532 13 76-45	Shaft Asm. W/Lower Bearing	84	532 15 60-85	Keeper Belt Idler
14	532 12 87-74	Housing Mandrel Vented (Machd)	116	532 13 76-44	Bolt Shoulder
15	532 11 04-85	Bearing Ball Mandrel	117	532 13 39-57	Wheel Gage Donut Wide
16	532 17 00-38	Blade 3-1 Rh 92 CRD	118	873 93 06-00	Nut Centerlock 3/8-16 Unc
17	872 14 06-10	Bolt Carriage 3/8-16 x 1-1/4	119	819 12 14-14	Washer 3/8 x 7/8 x 14 Ga.
18	872 11 06-08	Bolt Rdhd Sqnk 3/8-16 x 1 Gr5	124	872 11 06-12	Bolt Carr Sh 3/8-16 x 1-1/2 Gr5
19	532 13 28-27	Bolt Shoulder 5/16-18 Thd Form	128	532 15 33-90	Washer Felt
20	532 16 54-84	Bolt 3/8-24 x 1.25 Gr8 Ptch Lhthd	130	872 11 05-06	Bolt Rdhdsqnk 5/16-18 Unc x 3/4
21	873 68 05-00	Nut Crown Lock 5/16-18	131	532 16 56-61	Chute Bagger CRD 92cm
22	532 16 52-43	Bracket Idler Sprt RR 92 CRD	151	532 16 96-70	Bracket Clutch Cable
23	532 16 54-46	Bracket Idler Sprt RF 92 CRD	152	532 17 03-00	Cable Clutch CRD
24	532 16 52-42	Bracket Suspension LF 92 CRD	153	532 16 96-74	Washer Flat 3/8" Type B
25	532 16 52-44	Bracket Suspension RF 92 CRD	154	532 16 96-75	Spring Retainer
26	532 16 52-37	Brace Support Susp Frt CRD	155	532 16 96-71	Spring Retention
27	532 16 55-68	Bracket Asm. Susp RR 92 CRD	156	532 16 96-72	Spacer Clutch Cable
28	532 16 55-67	Bracket Asm. Susp LR 92 CRD	157	532 16 96-69	Rod Clutch Cable 3/8"
30	532 15 77-22	Screw Thd Rolling Washer Head	158	817 72 04-10	Screw Hex Thd Cut 1/4-20 x 5/8
31	532 12 99-63	Washer Spacer Mower Vented	-	532 13 07-94	Mandrel Asm Service
32	532 15 35-31	Mandrel Pulleys 36 & 46	-	532 16 55-79	Mandrel Asm CRD Lh Threads SVC
33	532 13 72-66	Nut Fig Top Lock Cntr B 9/16	-	532 17 35-49	Deck Mower Complete
34	532 16 52-39	Bracket Gauge Wheel Lf 92 CRD			
35	532 16 52-38	Bracket Gauge Wheel Rf 92 CRD			
36	532 14 67-63	Pulley Idler V-Groove Dim 4.25			

NOTE: All component dimensions given in U.S. inches
1 inch = 25.4 mm

For Husqvarna Parts Call 606-678-9623 or 606-561-4983

REPAIR PARTS

TRACTOR- -MODEL NO. CT130 (HECT130D) PRODUCT NO. 954 17 00-17
BAGGER



For Husqvarna Parts Call 606-678-9623 or 606-561-4983

REPAIR PARTS

TRACTOR- -MODEL NO. CT130 (HECT130D) PRODUCT NO. 954 17 00-17
BAGGER

KEY NO.	PART NO.	DESCRIPTION
1	532 17 06-90	Tube Handle Bagger CRD
2	872 14 04-16	Bolt Carriage 1/4-20 x 2.0 Gr.5
3	532 12 39-76	Nut Lock 1/4 Lge Flg Gr. 5 Zinc
4	532 16 99-16	Handle Bagger w/Lvrs Blk CRD
5	874 98 10-24	Screw Pan Head #10-24 x 1.50 Blk
6	874 98 10-32	Screw Pan Hd
7	873 40 10-00	Nut Wiz Lock Hex Serr/Hd 10-24
8	532 16 79-80	Cover Bagger Plastic CRD MS422
9	872 14 04-18	Bolt Carriage 1/4-20 x 2.25d x Gr.5
10	532 16 96-88	Tube Support Bagger CRD
11	532 16 57-19	Bracket Support Upper Bag CRD
12	532 16 96-85	Bracket Horiz Adj Bagger Lh CRD
13	872 11 06-06	Bolt Rdhd Sht Sqnk 3/8-16 x 3/4
14	874 52 06-40	Bolt Hex 3/8-16 x 2-1/2 Gr.5
15	532 12 46-70	Retainer Spring
16	873 90 06-00	Nut Lock Flg 3/8-16 Unc
17	872 14 05-06	Bolt Rdhd Sht Sqnk 5/16 -18 Unc x 3/4
18	819 11 12-16	Washer 11/32 x 3/4 x 16 Ga
19	873 90 05-00	Nut Lock Hexflange 5/16-18
20	532 16 96-84	Bracket Horiz Adj Bagger Rh CRD
21	532 16 57-80	Bag Asm CRD
22	532 16 57-81	Bracket Side Bagger CRD
23	532 16 57-82	Tube Upper Bagger CRD
24	532 16 57-83	Tube Pivot Bagger CRD
25	532 16 57-84	Tube Front Bagger CRD
26	532 16 57-85	Tube Lower Bagger CRD
27	532 16 96-92	Bushing Snap Bagger CRD
28	532 17 06-96	Grip Handle Black
31	532 12 47-88	Retainer Spring 1" Zinc/Cad
32	532 12 68-75	Rivet Rd Hd Drilled 3/8 Dia
33	532 16 55-71	Plug Mulcher 92 CRD
34	532 16 55-70	Handle Mulcher 92/107 CRD
35	532 16 55-72	Pin Mulcher 92/107 CRD
36	819 13 20-16	Washer 13/32 x 1-1/4 x 16 Ga.
37	532 17 54-01	Plug Support Bagger CRD
38	872 01 05-20	Bolt 5/16-18 x 2-1/2
39	532 16 99-99	Seal 26" (Long)
40	532 17 00-00	Seal 7" (Short)
41	532 16 96-83	Bracket Vert Adj Bagger CRD
42	873 80 05-00	Nut Lock Hex W/Ins 5/16-18 Unc PI

NOTE: All component dimensions given in U.S. inches
1 inch = 25.4 mm