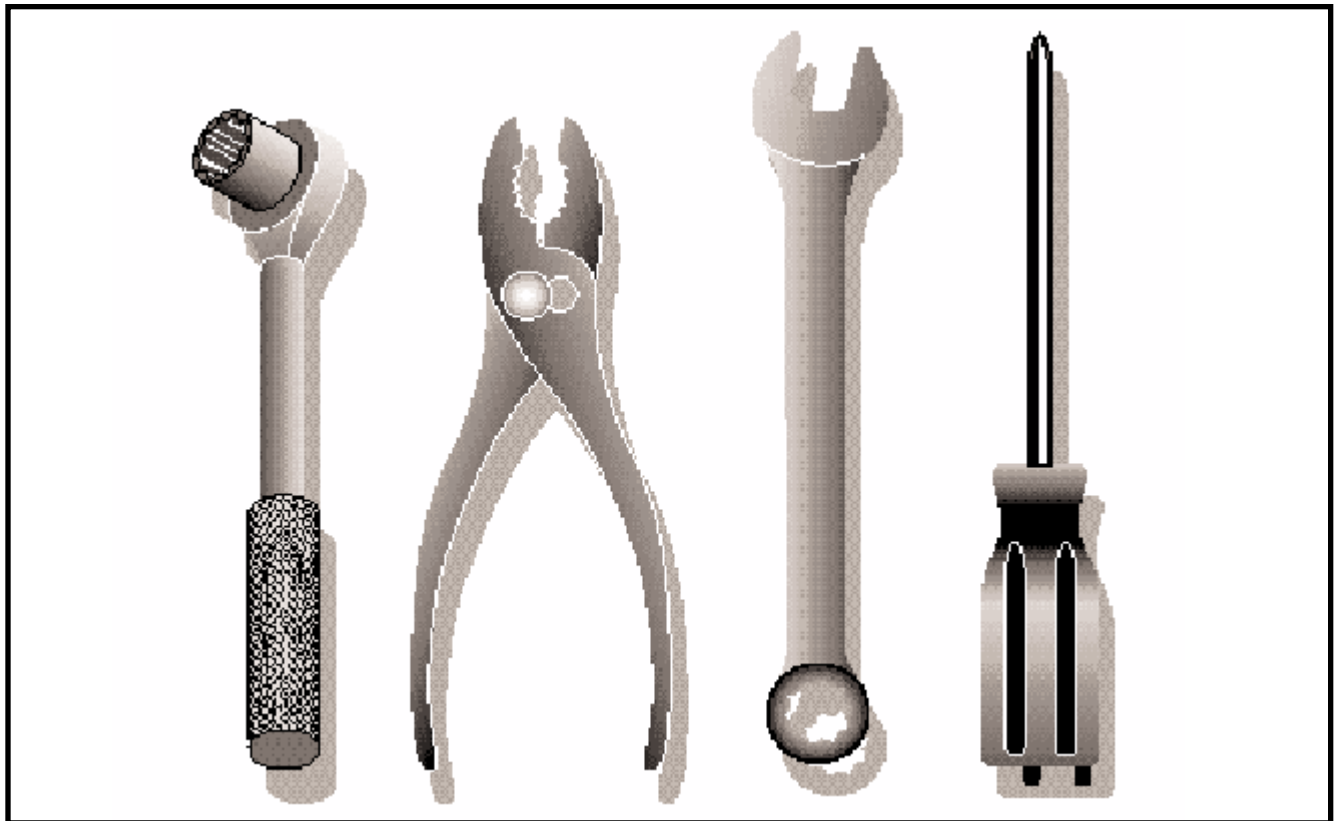




Illustrated Parts List	2001-11
	I0102046

YTH 1542 D

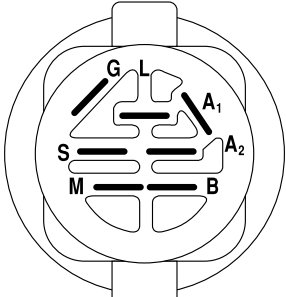
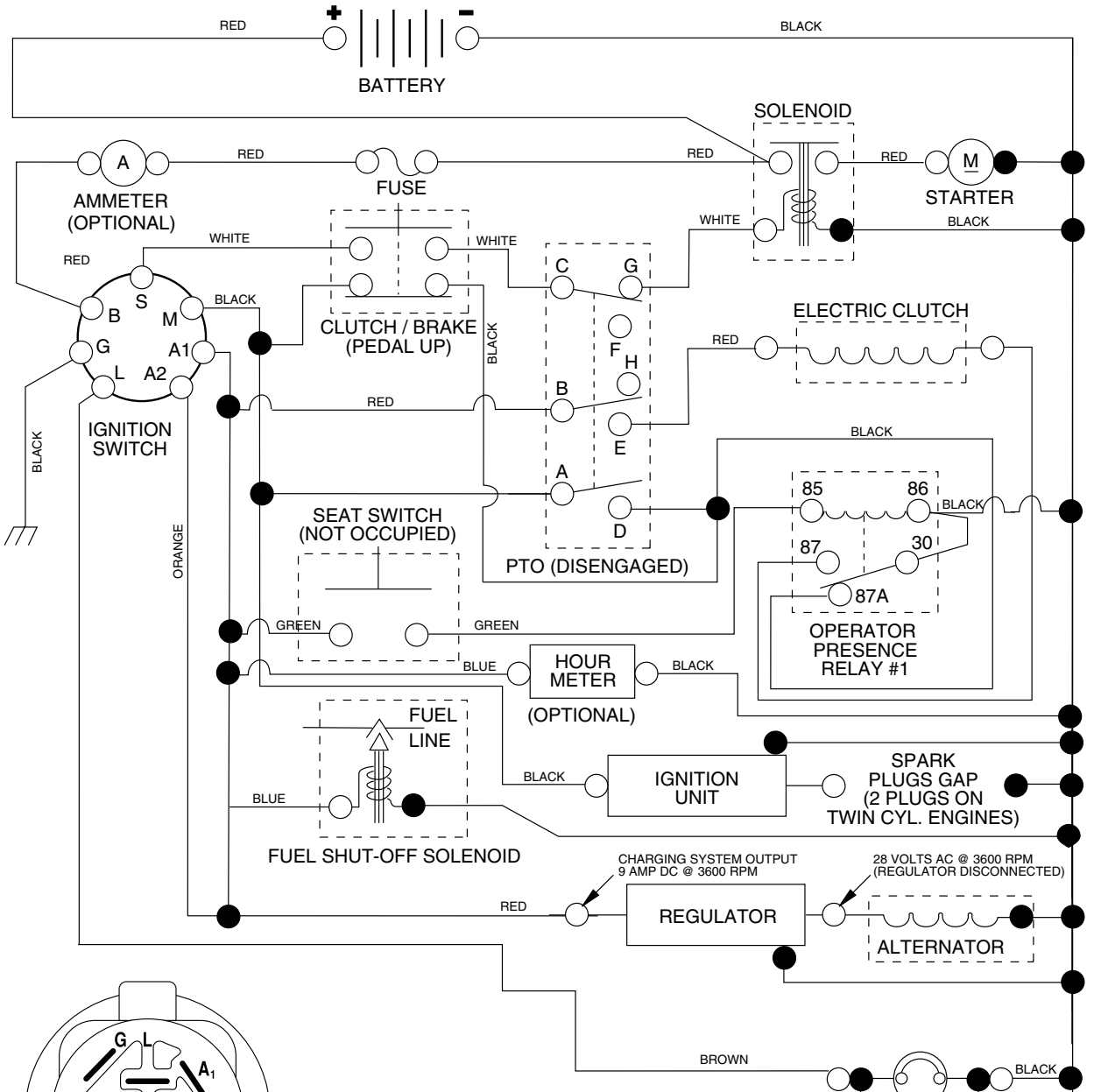
954567048



Repair Parts Manual

Ride Mower

For Husqvarna Parts Call 606-678-9623 or 606-561-4983
TRACTOR - MODEL NO. YTH1542 (YTH1542D), PRODUCT NO. 954 56 70-48
SCHEMATIC



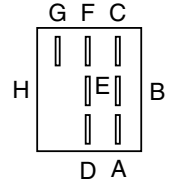
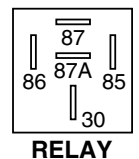
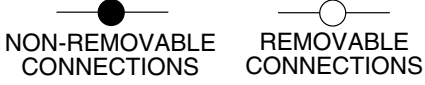
IGNITION SWITCH

POSITION	CIRCUIT	"MAKE"
OFF	M+G+A1	NONE
RUN/LIGHT	B+A1	A2+L
RUN	B+A1	NONE
START	B + S + A1	NONE

WIRING INSULATED CLIPS
NOTE: IF WIRING INSULATED CLIPS WERE REMOVED FOR SERVICING OF UNIT, THEY SHOULD BE REPLACED TO PROPERLY SECURE YOUR WIRING.

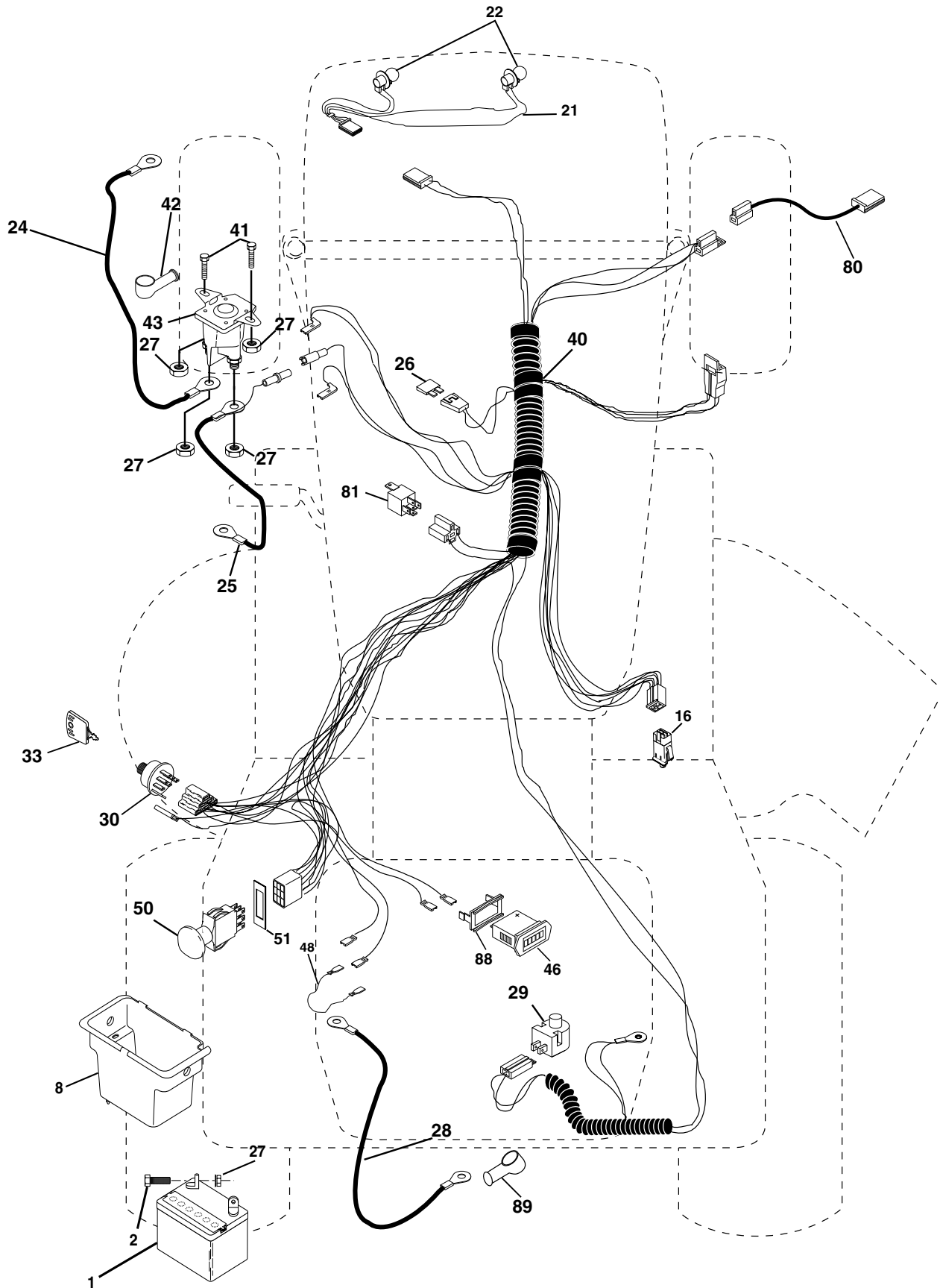
PTO SWITCH

POSITION	CIRCUIT
OFF	C + G, B + H
ON	C + F, B + E, A + D



REPAIR PARTS

TRACTOR - MODEL NO. YTH1542 (YTH1542D), PRODUCT NO. 954 56 70-48
ELECTRICAL



REPAIR PARTS

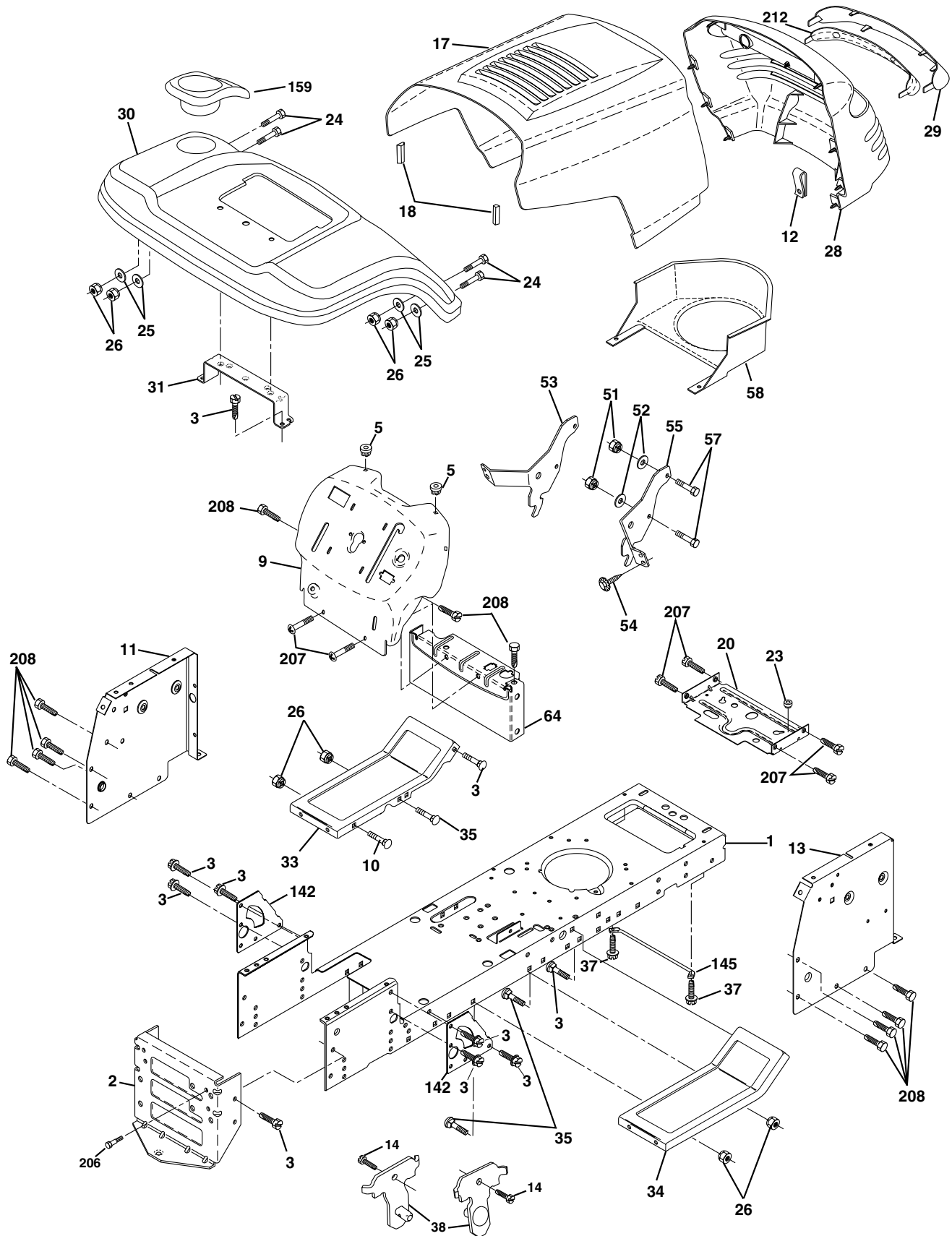
TRACTOR - MODEL NO. YTH1542 (YTH1542D), PRODUCT NO. 954 56 70-48
ELECTRICAL

KEY NO.	PART NO.	DESCRIPTION
1	532 16 34-65	Battery 12 Volt 28 AMP
2	874 76 04-12	Bolt Hex Hd 1/4-20unc X 3/4
8	532 17 66-89	Battery Box
16	532 17 61-38	Switch Interlock Push-In
21	532 17 56-85	Harness Asm Light W/4152j
22	532 00 41-52	Bulb Light #1156
24	532 12 47-80	Cable Battery 6 Ga 11" red
25	532 14 61-47	Cable Battery 6 Ga 44" red w/16 wire
26	532 17 51-58	Fuse
27	873 51 04-00	Nut Keps Hex 1/4-20 Unc
28	532 12 47-73	Cable Ground 6 Ga 12" black
29	532 16 07-84	Switch Plunger Nc Gray
30	532 17 55-66	Switch Ign
33	532 14 04-01	Key Ign Generic
40	532 17 97-24	Harness Ign.
41	871 11 04-08	Bolt Blk Fin Hex 1/4 - 20 x 1/2
42	532 13 15-63	Cover Terminal Red
43	532 17 88-61	Solenoid
46	532 16 96-35	Meter Hour
48	532 14 08-44	Adapter Ammeter
50	532 17 46-51	Switch PTO
51	532 14 04-05	Ring Retainer PTO
80	532 14 66-85	Harness Clutch Evx
81	532 10 97-48	Relay Asm.
88	532 16 96-39	Bracket Snap-In Hourmeter
89	532 18 04-49	Cover Terminal

NOTE: All component dimensions given in U.S. inches.
1 inch = 25.4 mm.

REPAIR PARTS

TRACTOR - MODEL NO. YTH1542 (YTH1542D), PRODUCT NO. 954 56 70-48
CHASSIS AND ENCLOSURES



REPAIR PARTS

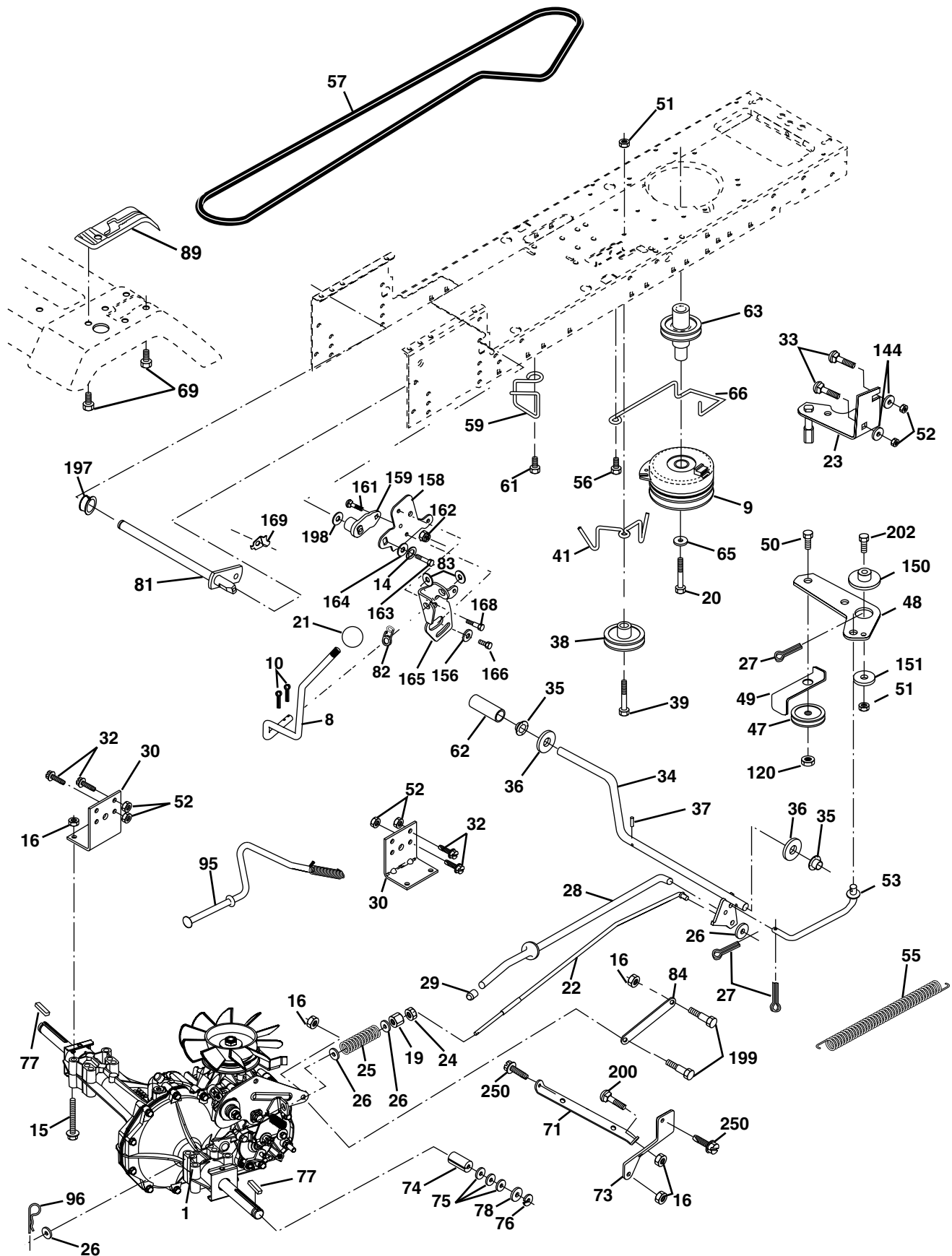
TRACTOR - MODEL NO. YTH1542 (YTH1542D), PRODUCT NO. 954 56 70-48
CHASSIS AND ENCLOSURES

KEY NO.	PART NO.	DESCRIPTION
1	532 17 46-19	Chassis stamping
2	532 17 65-54	Drawbar, 12 Ga.
3	817 06 06-12	Screw 3/8-16x3/4
5	532 15 52-72	Bumper Hood/Dash
9	532 17 19-24	Dash Slkscr
10	872 14 06-08	Bolt Carriage 3/8-16 x 1
11	532 17 49-96	Panel Dash Lh
12	532 14 56-60	Clip Tinnerman
13	532 18 17-19	Panel Dash Rh
14	817 49 06-08	Screw Thdrol 3/8-16 x 1/2
17	532 16 22-37	Hood LT/PL
18	532 12 69-38	Bumper Hood
20	532 18 06-79	Plate Mtg Battery Fuel Tank Fr
23	532 12 40-28	Bushing
24	874 78 06-16	Bolt Fin Hex 3/8-16 Unc x 1 Gr. 5
25	819 13 13-12	Washer 13/32 X 13/16 X 12 Ga
26	873 80 06-00	Nut Lock Hex w/Ins. 3/8-16 Unc
28	532 17 98-45	Grille/Lens Asm
29	532 17 66-45	Lens
30	532 17 70-87	Fender
31	532 13 66-19	Bracket Fender
33	532 18 10-57	Footrest Pnt Lh
34	532 18 10-58	Footrest Pnt Rh
35	872 11 06-06	Bolt Rdhd Sht Sqnk 3/8-16 x 3/4
37	817 49 05-08	Screw Thdrol 6/16-18 x 1/2 TYT
38	532 17 57-10	Bracket Asm Pivot Mower Rear
51	873 80 04-00	Nut Lock w/Insert 1/4-20 Unc
52	819 09 14-16	Washer 9/32 x 7/8 x 16 Ga.
53	532 14 46-97	Bracket Grille Lh
54	532 16 14-64	Screw Hex Wsh 8-18 x 7/8
55	532 14 46-96	Bracket Grille Rh
57	874 78 04-12	Bolt Hex 1/4-20 x 3/4
58	532 15 01-27	Air Duct Engine P/L
64	532 15 47-98	Dash Lower STLT
142	532 17 57-02	Plate Reinforcement STLT
145	532 15 65-24	Rod Pivot Chassis/Hood
159	532 17 70-88	Cupholder Stlt Grey
206	532 17 01-65	Bolt Shoulder 5/16-18 TT
207	817 67 05-08	Screw Thdrol 5/16-18 x 1/2
208	817 67 06-08	Screw Thdrol 3/8-16 x 1/2
212	532 15 62-29	Insert Lens Reflective

NOTE: All component dimensions given in U.S. inches
 1 inch = 25.4 mm

REPAIR PARTS

TRACTOR - MODEL NO. YTH1542 (YTH1542D), PRODUCT NO. 954 56 70-48
DRIVE



REPAIR PARTS

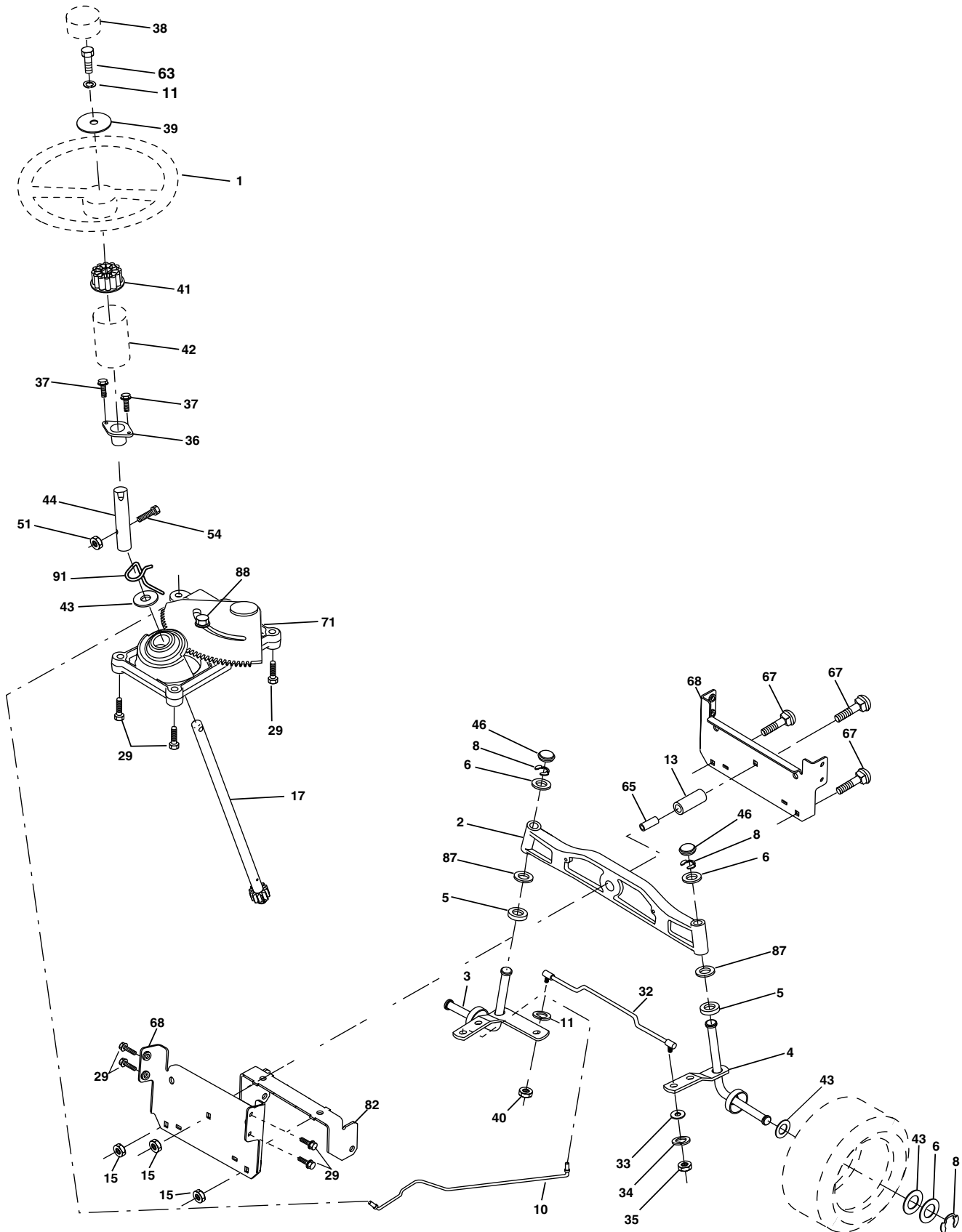
**TRACTOR - MODEL NO. YTH1542 (YTH1542D), PRODUCT NO. 954 56 70-48
DRIVE**

KEY PART NO. NO.	DESCRIPTION	KEY PART NO. NO.	DESCRIPTION
1	----- Transaxle Hydro Gr. 314-0510 (Order parts from transaxle mfg.)	63	532 17 54-14 Pulley, Engine
8	532 16 56-19 Rod Shift Fender Adjust LT	65	810 04 07-00 Washer Lock Hvy HLCL Spr 7/16
9	532 14 50-28 Clutch Electric	66	532 15 47-78 Keeper Belt Engine
10	876 02 04-16 Pin Cotter 1/8 x 1 CAD	69	532 14 24-32 Screw Hex Wsh Hi-Lo 1/4-1/2 Unc
14	810 04 04-00 Washer Lock Hvy Helical	71	532 16 91-83 Strap Torque Lh
15	874 49 05-44 Bolt Hex 5/16-18 Gr. 5	73	532 16 91-82 Strap Torque Rh
16	873 80 05-00 Nut Lock Hex W/Ins. 5/16-18 Unc P	74	532 13 70-57 Spacer, Axle
19	873 80 06-00 Nut Lock Hex W/Ins 3/8-16 Unc	75	532 12 17-49 Washer 25/32 x 1-1/4 x 16 Ga.
20	532 15 02-80 Bolt, Hex 7/16-20 x 4-1/4 Ga. 5	76	812 00 00-01 E-Ring
21	532 14 08-45 Knob Deluxe 1/2-13 UNC BLK/BLK	77	532 12 35-83 Key, Square
22	532 16 94-98 Rod, Brake Hydro	78	532 12 17-48 Washer 25/32 x 1-5/8 x 16 Ga
23	532 17 12-58 Bracket Asm. Anti-Rot EVX	81	532 16 55-96 Shaft Asm Cross Tapered
24	873 35 06-00 Nut Hex Jam 3/8-16 UNC	82	532 12 37-82 Spring Torsion
25	532 10 68-88 Spring, Brake Rod	83	819 17 12-16 Washer 17/32 x 3/4 x 16 Ga.
26	819 13 13-16 Washer	84	532 16 95-94 Link Transaxle
27	876 02 04-12 Pin Cotter 1/8 x 3/4 CAD.	89	532 17 69-40 Console, Hydro
28	532 17 57-65 Rod, Parking Brake	95	532 17 02-01 Control Asm. Bypass Hydro
29	532 07 16-73 Cap, Parking Brake	96	532 12 47-88 Retainer Spring 1" Zinc/Cad
30	532 16 95-92 Bracket, Transaxle	120	873 90 06-00 Nut Lock Flg. 3/8-16
32	874 76 05-12 Bolt Hex Hd 5/16-18 Unc x 3/4	144	819 11 10-16 Washer 11/32 x 5/8 x 16 Ga.
33	872 14 05-06 Bolt Carriage 5/16-18 UNC x 3/4	150	532 17 54-56 Bushing Bellcrank Grd Drive
34	532 17 55-78 Shaft, Foot Pedal	151	819 13 32-10 Washer 13/32 x 2 x 10 Ga.
35	532 12 01-83 Bearing, Nylon	156	532 16 60-02 Washer Srrted 5/16 ID X 1 X .125
36	819 21 16-16 Washer	158	532 16 55-89 Bracket Shift Mount
37	532 12 49-63 Pin, Roll	159	532 16 54-94 Hub Tapered Flange Shift LT
38	532 17 91-14 Pulley, Idler, Composite	161	872 14 04-06 Bolt Rdhd Sqnk 1/4-20 x 3/4 Gr. 5
39	874 76 06-48 Bolt	162	873 68 04-00 Nut Crownlock 1/4-20 Unc
41	532 17 55-56 Keeper, Belt Idler	163	874 78 04-16 Bolt Hex Fin 1/4-20 Unc x 1 Gr. 5
47	532 12 77-83 Pulley, Idler, V-Groove Plastic	164	819 09 10-10 Washer 5/8 x .281 x 10 Ga.
48	532 15 44-07 Bellcrank Clutch Grnd Drv Stl	165	532 16 56-23 Bracket Pivot Lever
49	532 12 32-05 Retainer, Belt Style Spring	166	532 16 68-80 Screw 5/16-18 x 5/8
50	874 76 06-24 Bolt Hex Hd 3/8-16 Unc x 1-1/2	168	532 16 54-92 Bolt Shoulder 5/16-18 x .561
51	873 68 06-00 Nut	169	532 16 55-80 Plate Fastening LT
52	873 68 05-00 Nut Crown Lock 5/16-18	197	532 16 96-13 Nyliner Snap-In 5/8" ID
53	532 10 57-10 Link, Clutch	198	532 16 95-93 Washer Nyl 7/8ID x .105 Hyd
55	532 10 57-09 Spring, Return, Clutch	199	532 16 96-12 Bolt Shoulder 5/16-18 Unc
56	817 06 06-20 Screw 3/8-16 x 1 1/4	200	872 14 05-08 Bolt Rdhd Sqnk 5/16-18 Unc x 1
57	532 14 02-94 V-Belt, Ground Drive	202	872 11 06-12 Bolt
59	532 16 96-91 Keeper, Center Span	250	817 06 06-12 Screw 3/8-16 x .75
61	817 12 06-14 Screw 3/8-16 x .875		
62	532 12 48-72 Cover, Pedal		

NOTE: All component dimensions given in U.S. inches
1 inch = 25.4 mm

REPAIR PARTS

TRACTOR - MODEL NO. YTH1542 (YTH1542D), PRODUCT NO. 954 56 70-48
STEERING ASSEMBLY



REPAIR PARTS

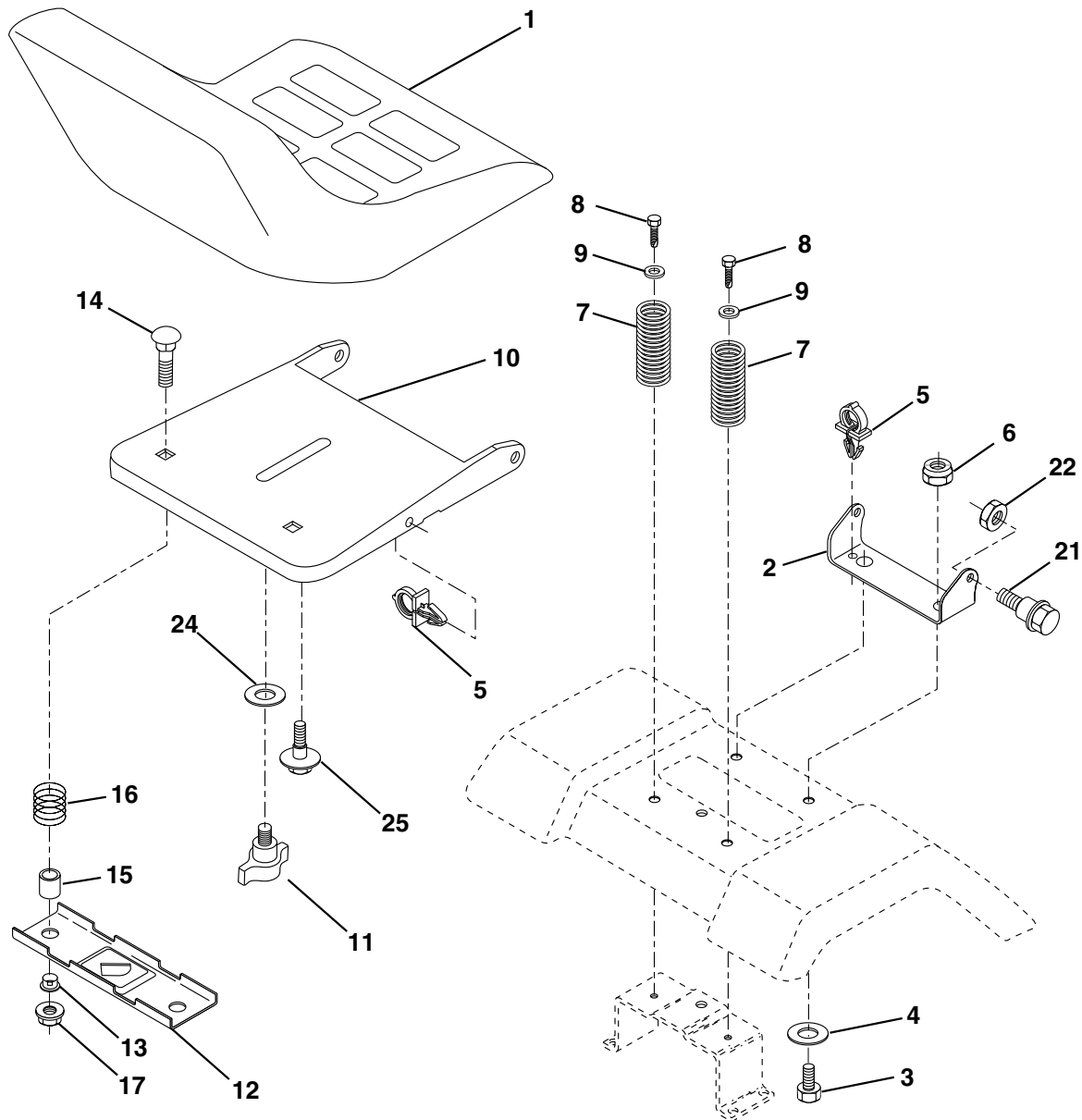
TRACTOR - MODEL NO. YTH1542 (YTH1542D), PRODUCT NO. 954 56 70-48
STEERING ASSEMBLY

KEY NO.	PART NO.	DESCRIPTION
1	532 12 44-15	Wheel Steering
2	532 17 23-93	Axle Cast LT Machined
3	532 16 98-40	Spindle Asm Cast LH
4	532 16 98-39	Spindle Asm Cast RH
5	532 12 49-31	Bearing Race Thrust Harden
6	532 12 17-48	Washer 25/32 X 1-5/8 X 16 Ga
8	812 00 00-29	Ring Klip #t5304-75
10	532 17 51-21	Link Drag
11	810 04 06-00	Washer Lock Hvy Hlcl Spr 3/8
13	532 13 65-18	Spacer Brg Axle Front
15	532 14 52-12	Nut Hex Flange Lock Yel D
17	532 18 06-41	Shaft Asm Steering
29	817 06 06-12	Screw 3/8-16x3/4
32	532 17 18-88	Rod Tie
33	819 11 12-16	Washer 11/32 x 3/4 x 16 Ga.
34	810 04 05-00	Washer Lock Hvy. Helical 5/16 SD
35	873 54 06-00	Nut Crown Lock 5/16-24
36	532 15 50-99	Bushing Strg
37	532 15 29-27	Screw TT #32.5 x 5 x 3/8 Flange
38	532 12 44-16	Cap Wheel Steer
39	819 13 38-12	Washer 13/32 x 2 3/8 x 12 Ga.
40	532 12 47-01	Nut Lock Center 3/8-24 Unf
41	532 10 07-11	Adaptor Wheel Strg
42	532 16 96-34	Boot Dash Steering
43	532 12 17-49	Washer 25/32 X 1 1/4 X 16 Ga
44	532 15 37-20	Extension Steering Non-adjust
46	532 12 12-32	Cap Spindle Fr Top Blk
51	873 80 05-00	Nut Lock Hex W/Ins 5/16-18 UNC
54	874 78 05-20	Bolt Fin Hex 5/16-18 UNC x 1-1/4
63	874 78 06-16	Bolt Fin Hex 3/8-16 UNC x 1 Gr. 5
65	532 16 03-67	Spacer, Brace Axle
67	872 14 06-18	Bolt Rdhd 3/8-16 x 2-1/4
68	532 16 98-27	Brace, Axle
71	532 17 51-46	Steering Asm.
82	532 16 98-35	Bracket Susp Chassis Front 15"
87	532 17 39-66	Washer Flat .781 x 1-1/2 x .14
88	532 17 51-18	Bolt Shoulder 7/16-20
91	532 17 55-53	Clip, Steering

NOTE: All component dimensions given in U.S. inches.
1 inch = 25.4 mm.

REPAIR PARTS

TRACTOR - MODEL NO. YTH1542 (YTH1542D), PRODUCT NO. 954 56 70-48
SEAT ASSEMBLY



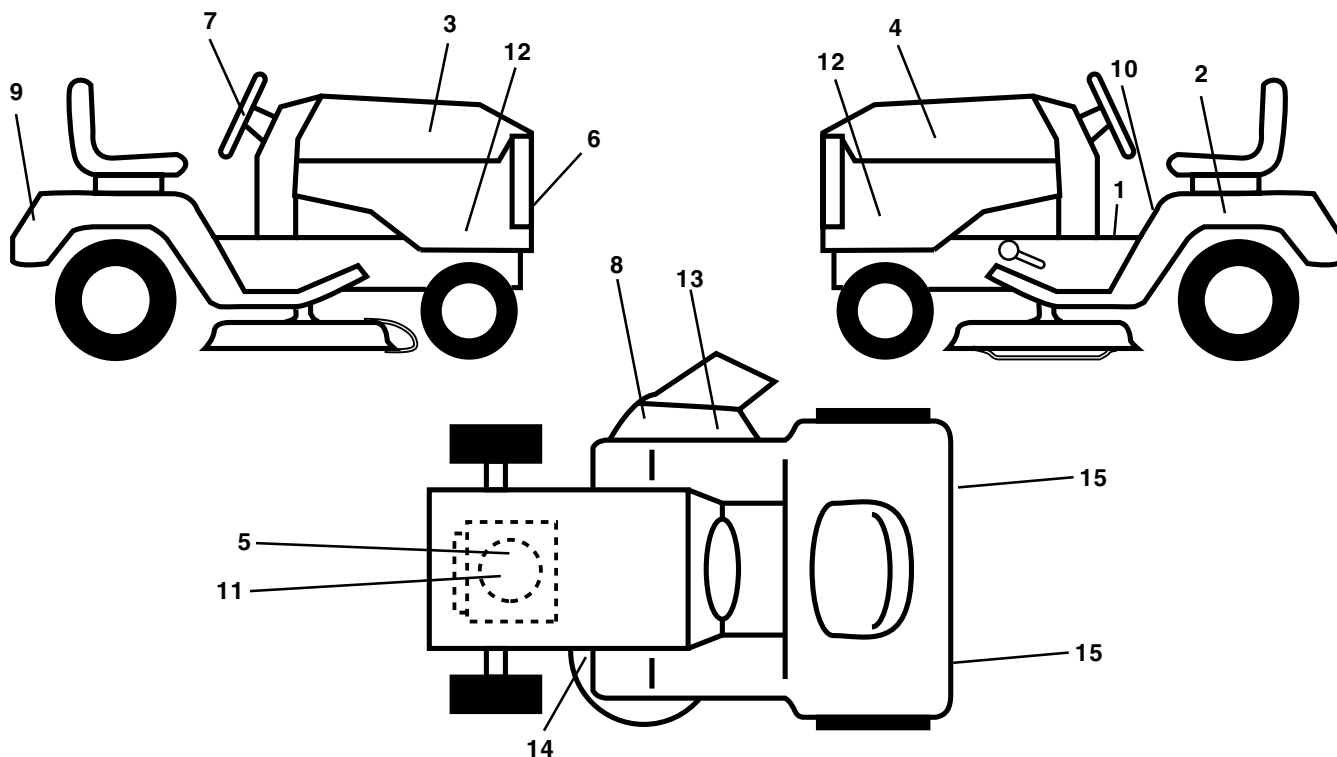
KEY PART NO.	NO.	DESCRIPTION
1	532 14 08-38	Seat
2	532 14 05-51	Bracket Pivot Seat 8 720
3	871 11 06-16	Bolt Fin Hex 3/8-16unc X 1
4	819 13 16-10	Washer 13/32 X 1 X 10 Ga
5	532 14 50-06	Clip Push-In
6	873 80 06-00	Nut Hex w/Ins. 3/8-16 Unc
7	532 12 41-81	Spring Seat Cprsn 2 250 Blk Zi
8	817 00 06-16	Screw 3/8-16 X 1
9	819 13 16-14	Washer 13/32 X 1 X 14 Ga.
10	532 17 48-94	Pan Seat
11	532 16 63-69	Knob Seat Adj Wingnut
12	532 12 12-46	Bracket Mounting Switch

KEY PART NO.	NO.	DESCRIPTION
13	532 12 12-48	Bushing Snap Blk Nyl 50 Id
14	872 05 04-12	Bolt Rdhd Sqnk 1/4-20x1-1/2
15	532 13 43-00	Spacer Split 28x 96 Yel Zinc
16	532 12 12-50	Spring Cprsn 1 27 Blk Pnt
17	532 12 39-76	Nut Lock 1/4 Lge Flg Gr 5 Zinc
21	532 17 18-52	Bolt Shoulder 5/16-18 Unc
22	873 80 05-00	Nut Hex Lock W/Ins 5/16-18
24	819 17 19-12	Washer 17/32 X 1-3/16 X 12 Ga.
25	532 12 70-18	Bolt Shoulder 5/16-18 X 62

NOTE: All component dimensions given in U.S. inches.
1 inch = 25.4 mm

REPAIR PARTS

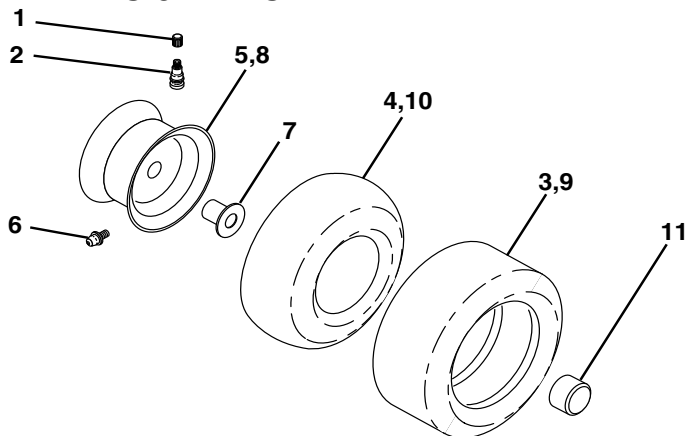
TRACTOR - MODEL NO. YTH1542 (YTH1542D), PRODUCT NO. 954 56 70-48
DECALS



KEY NO.	PART NO.	DESCRIPTION
1	532 15 70-32	Decal Oper. Step Thru E/F
2	532 14 50-05	Decal Battery
3	532 17 67-84	Decal Hood RH
4	532 17 67-85	Decal Hood LH
5	532 17 67-79	Decal HP Engine
6	532 15 06-16	Decal Grille
7	532 17 05-64	Decal Wheel Steering
8	532 17 05-63	Decal Warning
9	532 17 68-22	Decal Fender Husq
10	532 15 71-40	Decal Fender Danger E/F
11	532 17 67-75	Decal Engine

KEY NO.	PART NO.	DESCRIPTION
12	532 17 67-76	Decal Hood Logo
13	532 17 91-28	Decal Deck "B" 42"
14	532 16 03-96	Decal V-Belt Schematic
15	532 10 62-02	Reflector Tail Light
--	532 18 10-90	Pad Footrest RH
--	532 18 10-91	Pad Footrest LH
--	532 13 83-11	Decal Handle Lft Height Adjust
--	532 16 92-10	Decal By Pass Lt Hydro
--	532 18 03-25	Manual Owner's (English)
--	532 18 03-26	Manual Owner's (French)

WHEELS & TIRES

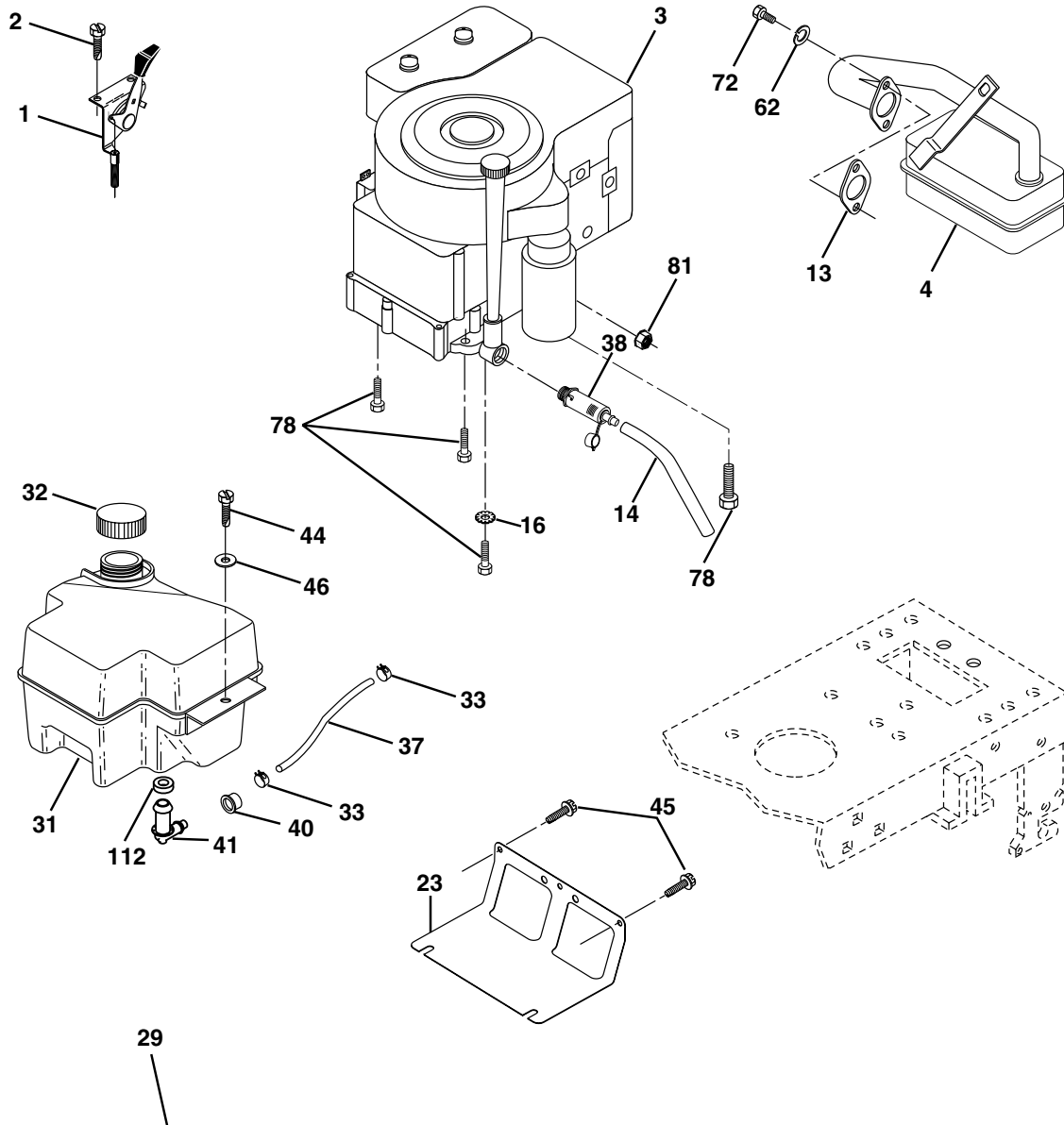


KEY NO.	PART NO.	DESCRIPTION
1	532 05 91-92	Cap Valve Tire
2	532 06 51-39	Stem Valve
3	532 10 62-22	Tire F Ts 15 X 6 0 - 6 Service
4	532 05 99-04	Tube Front (Service Item Only)
5	532 13 83-36	Rim Asm 6"front Silver Service
6	532 12 49-57	Fitting Grease (Front Wheel Only)
7	532 12 49-59	Bearing Flange (Front Wheel Only)
8	532 13 83-37	Rim Asm 8"rear Silver Service
9	532 12 20-82	Tire R Ts 20x10-8 C Service
10	532 12 49-26	Tube Rear (Service Item Only)
11	532 17 50-39	Cap Axle Blk 1 50 X 1 00
--	532 14 43-34	Sealant, Tire (10 oz. Tube)

NOTE: All component dimensions given in U.S. inches
1 inch = 25.4 mm

REPAIR PARTS

TRACTOR - MODEL NO. YTH1542 (YTH1542D), PRODUCT NO. 954 56 70-48
ENGINE



OPTIONAL EQUIPMENT
Spark Arrester

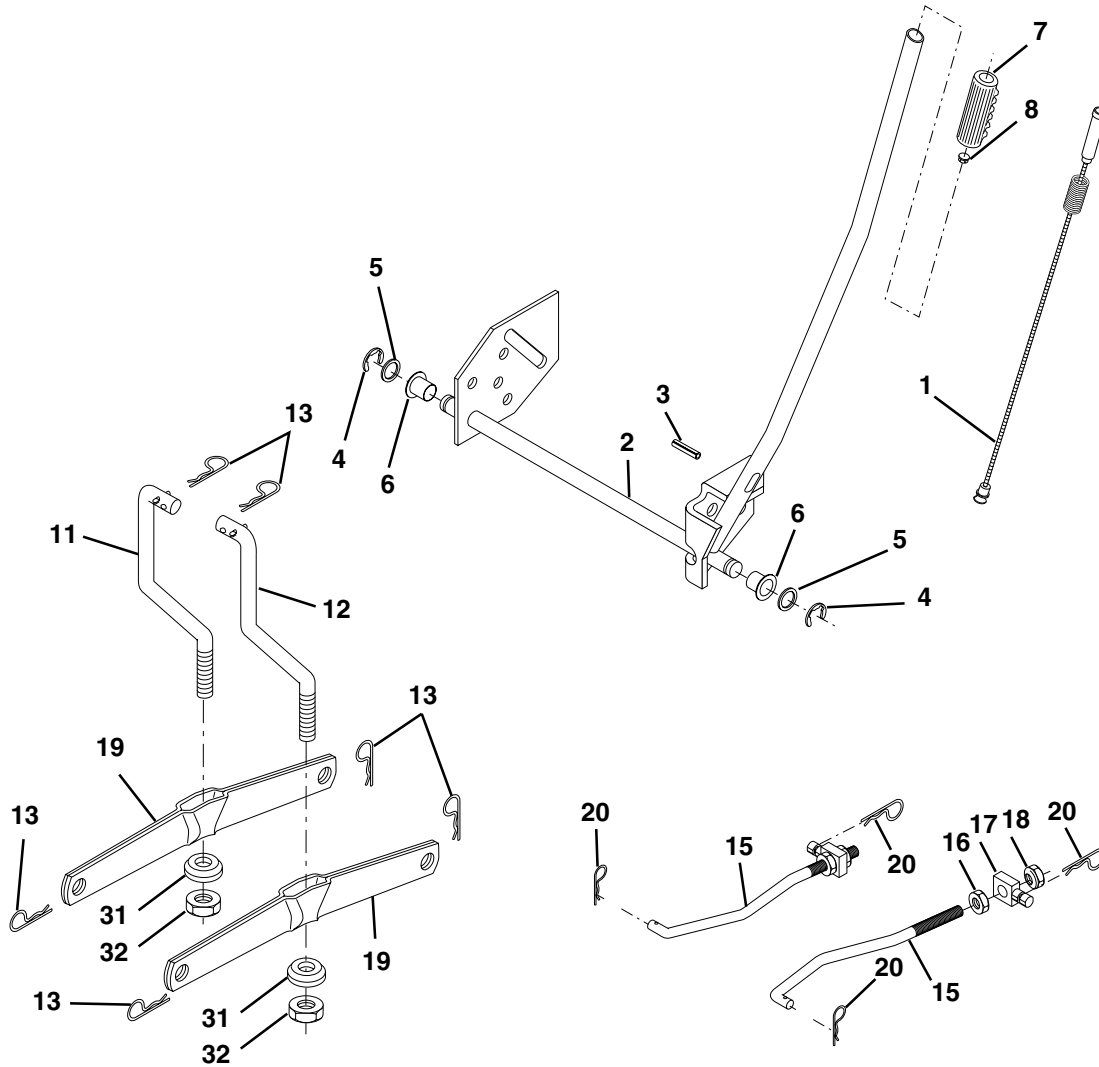
KEY NO.	PART NO.	DESCRIPTION
1	532 17 05-51	Control Th/ch Flag Dom.
2	817 72 04-08	Screw Hex Thd Ext Cut 1/4-20x1/2
3	---	Engine B&S Model 311777 (Order parts from engine - manufacturer)
4	532 13 73-52	Muffler
13	532 16 52-91	Gasket
14	532 14 84-56	Tube Drain Oil Easy
16	811 05 06-00	Washer Lock Ext Tooth 3/8
23	532 16 98-37	Shield BRN/DBR Guard
29	532 13 71-80	Kit Spark Arrester (Flat Scrm)
31	532 18 06-45	Tank Fuel
32	532 14 05-27	Cap Asm Fuel W/sym Vented
33	532 12 34-87	Clamp Hose Black

KEY NO.	PART NO.	DESCRIPTION
37	532 13 70-40	Line Fuel
38	532 14 83-15	Plug Drain Oil Easy
40	532 12 40-28	Bushing Snap Nyl Black Fuel Line
41	532 13 92-77	Stem Tank Fuel
44	817 67 04-12	Screw Hex Wsh Thdrol 1/4-20 x 3/4
45	817 00 06-12	Screw Hex Wsh Thdrol 3/8-16 x 3/4
46	819 09 14-16	Washer 9/32 x 7/8 x 16 Ga.
62	810 04 05-00	Washer Lock Hvy Hlcl Spr. 5/16
72	871 07 05-12	Screw Hex Hd Cap 5/16-18 x 3/4
78	817 06 06-20	Screw 3/8-16 x 1-1/4
81	873 51 04-00	Nut Keps Hex 1/4-20 Unc
112	532 12 49-52	Bushing

NOTE: All component dimensions given in U.S. inches
1 inch = 25.4 mm

REPAIR PARTS

TRACTOR - MODEL NO. YTH1542 (YTH1542D), PRODUCT NO. 954 56 70-48
MOWER LIFT



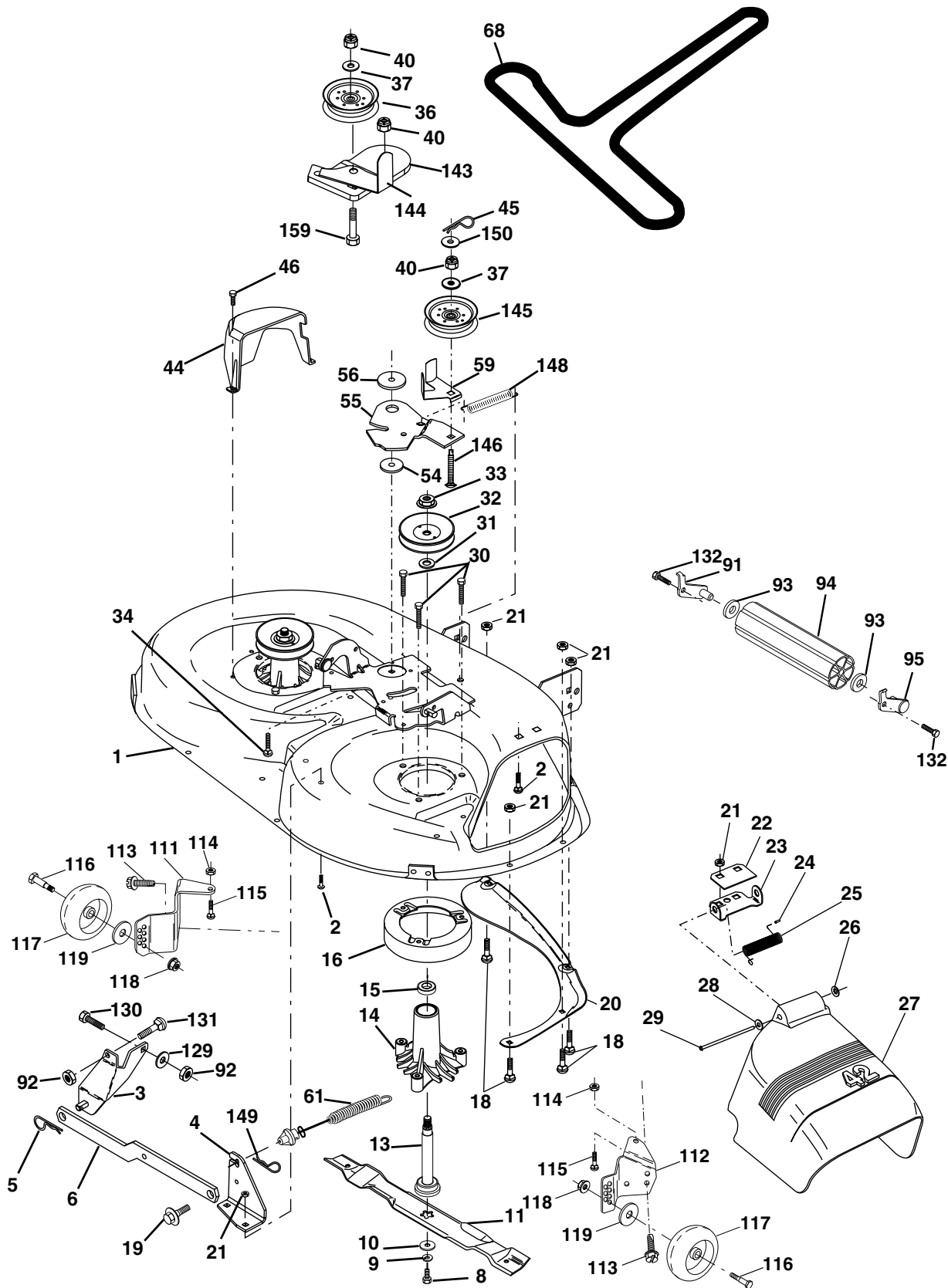
KEY NO.	PART NO.	DESCRIPTION
1	532 15 94-60	Wire Asm Inner W/plunger
2	532 15 94-71	Shaft Asm Lift RH w/Inf
3	532 10 57-67	Pin Groove 1 500 Zinc
4	812 00 00-02	E Ring #5133-62
5	819 21 16-21	Washer 21/32 X 1 X 21 Ga
6	532 12 01-83	Bearing Nylon Blk 629 Id
7	532 12 56-31	Grip Handle Fluted Blk
8	532 12 45-26	Button Plunger Black
11	532 13 98-65	Link Lift LH Fixed Length
12	532 13 98-66	Link Lift RH Fixed Length
13	532 12 46-70	Retainer Spring

KEY NO.	PART NO.	DESCRIPTION
15	532 17 32-88	Link Front
16	873 35 08-00	Nut Jam Hex 1/2-13 Unc
17	532 17 56-89	Trunnion Blk Zinc
18	873 80 08-00	Nut Lock w/Wsh 1/2-13unc
19	532 13 98-68	Arm Suspension Rear
20	532 16 35-52	Retainer Spring
31	532 16 98-65	Bearing Pvt Lift
32	873 54 06-00	Nut Crownlock 3/8 - 24

NOTE: All component dimensions given in U.S. inches
1 inch = 25.4 mm

REPAIR PARTS

**TRACTOR - MODEL NO. YTH1542 (YTH1542D), PRODUCT NO. 954 56 70-48
MOWER DECK**



REPAIR PARTS

TRACTOR - MODEL NO. YTH1542 (YTH1542D), PRODUCT NO. 954 56 70-48
MOWER DECK

KEY NO.	PART NO.	DESCRIPTION	KEY NO.	PART NO.	DESCRIPTION
1	532 16 58-92	Mower Deck Assembly, 42"	55	532 15 50-46	Arm, Idler
2	872 14 05-06	Bolt	56	532 12 20-52	Spacer, Retainer
3	532 13 80-17	Bracket Assembly, Sway Bar, Front	59	532 17 34-42	Guard, TUV Idler
4	532 16 54-60	Bracket Sway Bar 38/42" Deck	61	532 17 48-82	Spring Ext Elect Clutch 42" Dck
5	532 12 46-70	Retainer Spring	68	532 17 48-83	V-Belt
6	532 17 80-24	Bar Sway Deck	91	532 17 57-46	Bracket Asm Noseroller Lh
8	532 85 08-57	Bolt, Hex 3/8-24 x 1.25 Gr. 8	92	873 80 06-00	Nut Lock Hex w/Ins. 3/8-16 Unc
9	810 03 06-00	Washer, Lock	93	819 17 14-16	Washer 17/32 x 7/8 x 16 Ga.
10	532 14 02-96	Washer, Hardened	94	532 13 22-64	Roller Nose 38"-50"
11	532 13 84-98	Blade Mower 42" High Perf.	95	532 17 57-47	Bracket Asm Noseroller Rh
13	532 13 76-45	Shaft Assembly, Mandrel, Vented	111	532 17 92-92	Bracket, Gauge, Wheel L.H.
14	532 12 87-74	Housing, Mandrel, Vented	112	532 17 92-93	Bracket, Gauge, Wheel R.H.
15	532 11 04-85	Bearing, Ball, Mandrel	113	817 06 05-10	Screw 3/8-16 x .625
16	532 17 44-93	Stripper	114	873 51 05-00	Nut, Hex, Keps 5/16-18 UNC
18	872 14 05-05	Bolt, Carriage 5/16-18 x 5/8	115	872 11 05-05	Bolt, Carriage 5/16 -18 x 5/8
19	532 13 28-27	Bolt, Shoulder	116	532 13 76-44	Bolt, Shoulder
20	532 15 97-70	Baffle, Vortex	117	532 16 57-46	Wheel, Gauge
21	873 68 05-00	Nut Crownlock 5/16-18 UNC	118	873 93 06-00	Nut, Centerlock 3/8-16
22	532 13 47-53	Stiffener Bracket	119	819 12 14-14	Washer 3/8 x 7/8 x 14 Gauge
23	532 13 12-67	Bracket, Deflector	129	819 13 13-12	Washer 13/32 x 13/16 x 12 Ga.
24	532 10 53-04	Cap, Sleeve	130	874 78 06-16	Bolt Fin Hex 3/8-16 UNC x 1 Gr. 5
25	532 12 37-13	Spring, Torsion, Deflector	131	872 14 06-08	Bolt RDHD 3/8-16 UNC x 1
26	532 11 04-52	Nut, Push	132	817 06 06-12	Screw 3/8-16 x .75
27	532 17 18-59	Shield, Deflector	143	532 15 71-09	Bracket Arm Idler 42"
28	819 11 10-16	Washer 11/32 x 5/8 x 16 Ga.	144	532 17 34-41	Keeper Belt 42" Clutch Cable
29	532 13 14-91	Rod, Hinge	145	532 17 34-37	Pulley Idler Flat
30	532 17 39-84	Screw Thdrol Roll Hex	146	532 17 19-77	Bolt Carriage Idler
31	532 12 99-63	Washer, Spacer	148	532 16 90-22	Spring Return Idler
32	532 17 34-36	Pulley, Mandrel	149	532 16 58-98	Retainer Spring Yellow Zinc
33	532 17 83-42	Nut, Toplock, Flanged	150	819 09 12-16	Washer 9/32 x 3/4 x 16 Ga.
34	872 11 06-14	Bolt	159	872 14 06-14	Bolt Rdhd Sqn 3/8-16 UNC x 1- 3/4
36	532 17 34-38	Pulley, Idler, Flat	--	532 13 07-94	Mandrel Assembly (Includes Housing, Shaft and Shaft Hardware Only-Pulley Not Included)
37	819 13 13-16	Washer 13/32 x 13/16 x 16 Gauge	--	532 18 09-87	Replacement Mower, Complete
40	873 68 06-00	Nut Crownlock 3/8-16 UNC			
44	532 14 00-88	Guard, Mandrel, L.H.			
45	532 12 47-88	Retainer			
46	532 13 77-29	Screw, Thd. Roll 1/4-20 x 5/8			
54	532 13 39-43	Washer, Hardened			

NOTE: All component dimensions given in U.S. inches
 1 inch = 25.4 mm