



Illustrated Parts List	2001-11
	I0102044

6522 CH C

954222725



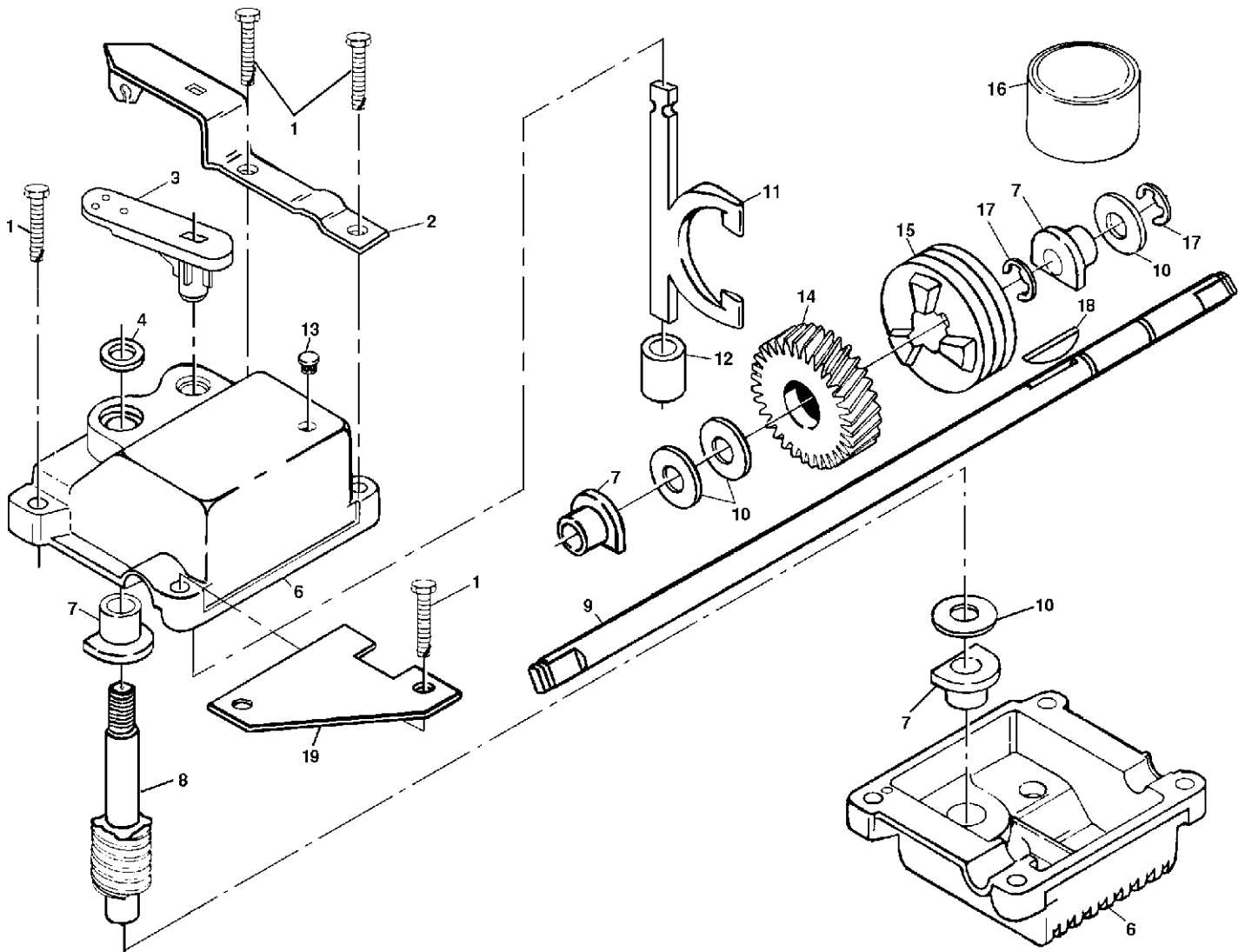
Repair Parts Manual

Walk Mower

REPAIR PARTS

ROTARY LAWN MOWER - - MODEL NUMBER 6522CH (6522CHC)

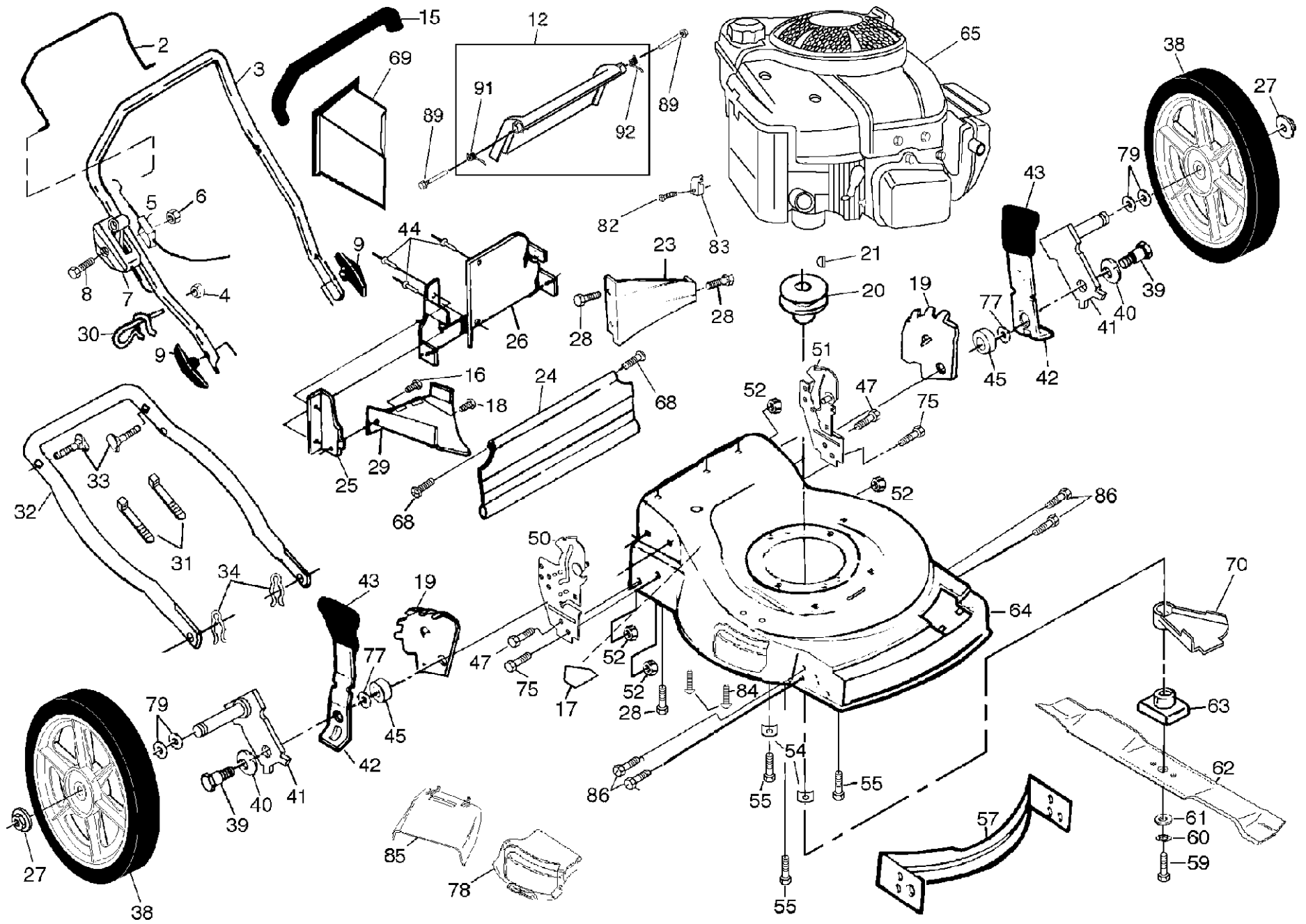
GEAR CASE ASSEMBLY - PART NUMBER 532 70 25-11



KEY NO.	PART NO.	DESCRIPTION
1	817 4904-16	Tapping Screw 1/4-20 x 1-1/4
2	532 14 02-69	Engagement Bracket
3	532 13 70-53	Shifter
4	532 05 70-72	Seal
6	532 04 83-73	Gear Case Halves Kit (Includes Key Numbers 4 and 7)
7	532 07 78-81	Bearing
8	532 13 70-51	Worm Shaft
9	532 13 70-74	Drive Shaft
10	532 05 70-79	Hardened Washer
11	532 13 14-84	Clutch Yoke
12	532 70 03-43	Bushing
13	532 08 64-47	Plug
14	532 13 70-50	Helical Gear
15	532 75 04-36	Clutch Jaw
16	532 75 03-69	Grease
17	812 00 00-03	E-Ring
18	532 85 08-48	Hi-Pro Key
19	532 12 54-41	Spring Bracket

NOTE: All component dimensions given in U.S. inches.
1 inch = 25.4 mm

ROTARY LAWN MOWER - - MODEL NUMBER 6522CH (6522CHC)



www.mymowerparts.com

18

For Husqvarna Parts Call 606-678-9623 or 606-561-4983

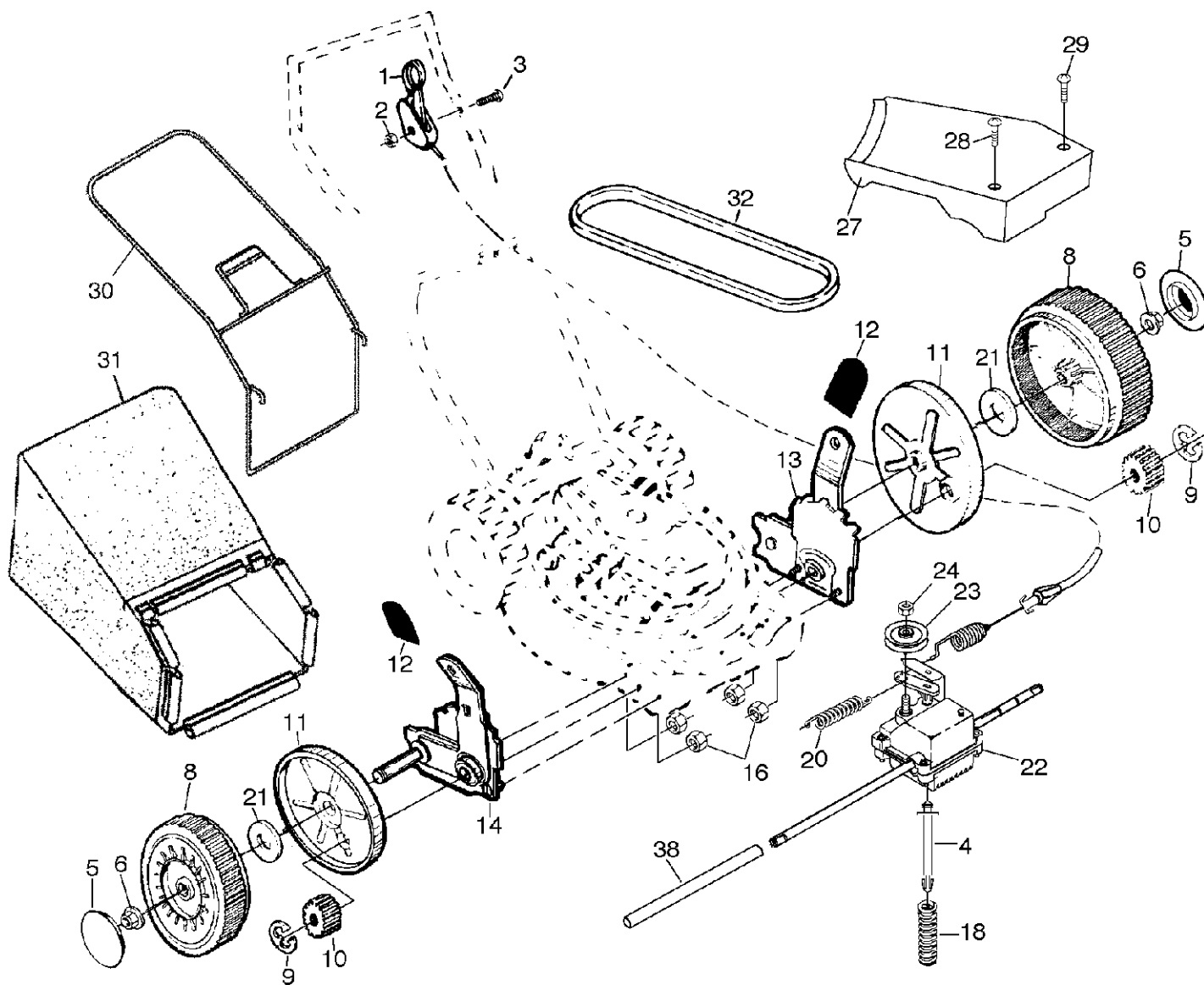
ROTARY LAWN MOWER - - MODEL NUMBER 6522CH (6522CHC)

KEY NO.	PART NO.	DESCRIPTION
2	532 17 65-80	Control Bar
3	532 16 71-63	Upper Handle
4	532 06 36-01	Locknut
5	532 13 08-61	Engine Zone Control Cable
6	532 13 20-04	Nut, Hex 1/4-20
7	532 70 04-17	Throttle Control
8	532 14 49-29	Hex Washer Head Screw 1/4-20 x 2-1/8
9	532 13 63-76	Handle Knob
12	532 17 09-47	Rear Door Kit (Includes Springs)
15	532 16 42-65	Handle Grip
16	532 15 00-50	Screw
17	532 10 73-39	Danger Decal
18	532 15 00-50	Screw
19	532 15 50-47	Wheel Adjusting Bracket
20	532 08 45-96	Engine Pulley
21	532 08 76-77	Hi Pro Key #505
23	532 12 53-48	Rear Baffle
24	532 14 05-40	Rear Skirt
25	532 13 88-60	Side Baffle
26	532 16 68-00	Back Plate
27	532 08 39-23	Flanged Locknut
28	532 05 45-83	Screw Hex Head 1/4-20 x 1/2
29	532 18 08-57	Discharge Baffle
30	532 17 95-85	Rope Guide
31	532 06 64-26	Wire Tie
32	532 15 36-05	Lower Handle
33	532 13 19-59	Handle Bolt
34	532 05 17-93	Hairpin Cotter
38	532 75 20-63	Wheel & Tire Assembly
39	532 14 27-48	Shoulder Bolt
40	532 06 16-51	Spring Washer
41	532 16 22-33	Axle Arm
42	532 17 71-32	Selector Spring
43	532 17 54-77	Selector Knob
44	532 12 84-15	Pop Rivet

KEY NO.	PART NO.	DESCRIPTION
45	532 14 66-30	Spacer
47	532 15 00-78	Self-tapping Screw 5/16-18 x 3/4
50	532 17 71-30	Handle Bracket (Right)
51	532 17 71-31	Handle Bracket (Left)
52	532 75 15-92	Locknut 3/8-16
54	532 12 50-78	Washer
55	532 15 04-06	Hex Head Thread Rolling Screw 3/8-16 x 1-1/8
57	532 17 05-57	Front Baffle
59	532 85 10-84	Hex Head Machine Screw 3/8-24 x 1-3/8 Gr. 8
60	532 85 02-63	Helical Lock Washer
61	532 85 10-74	Hardened Washer
62	532 14 11-14	Blade 22"
63	532 85 15-14	Blade Adapter
64	532 17 65-83	Lawn Mower Housing Kit (Includes Key No. 17)
65	- - -	Engine, Briggs & Stratton, Model Number 120602 (Order parts from engine manufacturer)
68	532 08 86-52	Hinge Screw
69	532 16 66-49	Mulcher Plug
70	532 13 46-12	Debris Shield
75	874 76 06-12	Bolt
77	532 08 83-48	Flat Washer
78	532 15 07-57	Combi-Cut Door Assm.
79	532 05 71-43	Wave Washer
82	532 08 38-16	Screw
83	532 21 31-46	Engine Clamp
84	532 06 36-01	Nut
85	532 15 06-53	Clip on Guard
86	817 60 04-06	Screw
89	532 16 59-12	Bolt
91	532 17 09-39	Spring RH
92	532 17 09-38	Spring LH
--	532 16 23-00	Warning Decal
--	532 18 12-85	Owner's Manual

NOTE: All component dimensions given in U.S. inches.
1 inch = 25.4 mm

For Husqvarna Parts Call 606-678-9623 or 606-561-4983
ROTARY LAWN MOWER - - MODEL NUMBER 6522CH (6522CHC)



KEY NO.	PART NO.	DESCRIPTION
1	532 14 63-23	Drive Control
2	532 75 11-52	Locknut #10-24
3	532 15 87-55	Pan Head Machine Screw 1/4-20 x 2-1/8
4	532 15 04-95	Spring Retainer
5	532 07 74-00	Hubcap
6	532 14 52-12	Nut
8	532 18 07-80	Wheel & Tire Assembly
9	812 00 00-58	E-ring
10	532 13 70-54	Pinion
11	532 18 05-04	Dust Cover
12	532 08 78-77	Selector Knob
13	532 15 15-21	Wheel Adjuster Assembly (Left)
14	532 15 15-20	Wheel Adjuster Assembly (Right)
16	532 06 36-01	Locknut
18	532 13 70-90	Spring

KEY NO.	PART NO.	DESCRIPTION
20	532 07 51-92	Spring
21	532 06 77-25	Washer 1/2 x 1-1/2 x .134
22	532 70 25-11	Gear Case Assembly
23	532 13 70-52	Drive Pulley
24	532 13 20-10	Locknut
27	532 70 04-79	Drive Cover
28	532 14 60-72	Screw
29	532 14 97-46	Pan Head Tapping Screw #10-24 x 1-3/4
30	532 16 99-31	Catcher Frame
31	532 17 65-75	Grass Bag
32	532 14 65-27	V-Belt
38	532 08 60-12	Drive Shaft Cover

NOTE: All component dimensions given in U.S. inches.
 1 inch = 25.4 mm