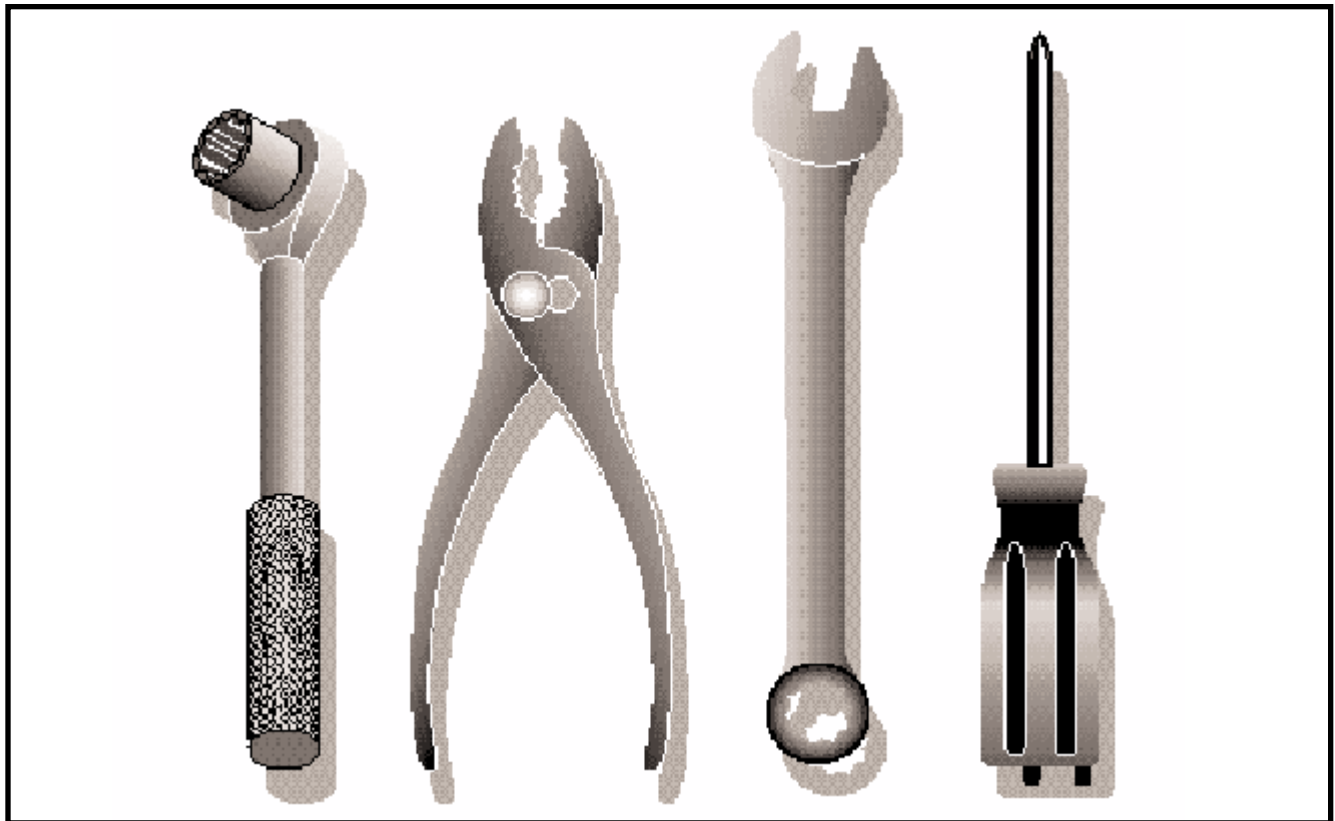




Illustrated Parts List	2001-10
	I0102032

LT 1238 C

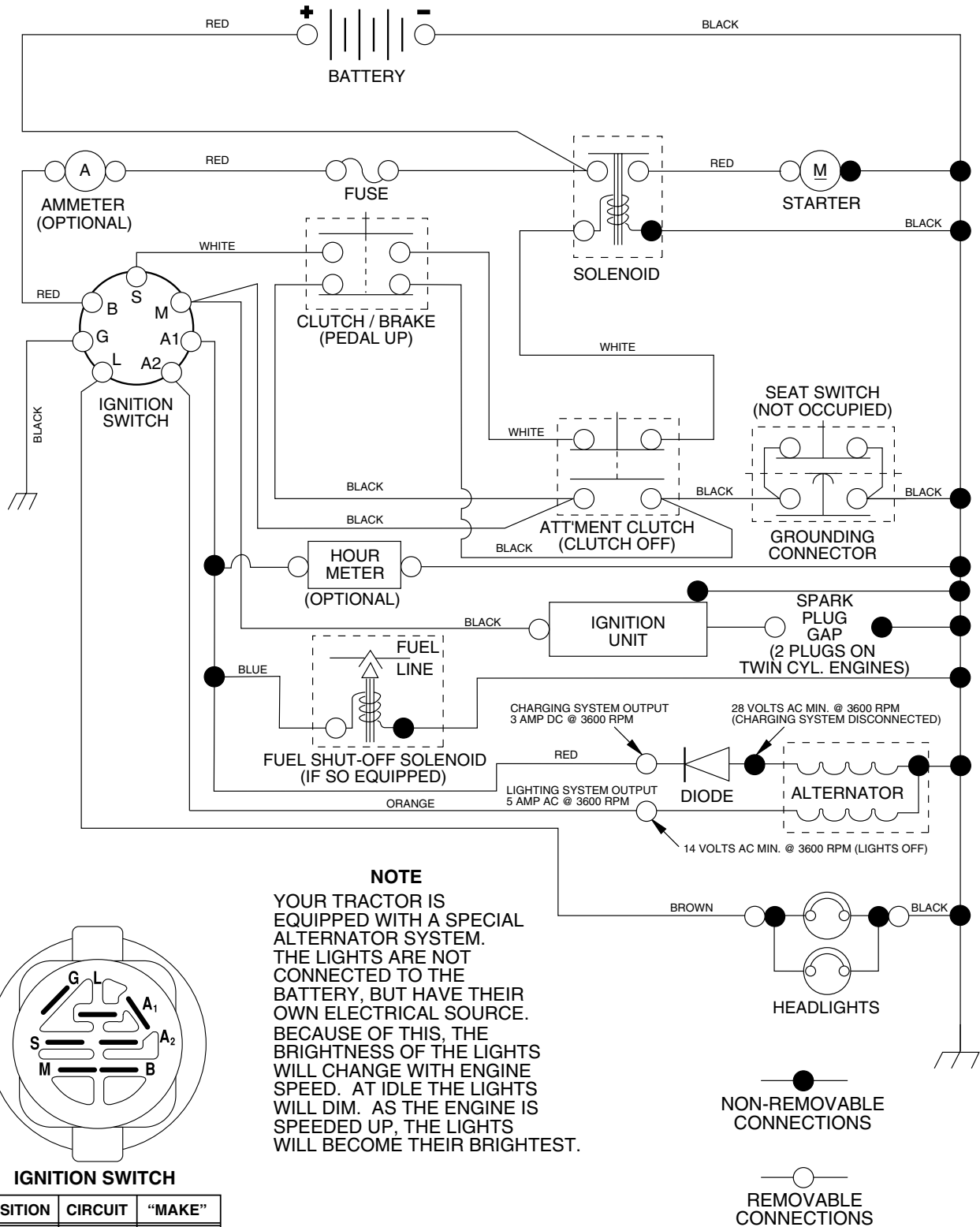
954567024



Repair Parts Manual

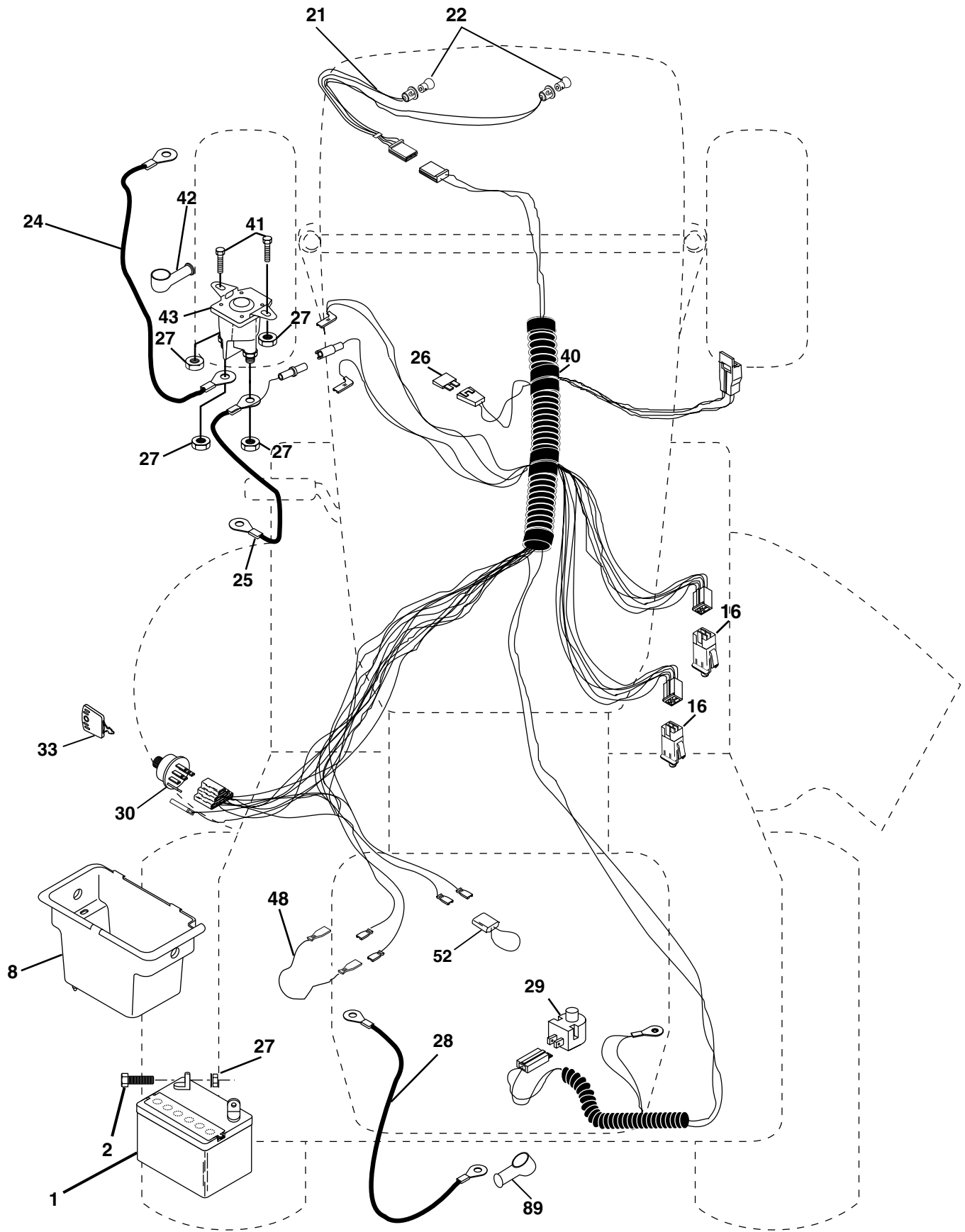
Ride Mower

**TRACTOR - - MODEL NUMBER LT1238 (LT1238C), PRODUCT NO. 954 56 70-24
SCHEMATIC**



REPAIR PARTS

TRACTOR - - MODEL NUMBER LT1238 (LT1238C), PRODUCT NO. 954 56 70-24
ELECTRICAL



REPAIR PARTS

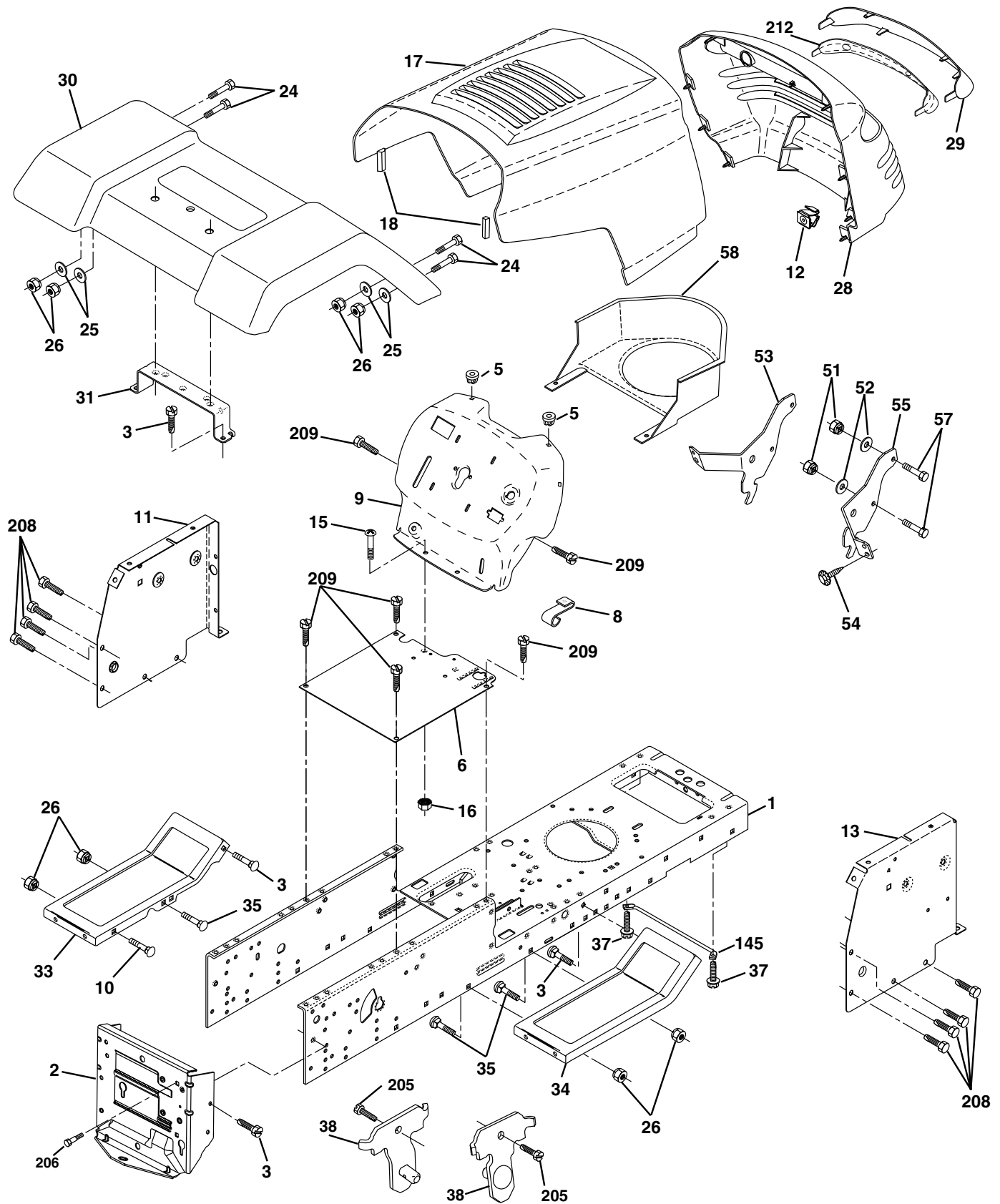
TRACTOR - - MODEL NUMBER LT1238 (LT1238C), PRODUCT NO. 954 56 70-24
ELECTRICAL

KEY NO.	PART NO.	DESCRIPTION
1	532 16 34-65	Battery 12 Volt 25 Amp
2	874 76 04-12	Bolt Hex Hd 1/4-20unc X 3/4
8	532 17 66-89	Case Battery Mech Hiinge
16	532 17 61-38	Switch Interlock Push-In
21	532 16 61-81	Harness Asm Light W/4152j
22	532 00 41-52	Bulb Light #1156
24	532 12 47-80	Cable Battery 6 Ga 11"red
25	532 14 61-47	Cable Battery
26	532 17 51-58	Fuse
27	873 51 04-00	Nut Keps Hex 1/4-20 Unc
28	532 12 47-73	Cable Ground 6 Ga 12"black
29	532 12 13-05	Switch Plunger Nc Gray
30	532 17 55-66	Switch Ign
33	532 14 04-01	Key Ign
40	532 17 97-20	Harness Ign
41	871 11 04-08	Bolt Blk Fin Hex 1/4-20
42	532 13 15-63	Cover Terminal Red
43	532 17 88-61	Solenoid
48	532 14 08-44	Adapter Ammeter
52	532 14 19-40	Protection Wire Loop

NOTE: All component dimensions given in U. S. inches 1 inch = 25.4 mm.

REPAIR PARTS

TRACTOR - - MODEL NUMBER LT1238 (LT1238C), PRODUCT NO. 954 56 70-24
CHASSIS



REPAIR PARTS

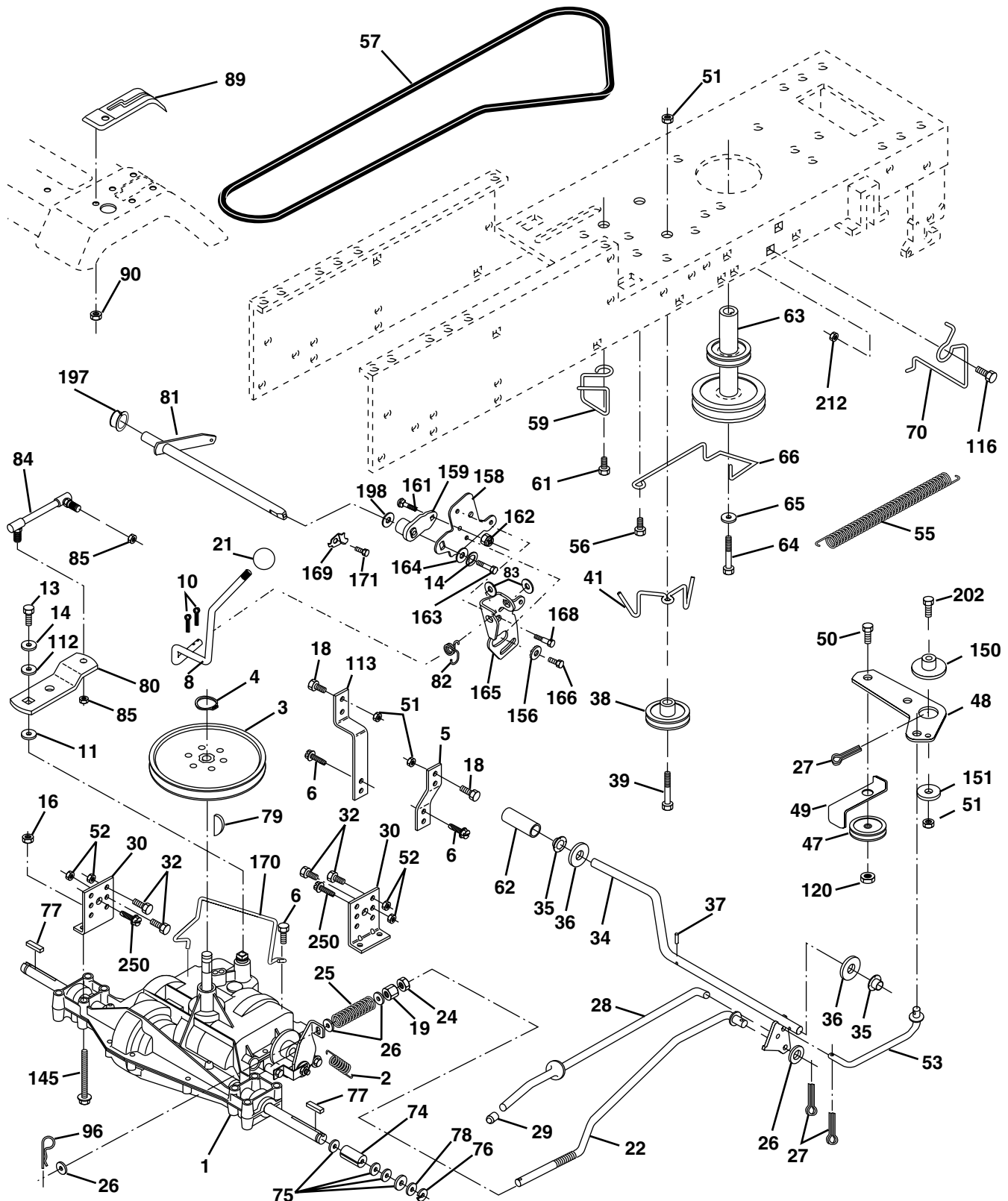
TRACTOR - - MODEL NUMBER LT1238 (LT1238C), PRODUCT NO. 954 56 70-24
CHASSIS

KEY NO.	PART NO.	DESCRIPTION
1	532 17 46-20	Chassis
2	532 17 65-54	Drawbar
3	817 06 06-12	Screw 3/8-16 x 3/4
5	532 15 52-72	Bumper, Hood/Dash
6	532 15 59-23	Saddle
8	532 15 51-38	Clip Retainer Slide-On
9	532 17 17-96	Dash
10	872 14 06-08	Bolt, Carriage 3/8-16 x 1
11	532 15 59-27	Panel Dash LH
12	532 14 56-60	Clip Tinnerman Grille P.L
13	532 17 30-25	Panel Sikscr Dash RH
15	874 18 05-12	Screw Mach TRHD 5/16-18uncx3/4
16	873 51 05-00	Nut Keps 5/16-18 Unc
17	532 16 22-37	Hood
18	532 12 69-38	BumperHood
24	874 78 06-16	Bolt Fin Hex 3/8-16unc X 1 Gr. 5
25	819 13 13-12	Washer 13/32 X 13/16 X 12 Ga
26	873 80 06-00	Nut Lock Hex w/Ins 3/8-16 Unc
28	532 14 34-99	Grille/Lens Asm.
29	532 16 81-54	Lens Grille Private Label
30	532 17 70-25	Fender
31	532 13 66-19	Bracket Fender Repl 109873x
33	532 18 10-57	Footrest Pnt LH
34	532 18 10-58	Footrest Pnt RH
35	872 11 06-06	Bolt Rdhd Sht Sqnk 3/8-16 X3/4
37	817 49 05-08	Screw Thdrol 5/16-18 x 1/2 TYT
38	532 17 57-10	Bracket Asm. Pivot Mower Rear
51	873 80 04-00	Nut Lock W/Insert 1/4-20unc
52	819 09 14-16	Washer 9/32 x 7/8x16 Ga.
53	532 14 46-97	Bracket Grille Lh
54	532 16 14-64	Screw Hex 8-18 x 7/8
55	532 14 46-96	Bracket Grille Rh
57	874 78 04-12	Bolt Fin Hex 1/4-20 unc x .75
58	532 15 01-27	Duct Air Engine PL/LT
145	532 15 65-24	Rod Pivot Chassis/Hood
205	817 49 06-08	Screw Thdrol 3/8-16 x 1/2
206	532 17 01-65	Bolt Shoulder 5/16-18
208	817 67 06-08	Screw Thdrol 3/8-16 x 1/2
209	817 00 06-12	Screw Hex Wsh Thdrol 3/8-16
212	532 15 62-29	Insert Lens Reflect
---	532 00 54-79	Plug Button Blk 359 Dia Choke

NOTE: All component dimensions given in U.S. inches
1 inch = 25.4 mm.

REPAIR PARTS

TRACTOR - - MODEL NUMBER LT1238 (LT1238C), PRODUCT NO. 954 56 70-24
DRIVE



REPAIR PARTS

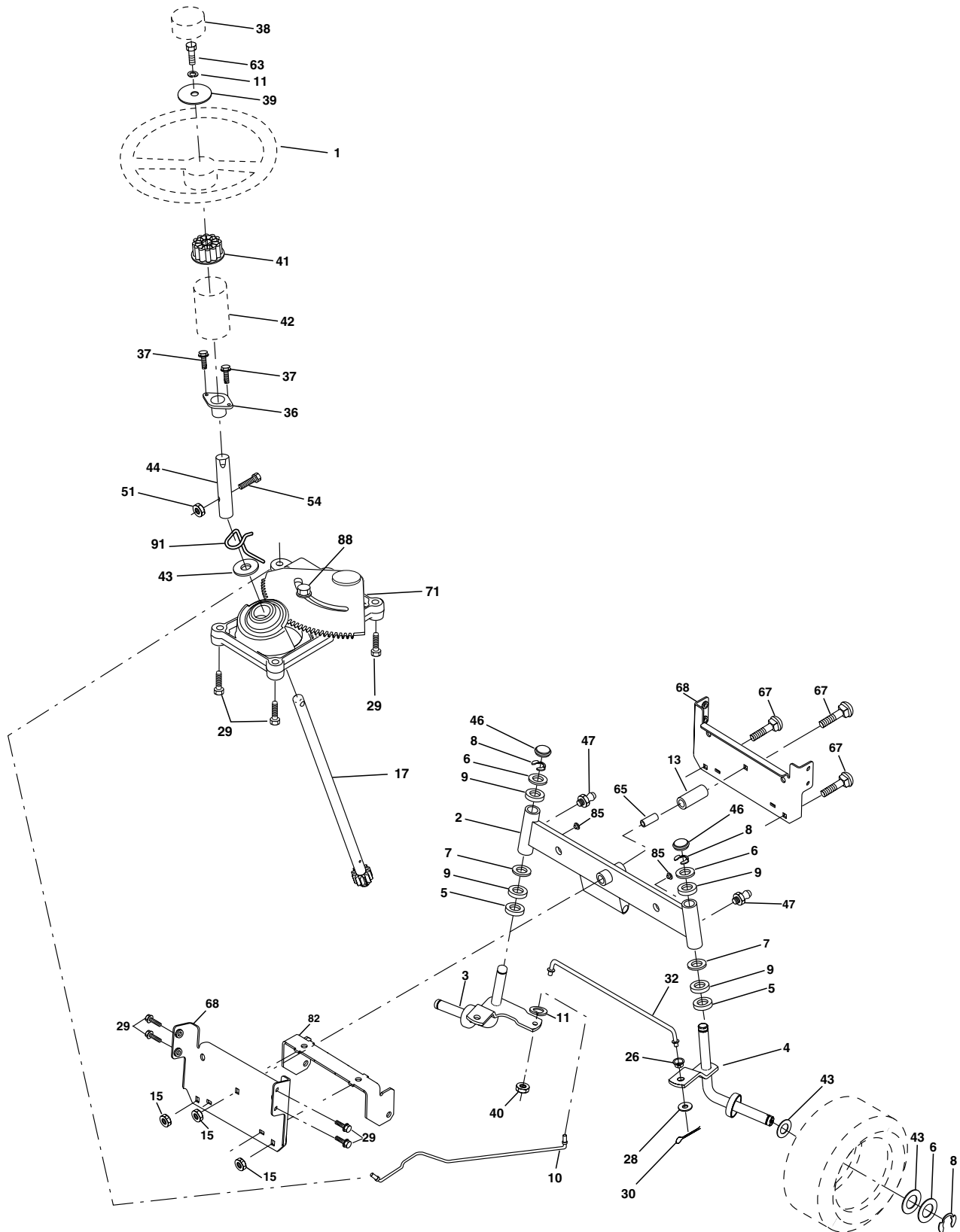
TRACTOR - - MODEL NUMBER LT1238 (LT1238C), PRODUCT NO. 954 56 70-24 DRIVE

KEY NO.	PART NO.	DESCRIPTION	KEY NO.	PART NO.	DESCRIPTION
1	-----	Transaxle, Peerless 206-545C (Order parts from transaxle manufacturer)	64	871 17 07-64	Bolt Hex
2	532 14 66-82	Spring Return Brake T/a Zinc	65	810 04 07-00	Washer Lock Hvy Hlcl Spr 7/16
3	532 12 36-66	Pulley Transaxle 18" tires	66	532 15 47-78	Keeper Belt Engine Foolproof
4	812 00 00-28	Ring Retainer # 5100-62	70	532 13 46-83	Guide Belt Mower Drive RH
5	532 12 15-20	Strap Torque 30 Degrees	74	532 13 70-57	Spacer Axle
6	817 06 05-12	Screw 5/16-18 x 3/4	75	532 12 17-49	Washer 25/32 X 1 1/4 X 16 Ga
8	532 16 56-19	Rod Shifter Fender Adj Lt	76	812 00 00-01	E-ring #5133-75
10	876 02 04-16	Pin Cotter 1/8 x 1 Cad	77	532 12 35-83	Key Square 2 0 X 1845/ 1865
11	532 10 57-01	Washer Plate Shf 388 Sq Hole	78	532 12 17-48	Washer 25/32 X 1-5/8 X 16 Ga
13	874 55 04-12	Bolt 1/4-28 Unf Gr 8 W/Patch	79	532 12 50-96	Key Woodruff
14	810 04 04-00	Washer Lock Hvy Helical 1/4	80	532 13 14-86	Arm Shift
16	873 80 05-00	Nut Lock	81	532 16 55-94	Shaft Asm Cross Tapered 20"t
18	874 78 06-16	Bolt, Fin Hex 3/8-16 UNC x 1 Gr. 5	82	532 12 37-82	Spring Torsion T/a
19	873 80 06-00	Nut Lock 3/8-16 Unc	83	819 17 12-16	Washer 17/32 X 3/4 X 16 Ga
21	532 10 69-33	Knob	84	532 16 62-28	Link Transaxle
22	532 13 08-04	Rod Brake Blk Zinc 26 840	85	532 15 03-60	Nut Lock Center 1/4 - 28 FNTHD
24	873 35 06-00	Nut Hex Jam 3/8-16 Unc	89	532 17 70-31	Console Shift STLT
25	532 10 68-88	Spring Rod Brake 2 00 Zinc	90	532 12 43-46	Nut Self-thd Wsh-hd 1/4 Zinc
26	819 13 13-16	Washer 13/32 X 13/16 X 16 Ga	96	532 12 47-88	Retainer Spring
27	876 02 04-12	Pin Cotter 1/8 X 3/4 Cad	112	819 09 12-10	Washer 9/32 x 3/4 x 10 Ga.
28	532 17 57-65	Rod Brake Parking	113	532 12 72-85	Strap Torque Lh
29	532 07 16-73	Cap Brake Parking	116	872 14 06-08	Bolt Rdhd Sq Neck 3/8-16 x 1.00
30	532 17 49-73	Bracket Mtg Transaxle	120	873 90 06-00	Nut Lock Fig 3/8-16
32	874 76 05-12	Bolt Hex Hd 5/16-18unc X 3/4	145	874 49 05-40	Bolt Hex 5/16-18 Gr. 5
34	532 17 55-78	Shaft Asm Pedal Foot	150	532 17 54-56	Spacer Retainer
35	532 12 01-83	Bearing Nylon Blk 629 Id	151	819 13 32-10	Washer 13/32 x 2 x 10
36	819 21 16-16	Washer 21/32 X 1 X 16 Ga	156	532 16 60-02	Washer Srrted 5/16 ID x 1.125
37	532 12 49-63	Pin Roll 3/16 X 1"	158	532 16 55-89	Bracket Shift Mount
38	532 17 91-14	Pulley Idler Composite	159	532 16 54-94	Hub Tapered Flange Shift It
39	874 76 06-48	Bolt Fin Hex 3/8-16unc X 3	161	872 14 04-06	Bolt Rdhd Sqnk 1/4-20 x 3/4 Gr 5
41	532 17 55-56	Keeper Belt Retainer Idler	162	873 68 04-00	Nut Crownlock 1/4-20 Unc
47	532 12 77-83	Pulley Idler V Groove Plastic	163	874 78 04-16	Bolt Hex Fin 1/4-20 Unc x 1 Gr 5
48	532 15 44-07	Bellcrank Asm	164	819 09 10-10	Washer 5/8 x .281 x 10 Ga
49	532 12 32-05	Retainer Belt Style Spring	165	532 16 56-23	Bracket Pivot Lever
50	874 76 06-24	Bolt Hex Hd 3/8-16unc X 1-1/2	166	532 16 68-80	Screw 5/16-18 x 5/8
51	873 68 06-00	Nut Crownlock 3/8-16 Unc	168	532 16 54-92	Bolt Shoulder 5/16-18 x .561
52	873 68 05-00	Nut Crownlock 5/16-18 Unc	169	532 16 55-81	Plate Fastening Lt
53	532 10 57-10	Link Clutch	170	532 17 83-94	Keeper Belt T/A
55	532 10 57-09	Spring Return Clutch 6 75	171	817 49 06-08	Screw Thdrol 3/8-16 x 1/2
56	817 06 06-20	Screw 3/8-16 X 1-1/4	197	532 16 96-13	Nyliner, Snap - in
57	532 13 08-01	V-Belt Ground Drive	198	532 16 95-93	Washer, Nyl.
59	532 16 96-91	Keeper Belt Span Ctr	202	872 11 06-14	Bolt, Carriage 3/8 - 16 x 1-3/4
61	817 12 06-14	Screw 3/8-16 x .875	212	532 14 52-12	Nut Flange Hex Lock
62	532 12 48-72	Cover Pedal Blk Round	250	817 06 06-12	Screw 3/8-16 x .75
63	532 17 54-10	Engine Pulley			

NOTE: All component dimensions given in U.S. inches
1 inch = 25.4 mm

REPAIR PARTS

TRACTOR - - MODEL NUMBER LT1238 (LT1238C), PRODUCT NO. 954 56 70-24
STEERING



REPAIR PARTS

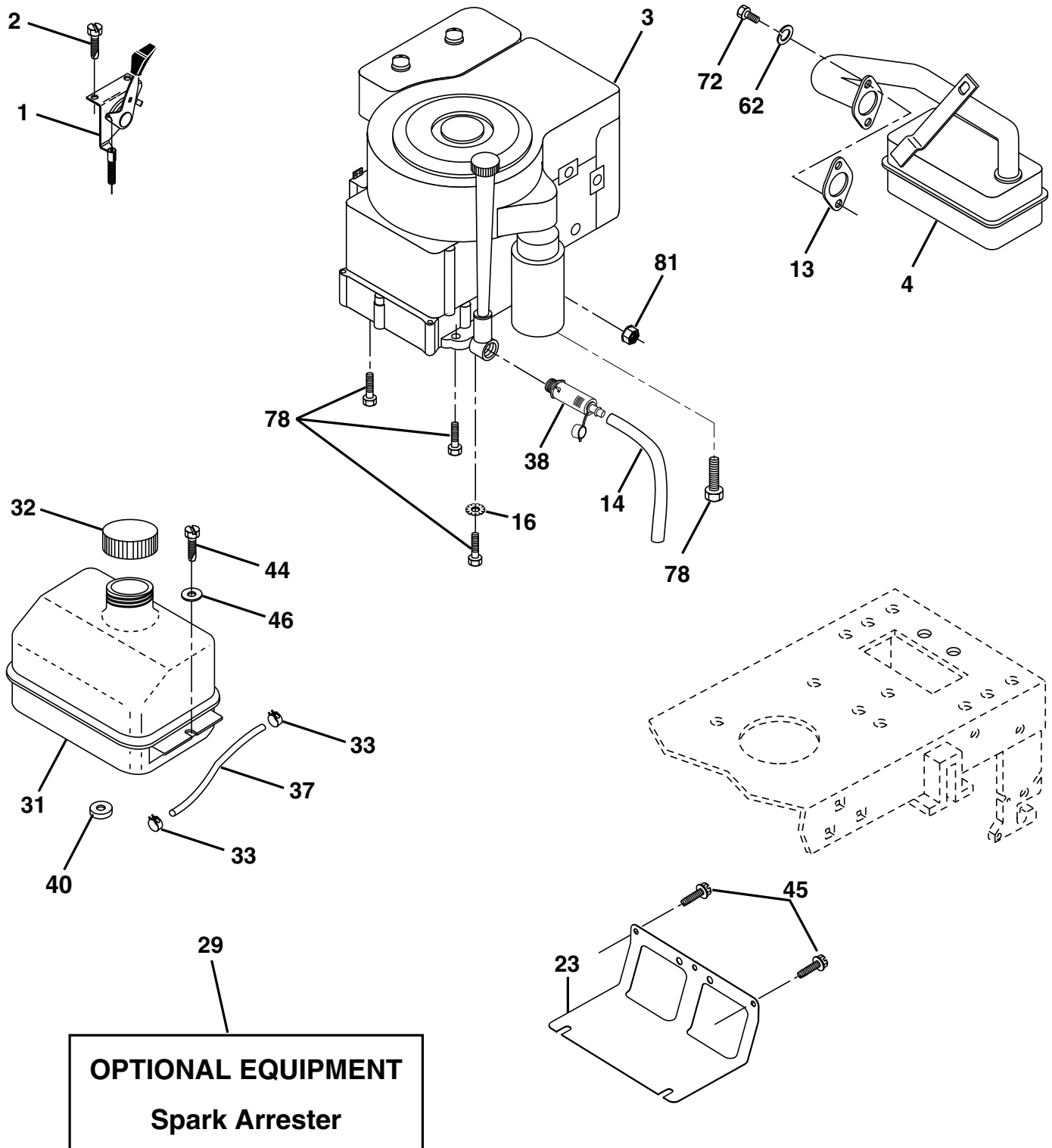
**TRACTOR - - MODEL NUMBER LT1238 (LT1238C), PRODUCT NO. 954 56 70-24
STEERING**

KEY NO.	PART NO.	DESCRIPTION
1	532 12 44-15	Wheel Steering
2	532 17 51-31	Axle Asm
3	532 16 98-40	Spindle Asm LH
4	532 16 98-39	Spindle Asm RH
5	532 12 49-31	Bearing Race Thrust Harden
6	532 12 17-48	Washer 25/32 X 1-5/8 X 16 Ga
7	819 27 20-16	Washer 27/32 X 1-1/4 X 16 Ga
8	812 00 00-29	Ring Klip #t5304-75
9	532 12 49-37	Bearing Col Strg Blk
10	532 17 51-21	Link Drag
11	810 04 06-00	Washer Lock Hvy Hlcl Spr 3/8
13	532 13 65-18	Spacer earing Axle Front
15	532 14 52-12	Hexflange Lock
17	532 17 78-76	Shaft Asm Strg
26	532 12 68-47	Bushing Link Drag Blk LR
28	819 13 14-16	Washer 13/32 X 7/8 X 16 Ga
29	817 06 06-12	Screw 3/8-16 x 3/4
30	876 02 04-12	Pin Cotter 1/8 X 3/4 Cad
32	532 13 04-65	Rod Tie Wire Form 19 75 Mech
36	532 15 50-99	Bushing Strg 5/8 Id Dash
37	532 15 29-27	Screw
38	532 12 44-16	Cap Wheel Steer
39	819 13 38-12	Washer 13/32 x 2-3/8 x 12 Ga.
40	532 12 47-01	Nut Lock Center 3/8-24un
41	532 10 07-11	Adaptor Wheel Strg
42	532 16 96-34	Boot Dash Mtl Steering Blk
43	532 12 17-49	Washer 25/32 X 1 1/4 X 16 Ga
44	532 15 37-20	Extension Steering
46	532 12 12-32	Cap Spindle Fr Top Blk
47	532 12 48-36	Fitting Grease
51	873 80 05-00	Nut Lock Hex W/Ins 5/16-18
54	874 78 05-20	Bolt Fin Hex 3/8-16unc x 1-1/4
63	874 78 06-16	Bolt Fin Hex 3/8-16unc x 1 Gr.5
65	532 16 03-67	Spacer Brace Axle
67	872 14 06-18	Bolt Fin Hex 5/8-11 unc x 2-3/4
68	532 16 98-27	Brace Axle
71	532 17 51-46	Steering Asm
82	532 16 98-35	Bracket Susp Chassis Front
85	532 13 38-35	Fastener Christmas Tree
88	532 17 51-18	Bolt shoulder 7/16-20
91	532 17 55-53	Clip Steering

NOTE: All component dimensions given in U.S. inches
1 inch = 25.4 mm.

REPAIR PARTS

TRACTOR - - MODEL NUMBER LT1238 (LT1238C), PRODUCT NO. 954 56 70-24
ENGINE



REPAIR PARTS

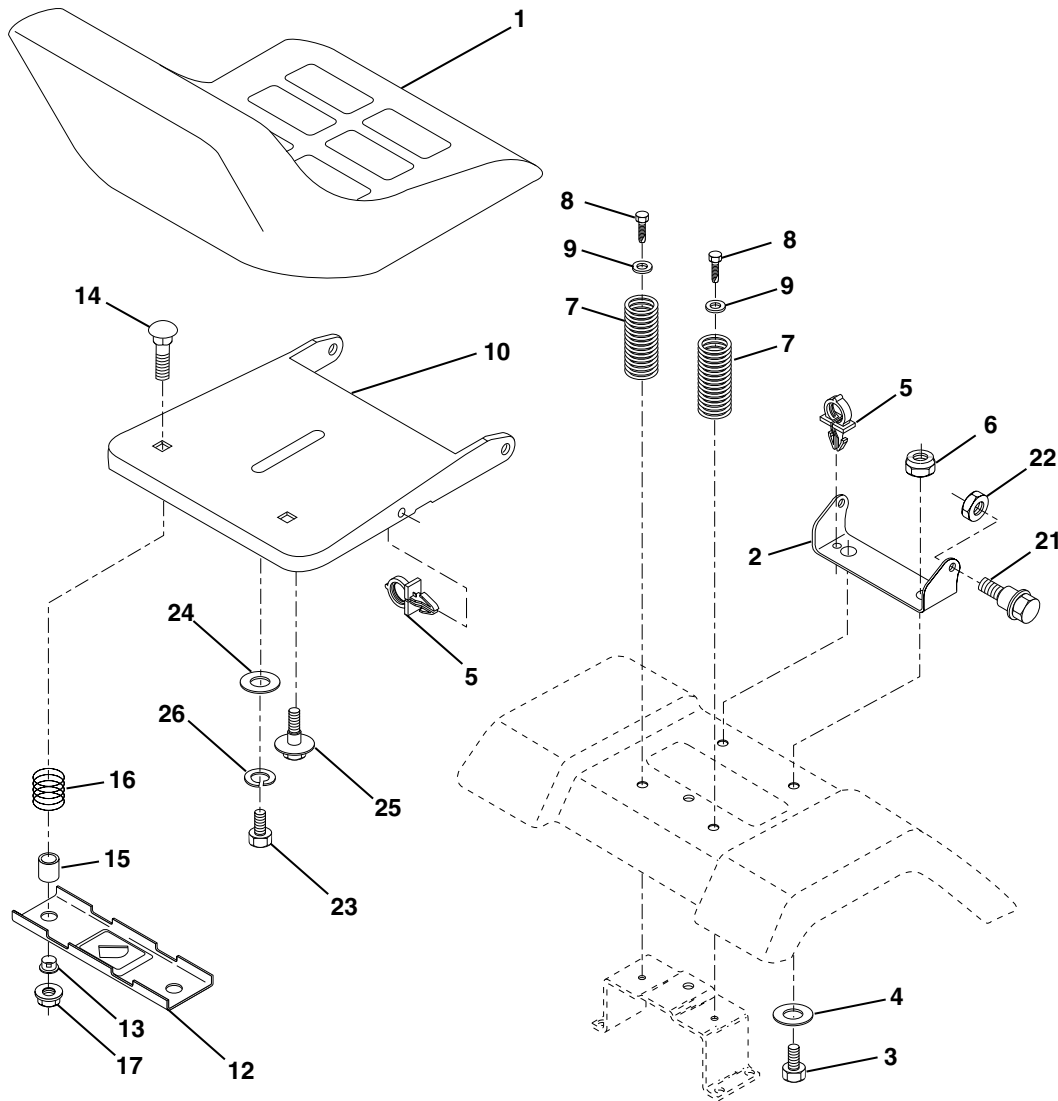
TRACTOR - - MODEL NUMBER LT1238 (LT1238C), PRODUCT NO. 954 56 70-24
ENGINE

KEY NO.	PART NO.	DESCRIPTION
1	532 17 05-51	Control Th/ch Flag
2	817 72 04-10	Screw Hex Thd Cut 1/4-20x5/8 T
3	-----	Engine, B&S 289707 (Order parts from engine manufacturer)
4	532 13 73-48	Muffler Exhaust B&S Lc
13	532 16 52-91	Gasket Eng 1 313 Id Tin Plated
14	532 14 84-56	Tube Drain Oil Easy
16	811 05 06-00	Washer Lock Ext Tooth 3/8
23	532 16 98-37	Shield BRN/DBR Guard
29	532 13 71-80	Kit Spark Arrestor (Flat Scrm)
31	532 10 92-02	Tank Fuel Front
32	532 14 05-27	Cap Asm Fuel
33	532 12 34-87	Clamp Hose
37	532 13 70-40	Line Fuel 20"
38	532 14 83-15	Plug Drain Oil Easy
40	532 12 40-28	Bushing Snap NYL BLK Fuel Line
44	817 67 04-12	Screw Thdrol 1/4-20 x 3/4
45	817 00 06-12	Screw Hex Wsh Thdrol 3/8-16
46	819 09 14-16	Washer 9/32 X 7/8 X 16 Ga
62	810 04 05-00	Washer Lock Hvy Hlcl Spr
72	871 07 05-12	Screw Hexcap 5/16-18 x 3/4
78	817 06 06-20	Screw 3/8-16 x 1-1/4
81	873 51 04-00	Nut Keps Hex 1/4-20 Unc

NOTE: All component dimensions given in U.S. inches
1 inch = 25.4 mm

REPAIR PARTS

TRACTOR - - MODEL NUMBER LT1238 (LT1238C), PRODUCT NO. 954 56 70-24
SEAT



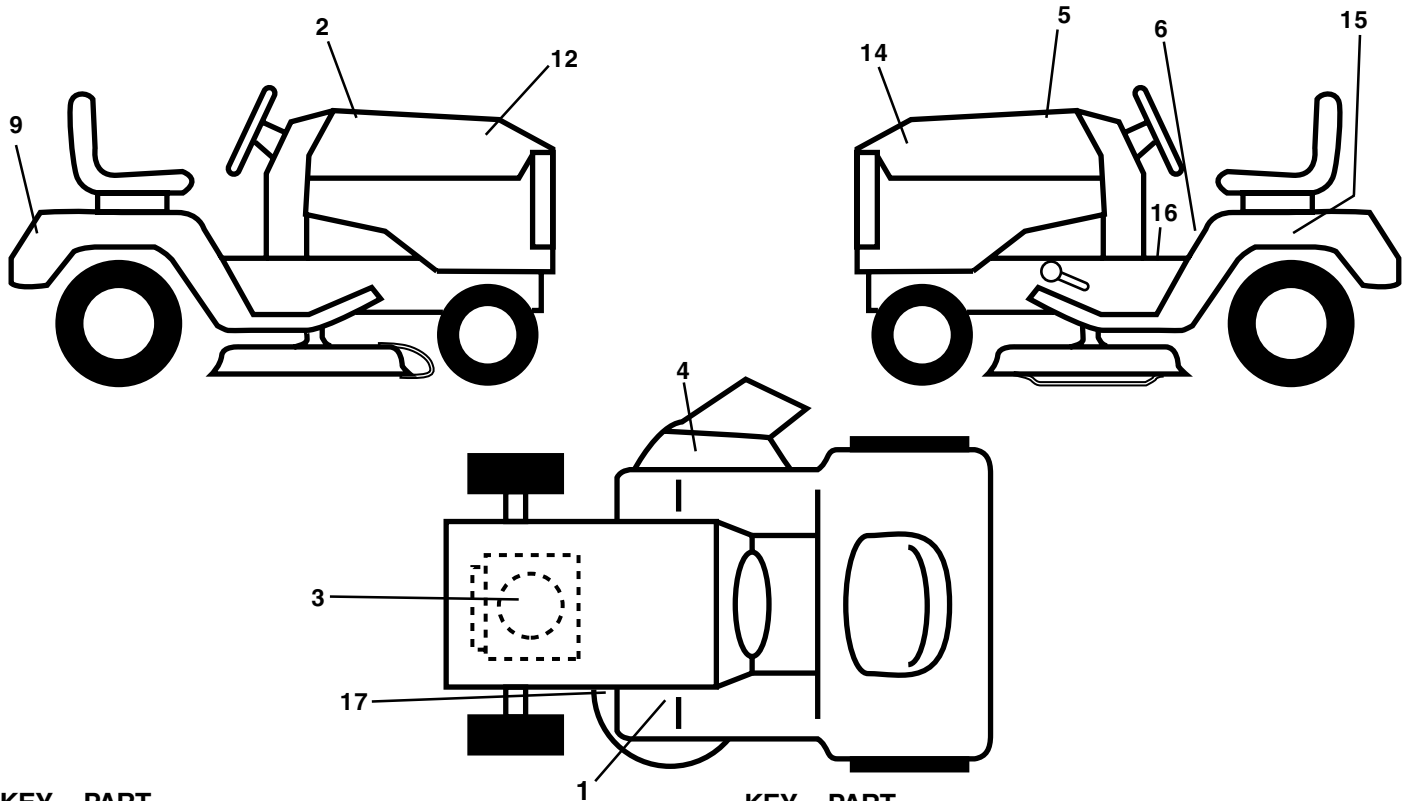
KEY NO.	PART NO.	DESCRIPTION
1	532 13 08-75	Seat
2	532 14 05-51	Bracket Seat Pivot
3	871 11 06-16	Bolt Hex 3/8 - 16 X 1
4	819 13 16-10	Washer 13/32 X 1 X10Ga.
5	532 14 50-06	Clip Push-In Hinged
6	873 80 06-00	Nut Lock Hex w/Ins 3/8 - 16
7	532 12 41-81	Spring Seat Cprsn 2 250 Blk Zi
8	817 00 06-16	Screw 3/8-16 x 1.5
9	819 13 16-14	Washer 13/32 X 1 X 14 Ga
10	532 17 48-94	Pan Pnt Seat (Blk)
12	532 12 12-46	Bracket Pnt Mounting Switch
13	532 12 12-48	Bushing Snap Blk Nyl

KEY NO.	PART NO.	DESCRIPTION
14	872 05 04-12	Bolt Rdhd Sht Nk 1/4 - 20 X 1 -1/2
15	532 13 43-00	Spacer Split .28 X .96
16	532 12 12-50	Spring Cprsn
17	532 12 39-76	Nut Lock 1/4 Lge Flg
21	532 17 18-52	Bolt Shoulder 5/16-18 Unc-2A
22	873 80 05-00	Nut Lock Hex w/Ins 5/16 - 18
23	871 11 08-14	Bolt Hex Black
24	819 17 19-12	Washer 17/32 X 1-3/16 X 12 Ga
25	532 12 70-18	Bolt Shoulder 5/16-18 X .62
26	810 04 08-00	Washer Lock Hvy Hlcl Spr 1/2

NOTE: All component dimensions given in U.S. inches
1 inch = 25.4 mm.

REPAIR PARTS

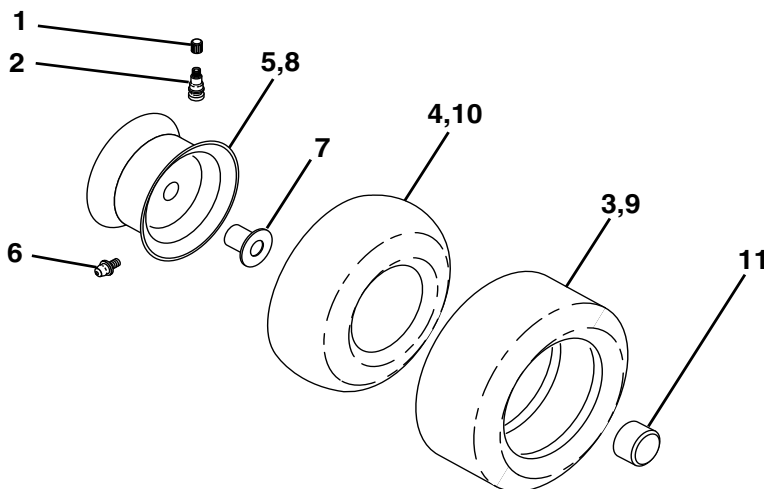
TRACTOR - - MODEL NUMBER LT1238 (LT1238C), PRODUCT NO. 954 56 70-24
DECALS



KEY NO.	PART NO.	DESCRIPTION
1	532 10 18-92	Decal, Clutch/Brake Eng/Fr
2	532 18 09-41	Decal, Hood Cust. Resp.
3	532 17 08-39	Decal, Engine HP
4	532 17 05-63	Decal, Warning
5	532 18 09-40	Decal, Hood Replc. Parts
6	532 15 71-40	Decal, Fender Danger English
9	532 17 68-22	Decal, Fender
12	532 17 67-69	Decal, Hood RH
14	532 17 67-70	Decal, Hood LH
15	532 14 50-05	Decal, Caution, Battery
16	532 15 71-63	Decal, Oper Sdl P/L Gear Dr Eng

KEY NO.	PART NO.	DESCRIPTION
17	532 13 68-32	Decal, V-Belt Sch.
--	532 13 83-11	Decal, Handle Lft Height Adj.
--	532 17 99-16	Manual, Owner's English
--	532 17 99-17	Manual, Owner's French
Available accessories not included with mower:		
--	C38	Grass Catcher
--	MK38	Mulch Kit w/Blades
--	LSB42	42" Snow Blower
--	LC05	Wheel Weights
--	LBD48	48" Snow Blade
--	CH11	Tire Chains

WHEELS & TIRES

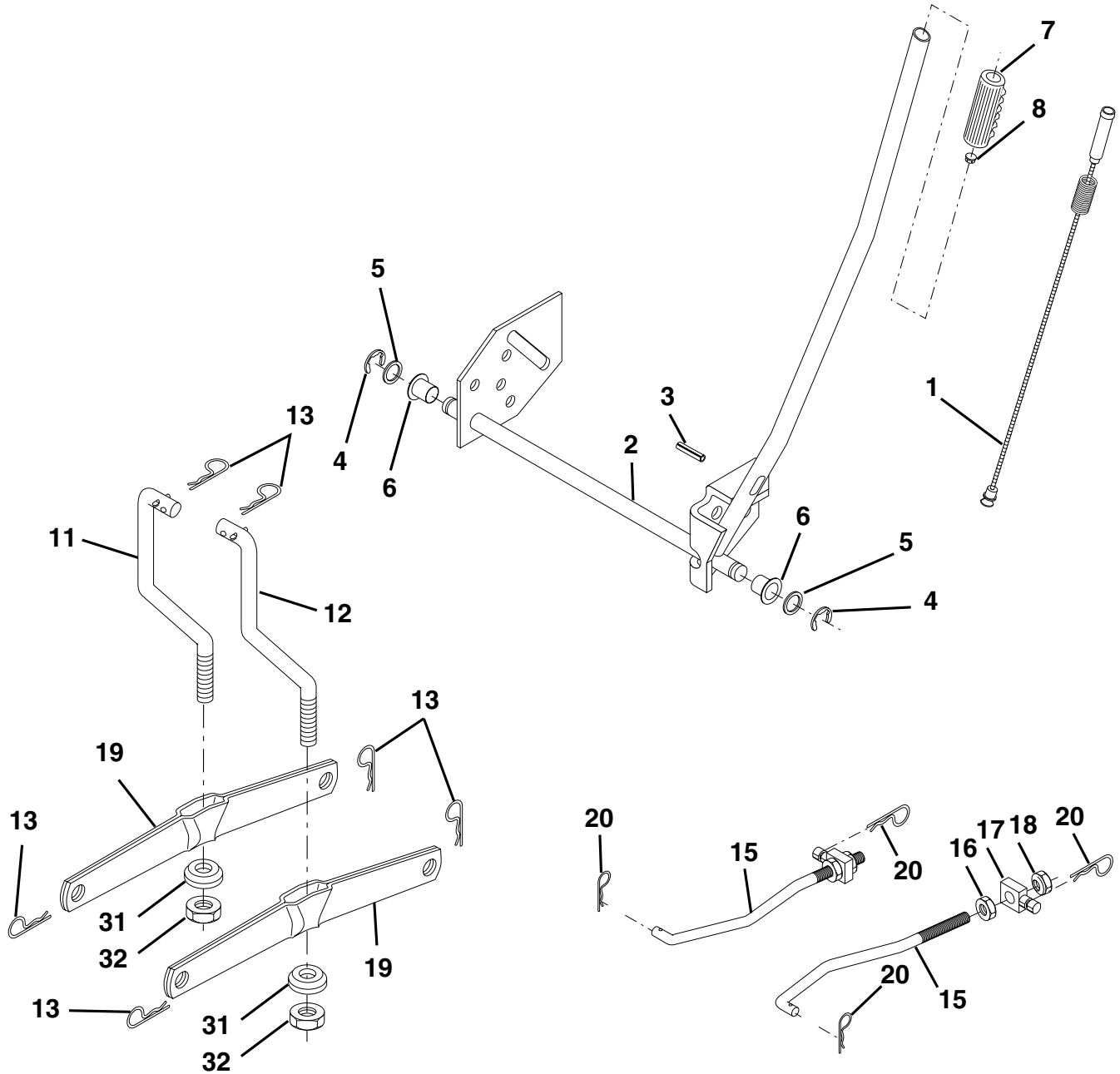


KEY NO.	PART NO.	DESCRIPTION
1	532 05 91-92	Cap, Tire valve
2	532 06 51-39	Stem, Valve
3	532 10 62-22	Tire, Front
4	532 05 99-04	Tube, Front (Service item only)
5	532 13 83-36	Rim assembly, 6" front
6	532 12 49-57	Fitting, Grease (Front wheel only)
7	532 12 49-59	Bearing, Flange (Front wheel only)
8	532 13 83-37	Rim assembly, 8" rear
9	532 12 46-35	Tire, Rear
10	532 12 49-26	Tube, Rear (Service item only)
11	532 17 50-39	Cap, Hub Axle
--	532 14 43-34	Sealant, Tire (10 oz. Tube)

NOTE: All component dimensions given in U.S. inches
1 inch = 25.4 mm

REPAIR PARTS

TRACTOR - - MODEL NUMBER LT1238 (LT1238C), PRODUCT NO. 954 56 70-24
MOWER LIFT



REPAIR PARTS

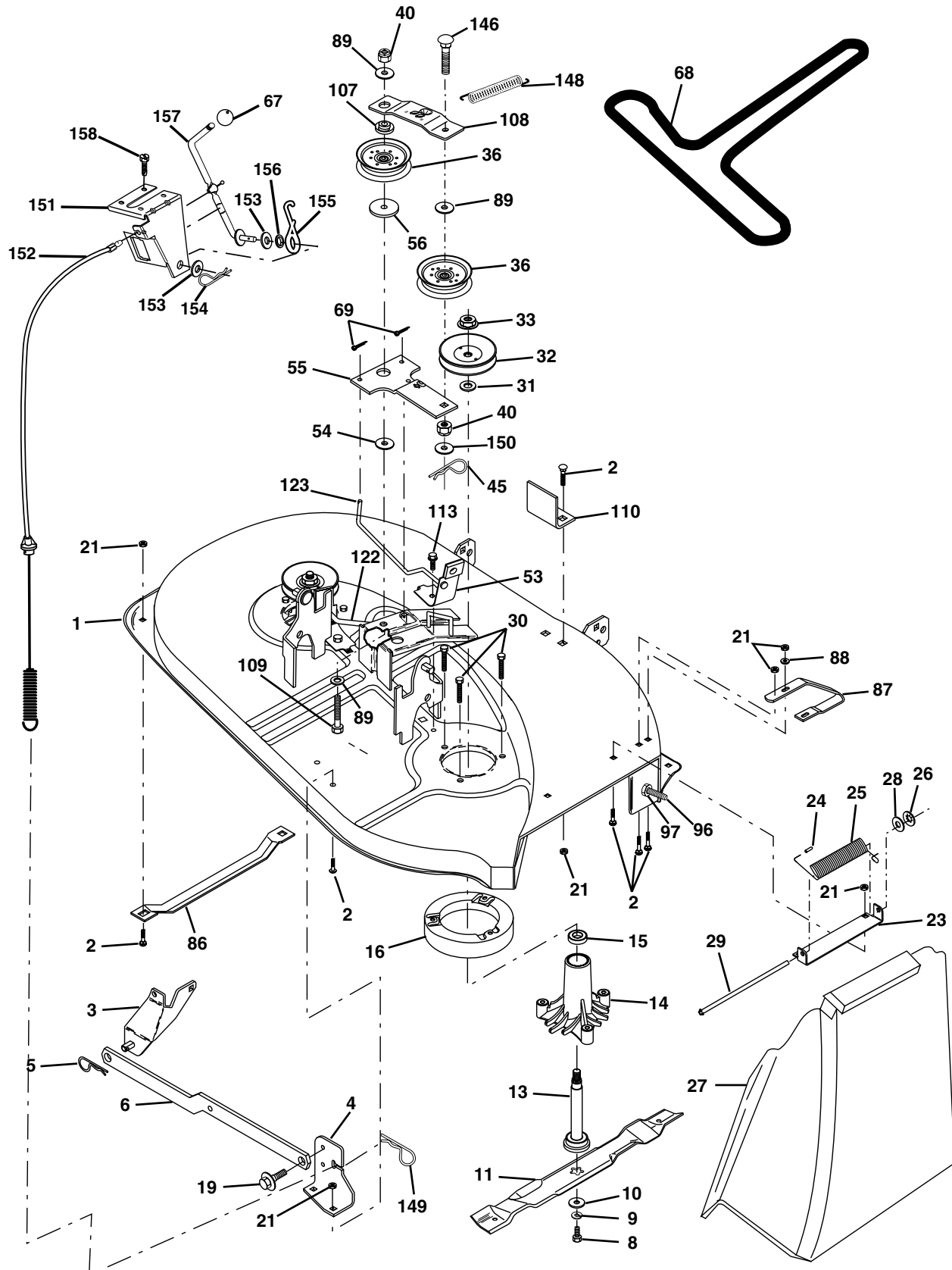
TRACTOR - - MODEL NUMBER LT1238 (LT1238C), PRODUCT NO. 954 56 70-24
MOWER LIFT

KEY NO.	PART NO.	DESCRIPTION
1	532 1594-60	Wire Asm Inner/Sprg w/plunger
2	532 1594-71	Shaft Asm Lift RH
3	532 1057-67	Pin Groove 1 500 Zinc
4	812 0000-02	E Ring #5133-62
5	819 2116-21	Washer 21/32 X 1 X 21 Ga
6	532 1201-83	Bearing Nylon Blk 629 Id
7	532 1094-13	Grip Handle Bicycle Matte Blk
8	532 1245-26	Button Plunger Black
11	532 1398-65	Link Lift LH Fixed Length
12	532 1398-66	Link Lift RH Fixed Length
13	532 1246-70	Retainer Spring
15	532 1732-88	Link Front
16	873 3508-00	Nut Jam Hex 1/2-13 Unc
17	532 1756-89	Trunnion
18	873 8008-00	Nut Lockw/Wsh 1/2-13 Unc
19	532 1398-68	Arm Suspension Rear
20	532 1635-52	Retainer, Spring
31	532 1698-65	Bearing Pvt Lift
32	873 5406-00	Nut Crownlock 3/8-24

NOTE: All component dimensions given in U.S. inches
1 inch = 25.4 mm.

REPAIR PARTS

TRACTOR - - MODEL NUMBER LT1238 (LT1238C), PRODUCT NO. 954 56 70-24
MOWER DECK



REPAIR PARTS

**TRACTOR - - MODEL NUMBER LT1238 (LT1238C), PRODUCT NO. 954 56 70-24
MOWER DECK**

KEY NO.	PART NO.	DESCRIPTION	KEY NO.	PART NO.	DESCRIPTION
1	532 17 02-80	Mower Housing Assembly	56	532 16 57-23	Spacer, Retainer
2	872 14 05-06	Bolt Carriage 5/16-18 x 3/4	67	532 10 69-32	Knob
3	532 13 80-17	Bracket Asm Fr. Sway Bar	68	532 14 42-00	V-Belt, 42" Mower
4	532 16 99-70	Bracket Deck Sway Bar 38"/42"	69	876 02 03-12	Pin, Cotter 3/32 x 3/4
5	532 12 46-70	Retainer Spring	86	532 12 50-74	Runner, LH
6	532 17 80-24	Sway Bar Deck	87	532 12 87-72	Runner, RH
8	532 85 08-57	Bolt 3/8-24 x 1.25 Grade 8	88	819 11 12-16	Washer 11/32 x 3/4 x 16 Ga
9	810 03 06-00	Washer, Lock 3/8	89	819 13 16-12	Washer 13/32 x 1 x 12 Ga.
10	532 14 02-96	Washer, Hardened	107	532 13 35-02	Spacer Retainer
11	532 13 84-97	Blade Mower	108	532 13 35-03	Stiffener, Idler Arm
13	532 13 76-45	Shaft Assembly, Mandrel, Vented (Includes Key Number 6)	109	874 76 06-40	Bolt, Hex Hd 3/8-16 x 2-1/2
14	532 12 87-74	Housing, Mandrel, Vented	110	532 14 25-87	Upstop Deck Front 38"
15	532 11 04-85	Bearing, Ball, Mandrel	113	817 06 05-12	Screw 5/16-1/ x 3/4
16	532 17 44-93	Stripper, Mower Deck	122	532 13 12-89	Rod, Brake LH
19	532 13 28-27	Bolt, Shoulder	123	532 16 99-71	Rod, Brake RH
21	873 68 05-00	Nut	146	532 16 58-91	Bolt Carriage Idler
23	532 13 76-07	Bracket, Mower Deflector	148	532 16 90-22	Spring Return Idler
24	532 10 53-04	Cap, Sleeve	149	532 16 58-98	Retainer Spring Yellow
25	532 12 37-13	Spring, Torsion, Deflector	150	819 09 12-16	Washer 9/32 x 3/4 x 16 Ga.
26	532 11 04-52	Nut, Push	151	532 16 96-70	Bracket Clutch Cable
27	532 17 59-43	Shield, Deflector	152	532 17 27-58	Clutch Cable 38"/46"
28	819 11 10-16	Washer 11/32 x 5/8 x 16 Gauge	153	532 16 96-74	Washer Flat 3/8" Type B
29	532 10 67-35	Rod, Hinge	154	532 16 96-75	Spring Retainer
30	532 17 39-84	Screw Thdrol. Hex	155	532 16 96-71	Spring Retention LVR CLTCH CAB
31	532 12 99-63	Washer, Spacer	156	532 16 96-72	Spacer Clutch Cable
32	532 15 35-32	Pulley, Mandrel	157	532 16 96-69	Rod Clutch Cable 3/8"
33	532 17 83-42	Nut, Toplock	158	817 72 04-08	Screw Hex Thd Cut 1/4-20 x 5/8
36	532 13 14-94	Pulley, Idler, Flat	--	532 13 07-94	Mandrel Assembly (Includes Housing Shaft and Shaft Hardware Only - Pulley Not Included)
40	873 68 06-00	Nut, Crownlock 3/8-16 Unc	--	532 18 08-74	Mower Replacement, Complete
45	532 12 47-88	Retainer			
53	532 13 08-40	Brake Assembly			
54	532 13 39-43	Washer, Hardened			
55	532 13 38-40	Idler Arm Assembly			

NOTE: All component dimensions given in U.S. inches
1 inch = 25.4 mm