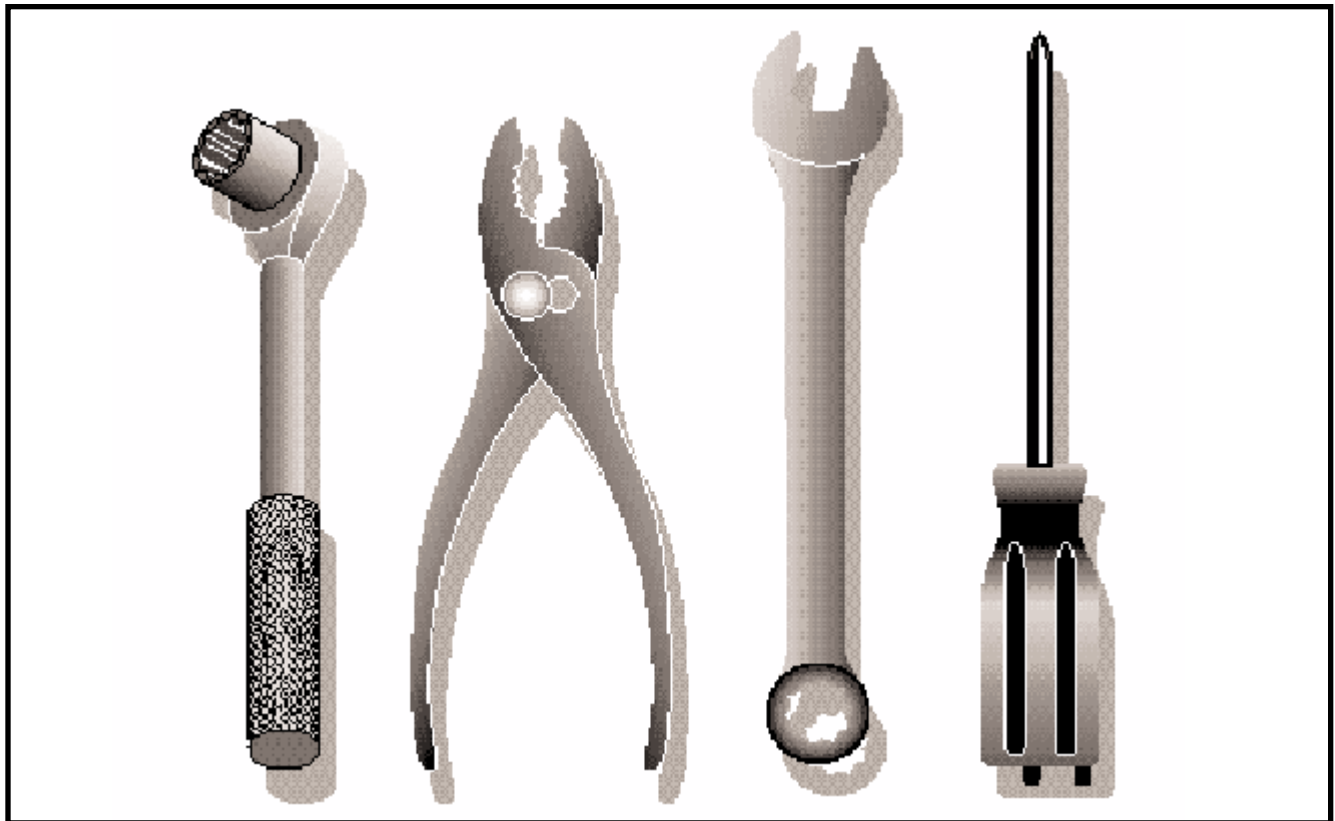




Illustrated Parts List	2001-10
	I0102031

6522 SH B

954222718

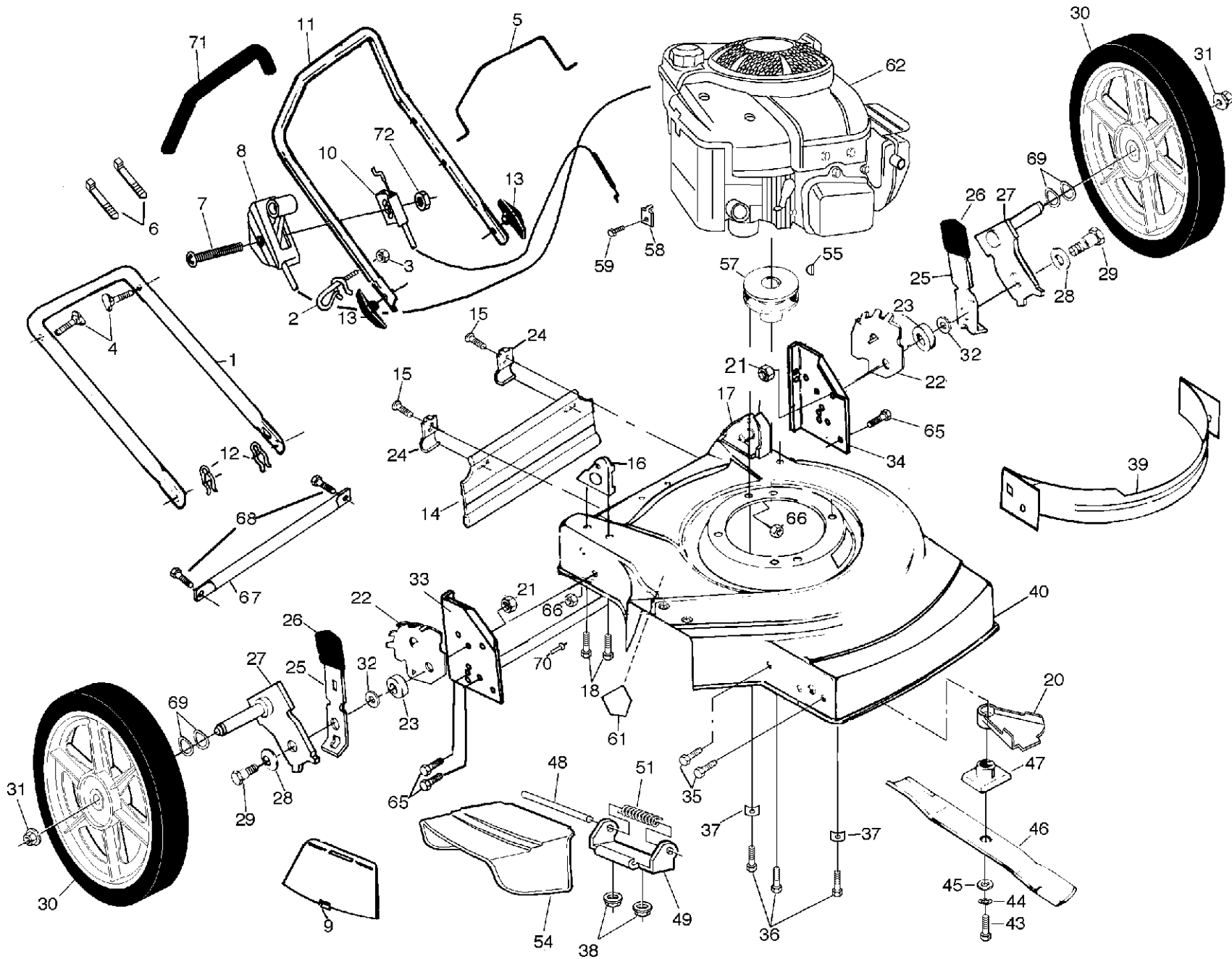


Repair Parts Manual

Walk Mower

REPAIR PARTS

ROTARY LAWN MOWER - - MODEL NUMBER 6522SH (6522SHB)



REPAIR PARTS

ROTARY LAWN MOWER - - MODEL NUMBER 6522SH (6522SHB)

KEY NO.	PART NO.	DESCRIPTION
1	532 15 36-05	Lower Handle
2	532 17 95-85	Rope Guide
3	532 06 36-01	Locknut 1/4-20
4	532 13 19-59	Handle Bolt
5	532 17 65-80	Control Bar
6	532 06 64-26	Wire Ties
7	532 14 49-29	Hex Washer Head Screw 1/4-20 x 2-1/8
8	532 16 69-71	Throttle Control
9	532 12 54-44	Mulcher Plate
10	532 13 08-61	Engine Zone Control Cable
11	532 17 80-67	Upper Handle
12	532 05 17-93	Hairpin Cotter
13	532 13 63-76	Handle Knobs
14	532 14 05-40	Rear Skirt
15	532 75 00-97	Hex Head Screw
16	532 17 09-75	Handle Bracket Assembly (Right)
17	532 17 09-77	Handle Bracket Assembly (Left)
18	532 14 97-41	Screw 5/16-18 x 3/4
20	532 13 46-12	Debris Shield
21	532 75 15-92	Locknut
22	532 15 50-47	Wheel Adjusting Bracket
23	532 14 66-30	Spacer
24	532 12 52-07	Skirt Bracket
25	532 14 17-30	Selector Spring
26	532 08 78-77	Selector Knob
27	532 16 22-33	Axle Arm Assembly
28	532 06 16-51	Belleville Washer
29	532 14 27-48	Shoulder Bolt 3/8-16
30	532 75 20-63	Wheel & Tire Assembly (Rear)
31	532 08 39-23	Flanged Locknut 3/8-16
32	532 08 83-48	Flat Washer
33	532 17 80-65	Wheel Support Bracket (RT)
34	532 17 80-66	Wheel Support Bracket (LT)
35	817 60 04-06	Screw
36	532 15 04-06	Thread Rolling Screw 3/8-16 x 1

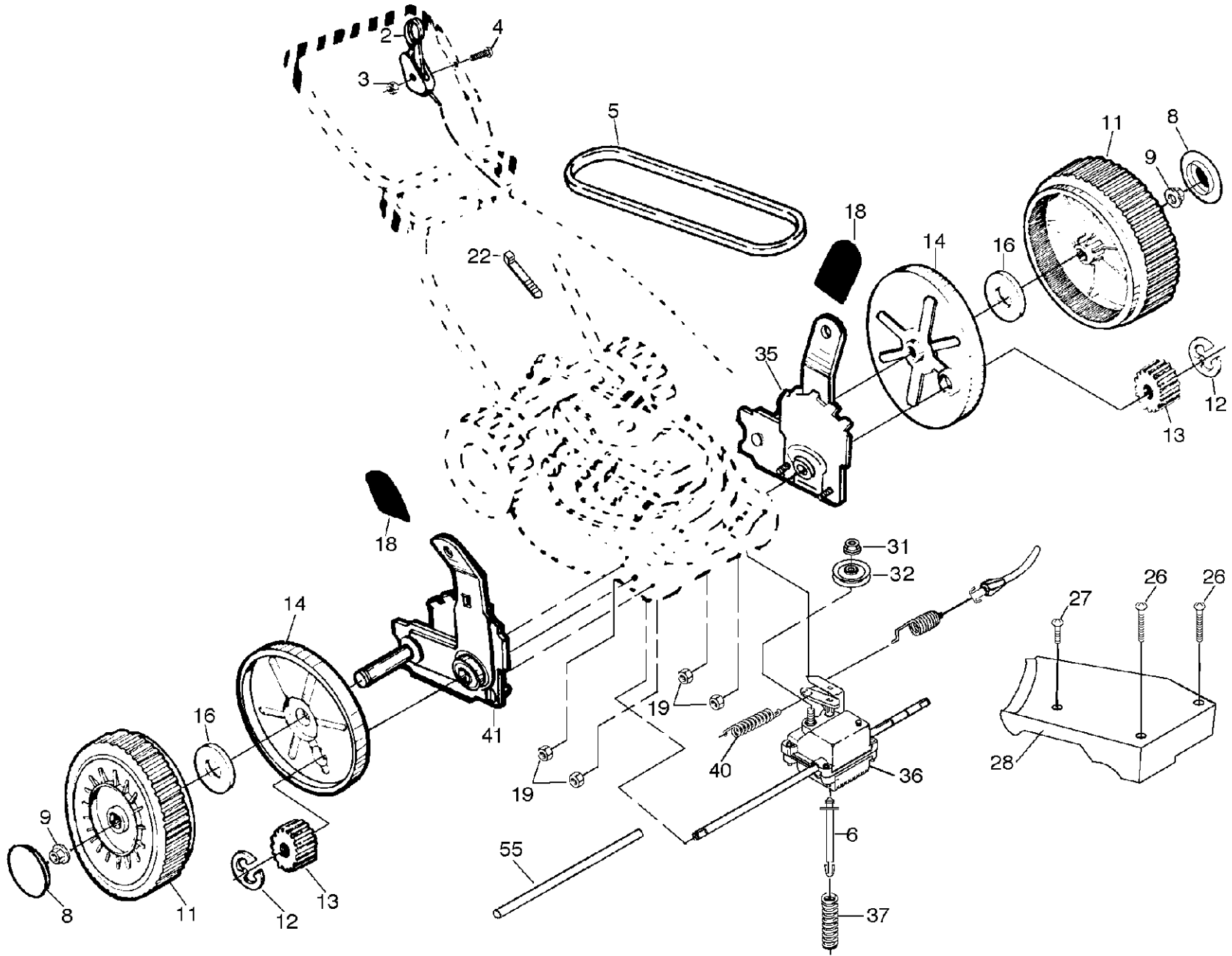
KEY NO.	PART NO.	DESCRIPTION
37	532 12 50-78	Engine Washer
38	532 06 36-01	Nut
39	532 17 00-31	Front Baffle Kit
40	532 17 66-05	Mower Housing Kit (Includes Key No. 61)
43	532 85 10-84	Hex Head Screw 3/8-24 x 1-3/8 Gr. 8
44	532 85 02-63	Helical Washer 3/8
45	532 85 10-74	Hardened Washer
46	532 14 11-14	22" Blade
47	532 85 15-14	Blade Adapter
48	532 14 72-86	Hinge Rod
49	532 08 75-93	Housing Bracket
51	532 08 75-89	Torsion Spring
54	532 85 07-78	Discharge Guard
55	532 08 76-77	Hi-Pro Key
57	532 08 45-96	Engine Pulley
58	532 21 31-46	* Cable Clamp
59	532 08 38-16	Screw #10 x 5/8
61	532 10 73-39	Danger Decal
62	- - -	* Engine, Briggs & Stratton, Model No. 120602
65	874 76 06-12	Bolt
66	532 75 15-92	Nut
67	532 17 71-41	Support Rod
68	532 05 45-83	Screw hex Tap. 1/4/20
69	532 05 71-43	Wave Washer
70	532 12 84-15	Pop Rivet
71	532 16 42-65	Foam Grip
72	532 13 20-04	Nut, Hex 1/4-20
--	532 16 23-00	Warning Decal (not shown)
--	532 12 53-81	Rear Baffle (not shown)
--	532 18 03-01	Owner's Manual (English/French)

NOTE: All component dimensions given in U.S. inches.
1 inch = 25.4 mm

* Order parts from engine manufacturer

REPAIR PARTS

ROTARY LAWN MOWER - - MODEL NUMBER 6522SH (6522SHB)



REPAIR PARTS

ROTARY LAWN MOWER - - MODEL NUMBER 6522SH (6522SHB)

KEY NO.	PART NO.	DESCRIPTION
2	532 14 57-55	Drive Control
3	532 75 11-52	Locknut #10-24
4	532 15 87-55	Hex Washer Head Screw 1/4-20 x 2.12
5	532 14 65-27	V-Belt
6	532 15 04-95	Spring Retainer
8	532 07 74-00	Hubcap
9	532 14 52-12	Flanged Locknut 3/8-16
11	532 08 85-58	Wheel & Tire Assembly
12	812 00 00-58	E-Ring
13	532 13 70-54	Pinion
14	532 08 80-80	Dust Cover
16	532 06 77-25	Washer 1/2 x 1-1/2 x .134
18	532 08 78-77	Selector Knob
19	532 06 36-01	Hex Locknut 1/4-20

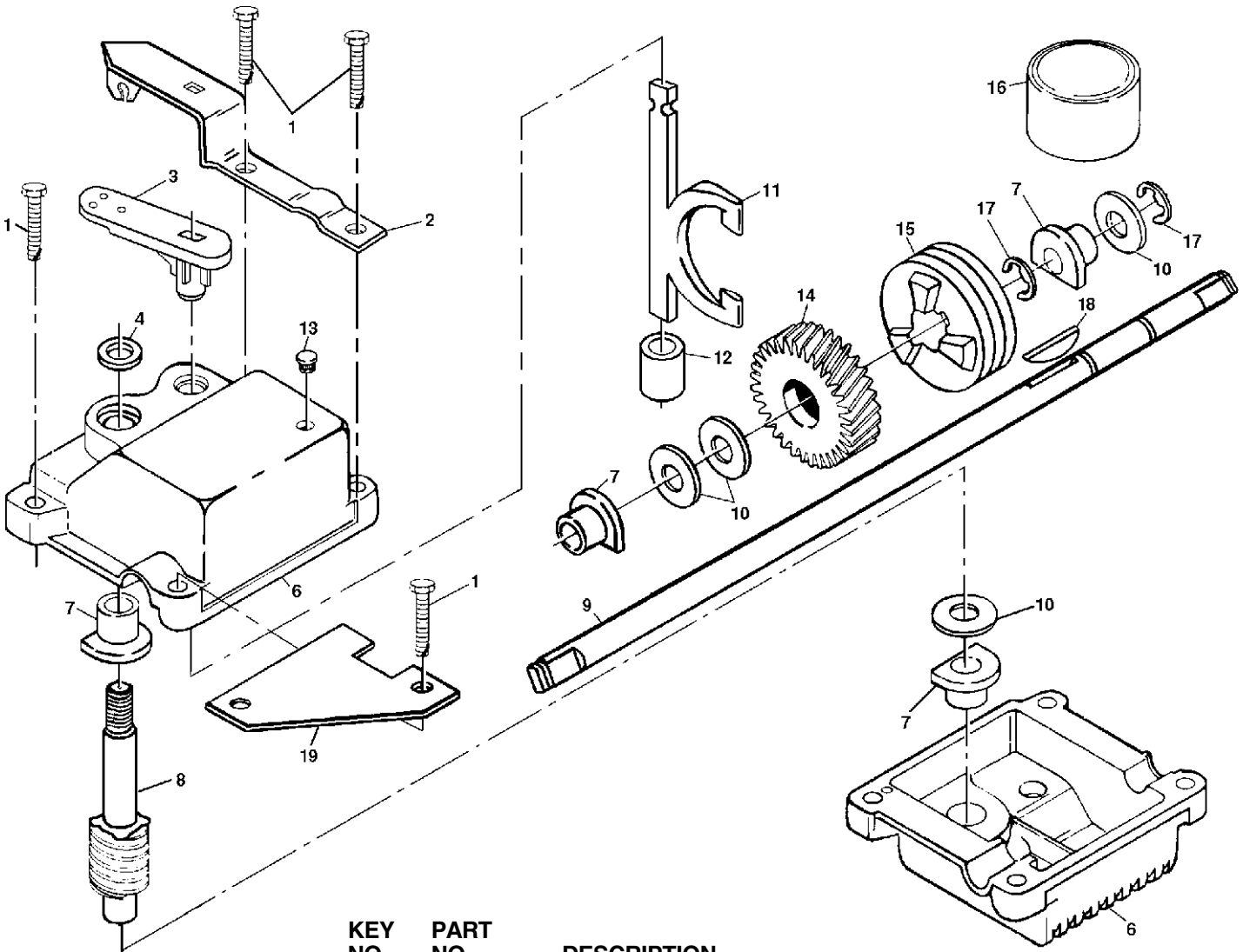
KEY NO.	PART NO.	DESCRIPTION
22	532 06 64-26	Wire Tie
26	532 14 60-72	Pan Head Tapping Screw #10-24 x 2-3/4
27	532 75 00-97	Hex Head Tapping Screw #10
28	532 70 04-22	Drive Cover
31	532 13 20-10	Hex Flange Nut
32	532 13 70-52	Drive Pulley
35	532 15 15-21	Wheel Adjuster Assembly (Left)
36	532 70 25-11	Gear Case Assembly
37	532 13 70-90	Spring
40	532 07 51-92	Spring
41	532 15 15-20	Wheel Adjuster Assembly (Right)
55	532 08 60-12	Driveshaft Cover

NOTE: All component dimensions given in U.S. inches.
1 inch = 25.4 mm

REPAIR PARTS

ROTARY LAWN MOWER - - MODEL NUMBER 6522SH (6522SHB)

GEAR CASE ASSEMBLY - PART NUMBER 532702511



KEY NO.	PART NO.	DESCRIPTION
1	817 4904-16	Tapping Screw 1/4-20 x 1-1/4
2	532 14 02-69	Engagement Bracket
3	532 13 70-53	Shifter
4	532 05 70-72	Seal
6	532 04 83-73	Gear Case Halves Kit (Includes Key Numbers 4 and 7)
7	532 07 78-81	Bearing
8	532 13 70-51	Worm Shaft
9	532 13 70-74	Drive Shaft
10	532 05 70-79	Hardened Washer
11	532 13 14-84	Clutch Yoke
12	532 70 03-43	Bushing
13	532 08 64-47	Plug
14	532 13 70-50	Helical Gear
15	532 75 04-36	Clutch Jaw
16	532 75 03-69	Grease
17	812 00 00-03	E-Ring
18	532 85 08-48	Hi-Pro Key
19	532 12 54-41	Spring Bracket

NOTE: All component dimensions given in U.S. inches.
1 inch = 25.4 mm