



| | |
|---------------------------|----------|
| Illustrated Parts List | 2001-04 |
| | I0102016 |

GTH 2250 B

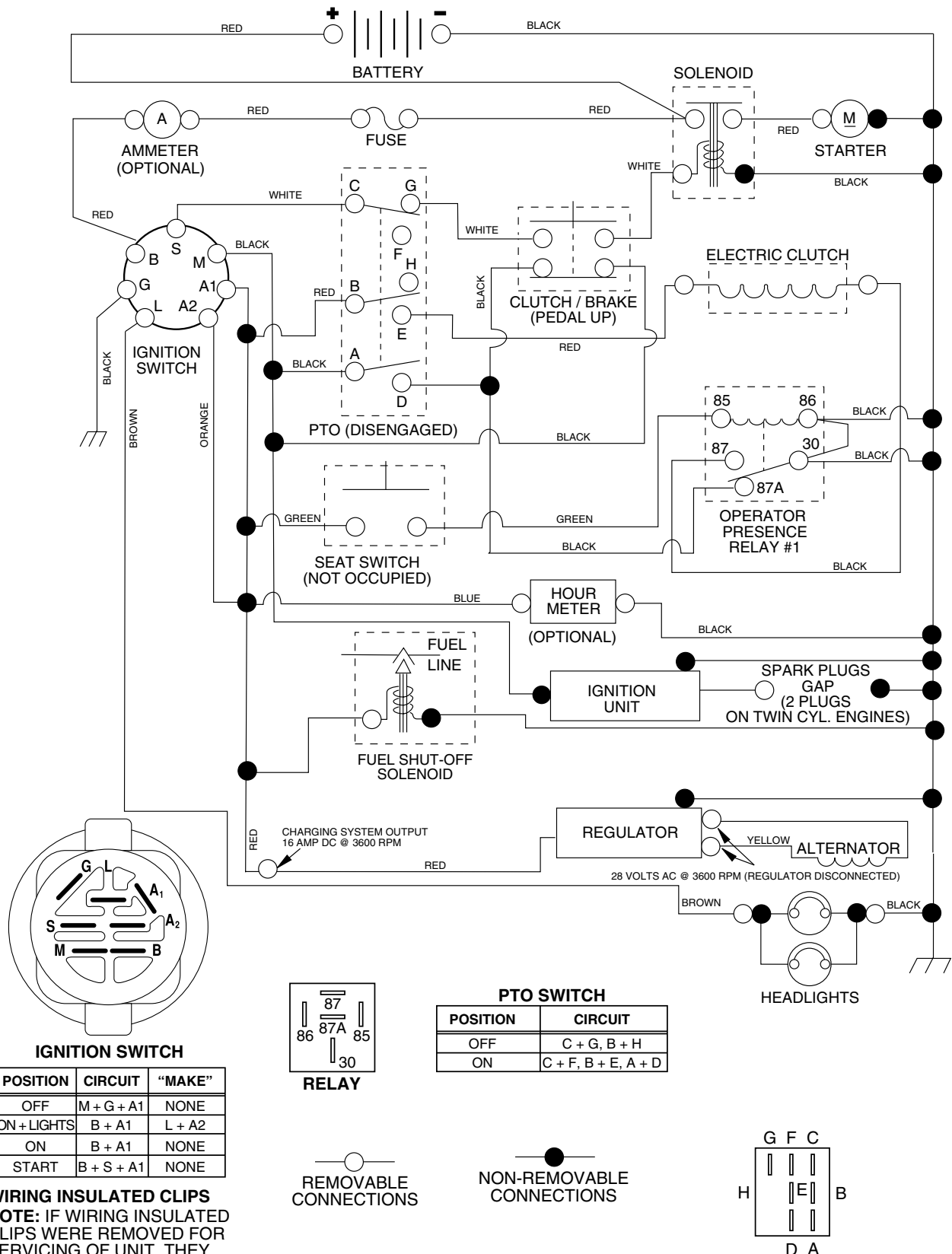
954567093



Repair Parts Manual

Ride Mower

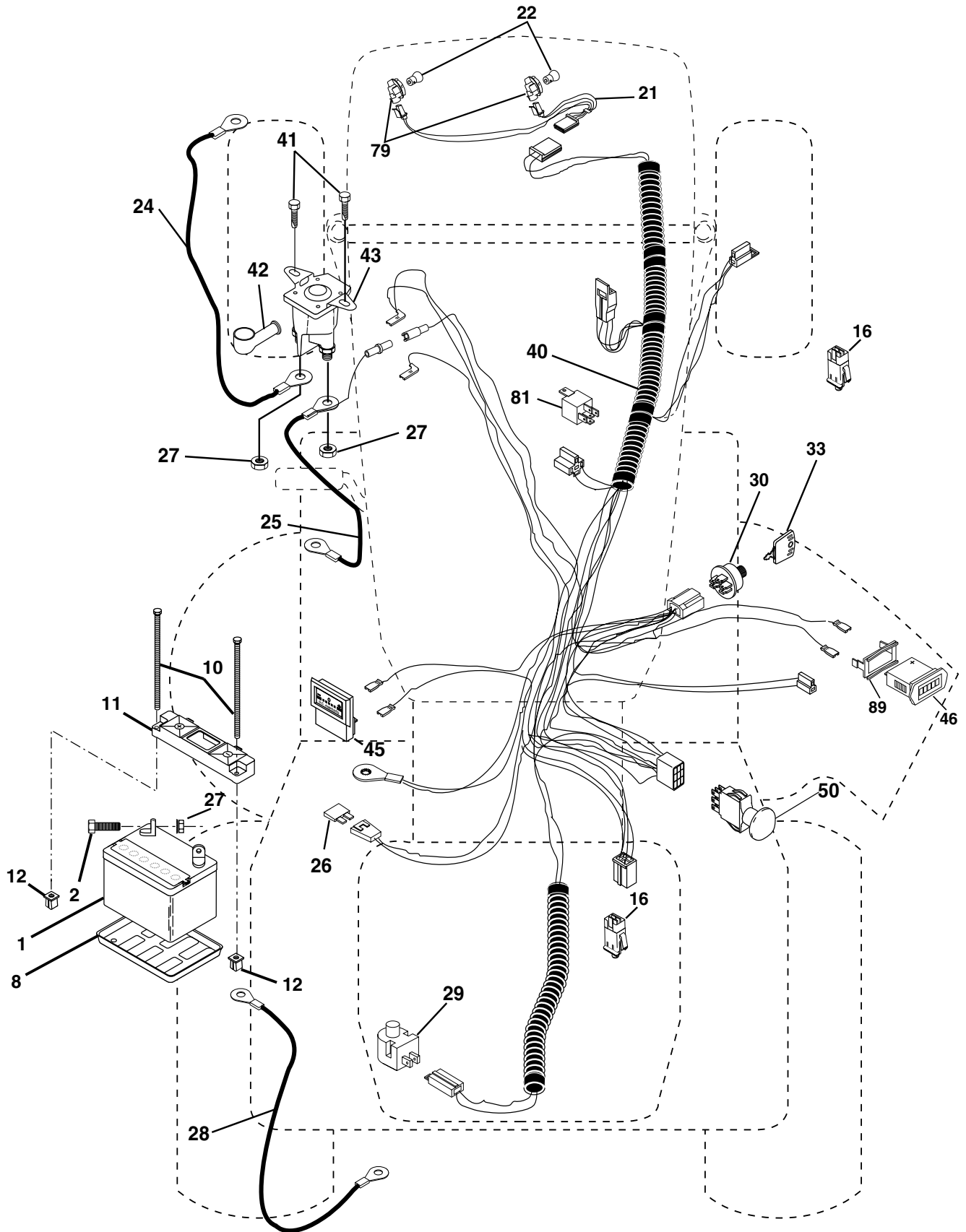
SCHEMATIC



REPAIR PARTS

TRACTOR - - MODEL NO. GTH2250B

ELECTRICAL



REPAIR PARTS

TRACTOR - - MODEL NO. GTH2250B

ELECTRICAL

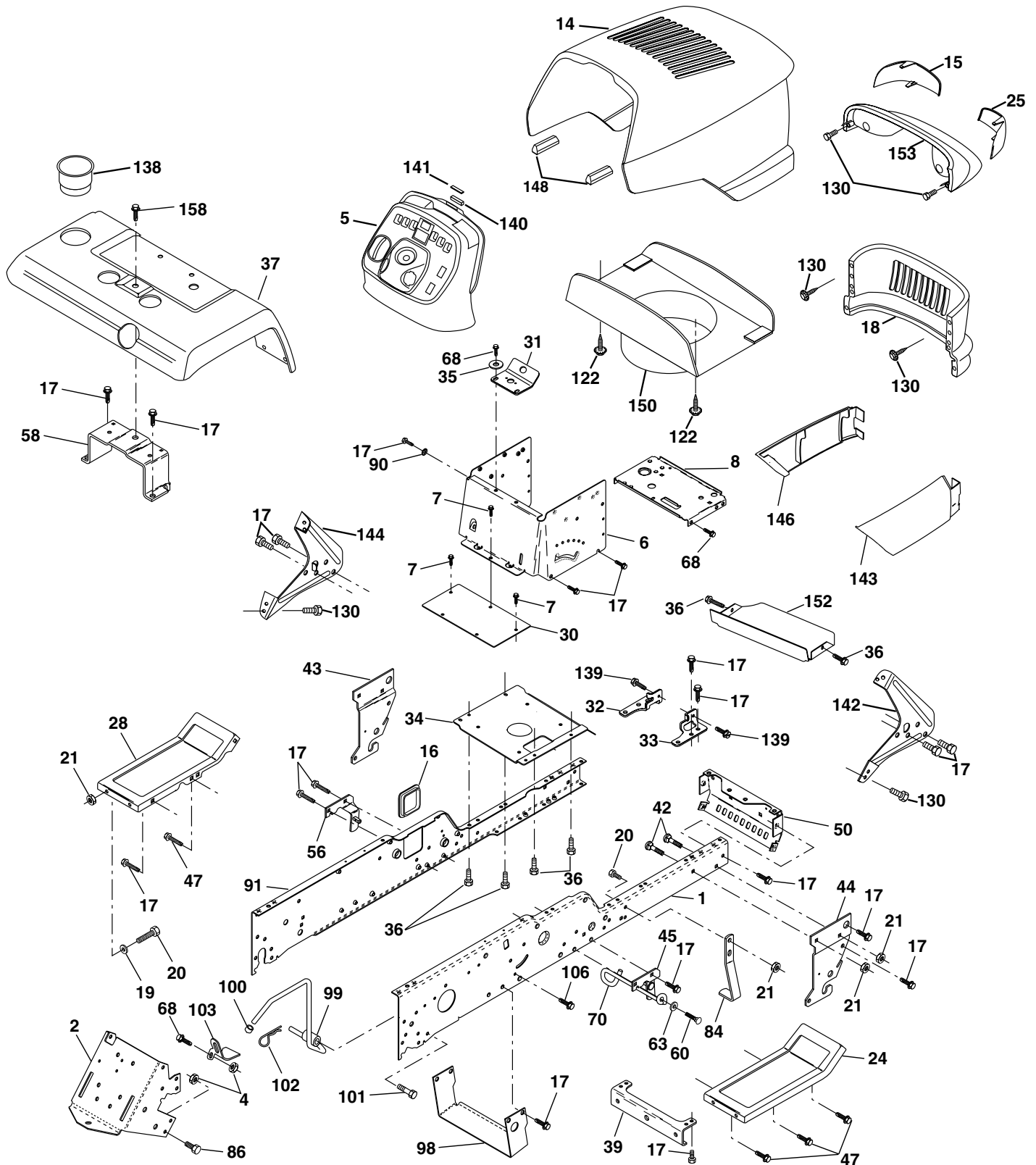
| KEY NO. | PART NO. | DESCRIPTION |
|---------|-----------|---------------------------------------|
| 1 | 532144926 | Battery |
| 2 | 874760412 | Bolt Hex Head 1/4-20 x 3/4 |
| 8 | 532124886 | Tray, Battery |
| 10 | 532145211 | Bolt, Battery Front 1/4-20 x 7.5 Zinc |
| 11 | 532150109 | Holddown Battery Front Mount |
| 12 | 532145769 | Nut, Push Nylon 1.4" Battery Front |
| 16 | 532153664 | Switch Interlock Push-In |
| 21 | 532166184 | Harness Socket Light w/4152J |
| 22 | 532004152 | Bulb Light |
| 24 | 532124770 | Cable, Battery |
| 25 | 532146149 | Cable, Battery |
| 26 | 532108824 | Fuse |
| 27 | 873510400 | Nut Keps Hex 1/4-20 |
| 28 | 532170697 | Cable, Ground |
| 29 | 532160784 | Switch, Plunger Normal Op Olive |
| 30 | 532175566 | Switch, Ign |
| 33 | 532140401 | Key |
| 40 | 532170238 | Harness Ign. |
| 41 | 817720408 | Screw 1/4-20 x 1/2 |
| 42 | 532131563 | Cover, Terminal Red |
| 43 | 532178861 | Solenoid |
| 45 | 532122822 | Ammeter |
| 46 | 532169635 | Hourmeter Snap-In |
| 50 | 532174651 | Switch, PTO |
| 79 | 532163996 | Bulbholder Asm |
| 81 | 532109748 | Relay Asm. |
| 89 | 532169639 | Bracket Snap-In Hourmeter |

NOTE: All component dimensions given in U.S. inches
1 inch = 25.4 mm

REPAIR PARTS

TRACTOR - - MODEL NO. GTH250B

CHASSIS AND ENCLOSURES



REPAIR PARTS

TRACTOR - - MODEL NO. GTH2250B

CHASSIS AND ENCLOSURES

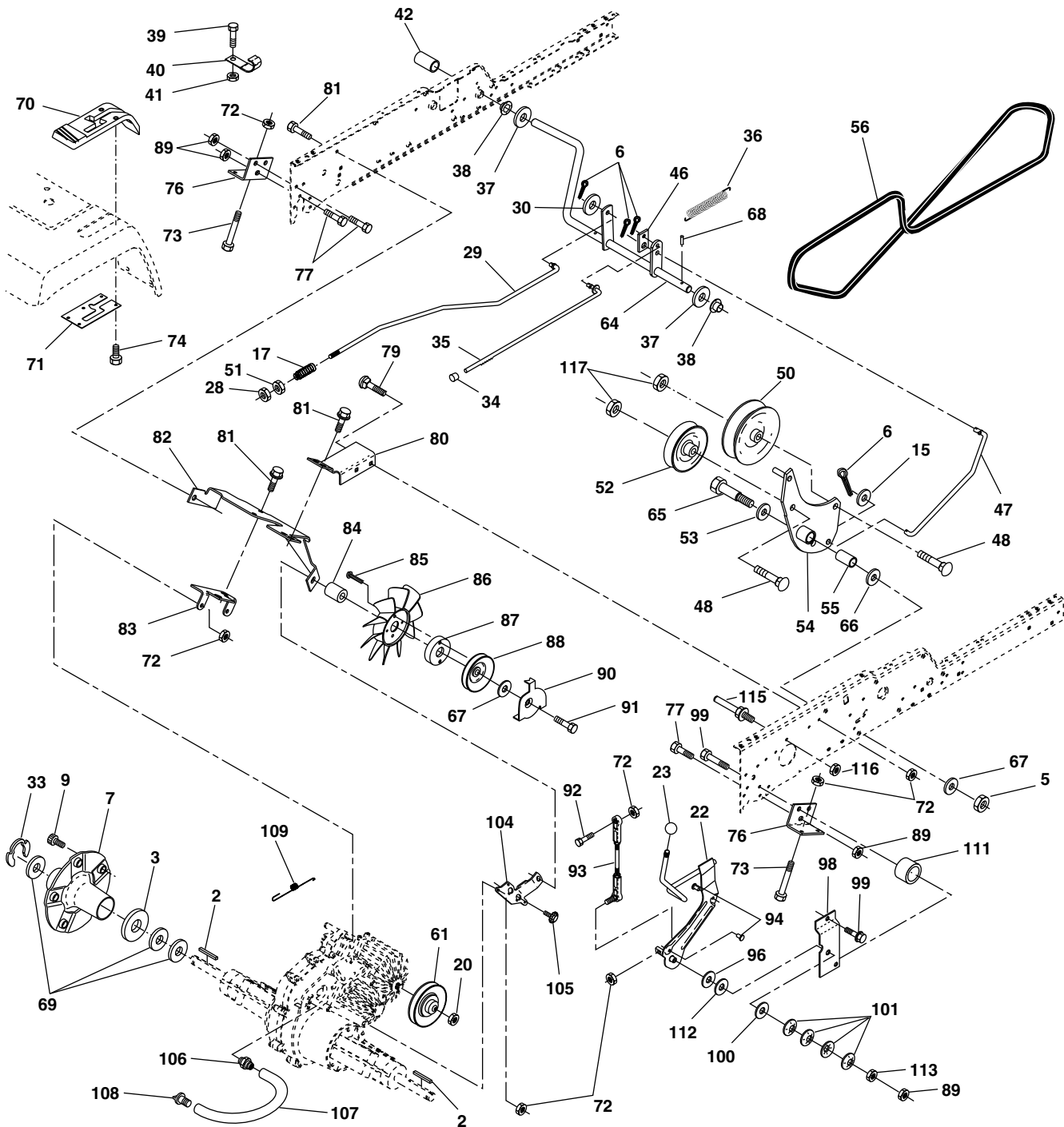
| KEY NO. | PART NO. | DESCRIPTION | KEY NO. | PART NO. | DESCRIPTION |
|---------|-----------|--------------------------------|---------|-----------|---------------------------------|
| 1 | 532175465 | Rail, Frame RH | 58 | 532175315 | Bracket Asm., Fender |
| 2 | 532175282 | Drawbar, Gt | 60 | 817060620 | Screw 3/8-16 x 1-1/4 |
| 4 | 873800700 | Nut, Lock Hex 7/16 Unc | 63 | 819131614 | Washer 13/32 x 1 x 14 Ga. |
| 5 | 532177582 | Dash, Plastic | 68 | 817490508 | Screw, 5/16-18 x 1/2 |
| 6 | 532157882 | Dash, 1PCS, Lower | 70 | 532177679 | Belt Keeper VGT Ground |
| 7 | 817720408 | Screw, Thd Cut 1/4-20 x 1/2 | 84 | 532142992 | Stop, Over Center Mower |
| 8 | 532145166 | Support, Battery | 86 | 874760716 | Bolt, Fin Hex 7/16-14 Unc x 1 |
| 14 | 532177583 | Hood Asm., Pnt | 90 | 811050600 | Washer, Lock External Tooth 3/8 |
| 15 | 532161841 | Lens LH | 91 | 532175464 | Rail, Frame Lh |
| 16 | 532121794 | Cover, Access | 98 | 532175847 | Bracket Chassis Skid |
| 17 | 817060612 | Screw, 3/8-16 x 3/4 | 99 | 532140871 | Rod Asm. Bypass |
| 18 | 532177584 | Grille | 100 | 532071673 | Cap By Pass Rod |
| 19 | 819131312 | Washer 13/32 x 13/16 x 12 Ga. | 101 | 817490628 | Screw Thdrol. 3/8-16 x 1-3/4 |
| 20 | 874760616 | Bolt, Fin Hex 3/8-16 x 1 | 102 | 532124788 | Retainer Spring 1" |
| 21 | 873680600 | Nut, Crownlock 3/8-16 | 103 | 532142273 | Bracket Lock Bypass |
| 24 | 532147202 | Footrest, RH | 106 | 532138776 | Screw Thdrol Hex Head Zinc |
| 25 | 532161842 | Lens RH | 122 | 532161464 | Screw Hex WSHD 8-18 x 7/8 |
| 28 | 532147203 | Footrest, LH | 130 | 532164863 | Screw Hw Hd Hi-Lo #13-16 x 3/4 |
| 30 | 532145052 | Saddle | 138 | 532166625 | Cupholder |
| 31 | 532161419 | Bracket Supt 1-pc Vgt Steering | 139 | 532171873 | Bolt Shoulder 5/16-18 |
| 32 | 532161327 | Bracket, Frame Pivot Lh | 140 | 532163806 | Magnet Stealth |
| 33 | 532161326 | Bracket, Frame Pivot Rh | 141 | 532163805 | Striker Plate |
| 34 | 532177018 | Plate Asm Engine Chassis | 142 | 532161897 | Bracket Dash Stealth RH |
| 35 | 819111116 | Washer 11/32 x 11/16 x 16 Ga. | 143 | 532177586 | Skirt Grille RH |
| 36 | 817060512 | Screw 5/16-18 x 3/4 | 144 | 532161900 | Bracket Dash Stealth LH |
| 37 | 532169426 | Fender, Pnt. | 146 | 532177587 | Skirt Grille LH |
| 39 | 532175278 | Bracket, Axle Front | 148 | 532164655 | Extrusion Bumper |
| 42 | 872140608 | Bolt Rdhd Sqnk 3/8-16 Unc x 1 | 150 | 532161237 | Duct Heat Hood |
| 43 | 532136939 | Bracket, Spnsn Front Lh | 152 | 532177956 | Browning Shield |
| 44 | 532136940 | Bracket, Spnsn Front Rh | 153 | 532177585 | Lens Asm Headlht Dual |
| 45 | 532154913 | Bracket Asm., Susp Chassis Rh | 158 | 817670608 | Screw Thdrol 3/8-16 x 1/2 |
| 47 | 817490608 | Screw Thdrol 3/8-16 x 1/2 | | | |
| 50 | 532175476 | Bracket, Chassis Front | | | |
| 56 | 532154914 | Bracket Asm., Susp Chassis Lh | | | |

NOTE: All component dimensions given in U.S. inches
1 inch = 25.4 mm

REPAIR PARTS

TRACTOR - - MODEL NO. GTH2250B

GROUND DRIVE



REPAIR PARTS

TRACTOR - - MODEL NO. GTH2250B

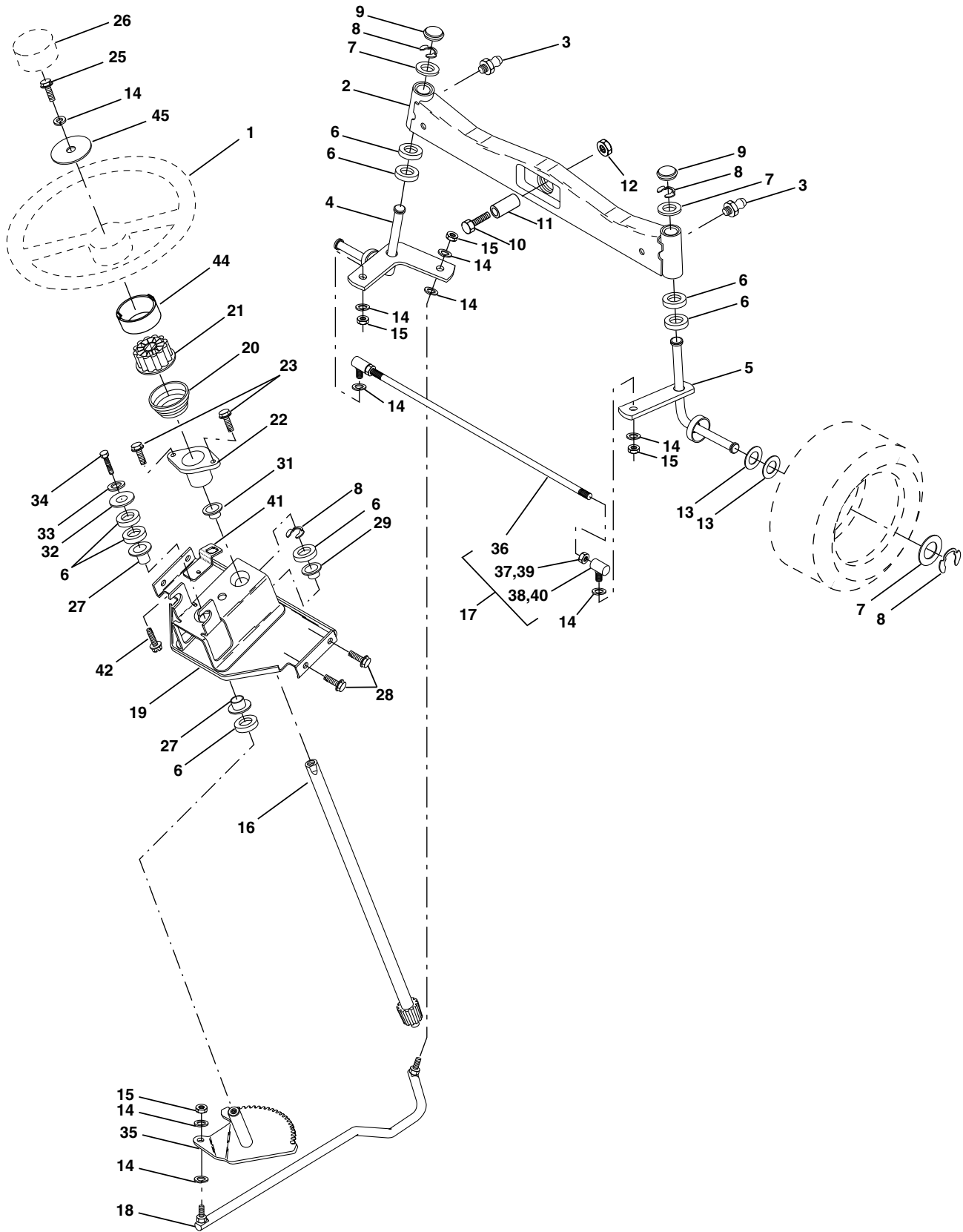
GROUND DRIVE

| KEY NO. | PART NO. | DESCRIPTION | KEY NO. | PART NO. | DESCRIPTION |
|---------|-----------|---|---------|------------------|----------------------------------|
| | ----- | Transaxle, Hydro 222-3010 (Order Parts From Transaxle Manufacturer) | 69 | 532123800 | Washer |
| 2 | 532007070 | Key 1/4 x 2.5 | 70 | 532166624 | Console Hydro Fender |
| 3 | 532007563 | Washer Thrust Axle Harden | 71 | 532151179 | Plate Console Shift |
| 5 | 873680600 | Nut Crownlock 3/8-16 | 72 | 873800500 | Locknut Hex W/Washer Insert |
| 6 | 876020412 | Pin Cotter 1/8 x 3/4 | 73 | 874490548 | Bolt Hex Flghd 5/16-18 x 3 Gr. 5 |
| 7 | 532140507 | Wheel Hub Asm. | 74 | 532142432 | Screw, Hex Wsh Hi-Lo 1/4-1/2 |
| 9 | 532140080 | Bolt Hub | 76 | 532140481 | Bracket Transaxle |
| 15 | 819131316 | Washer 13/32 x 13/16 x 16 Ga. | 77 | 874760716 | Bolt Fin Hex 7/16-14 x 1 |
| 17 | 532140921 | Spring Rod Brake | 79 | 872110505 | Bolt Carriage 5/16-18 x 5/8 |
| 20 | 873940800 | Nut Hex Jam Toplock 1/2-20 | 80 | 532140484 | Bracket Torque RH |
| 22 | 532156103 | Shaft Arm Asm | 81 | 817060612 | Screw 3/8-16 x 3/4 |
| 23 | 532140845 | Knob | 82 | 532150586 | Bracket Mount Torque/Fan |
| 28 | 873350600 | Nut, Hex Jam 3/8-16 | 83 | 532140479 | Strap Torque Mid |
| 29 | 532140494 | Brake Rod | 84 | 532140490 | Spacer |
| 30 | 819131616 | Washer 13/32 x 1 x 14Ga | 85 | 817541020 | Screw #10-24 x 1-1/4 |
| 33 | 812000053 | Ring E | 86 | 532140462 | Fan 7" Hydro |
| 34 | 532071673 | Cap Plunger | 87 | 532140491 | Adapter Fan |
| 35 | 532137648 | Rod Parking Brake | 88 | 532161592 | Pully Idler V-Groove Flange |
| 36 | 532149412 | Spring Extension | 89 | 873680700 | Nut, Crownlock 7/16-14 |
| 37 | 532121749 | Washer 25/32 x 1-1/4 x 16 Ga. | 90 | 532140489 | Keeper Belt |
| 38 | 532150035 | Nyliner | 91 | 817490644 | Screw Thdrol 3/8-16 x 2-3/4 |
| 39 | 874321016 | Screw Fin #10-24 x 1 | 92 | 874760520 | Bolt Fin Hex 5/16-18 x 1.75 |
| 40 | 532178575 | Actuator Interlock Switch | 93 | 532140502 | Link Shift Asm |
| 41 | 873931000 | Nut Toplock #10-24 Unc | 94 | 532133835 | Fastner Christmas Tree |
| 42 | 532124872 | Cover Pedal | 96 | 532141103 | Washer Nickel Plated |
| 46 | 532145170 | Retainer Spring | 98 | 532141004 | Bracket Shift |
| 47 | 532138228 | Clutch Rod | 99 | 817060624 | Screw 3/8-16 x 1-1/2 |
| 48 | 872110612 | Bolt Carriage 3/8-16 x 1-1/2 Gr. 5 | 100 | 532126881 | Washer Compression |
| 50 | 532131494 | Pulley Idler Flat | 101 | 532156106 | Washer Bellville |
| 51 | 873680600 | Nut, Crownlock 3/8-16 | 104 | 532140480 | Bracket Idler |
| 52 | 532139123 | Pulley Idler Grooved | 105 | 817580408 | Screw Tap 1/4-20 x 1/2 |
| 53 | 532000207 | Washer Hardened | 106 | 532142918 | O-Ring Asm Hydro Gear |
| 54 | 532161590 | Arm Asm Idler Clutch 98 | 107 | 532154739 | Line Fuel Hydro 15" VGT Serv |
| 55 | 532105706 | Bearing, Idler | 108 | 532142917 | Cap Asm Vent Hydro Gear |
| 56 | 532140218 | V-Belt | 109 | 532140929 | Spring Return Brake |
| 61 | 532140488 | Pulley Transaxle | 111 | 532156240 | Spacer Shift Lever VGTH |
| 64 | 532154752 | Shaft Asm Brake Parking Clutch | 112 | 532156104 | Washer Nylon High Temp |
| 65 | 532067609 | Bolt Shoulder | 113 | 873220700 | Nut Hex ASF 7/16-14 Unc |
| 67 | 819131312 | Washer 13/32 x 13/16 x 12 Ga | 115 | 532123405 | Keeper Belt T/A GND DR LR |
| 68 | 532005142 | Pin Roll | 116 | 873900500 | Nut Lock Hex Flange 5/16-18 |
| | | | 117 | 873900600 | Nut Lock Flg. 3/8-16 Unc |

NOTE: All component dimensions given in U.S. inches
1 inch = 25.4 mm

TRACTOR - - MODEL NO. GTH2250B

STEERING ASSEMBLY



REPAIR PARTS

TRACTOR - - MODEL NO. GTH2250B

STEERING ASSEMBLY

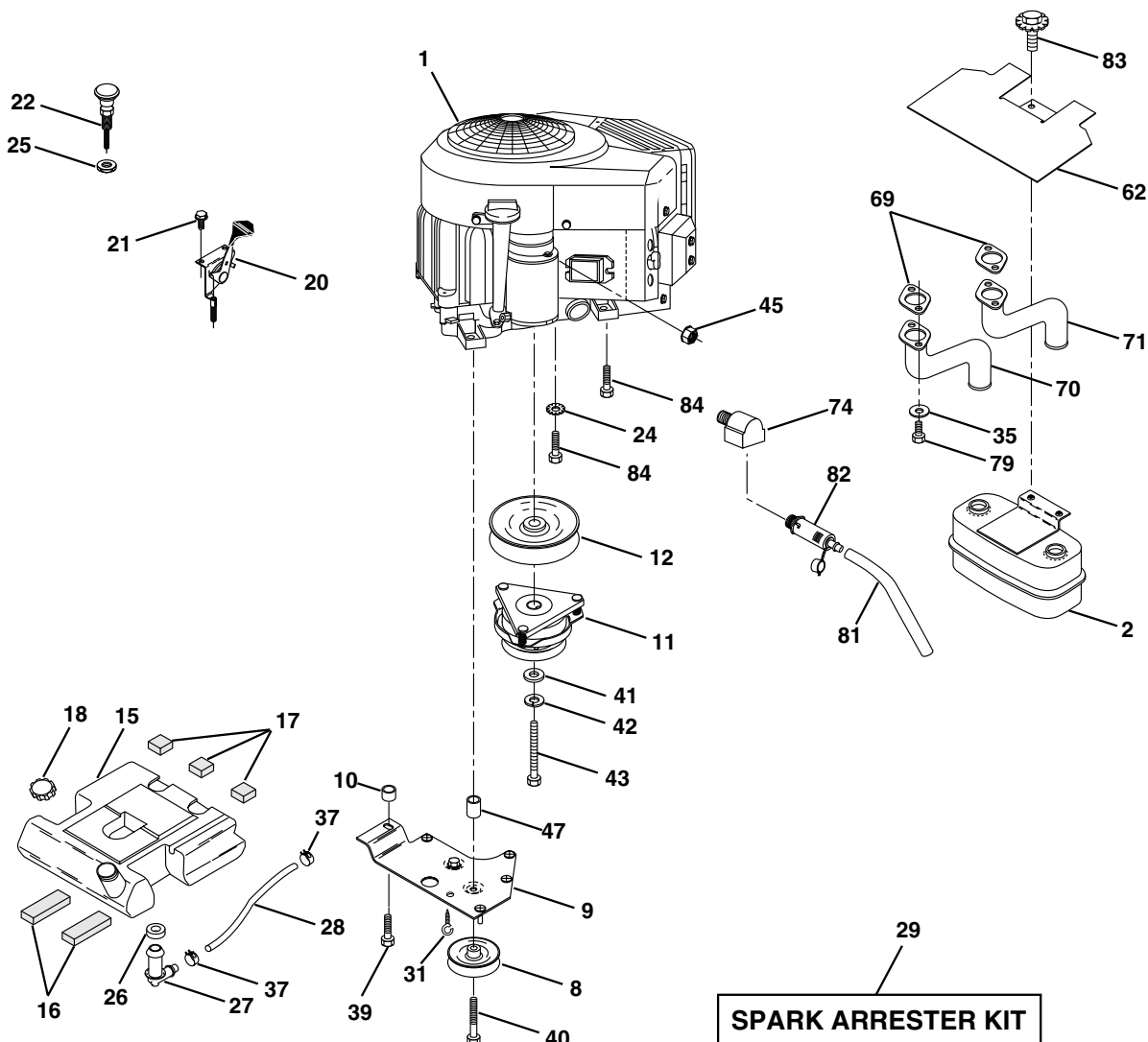
| KEY NO. | PART NO. | DESCRIPTION |
|---------|------------------|--|
| 1 | 532166627 | Wheel, Steering |
| 2 | 532178557 | Axle Asm., Front |
| 3 | 532124836 | Fitting, Grease |
| 4 | 532161849 | Spindle Asm, LH |
| 5 | 532161848 | Spindle Asm., RH |
| 6 | 532124931 | Bearing, Race Thrust Harden |
| 7 | 532121748 | Washer 25/32 x 1-5/8 x 16 Ga. |
| 8 | 812000029 | Ring, Klip #T5304-75 |
| 9 | 532121232 | Cap, Spindle |
| 10 | 874781044 | Bolt, Fin Hex 5/8-11 x 2-3/4 |
| 11 | 532136518 | Spacer Brg Axle Front 1.570 |
| 12 | 873901000 | Nut, Lock Flange 5/8-11 Unc |
| 13 | 532121749 | Washer 25/32 x 1-1/4 x 16 Ga. |
| 14 | 810040600 | Washer, Lock Hvy Hlcl Spr 3/8 |
| 15 | 532124701 | Nut Lock Center 3/8-24 Unf |
| 16 | 532145103 | Shaft Asm., Steering |
| 17 | 532137347 | Rod Asm., Tie Ball J Ball Vgt (Inc. Key No. 36-40) |
| 18 | 532175572 | Draglink, Ball Joint Solid Vgt |
| 19 | 532156011 | Support Asm., Steering Vgt |
| 20 | 532177592 | Boot Steering |
| 21 | 532159945 | Adapter, Wheel Steering |
| 22 | 532155105 | Bushing, Strg. |
| 23 | 532152927 | Screw |
| 25 | 874780616 | Bolt, Fin Hex 3/8-16 x 1 Gr. 5 |
| 26 | 532166626 | Cap, Wheel Steering |
| 27 | 532124937 | Bearing, Col. Strg. |
| 28 | 817000612 | Screw 3/8-16 x 3/4 |
| 29 | 532104239 | Bearing, Flange |
| 31 | 532138136 | Bushing, Nyliner Snap |
| 32 | 819111610 | Washer 11/32 x 1 x 10 Ga. |
| 33 | 810040500 | Washer, Lock Hvy Hlcl Spr 5/16 |
| 34 | 874780512 | Bolt, Hex Hd 5/16-18 x 3/4 |
| 35 | 532138059 | Gear, Sector Steering |
| 36 | 532137156 | Tie Rod |
| 37 | 873360600 | Jam Nut RH Thread |
| 38 | 532109850 | Joint Asm. Ball RH Thread |
| 39 | 873700600 | Nut Hex Jam 3/8-24 Unf LF |
| 40 | 532109851 | Joint Asm Ball LH Service |
| 41 | 532155246 | Bracket Switch Inerlock VGT97 |
| 42 | 817490508 | Screw 5/16-18 x 1/2 |
| 44 | 532177593 | Extension Steering Premium |
| 45 | 819132411 | Washer 13/32 x 1-1/2 x 11 Ga. |

NOTE: All component dimensions given in U.S. inches
1 inch = 25.4 mm

REPAIR PARTS

TRACTOR - - MODEL NO. GTH2250B

ENGINE



| KEY NO. | PART NO. | DESCRIPTION |
|---------|------------------|--|
| 1 | ----- | Engine Briggs, Model No. 407777 (Order parts from engine manuf.) |
| 2 | 532149723 | Muffler Side |
| 8 | 532121361 | Pulley V-Idler |
| 9 | 532177748 | Keeper Asm. Belt Engine VGT |
| 10 | 532175287 | Bushing |
| 11 | 532170056 | Clutch Electric |
| 12 | 532143996 | Pulley Engine VGT Elect Clutch |
| 15 | 532151346 | Tank Fuel Rear 3.50 |
| 16 | 532109227 | Pad Spacer |
| 17 | 532106082 | Pad Spacer |
| 18 | 532161493 | Cap Fuel |
| 20 | 532178385 | Control Throttle |
| 21 | 532164863 | Screw Hex Thd Cut 1/4 - 20 X 5/8 |
| 22 | 532178639 | Control Choke |
| 24 | 811050600 | Washer Ext Tooth 3/8 |
| 25 | 873920600 | Nut Keps 3/8-24 Unf |
| 26 | 532003645 | Bushing |
| 27 | 532139277 | Stem Tank Fuel |
| 28 | 532007834 | Fuel Line |
| 29 | 532137180 | Spark Arrester Kit |

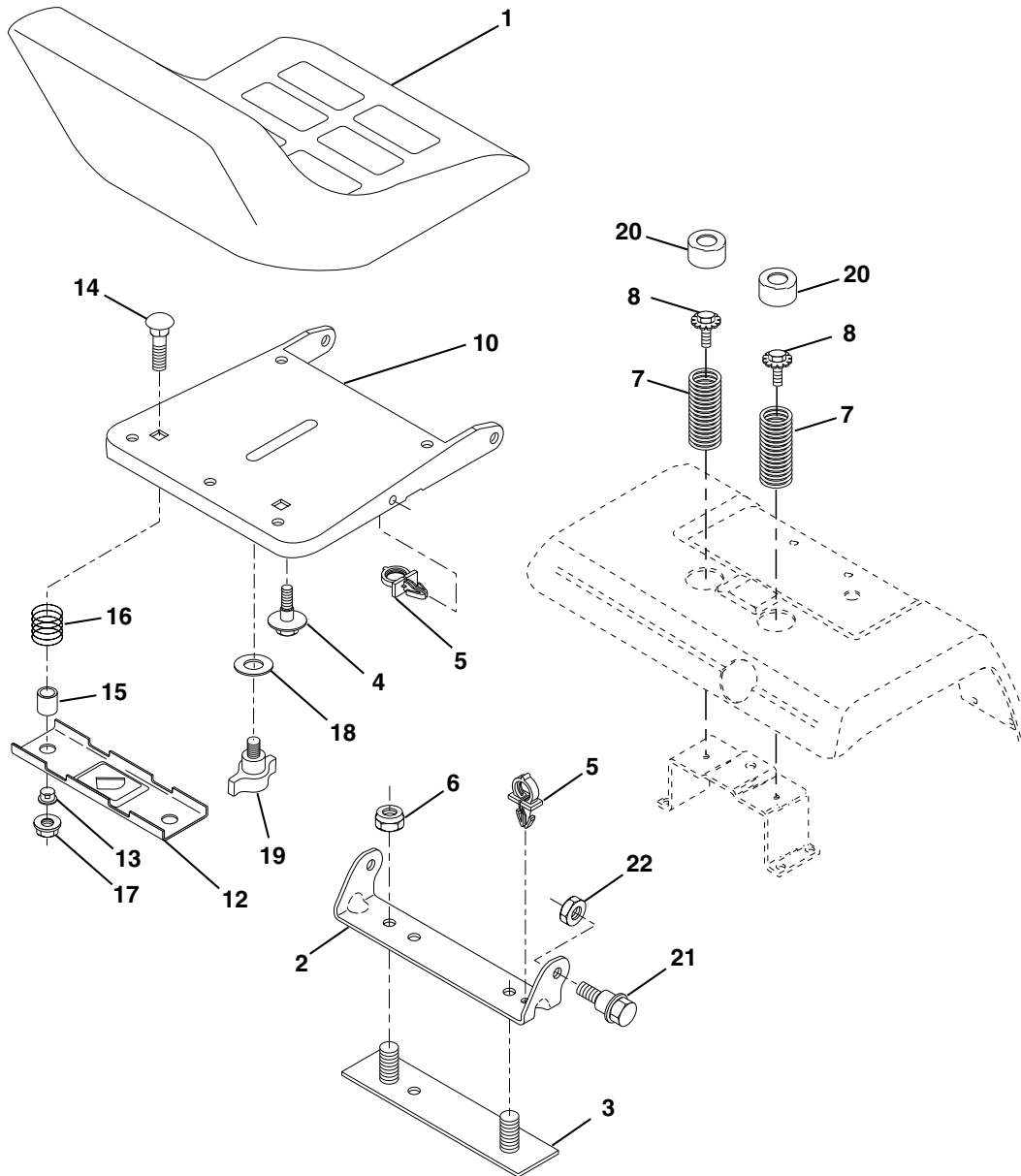
| KEY NO. | PART NO. | DESCRIPTION |
|---------|-----------|-----------------------------------|
| 31 | 532145006 | Clip |
| 35 | 810040500 | Washer |
| 37 | 532123487 | Clamp Hose |
| 39 | 817490636 | Screw TT 3/8-16 x 2-1/4 UNC |
| 40 | 817490664 | Screw TT 3/8-16 x 4 UNC |
| 41 | 532126197 | Washer 1-1/2 OD X 15/32 ID X .250 |
| 42 | 810040700 | Washer Lock 7/16 |
| 43 | 532173937 | Bolt Hex 7/16-20 X 4-1/4 Ga 5 |
| 45 | 873510400 | Nut Keps Hex 1/4-20 |
| 47 | 532175288 | Bushing |
| 62 | 532146629 | Shield Heat Muffler CV-Intek |
| 69 | 532165391 | Gasket |
| 70 | 532176069 | Tube Exhaust LH |
| 71 | 532176070 | Tube Exhaust RH |
| 74 | 532162295 | Elbow Street Brass |
| 79 | 871070512 | Screw Hex Hd Cap 5/16-18 x 3/4 |
| 81 | 532148456 | Tube Drain Oil Easy |
| 82 | 532148315 | Plug Oil Drain Easy |
| 83 | 532171877 | Bolt 5/16-18unc X 1-3/4 W/Sems |
| 84 | 817060624 | Screw Thdrol 3/8-16 x 1-1/2 |

NOTE: All component dimensions given in U.S. inches
1 inch = 25.4 mm

REPAIR PARTS

TRACTOR - - MODEL NO. GTH2250B

SEAT ASSEMBLY



| KEY NO. | PART NO. | DESCRIPTION |
|---------|-----------|------------------------------|
| 1 | 532140840 | Seat |
| 2 | 532140551 | Bracket, Pivot Seat |
| 3 | 532140675 | Strap, Fender |
| 4 | 532127018 | Bolt, Shoulder 5/16-18 X .62 |
| 5 | 532145006 | Clip, Push In Hinged |
| 6 | 873800600 | Nut, Crownlock 3/8-16 |
| 7 | 532124181 | Spring, Seat Cprsn |
| 8 | 532171877 | Bolt 5/16-18 UNC X 3/4 |
| 10 | 532174894 | Pan, Seat |
| 12 | 532121246 | Bracket, Mounting Switch |
| 13 | 532121248 | Bushing, Snap |

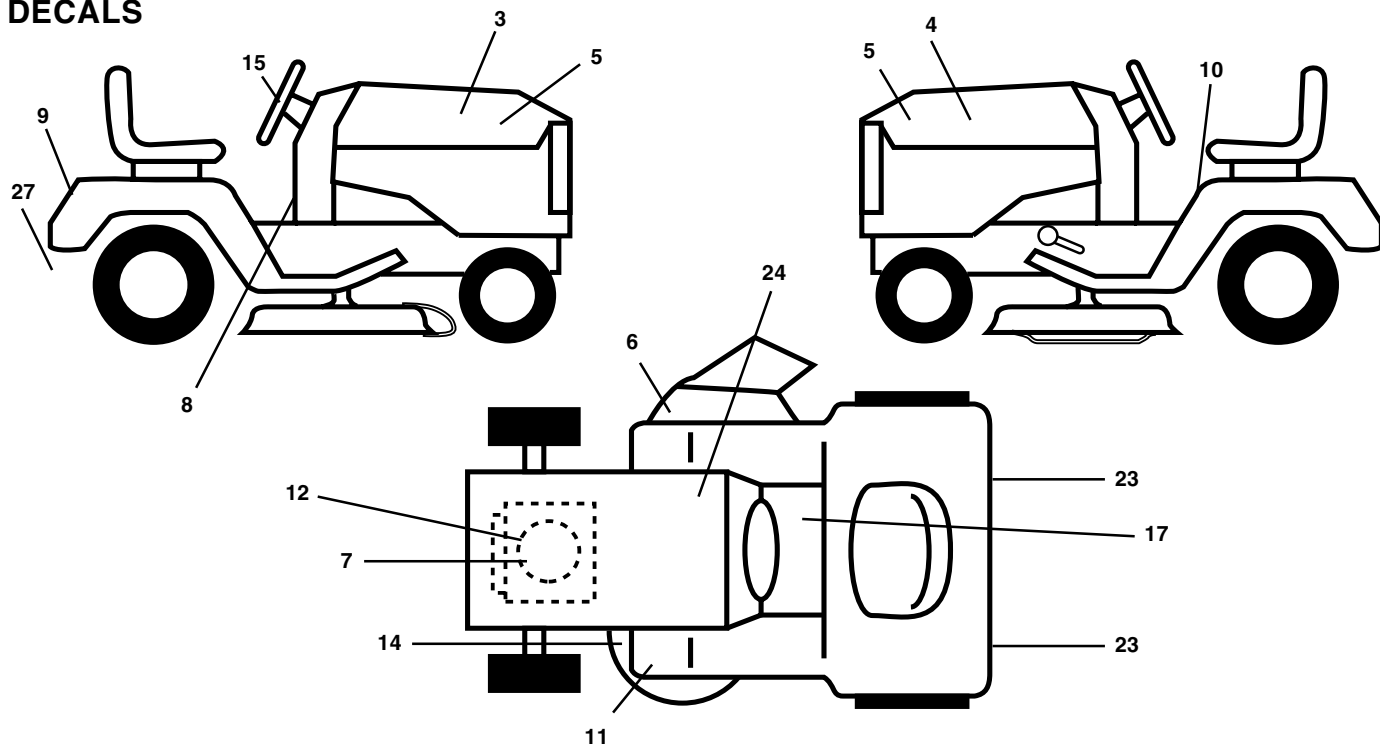
| KEY NO. | PART NO. | DESCRIPTION |
|---------|-----------|--------------------------------|
| 14 | 872050412 | Bolt, Carriage 1/4-20 X 1-1/2 |
| 15 | 532121249 | Spacer, Split |
| 16 | 532123740 | Spring, Cprsn |
| 17 | 532123976 | Nut, Lock 1/4 Lge Flg Gr. 5 |
| 18 | 819171912 | Washer 17/32 X 1-3/16 X 12 Ga. |
| 19 | 532166369 | Knob, Seat |
| 20 | 532124238 | Cap, Spring Seat |
| 21 | 532171852 | Bolt, Shoulder 5/16-18 |
| 22 | 873800500 | Nut, Crownlock 5/16-18 |

NOTE: All component dimensions given in U.S. inches
1 inch = 25.4 mm

REPAIR PARTS

TRACTOR - - MODEL NO. GTH2250B

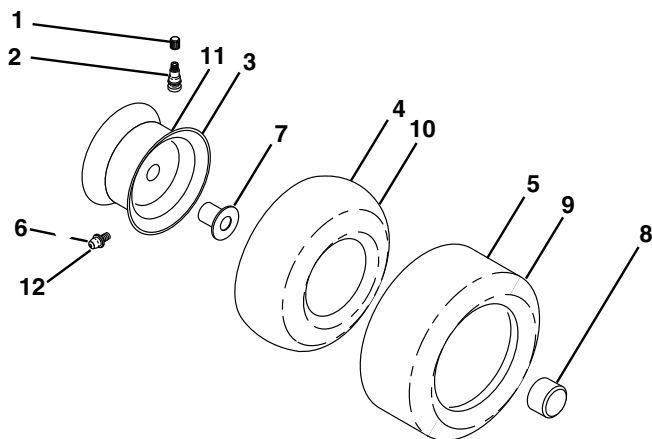
DECALS



| KEY NO. | PART NO. | DESCRIPTION |
|---------|-----------|---------------------|
| 3 | 532176861 | Decal, Hood, RH |
| 4 | 532176862 | Decal, Hood, LH |
| 5 | 532176776 | Decal, Side Panel |
| 6 | 532170563 | Decal, Warning |
| 7 | 532176863 | Decal, Engine HP |
| 8 | 532176864 | Decal, Dash |
| 9 | 532176822 | Decal, Fender |
| 10 | 532157140 | Decal, Danger |
| 11 | 532101892 | Decal, Clutch/Brake |
| 12 | 532176775 | Decal, Engine RCL |

| KEY NO. | PART NO. | DESCRIPTION |
|---------|-----------|----------------------------------|
| 14 | 532160397 | Decal, V-Belt Schematic |
| 15 | 532170564 | Decal, Ins. Strg Whl |
| 17 | 532140837 | Decal, Saddle Brake Parking |
| 23 | 532106202 | Reflector, Taillight |
| 24 | 532145005 | Decal, Btry Dngr/Psn |
| 27 | 532142342 | Decal, Drawbar |
| -- | 532138311 | Decal, Handle Lift (Lift Handle) |
| -- | 532133671 | Pad Footrest |
| -- | 532178464 | Manual, Owner's (English) |
| -- | 532178465 | Manual, Owner's (French) |

WHEELS & TIRES



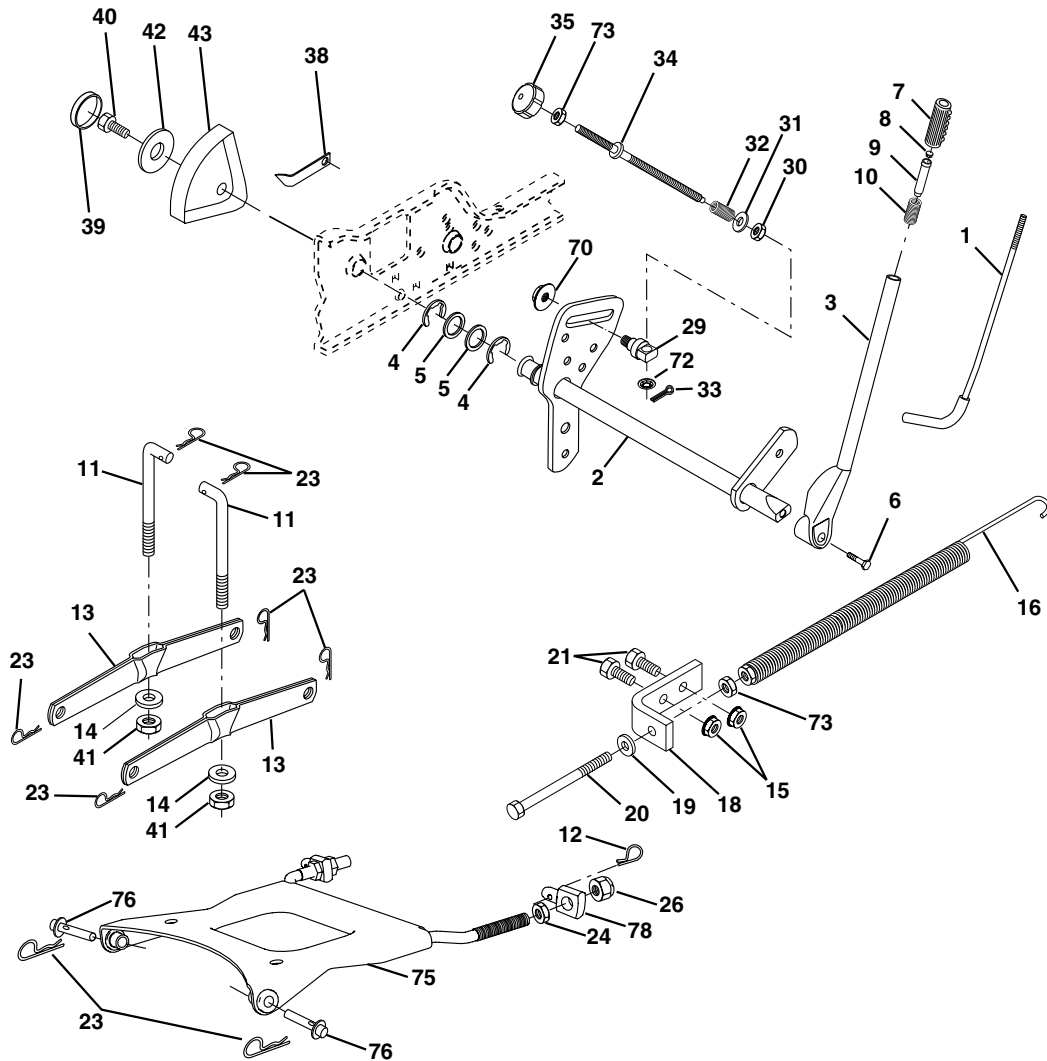
| KEY NO. | PART NO. | DESCRIPTION |
|---------|-----------|------------------------------------|
| 1 | 532059192 | Cap, Valve, Tire |
| 2 | 532065139 | Stem, Valve |
| 3 | 532144509 | Rim Assembly, Front |
| 4 | 532008134 | Tube, Front (Service Item Only) |
| 5 | 532106230 | Tire, Front |
| 6 | 532124957 | Fitting, Grease |
| 7 | 532124959 | Bearing, Flange (Front Wheel Only) |
| 8 | 532175039 | Cap, Hub |
| 9 | 532105588 | Tire, Rear |
| 10 | 532007154 | Tube, Rear (Service Item Only) |
| 11 | 532144510 | Rim Assembly, Rear |
| 12 | 532124860 | Fitting, Grease |
| -- | 532144334 | Sealant, Tire (10 oz. Tube) |

NOTE: All component dimensions given in U.S. inches
1 inch = 25.4 mm

REPAIR PARTS

TRACTOR - - MODEL NO. GTH2250B

LIFT ASSEMBLY



| KEY NO. | PART NO. | DESCRIPTION | KEY NO. | PART NO. | DESCRIPTION |
|---------|-----------|-------------------------------|---------|-----------|----------------------------------|
| 1 | 532121006 | Rod Asm., Lever | 26 | 873800800 | Nut, Lock W/Wsh 1/2-13 Unc |
| 2 | 532159045 | Shaft Asm., Lift Vgt | 29 | 532150233 | Trunnion Infin Height |
| 3 | 532159189 | Lever Asm., Lift Rh | 30 | 532110807 | Nut, Special |
| 4 | 812000022 | E-Ring Truarc #5133-87 | 31 | 819131016 | Washer 13/32 x 5/8 x 16 Ga. |
| 5 | 819292016 | Washer 29/32 x 1-1/4 x 16 Ga. | 32 | 532137150 | Spring, Compression Inf Hgt |
| 6 | 871110624 | Bolt, Fin Hex 3/8-16 x 1-1/2 | 33 | 876020308 | Pin, Cotter 3/32 x 1/2 |
| 7 | 532125631 | Grip, Handle | 34 | 532137167 | Rod, Adj Lift |
| 8 | 532124526 | Button, Plunger | 35 | 532138057 | Knob, Inf 3/8-16 Unc |
| 9 | 532122364 | Plunger, Lever Lift | 38 | 532155097 | Pointer Height Indicator |
| 10 | 532124874 | Spring 2-1/8" | 39 | 532123935 | Plug, Hole Blk. 1.485/1.515 Dia. |
| 11 | 532146704 | Link Lift | 40 | 817060516 | Screw 5/16-18 x 1 |
| 12 | 532163552 | Retainer, Spring | 41 | 873540600 | Nut, Crownlock 3/8-24 |
| 13 | 532139868 | Arm, Suspension Vgt | 42 | 819112410 | Washer 11/32 x 1-1/2 x 10 Ga. |
| 14 | 532169865 | Bearing | 43 | 532123934 | Scale, Indicator Height |
| 15 | 873680600 | Nut, Crownlock 3/8-16 | 70 | 532145212 | Nut Hex Flange Lock |
| 16 | 532124687 | Spring Asm., Assist Lift | 72 | 532110452 | Nut Push Phos & Oil |
| 18 | 532143363 | Bracket, Spring Assist | 73 | 873350600 | Nut Hex Jam 3/8-16 |
| 19 | 819131316 | Washer 13/32 x 13/16 x 16 Ga. | 75 | 532175805 | Plate Asm. Susp front |
| 20 | 532005328 | Bolt, Adjust Spring Assist | 76 | 532175560 | Pin Flange |
| 21 | 874760616 | Bolt, Fin Hex 3/8-16 x 1 | 78 | 532130171 | Trunnion |
| 23 | 532124670 | Retainer, Spring | | | |
| 24 | 873350800 | Nut, Jam Hex 1/2-13 Unc | | | |

NOTE: All component dimensions given in U.S. inches
1 inch = 25.4 mm

REPAIR PARTS

TRACTOR - - MODEL NO. GTH2250B

MOWER DECK

| KEY NO. | PART NO. | DESCRIPTION | KEY NO. | PART NO. | DESCRIPTION |
|---------|------------------|----------------------------------|---------|-----------|--|
| 1 | 532178897 | Deck Asm., Mower 50" | 46 | 874760628 | Bolt, Fin Hex 3/8-16 Unc x 1-3/4 |
| 2 | 873680500 | Nut, Crownlock 5/16-18 | 47 | 532137200 | Cover, Mandrel RH |
| 5 | 532138457 | Bracket Asm., Sway Bar | 48 | 532137729 | Screw, Thd Roll 1/4-20 x 5/8 |
| 6 | 532124670 | Retainer, Spring | 49 | 532136574 | Cover, Mandrel LH |
| 7 | 532130832 | Arm Suspension, Rear | 50 | 532137272 | Arm, Idler Primary |
| 8 | 532850857 | Bolt 3/8-24 x 1.25 Gr. 8 Patched | 51 | 532137273 | Spring, Secondary |
| 9 | 810030600 | Washer, Lock Hvy 3/8 Unplated | 52 | 532139245 | Pulley, Idler V Groove |
| 10 | 532140296 | Washer, Hard Blade Mower Vented | 53 | 532137789 | Shield, Idler |
| 11 | 532137380 | Blade (3 Required) | 54 | 532139573 | V-Belt, Mower Primary |
| 13 | 532137553 | Shaft Asm., W/Lower Brg | 55 | 532144959 | V-Belt, Mower Secondary |
| 14 | 532137152 | Housing, Mandrel 50" Vent | 56 | 532138687 | Spring, Primary |
| 15 | 532110485 | Bearing, Ball Mandrel | 58 | 532133957 | Wheel, Gauge |
| 16 | 532174493 | Stripper, Mower | 59 | 532137644 | Bolt, Shoulder |
| 17 | 532106735 | Rod, Hinge | 62 | 532133943 | Washer Hardened |
| 18 | 819111016 | Washer 11/32 x 5/8 x 16 Ga. | 63 | 872110612 | Bolt Carriage 3/8-16 x 1-1/2 |
| 19 | 532105304 | Cap Sleeve | 64 | 819121414 | Washer 3/8 x 7/8 x 14 Ga. |
| 20 | 532123713 | Spring, Torison Delector | 65 | 532173981 | Pulley Idler Flat Mower |
| 21 | 532137607 | Bracket, Deflector | 66 | 532173979 | Keeper, Belt Idler 50" Vent |
| 22 | 532110452 | Nut, Push | 67 | 873930600 | Nut, Center Lock 3/8-16 |
| 23 | 532171593 | Shield, Deflector Mower | 94 | 874780516 | Bolt H 5/16-18 |
| 26 | 872110606 | Bolt RdHd Sht Sqnk | 95 | 532175746 | Bracket, Asm. Noseroller LH |
| 27 | 819131316 | Washer 13/32 x 13/16 x 16 Ga. | 96 | 532175747 | Bracket, Asm. Noseroller RH |
| 28 | 532132823 | Spacer, Spring Stop Idler | 97 | 819171416 | Washer 17/32 x 7/8 x 16 Ga. |
| 29 | 873800500 | Nut, Lock Hex 5/16-18 | 98 | 532132264 | Roller, Nose |
| 30 | 532157722 | Screw Thd Rolling Washer Head | 99 | 872110614 | Bolt, Carriage 3/8-16 x 1-3/4 Gr. 5 |
| 31 | 532137266 | Nut, Flg Top Lock Cntr 9/16 | 103 | 532155986 | Bar Adj. Gauge Wh. |
| 32 | 532173436 | Pulley, Mandrel | 104 | 532156941 | Pin Head Rivot |
| 33 | 532129963 | Washer, Spacer Mower Vented | 105 | 532156852 | Bracket Ga Wh Asm RH 50 |
| 34 | 872140610 | Bolt, Carriage 3/8-16 x 1-1/4 | 106 | 532156853 | Bracket Ga Wh Asm LH 50 |
| 35 | 872110616 | Bolt, Carriage 3/8-16 x 2 | 107 | 532156854 | Bracket Ga Wh Assy F RH 50 |
| 36 | 872110608 | Bolt, Carriage 3/8-16 x 1 Gr. 5 | 108 | 532156856 | Bracket Ga Wh Assy F LH 50 |
| 37 | 532137166 | Stiffener, Arm Idler | 109 | 872010505 | Bolt Carriage 5/16- 18 x 5/8 |
| 38 | 532173968 | Keeper, Belt Idler | 110 | 873980500 | Nut Crownlock 5/16-18 |
| 39 | 532173438 | Pulley, Idler Flat | 112 | 819171216 | Washer 17/32 x 3/4 x 16 Ga. |
| 40 | 532173980 | Pulley, Driven | 113 | 872110504 | Bolt Carriage 5/16-Unc 1/2 |
| 42 | 872140506 | Bolt, Carriage 5/16-18 Unc x 3/4 | -- | 532143651 | Mandrel Asm (Includes Key Nos. 8-10, 13-15, 31 and 33) |
| 43 | 532136460 | Arm, Idler Secondary | -- | 532178346 | Replacement Mower, Complete |
| 44 | 532122052 | Spacer, Retainer | | | |
| 45 | 873680600 | Nut, Crownlock 3/8-16 Unc | | | |

NOTE: All component dimensions given in U.S. inches
1 inch = 25.4 mm