



Illustrated Parts List	2001-01
	I0102001

YTH 1746 B

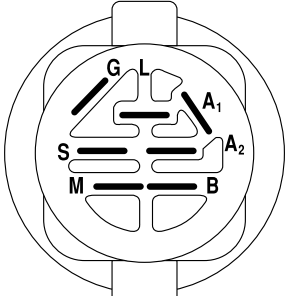
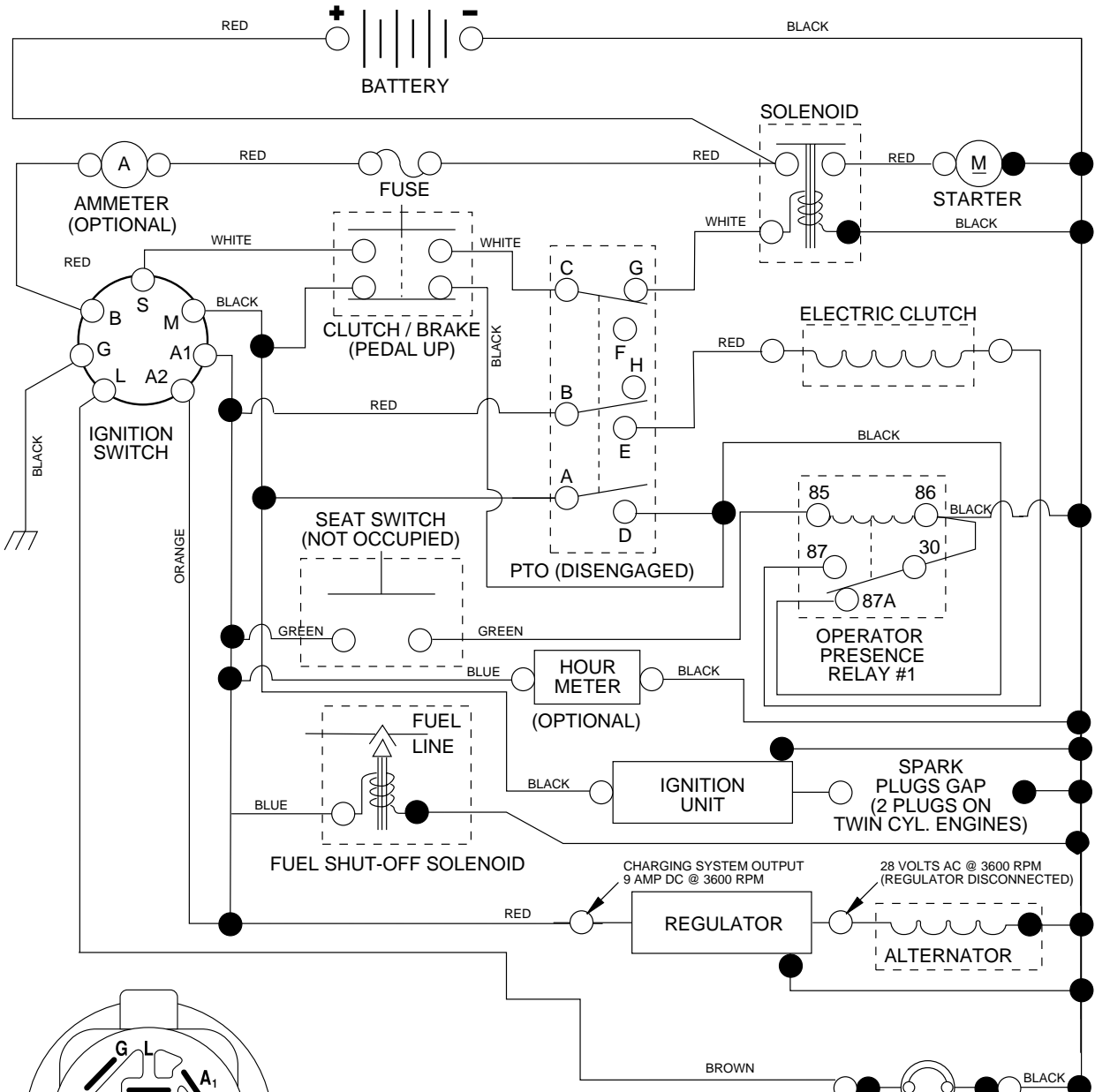
954567055



Repair Parts Manual

Ride Mower

For Husqvarna Parts Call 606-678-9623 or 606-561-4983
TRACTOR - MODEL NO. YTH1746 (YTH1746B), PRODUCT NO. 954 56 70-55
SCHEMATIC



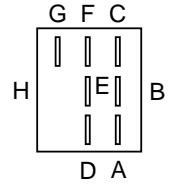
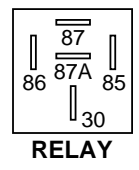
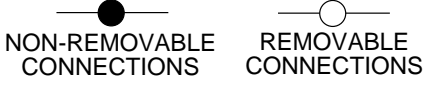
IGNITION SWITCH

POSITION	CIRCUIT	"MAKE"
OFF	M+G+A1	NONE
RUN/LIGHT	B+A1	A2+L
RUN	B+A1	NONE
START	B + S + A1	NONE

WIRING INSULATED CLIPS
NOTE: IF WIRING INSULATED CLIPS WERE REMOVED FOR SERVICING OF UNIT, THEY SHOULD BE REPLACED TO PROPERLY SECURE YOUR WIRING.

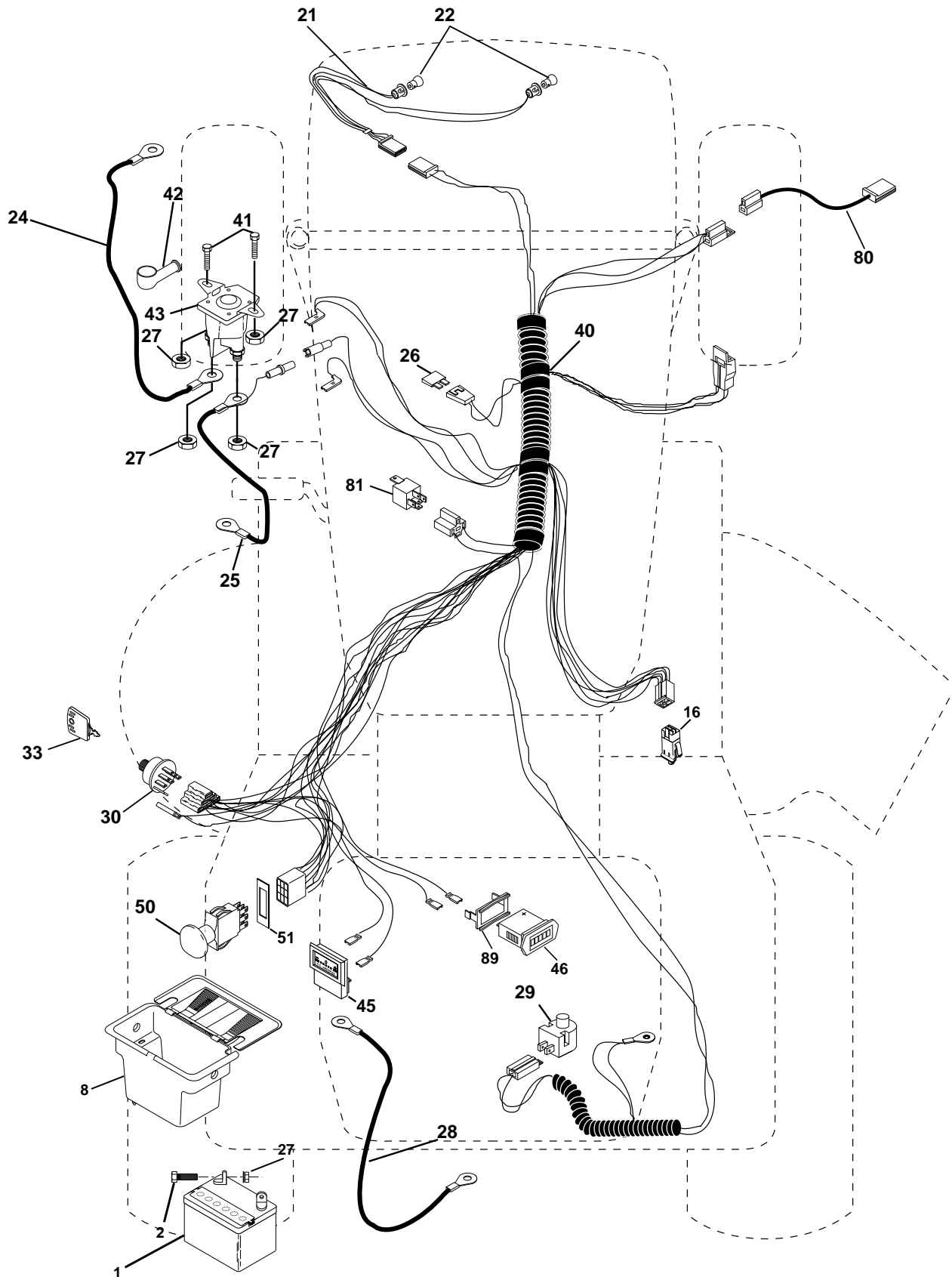
PTO SWITCH

POSITION	CIRCUIT
OFF	C + G, B + H
ON	C + F, B + E, A + D



REPAIR PARTS

TRACTOR - MODEL NO. YTH1746 (YTH1746B), PRODUCT NO. 954 56 70-55
ELECTRICAL



REPAIR PARTS

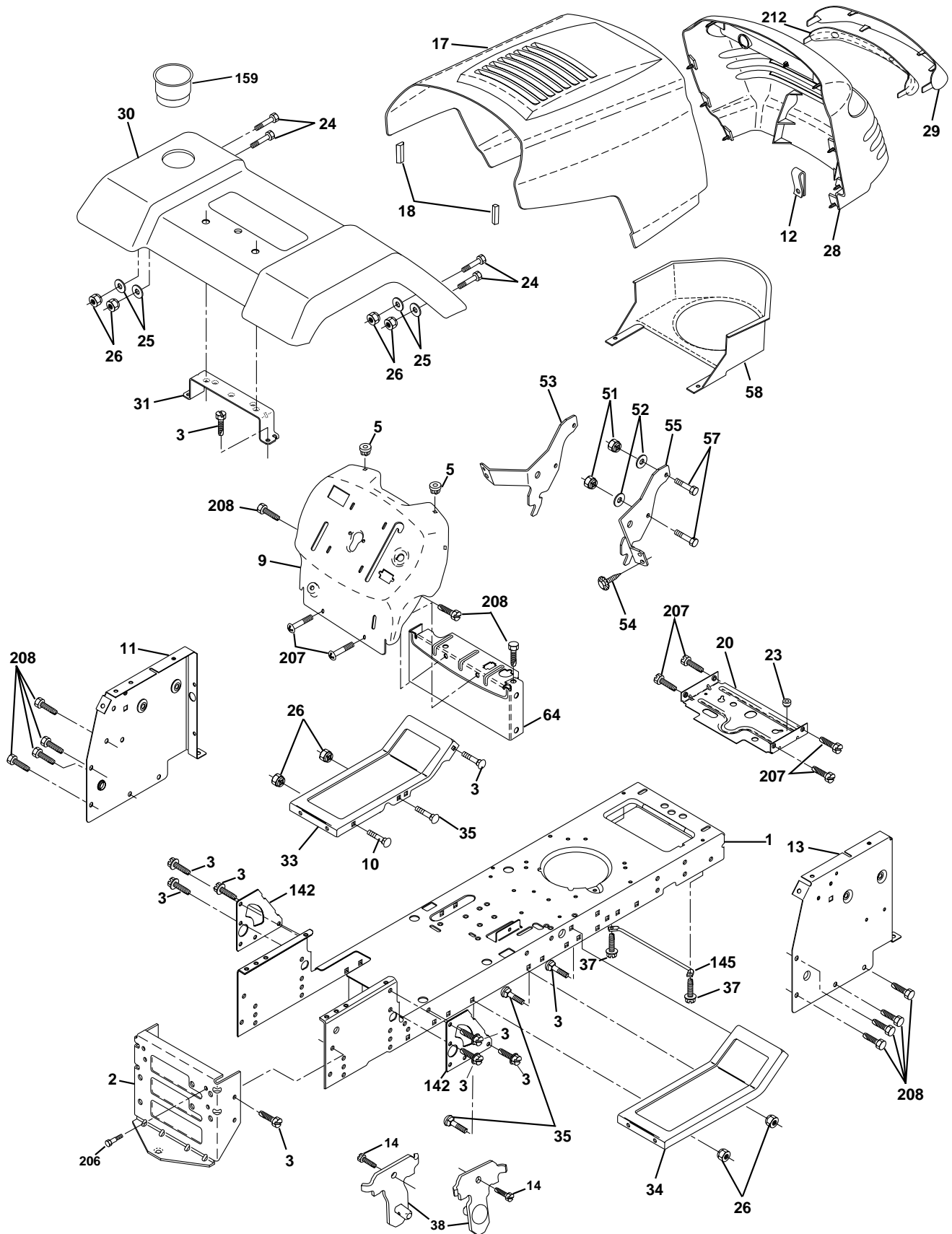
TRACTOR - MODEL NO. YTH1746 (YTH1746B), PRODUCT NO. 954 56 70-55
ELECTRICAL

KEY NO.	PART NO.	DESCRIPTION
1	532144925	Battery 12 Volt 25 AMP
2	874760412	Bolt Hex Hd 1/4-20unc X 3/4
8	532156417	Case Battery Mech Hinge
16	532153664	Switch Interlock Push-In
21	532166181	Harness Asm Light W/4152j
22	532004152	Bulb Light #1 156
24	532124780	Cable Battery 6 Ga 11" red
25	532146147	Cable Battery 6 Ga 44" red w/16 wire
26	532175158	Fuse
27	873510400	Nut Keps Hex 1/4-20 Unc
28	532124773	Cable Ground 6 Ga 12" black
29	532160784	Switch Plunger Nc Gray
30	532175566	Switch Ign
33	532140401	Key Ign Generic
40	532170221	Harness Ign.
41	871110408	Bolt Blk Fin Hex 1/4 - 20 x 1/2
42	532131563	Cover Terminal Red
43	532175141	Solenoid
45	532122822	Ammeter Rectangular 15 Amp
46	532169635	Meter Hour
50	532174651	Switch PTO
51	532140405	Ring Retainer PTO
80	532146685	Harness Clutch Evx
81	532109748	Relay Asm.
89	532169639	Bracket Snap-In Hourmeter

NOTE: All component dimensions given in U.S. inches.
1 inch = 25.4 mm.

REPAIR PARTS

TRACTOR - MODEL NO. YTH1746 (YTH1746B), PRODUCT NO. 954 56 70-55
CHASSIS AND ENCLOSURES



REPAIR PARTS

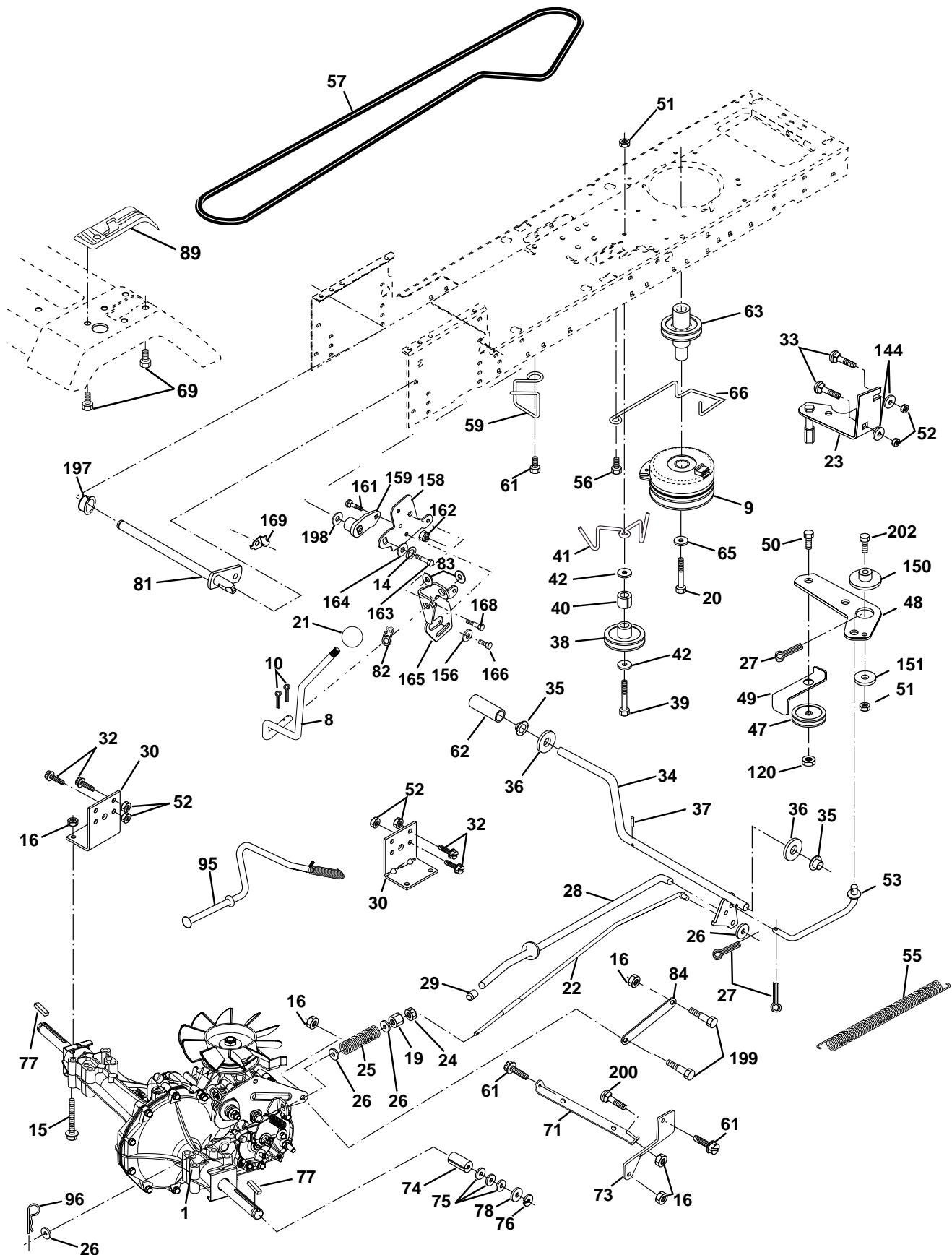
TRACTOR - MODEL NO. YTH1746 (YTH1746B), PRODUCT NO. 954 56 70-55
CHASSIS AND ENCLOSURES

KEY NO.	PART NO.	DESCRIPTION
1	532174619	Chassis stamping
2	532176554	Drawbar, 12 Ga.
3	817060612	Screw 3/8-16x3/4
5	532155272	Bumper Hood/Dash
9	532171682	Dash Slkscr
10	872140608	Bolt Carriage 3/8-16 x 1
11	532155927	Panel Dash Lh
12	532145660	Clip Tinnerman
13	532172106	Panel Dash Rh
17	532162237	Hood P/L LT
18	532126938	Bumper Hood
20	532156437	Plate Mtg Battery Fuel Tank Fr
23	532124028	Bushing
24	874780616	Bolt Fin Hex 3/8-16 x 1 Gr. 5
25	819131312	Washer 13/32 X 13/16 X 12 Ga
26	873800600	Nut Lock Hex w/Ins. 3/8-16 Unc
28	532170475	Grille/Lens Asm
29	532176645	Lens
30	532177087	Fender
31	532136619	Bracket Fender
33	532147203	Footrest Pnt Lh
34	532147202	Footrest Pnt Rh
35	872110606	Bolt Rdhd Sht Sqnk 3/8-16 x 3/4
37	817490508	Screw Thdrol 6/16-18 x 1/2 TYT
38	532169834	Bracket Asm Pivot Mower Rear
51	873800400	Nut Lock w/Insert 1/4-20 Unc
52	819091416	Washer 9/32 x 7/8 x 16 Ga.
53	532144697	Bracket Grille Lh
54	532161464	Screw Hex Wsh 8-18 x 7/8
55	532144696	Bracket Grille Rh
57	874780412	Bolt Hex 1/4-20 x 3/4
58	532150127	Air Duct Engine P/L
64	532154798	Dash Lower STLT
142	532165867	Plate Reinforcement STLT
145	532156524	Rod Pivot Chassis/Hood
159	532177088	Cupholder Stlt Grey
205	817490608	Screw Thdrol. 3/8-16 x 1/2
206	532170165	Bolt Shoulder 5/16-18 TT
207	817670508	Screw Thdrol 5/16-18 x 1/2
208	817670608	Screw Thdrol 3/8-16 x 1/2
212	532156229	Insert Lens Reflective

NOTE: All component dimensions given in U.S. inches
1 inch = 25.4 mm

REPAIR PARTS

TRACTOR - MODEL NO. YTH1746 (YTH1746B), PRODUCT NO. 954 56 70-55
DRIVE



REPAIR PARTS

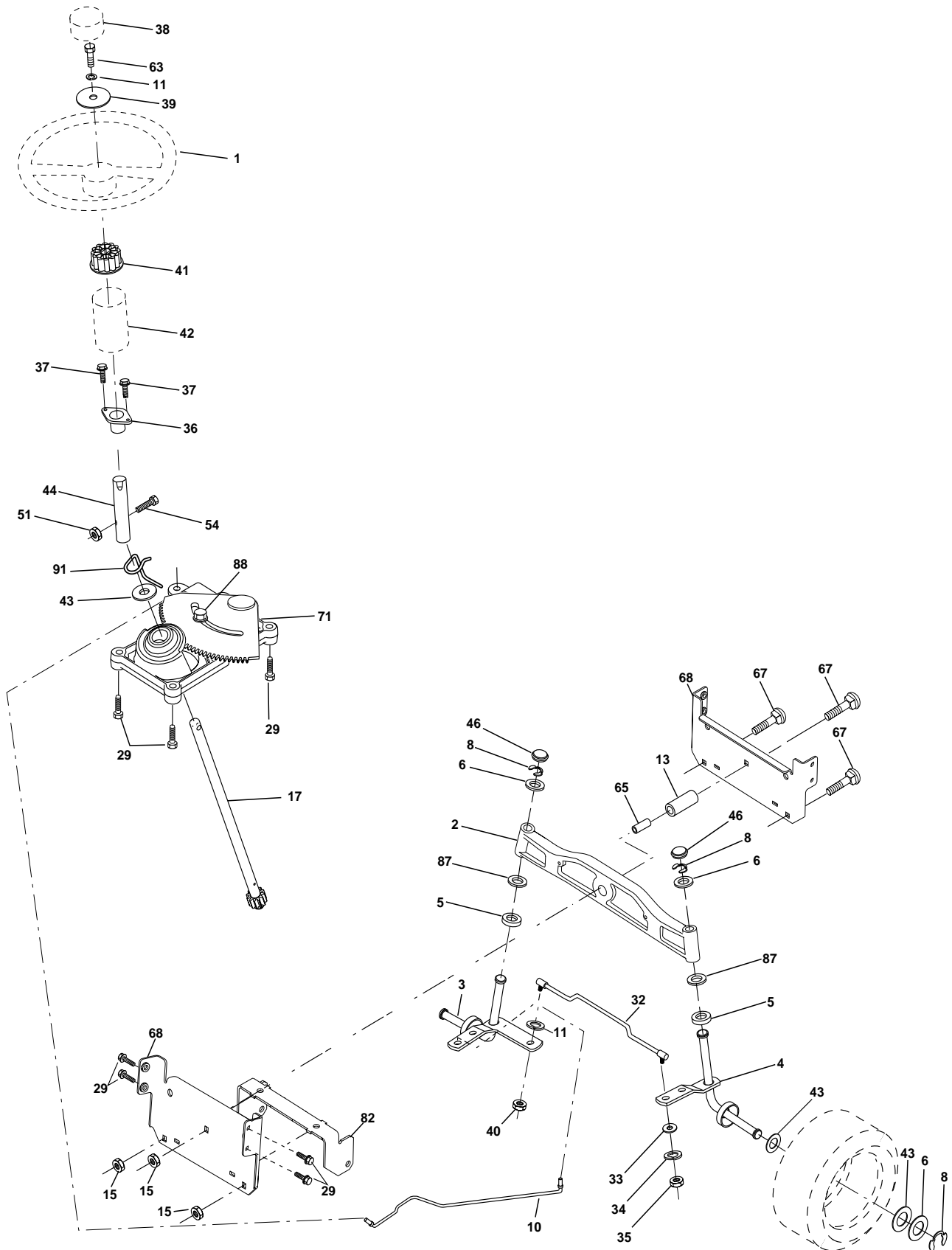
TRACTOR - MODEL NO. YTH1746 (YTH1746B), PRODUCT NO. 954 56 70-55
DRIVE

KEY NO.	PART NO.	DESCRIPTION	KEY NO.	PART NO.	DESCRIPTION
1	-----	Transaxle Hydro Gr. 314-0510 (Order parts from transaxle mfg.)	61	817060612	Screw 3/8-16 x 3/4
8	532165619	Rod Shift Fender Adjust LT	62	532124872	Cover, Pedal
9	532145028	Clutch Electric	63	532175414	Pulley, Engine
10	876020416	Pin Cotter 1/8 x 1 CAD	65	810040700	Washer Lock Hvy HLCL Spr 7/16
14	810040400	Washer Lock Hvy Helical	66	532154778	Keeper Belt Engine
15	874490544	Bolt Hex 5/16-18 Gr. 5	69	532142432	Screw Hex Wsh Hi-Lo 1/4-1/2 Unc
16	873800500	Nut Lock Hex W/Ins. 5/16-18 Unc P	71	532169183	Strap Torque Lh
19	873800600	Nut Lock Hex W/Ins 3/8-16 Unc	73	532169182	Strap Torque Rh
20	532150280	Bolt, Hex 7/16-20 x 4-1/4 Ga. 5	74	532137057	Spacer, Axle
21	532140845	Knob Deluxe 1/2-13 UNC BLK/BLK	75	532121749	Washer 25/32 x 1-1/4 x 16 Ga.
22	532169498	Rod, Brake Hydro	76	812000001	E-Ring
23	532171258	Bracket Asm. Anti-Rot EVX	77	532123583	Key, Square
24	873350600	Nut Hex Jam 3/8-16 UNC	78	532121748	Washer 25/32 x 1-5/8 x 16 Ga
25	532106888	Spring, Brake Rod	81	532165596	Shaft Asm Cross Tapered
26	819131316	Washer	82	532123782	Spring Torsion T/A
27	876020412	Pin Cotter 1/8 x 3/4 CAD.	83	819171216	Washer 17/32 x 3/4 x 16 Ga.
28	532175765	Rod, Parking Brake	84	532169594	Link Transaxle
29	532071673	Cap, Parking Brake	89	532176940	Console, Hydro
30	532169592	Bracket, Transaxle	95	532170201	Control Asm. Bypass Hydro
32	874760512	Bolt Hex Hd 5/16-18 Unc x 3/4	96	532124788	Retainer Spring 1" Zinc/Cad
33	872140506	Bolt Carriage 5/16-18 UNC x 3/4	120	873900600	Nut Lock Flg. 3/8-16 Unc
34	532175578	Shaft, Foot Pedal	144	819111016	Washer 11/32 x 5/8 x 16 Ga.
35	532120183	Bearing, Nylon	150	532175456	Spacer Retainer
36	819211616	Washer	151	819133210	Washer 13/32 x 2 x 10 Ga.
37	532124963	Pin, Roll	156	532166002	Washer Srrted 5/16 ID X 1 X .125
38	532165936	Pulley Flat Composite	158	532165589	Bracket Shift Mount
39	874760648	Bolt Fin Hex 3/8-16 Unc x 3	159	532165494	Hub Tapered Flange Shift LT
40	532175461	Spacer Split	161	872140406	Bolt Rdhd Sqnk 1/4-20 x 3/4 Gr. 5
41	532175556	Keeper, Belt Idler	162	873680400	Nut Crownlock 1/4-20 Unc
42	819131312	Washer 13/32 x 13/16 x 12 Ga	163	874780416	Bolt Hex Fin 1/4-20 Unc x 1 Gr. 5
47	532127783	Pulley, Idler, V-Groove Plastic	164	819091010	Washer 5/8 x .281 x 10 Ga.
48	532154407	Bellcrank Clutch Grnd Drv Stl	165	532165623	Bracket Pivot Lever
49	532123205	Retainer, Belt Style Spring	166	532166880	Screw 5/16-18 x 5/8
50	874760624	Bolt Hex Hd 3/8-16 Unc x 1-1/2	168	532165492	Bolt Shoulder 5/16-18 x .561
51	873680600	Nut	169	532165580	Plate Fastening LT
52	873680500	Nut Crown Lock 5/16-18	197	532169613	Nyliner Snap-In 5/8" ID
53	532105710	Link, Clutch	198	532169593	Washer Nyl 7/8ID x .105 Hyd
55	532105709	Spring, Return, Clutch	199	532169612	Bolt Shoulder 5/16-18 Unc
56	817060616	Screw 3/8-16 x 1.0	200	872140508	Bolt Rdhd Sqnk 5/16-18 Unc x 1
57	532140294	V-Belt, Ground Drive	202	872110614	Bolt
59	532169691	Keeper, Center Span			

NOTE: All component dimensions given in U.S. inches
1 inch = 25.4 mm

REPAIR PARTS

TRACTOR - MODEL NO. YTH1746 (YTH1746B), PRODUCT NO. 954 56 70-55
STEERING ASSEMBLY



REPAIR PARTS

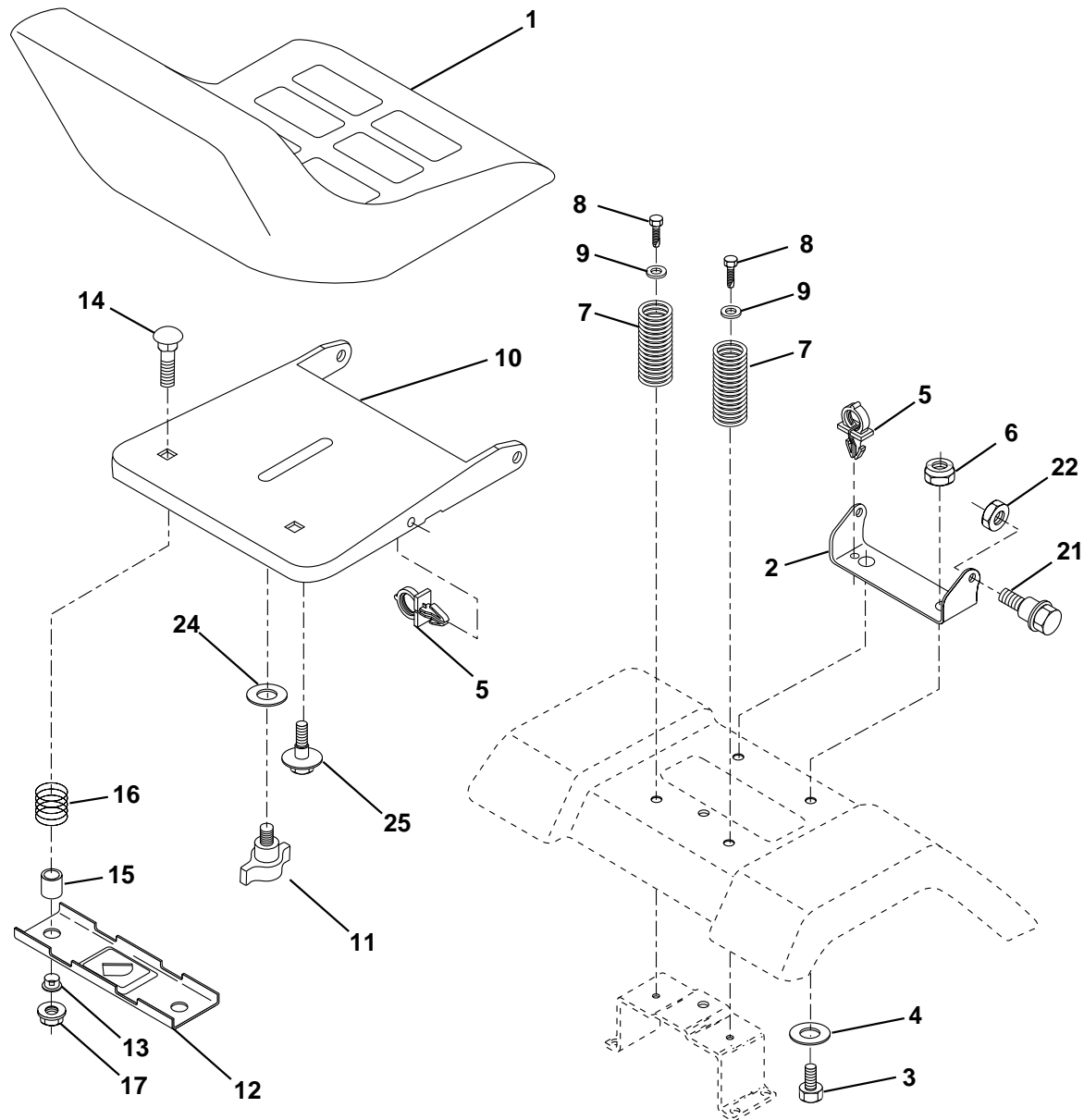
**TRACTOR - MODEL NO. YTH1746 (YTH1746B), PRODUCT NO. 954 56 70-55
STEERING ASSEMBLY**

KEY NO.	PART NO.	DESCRIPTION
1	532166627	Wheel Steering
2	532172393	Axle Cast LT Machined
3	532169840	Spindle Asm Cast LH
4	532169839	Spindle Asm Cast RH
5	532124931	Bearing Race Thrust Harden
6	532121748	Washer 25/32 X 1-5/8 X 16 Ga
8	812000029	Ring Klip #t5304-75
10	532175121	Link Drag
11	810040600	Washer Lock Hvy Hlcl Spr 3/8
13	532136518	Spacer Brg Axle Front
15	532145212	Nut Hex Flange Lock Yel D
17	532177876	Shaft Asm Strg Private Label
29	817060612	Screw 3/8-16x3/4
32	532171888	Rod Tie
33	819111216	Washer 11/32 x 3/4 x 16 Ga.
34	810040500	Washer Lock Hvy. Helical 5/16 SD
35	873540600	Crownlock Nut 5/16-24 Unf
36	532155099	Bushing Strg
37	532152927	Screw TT #32.5 x 5 x 3/8 Flange
38	532166626	Cap Wheel Steer
39	819132411	Washer 13/32 x 1-1/20 x 11 Ga.
40	532124701	Nut Lock Center 3/8-24 Unf
41	532159945	Adaptor Wheel Strg
42	532169634	Boot Dash Steering
43	532121749	Washer 25/32 X 1 1/4 X 16 Ga
44	532153720	Extension Steering Non-adjust
46	532121232	Cap Spindle Fr Top Blk
51	873800500	Nut Lock Hex W/Ins 5/16-18 UNC
54	874780520	Bolt Fin Hex 5/16-18 UNC x 1-1/4
63	874780616	Bolt Fin Hex 3/8-16 UNC x 1 Gr. 5
65	532160367	Spacer, Brace Axle
67	872140618	Bolt Rdhd 3/8-16 x 2-1/4
68	532169827	Brace, Axle
71	532175146	Steering Asm.
82	532169835	Bracket Susp Chassis Front 15"
87	532173966	Washer Flat .781 x 1-1/2 x .14
88	532175118	Bolt Shoulder 7/16-20 Unc Tap R
91	532175553	Clip, Steering

NOTE: All component dimensions given in U.S. inches.
1 inch = 25.4 mm.

REPAIR PARTS

TRACTOR - MODEL NO. YTH1746 (YTH1746B), PRODUCT NO. 954 56 70-55
SEAT ASSEMBLY



**KEY PART
NO. NO.**

DESCRIPTION

1	532140839	Seat
2	532140551	Bracket Pivot Seat 8 720
3	871110616	Bolt Fin Hex 3/8-16unc X 1
4	819131610	Washer 13/32 X 1 X 10 Ga
5	532145006	Clip Push-In
6	873800600	Nut Hex w/Ins. 3/8-16 Unc
7	532124181	Spring Seat Cprsn 2 250 Blk Zi
8	817000616	Screw 3/8-16 X 1
9	819131614	Washer 13/32 X 1 X 14 Ga.
10	532174894	Pan Seat
11	532166369	Knob Seat Adj Wingnut
12	532121246	Bracket Mounting Switch

**KEY PART
NO. NO.**

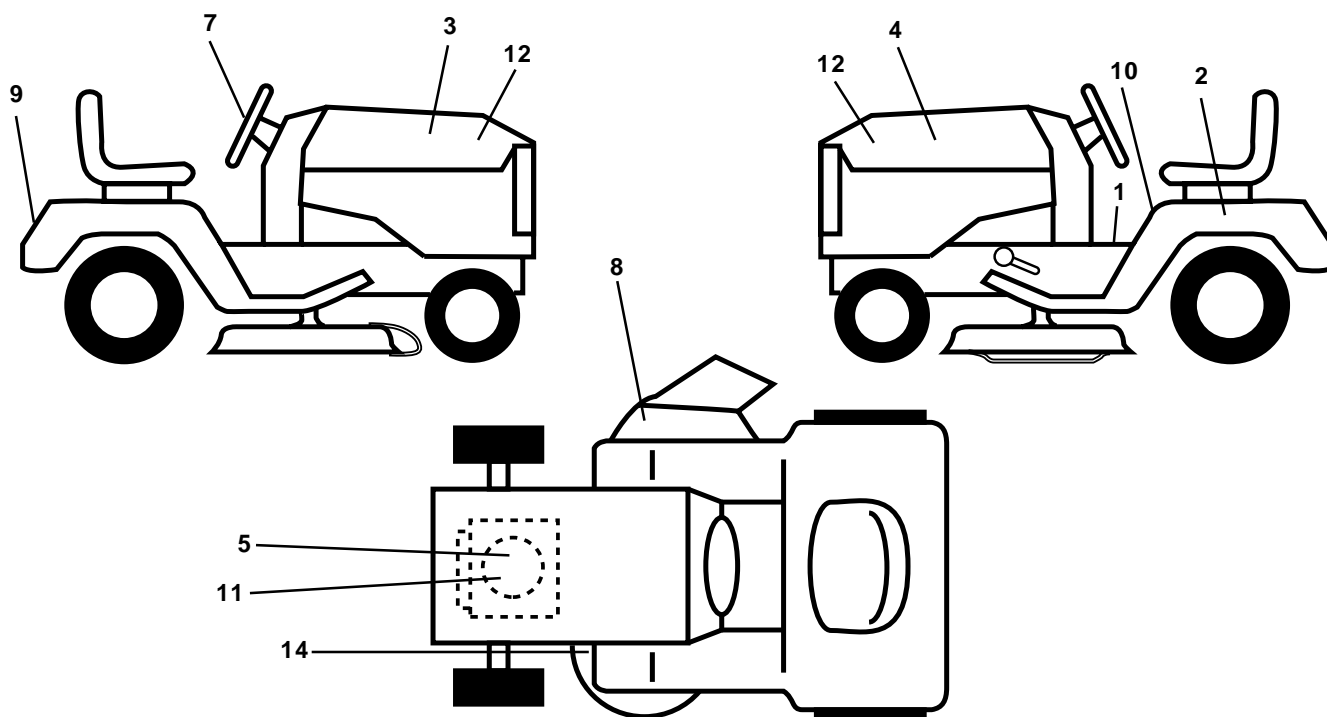
DESCRIPTION

13	532121248	Bushing Snap Blk Nyl 50 Id
14	872050412	Bolt Rdhd Sqnk 1/4-20x1-1/2
15	532134300	Spacer Split 28x 96 Yel Zinc
16	532121250	Spring Cprsn 1 27 Blk Pnt
17	532123976	Nut Lock 1/4 Lge Flg Gr 5 Zinc
21	532171852	Bolt Shoulder 5/16-18 Unc
22	873800500	Nut Hex Lock W/Ins 5/16-18
24	819171912	Washer 17/32 X 1-3/16 X 12 Ga.
25	532127018	Bolt Shoulder 5/16-18 X 62

NOTE: All component dimensions given in U.S. inches.
1 inch = 25.4 mm

REPAIR PARTS

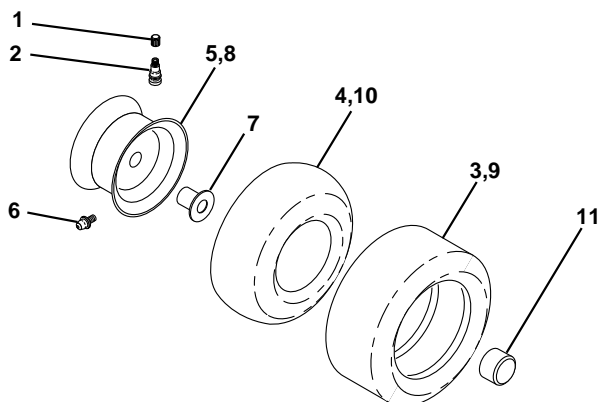
TRACTOR - MODEL NO. YTH1746 (YTH1746B), PRODUCT NO. 954 56 70-55
DECALS



KEY NO.	PART NO.	DESCRIPTION
1	532157032	Decal Oper. Step Thru E/F
2	532145005	Decal Battery
3	532176780	Decal Hood RH
4	532176781	Decal Hood LH
5	532176778	Decal HP Engine
7	532170564	Decal Wheel Steering
8	532170563	Decal Warning
9	532176822	Decal Fender Husq

KEY NO.	PART NO.	DESCRIPTION
10	532157140	Decal Fender Danger E/F
11	532176775	Decal Engine Logo
12	532176776	Decal Hood Sides Logo
14	532160397	Decal V-Belt Schematic
--	532133671	Pad Footrest
--	532138311	Decal Handle Lft Height Adjust
--	532169210	Decal By Pass Lt Hydro
--	532177973	Manual Owner's (English)
--	532177974	Manual Owner's (French)

WHEELS & TIRES

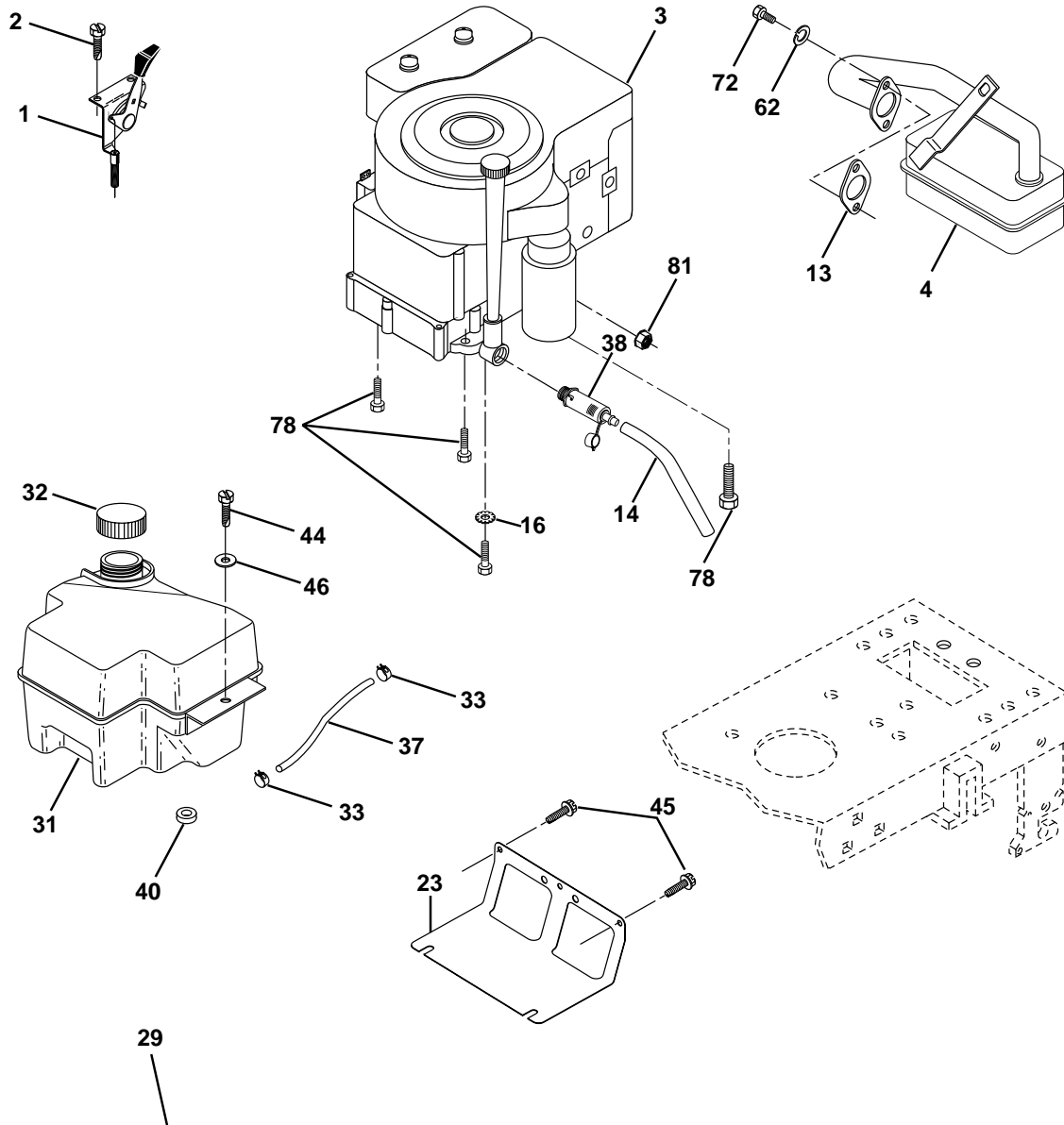


KEY NO.	PART NO.	DESCRIPTION
1	532059192	Cap Valve Tire
2	532065139	Stem Valve
3	532106222	Tire F Ts 15 X 6 0 - 6 Service
4	532059904	Tube Front (Service Item Only)
5	532138336	Rim Asm 6"front Silver Service
6	532124957	Fitting Grease (Front Wheel Only)
7	532124959	Bearing Flange (Front Wheel Only)
8	532138337	Rim Asm 8"rear Silver Service
9	532122082	Tire R Ts 20x10-8 C Service
10	532124926	Tube Rear (Service Item Only)
11	532175039	Cap Axle Blk 1 50 X 1 00
--	532144334	Sealant, Tire (10 oz. Tube)

NOTE: All component dimensions given in U.S. inches
1 inch = 25.4 mm

REPAIR PARTS

TRACTOR - MODEL NO. YTH1746 (YTH1746B), PRODUCT NO. 954 56 70-55
ENGINE



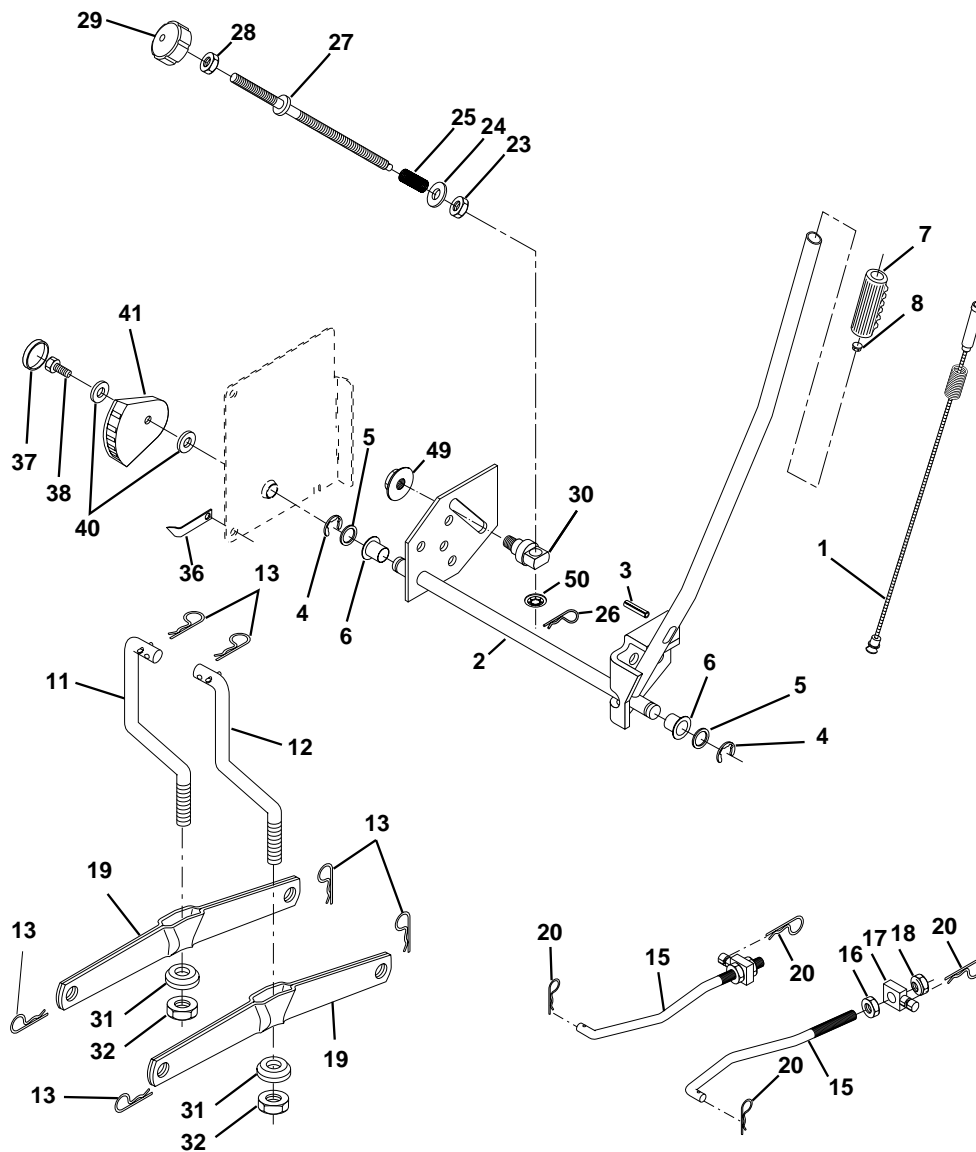
OPTIONAL EQUIPMENT
Spark Arrester

KEY NO.	PART NO.	DESCRIPTION	KEY NO.	PART NO.	DESCRIPTION
1	532170551	Control Th/ch Flag Dom.	33	532123487	Clamp Hose Black
2	817720410	Screw Hex Thd Cut 1/4-20x5/8 T	37	532137040	Line Fuel
3	-----	Engine B&S Model 311777 (Order parts from engine manufacturer)	38	532148315	Plug Drain Oil Easy
4	532137352	Muffler	40	532124028	Bushing Snap Nyl Blk Line Fuel
13	532165291	Gasket	44	817670412	Screw Hex Wsh Thdrol 1/4-20 x 3/4
14	532148456	Tube Drain Oil Easy	45	817000612	Screw Hex Wsh Thdrol 3/8-16 x 3/4
16	811050600	Washer Lock Ext Tooth 3/8	46	819091416	Washer 9/32 x 7/8 x 16 Ga.
23	532169837	Shield BRN/DBR Guard	62	810040500	Washer Lock Hvy Hlcl Spr. 5/16
29	532137180	Kit Spark Arrestor (Flat Scrm)	72	871070512	Screw Hex Hd Cap 5/16-18 x 3/4
31	532174642	Tank Fuel	78	817060620	Screw 3/8-16 x 1-1/4
32	532140527	Cap Asm Fuel W/sym Vented	81	873510400	Nut Keps Hex 1/4-20 Unc

NOTE: All component dimensions given in U.S. inches
1 inch = 25.4 mm

REPAIR PARTS

TRACTOR - MODEL NO. YTH1746 (YTH1746B), PRODUCT NO. 954 56 70-55
MOWER LIFT



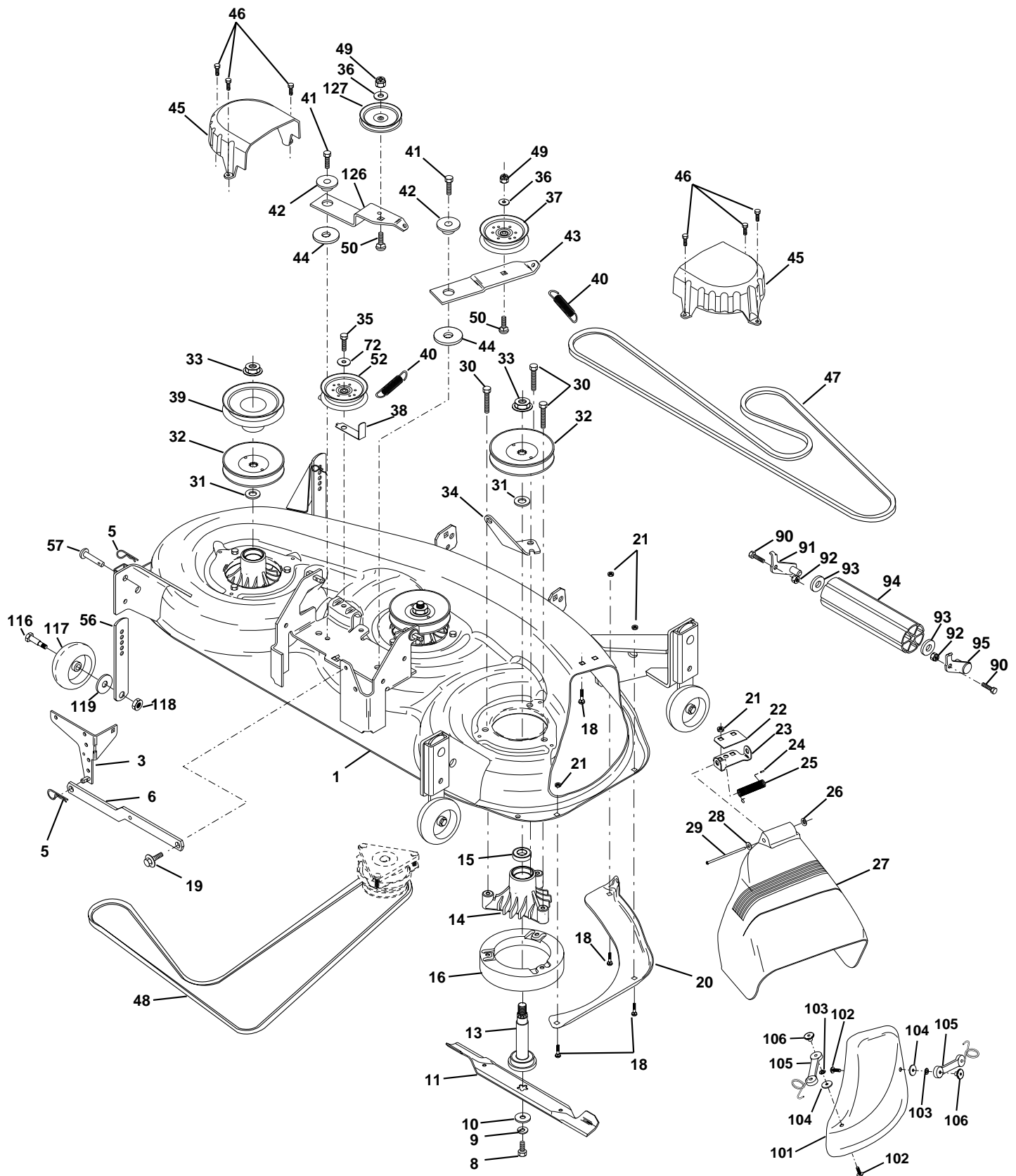
KEY NO.	PART NO.	DESCRIPTION
1	532159460	Wire Asm Inner W/plunger
2	532159471	Shaft Asm Lift RH w/Inf
3	532105767	Pin Groove 1 500 Zinc
4	812000002	E Ring #5133-62
5	819211621	Washer 21/32 X 1 X 21 Ga
6	532120183	Bearing Nylon Blk 629 Id
7	532125631	Grip Handle Fluted Blk
8	532124526	Button Plunger Black
11	532139865	Link Lift LH Fixed Length
12	532139866	Link Lift RH Fixed Length
13	532124670	Retainer Spring
15	532173288	Link Front
16	873350800	Nut Jam Hex 1/2-13 Unc
17	532130171	Trunnion Blk Zinc
18	873800800	Nut Lock w/Wsh 1/2-13unc
19	532139868	Arm Suspension Rear
20	532163552	Retainer Spring
23	532110807	Nut Special

KEY NO.	PART NO.	DESCRIPTION
24	819131016	Washer 13/32 X 5/8 X 16 Ga
25	532124874	Spring 2-1/8"
26	532169484	Retainer Clip
27	532126971	Rod Adj Lift Zinc 7.49 Wrk Lg
28	873350600	Nut Hex Jam 3/8-16 Unc
29	532138057	Knob Inf 3/8-16 Unc Blk W/sym
30	532150233	Trunnion Infin Height
31	532169865	Bearing Pvt Lift
32	873540600	Nut Crownlock 3/8 - 24
36	532155097	Pointer Height Indicator
37	532123935	Plug Hole Blk 1.485/1.515 Dia.
38	817060516	Screw 5/16-18 x 1
40	819112410	Washer 11/32 x 1-1/2 10 Ga.
41	532155098	Indicator Height STLTL
49	532145212	Nut Hex Flange Lock
50	532110452	Nut Phos & Oil

NOTE: All component dimensions given in U.S. inches
1 inch = 25.4 mm

REPAIR PARTS

TRACTOR - MODEL NO. YTH1746 (YTH1746B), PRODUCT NO. 954 56 70-55
MOWER DECK



REPAIR PARTS

TRACTOR - MODEL NO. YTH1746 (YTH1746B), PRODUCT NO. 954 56 70-55
MOWER DECK

KEY NO.	PART NO.	DESCRIPTION	KEY NO.	PART NO.	DESCRIPTION
1	532177083	Deck Weldment Mower HD 46 WAD	43	532177085	Arm, Idler Secondary
3	532138457	Bracket Asm., Sway Bar	44	532133943	Washer, Hardened
5	532124670	Retainer Spring	45	532145059	Cover, Mandrel Deck
6	532130832	Arm, Suspension, Rear (Sway Bar)	46	532137729	Screw, Thdroll. 1/4-20 x 5/8
8	532850857	Bolt, Patched 3/8-24 x 1-1/4 Gr. 8	47	532144959	V-Belt, Mower, Secondary
9	810030600	Washer, Lock Hvy., Unplated 3/8	48	532148763	V-Belt, Mower, Primary
10	532140296	Washer, Hard Blade, Mower Vented	49	873680600	Nut, Crownlock 3/8-16 UNC
11	532176084	Blade, 46" High Performance	50	872110612	Bolt, Carriage 3/8-16 x 1-1/2 Gr. 5
	532152443	Blade, 46" Mulching	52	532173901	Pulley Idler Flat 46 Pri. Drive
13	532137553	Shaft Asm. w/Lower Bearing (Includes Key No. 12)	56	532155986	Bar Pnt Adjusting Wheel Gauge
14	532137152	Housing, Mandrel	57	532156941	Pin Head Rivet
15	532110485	Bearing, Ball, Mandrel	72	819131616	Washer 13/32 x 1 x 16 Ga.
16	532174493	Stripper, Mower Round	90	874760616	Bolt, Fin, Hex 3/8-16 UNC x 1
18	872140505	Bolt, Carriage 5/16-18 x 5/8	91	532132274	Bracket, Asm Noseroller, LH
19	532132827	Bolt, Hex Head, Shoulder 5/16-18	92	873800600	Nut, Lock, Hex w/Ins 3/8-16UNC
20	532145055	Baffle, Vortex Mower 46"	93	819171416	Washer 17/32 x 7/8 x 16 Ga.
21	873680500	Nut, Crownlock 5/16-18 UNC	94	532132264	Roller, Nose 38 & 42
22	532176929	Stiffener, Bracket	95	532132273	Bracket, asm Noseroller RH
23	532176927	Bracket, Deflector	101	532145579	Cover, Mulching
24	532105304	Cap, Sleeve	102	871081010	Screw
25	532149287	Spring, Torsion, Deflector	103	810071000	Washer, Lock #10
26	532110452	Nut, Push	104	819061216	Washer
27	532171384	Shield, Deflector Mower	105	532160793	Latch Asm. Bagger
28	819111016	Washer 11/32 x 5/8 x 16 Ga.	106	532125004	Nut, Weld
29	532131491	Rod, Hinge	116	532137644	Bolt, Shoulder
30	532157722	Screw, Thdroll, Washer Head	117	532133957	Gauge Wheel
31	532129963	Washer, Spacer Mower Vented	118	873930600	Nut, Centerlock 3/8-16 UNC
32	532173434	Pulley, Mandrel	119	819121414	Washer 3/8 x 7/8 x 14 Ga.
33	532137266	Nut, Flg. Top Lock Cntr. 9/16	126	532177084	Arm, Idler, Primary Deck 46"
34	532177086	Anchor, Spring Deck 46"	127	532173902	Pulley, Idler, V-Groove Dim. 4.25
35	817490628	Screw, Thdroll 3/8-16 x 1-3/4 Tytt	--	532143651	Mandrel Assembly (Includes Key Nos. 8-10, 12-15, 31 and 33)
36	819131316	Washer 13/32 x 13/16 x 16 Ga.	--	532176549	Mower Serv 46" (Standard Deck Order nose roller, guage wheels, and mulching plate components separately Key Nos. 90-95, 116-118, 101-106)
37	532173438	Pulley, Idler, Flat			
38	532173900	Keeper, Belt, Idler			
39	532173899	Pulley, Idler, Driven			
40	532137273	Spring, Secondary 44/46/50 Vent			
41	817060620	Screw, Thdroll 3/8-16 x 1-1/4			
42	532122052	Spacer, Retainer			

NOTE: All component dimensions given in U.S. inches
1 inch = 25.4 mm