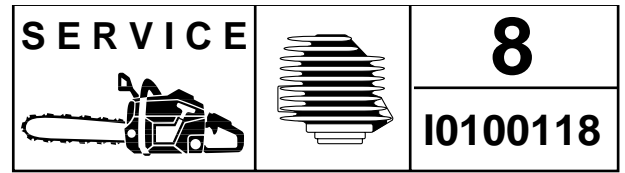


For Husqvarna Parts Call 606-678-9623 or 606-561-4983



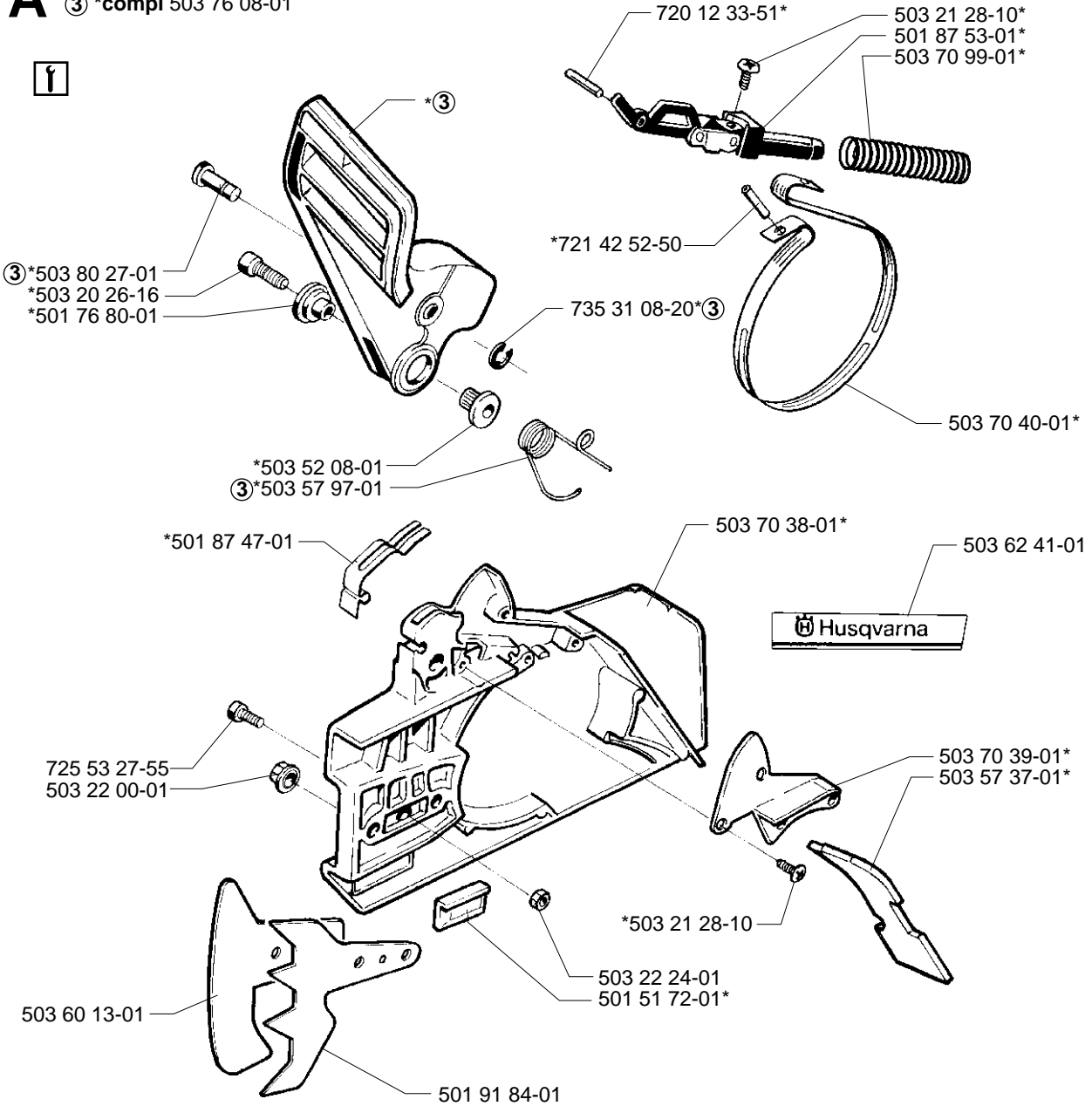
IPL, 281, 288, 288 EPA, 2001-10, 106 23 51-65

281, 288, 288 EPA

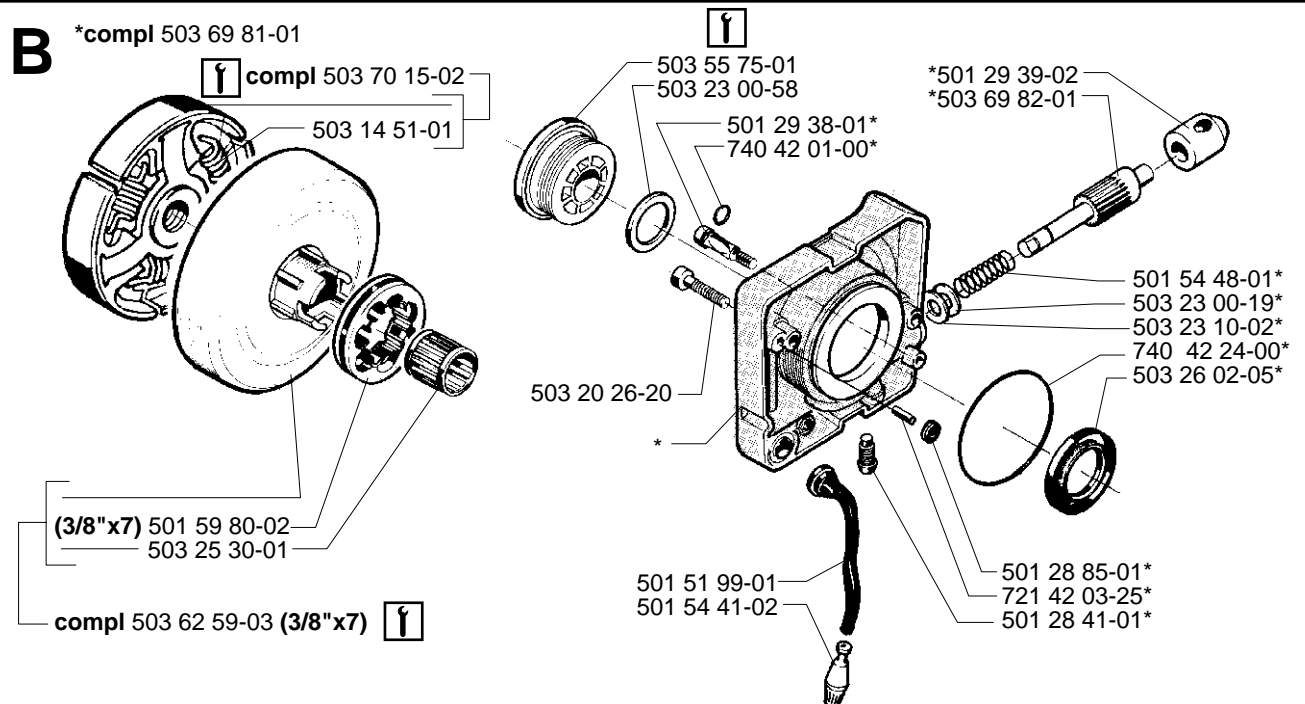
Spare parts	Replaces	
Ersatzteile	Ersetzt	
Pièces détachées	Remplace	
Reserve onderdelen	Vervangt	
Repuestos	Reemplaza	
Reservdelar	Ersätter	106 23 51-64

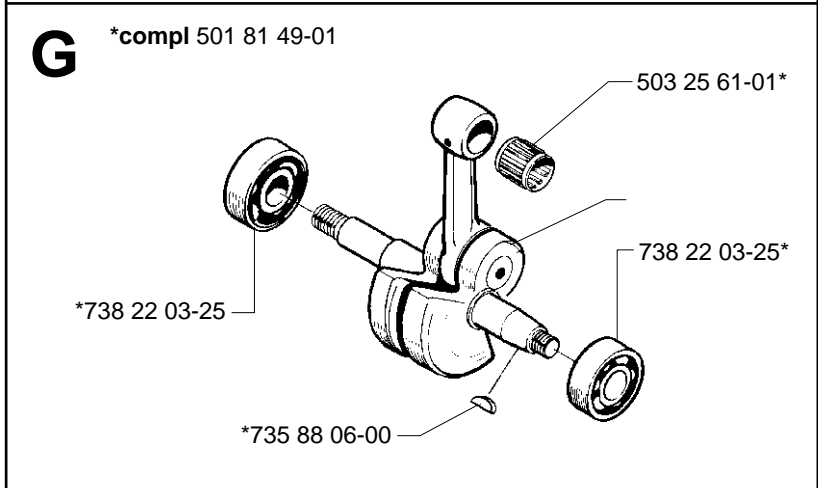
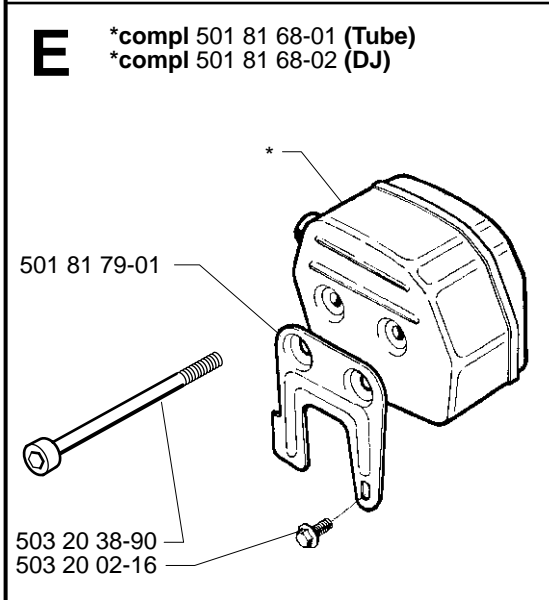
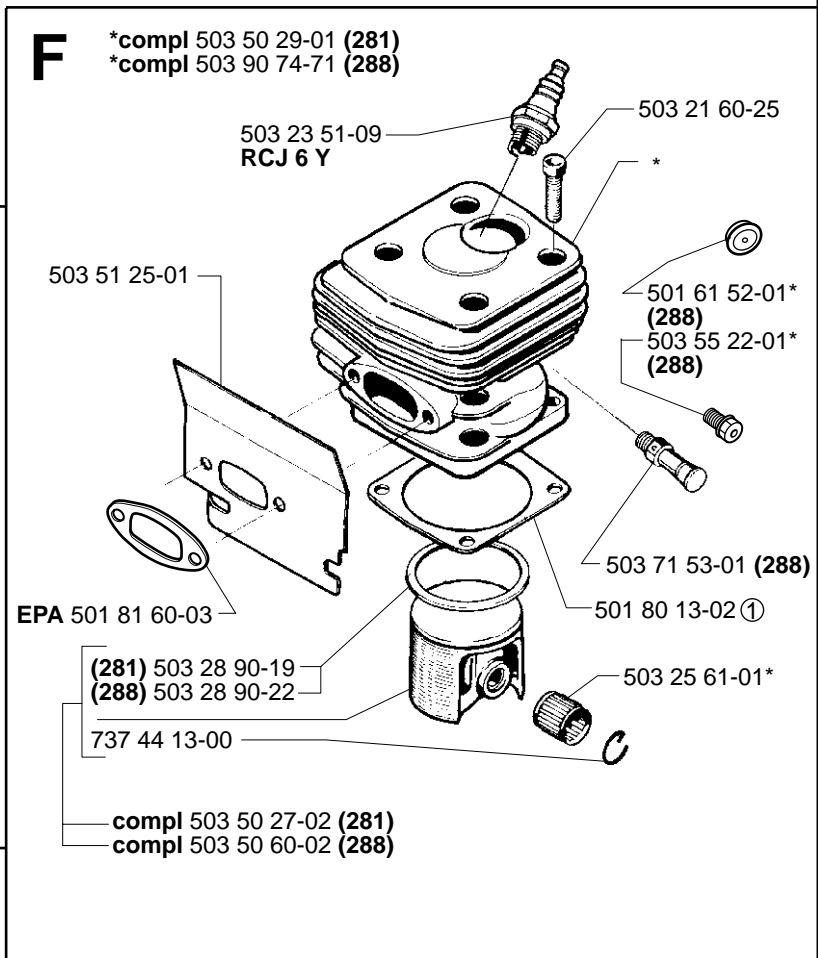
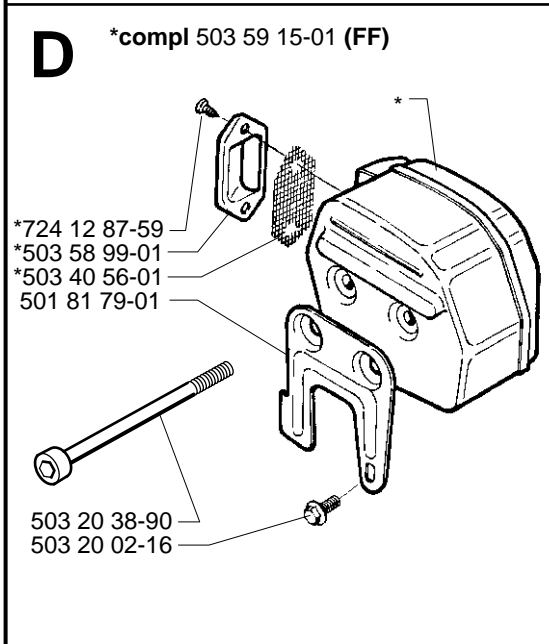
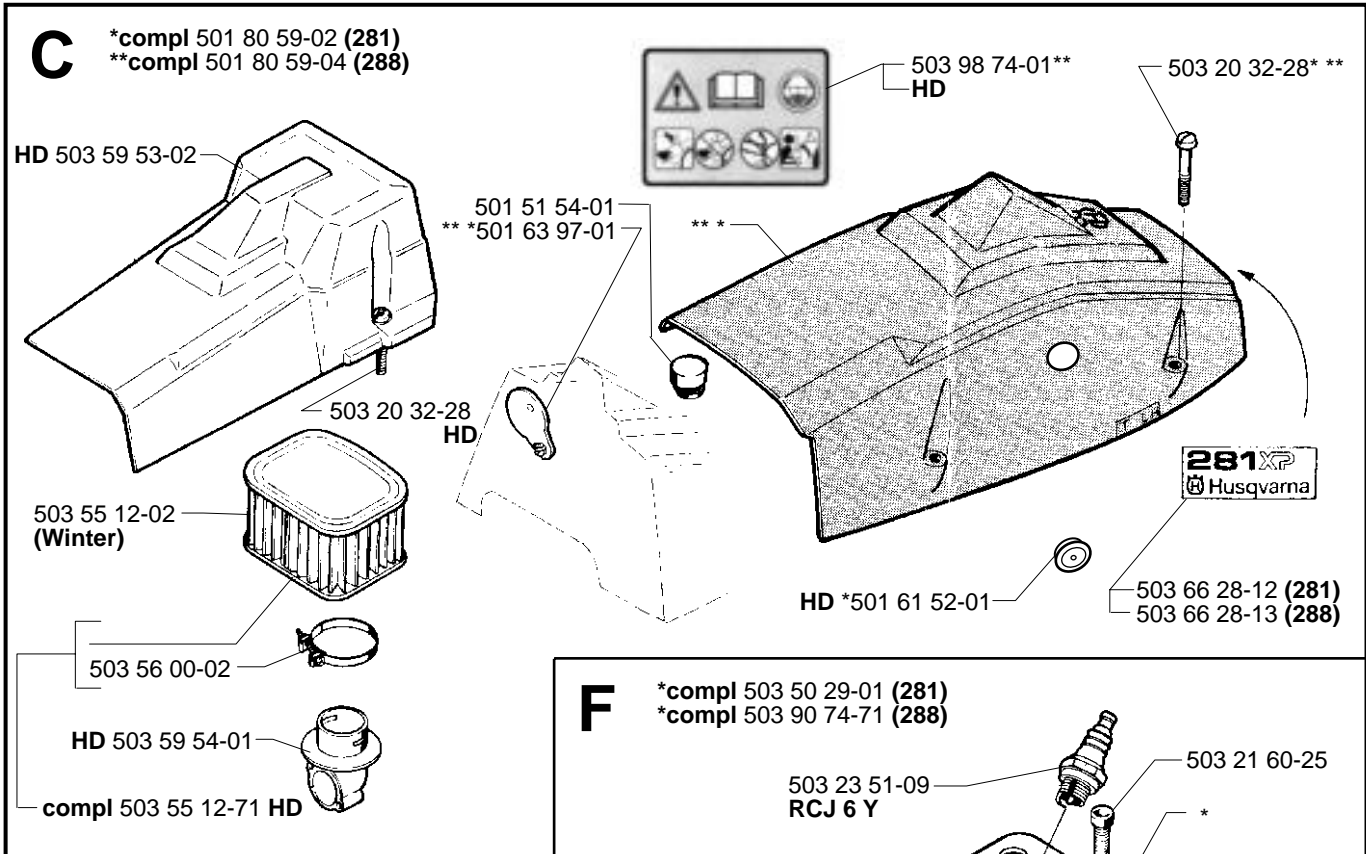
106 23 51-65

A *compl 503 74 67-02
 ③ *compl 503 76 08-01



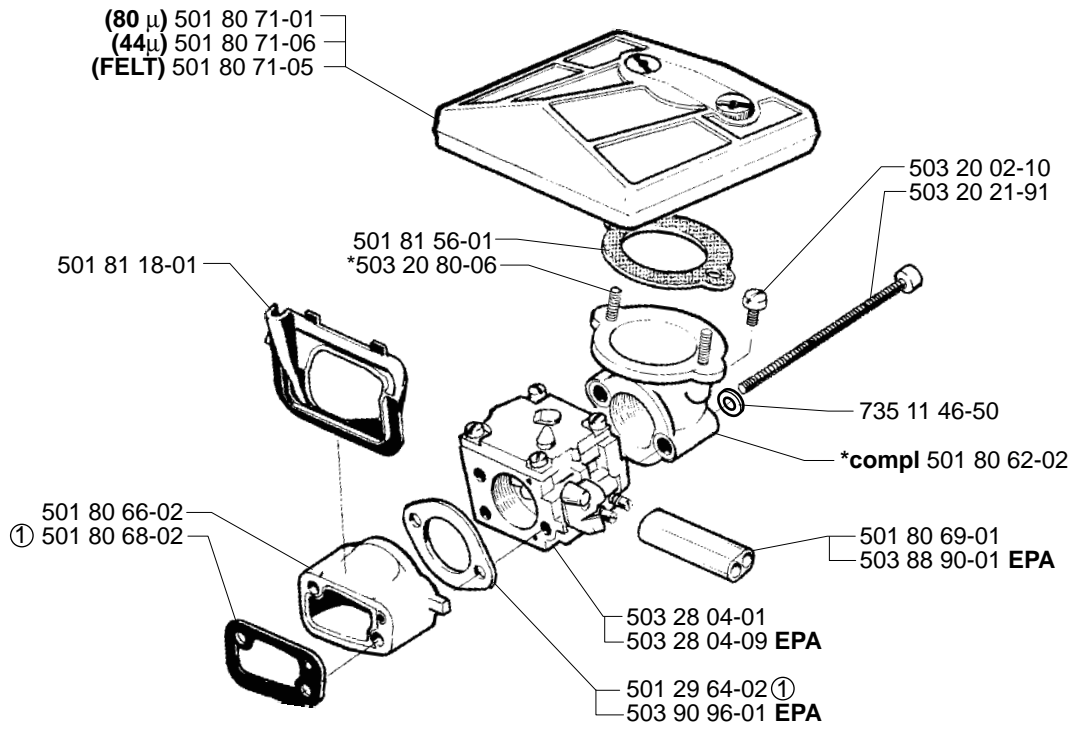
B *compl 503 69 81-01





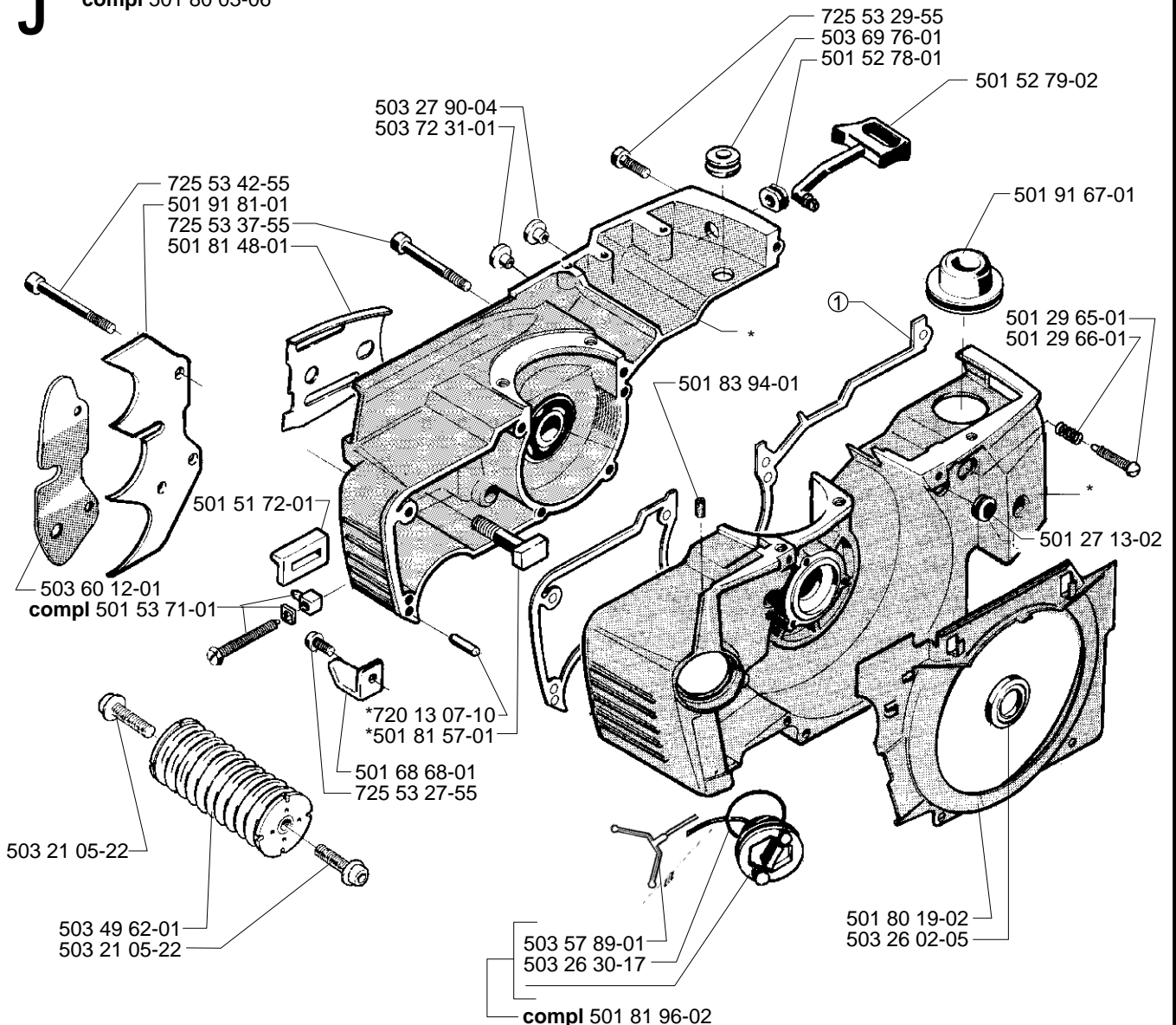
H

*compl 000 00 00-00

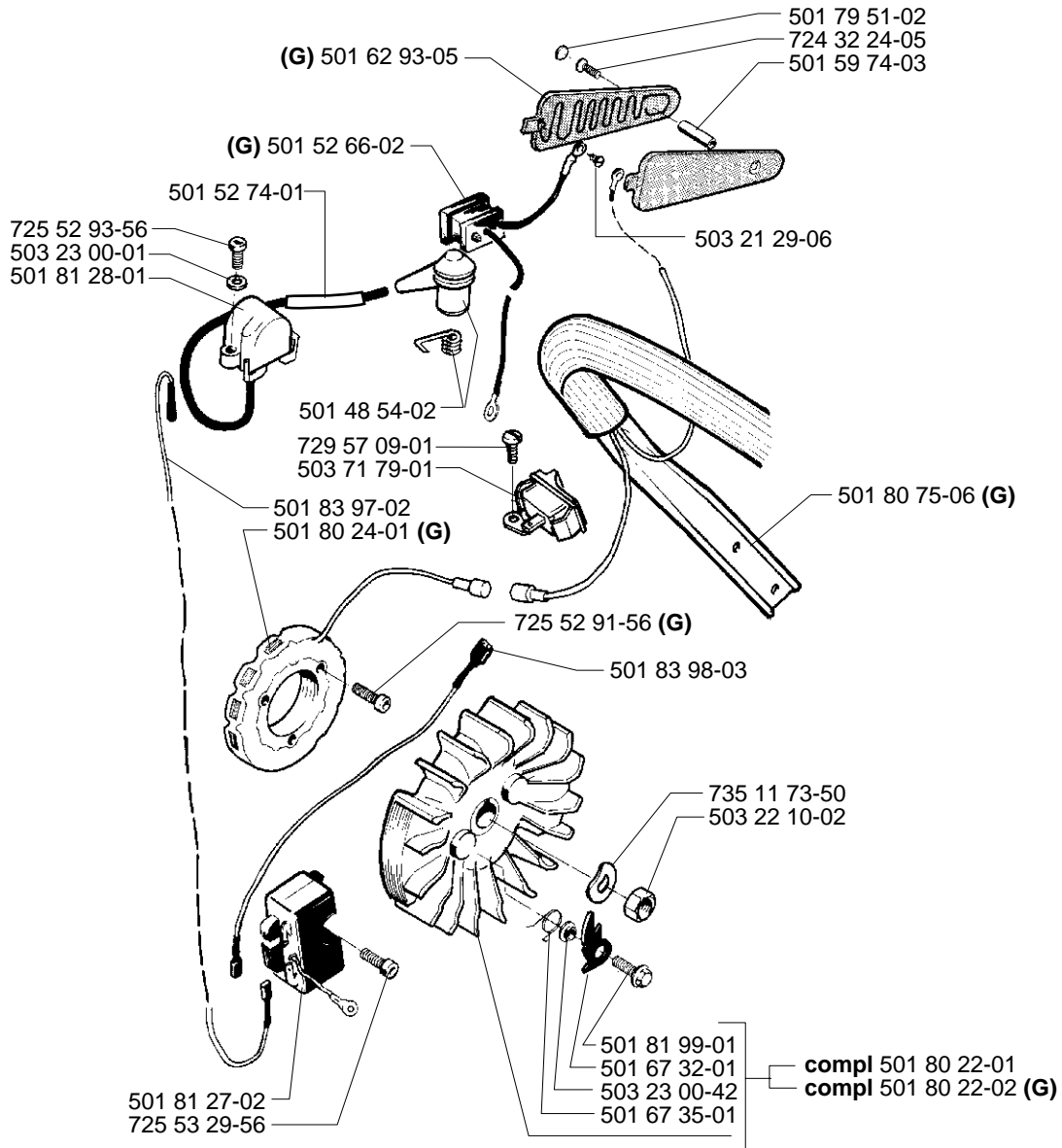


J

*compl 501 80 03-06

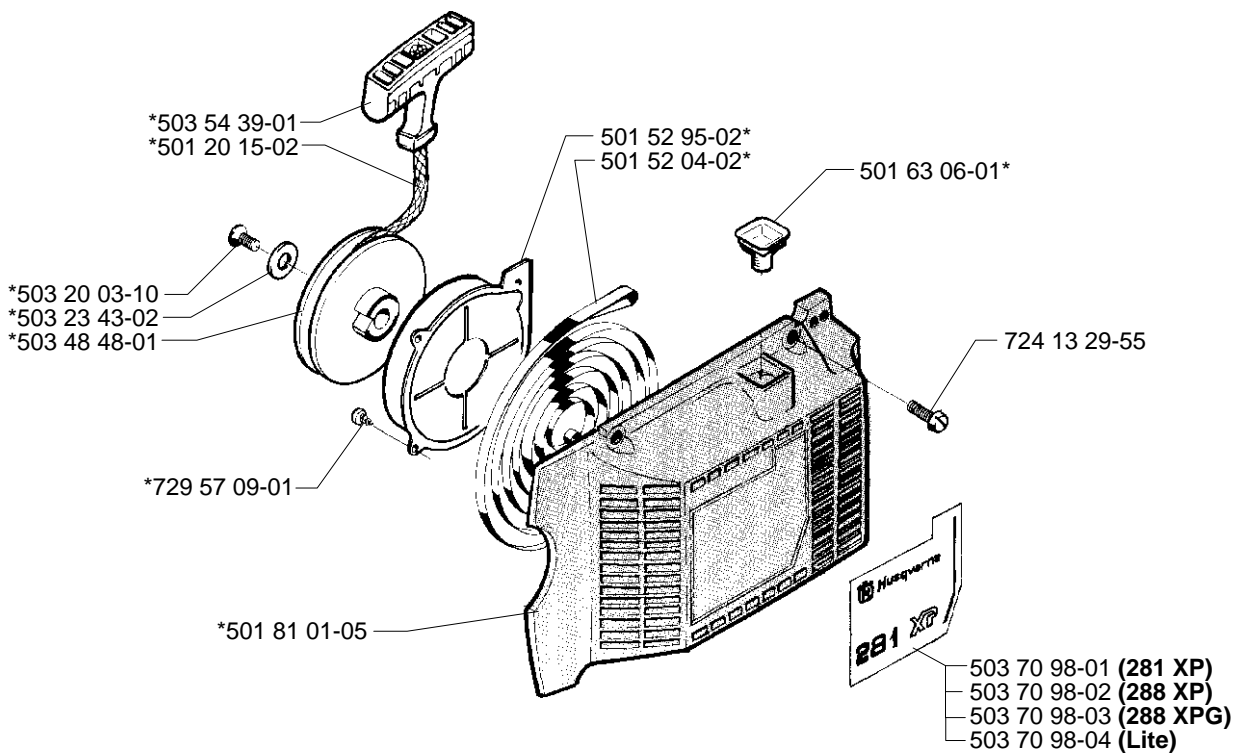


K

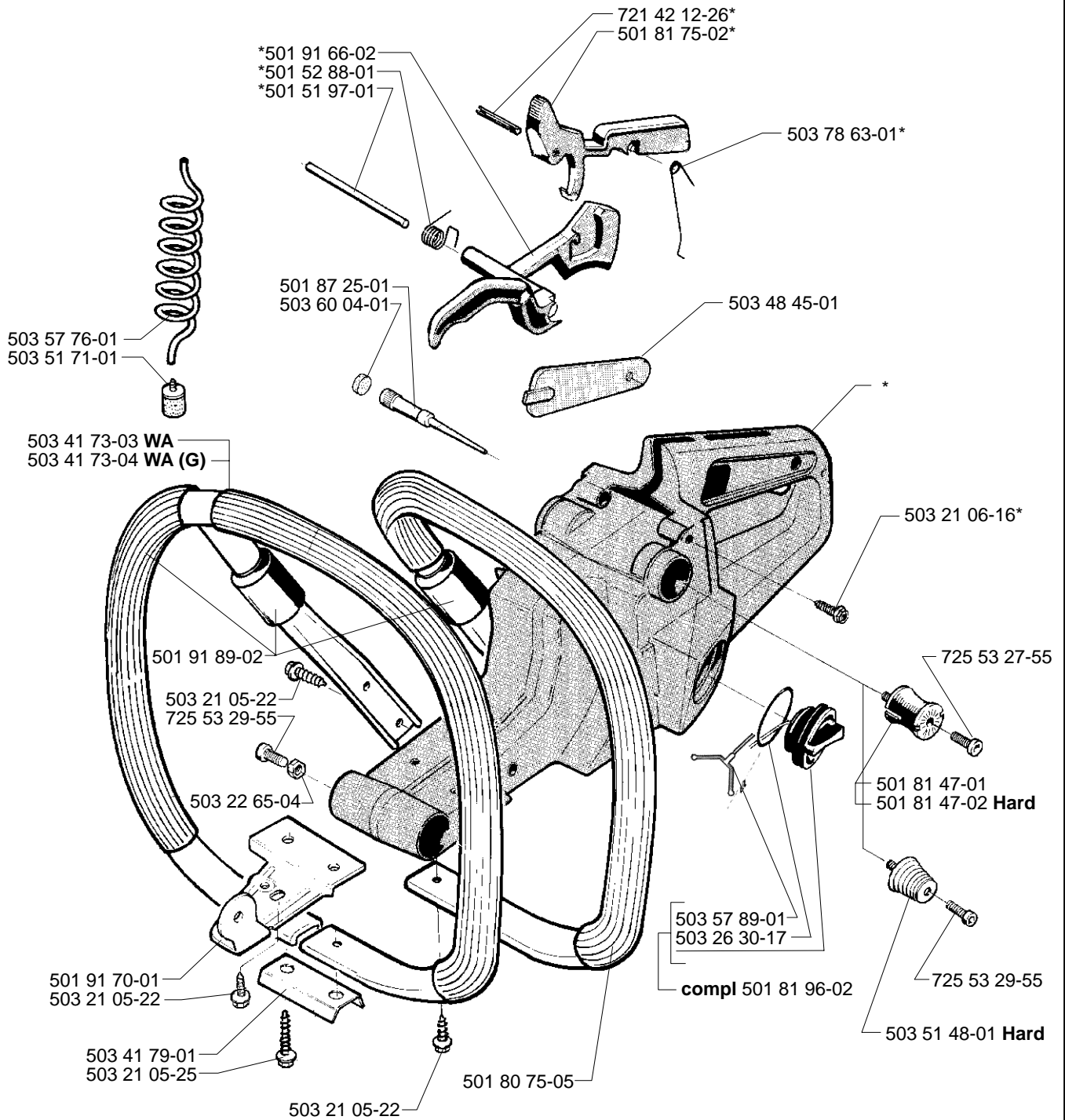


L

*compl 501 81 00-06

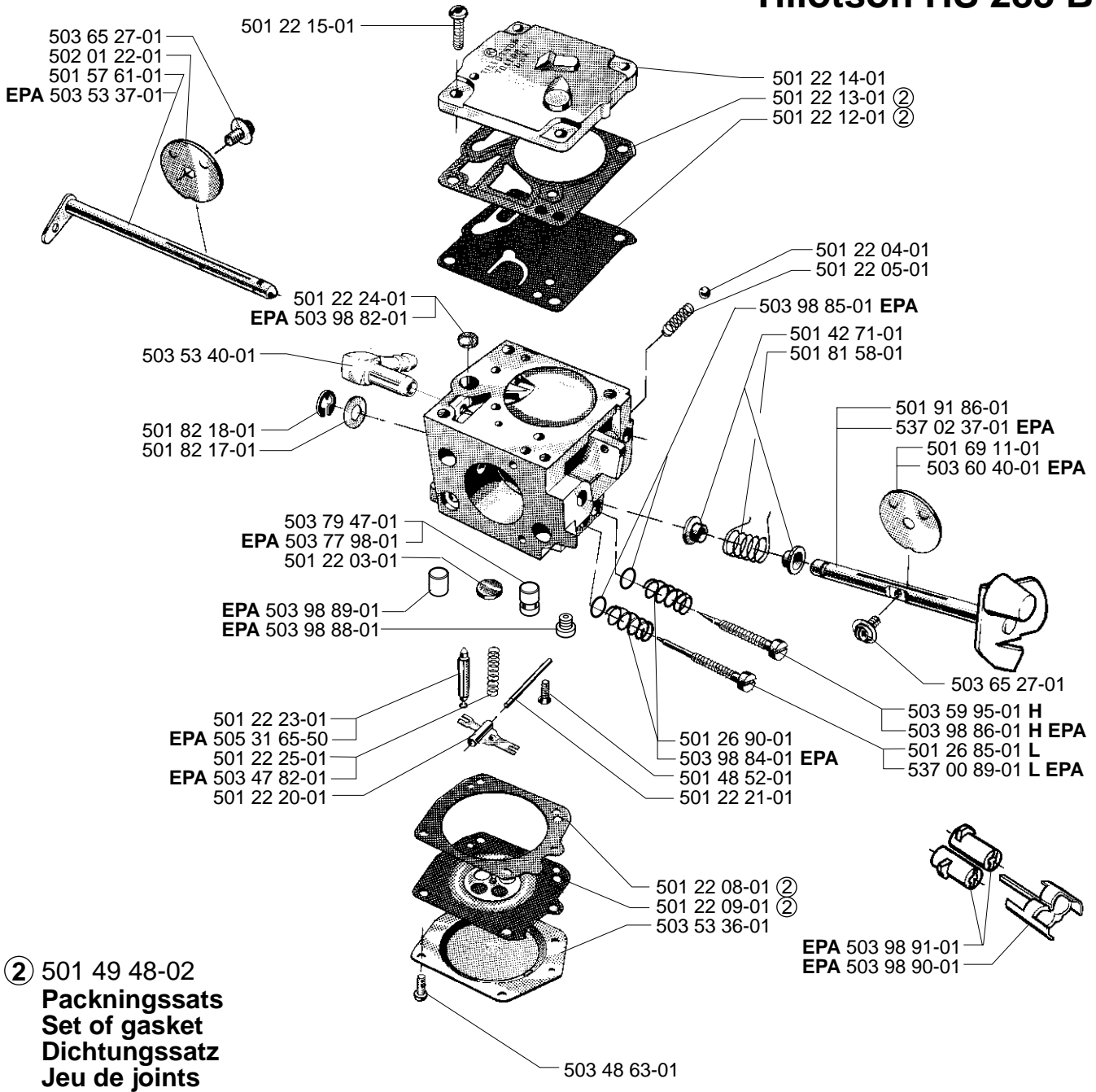


M *compl 501 80 91-05



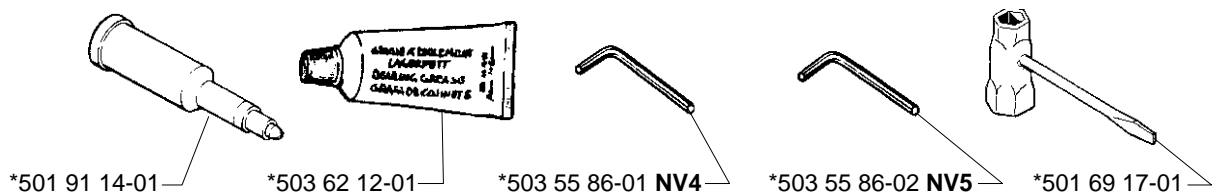
N compl 503 28 04-01
 compl 503 28 04-09 EPA

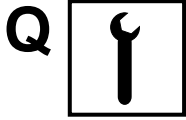
Tillotson HS 228 C
Tillotson HS 283 B



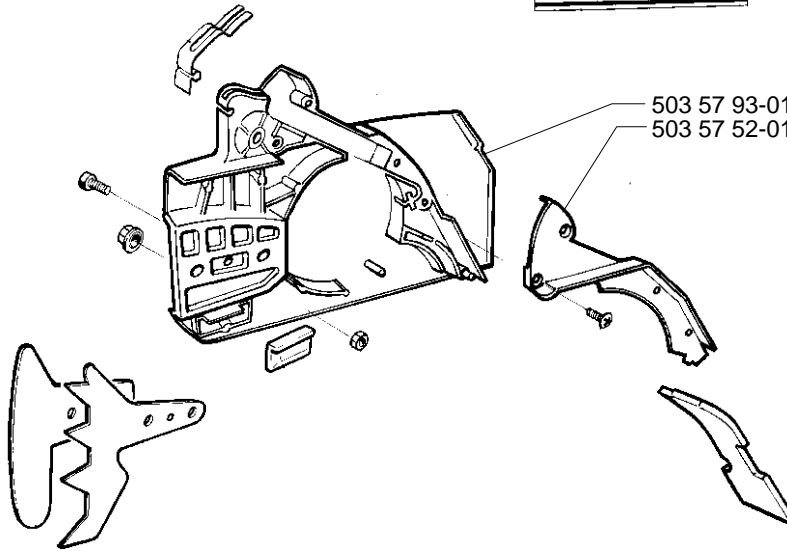
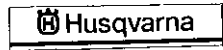
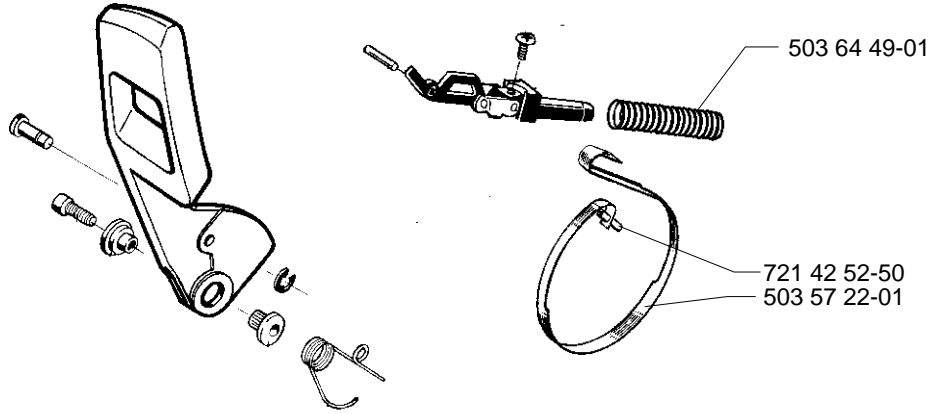
P *compl 503 55 85-01

Tillbehör
Accessories
Accessoires
Zubehöre



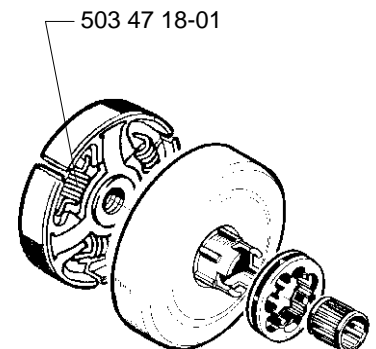
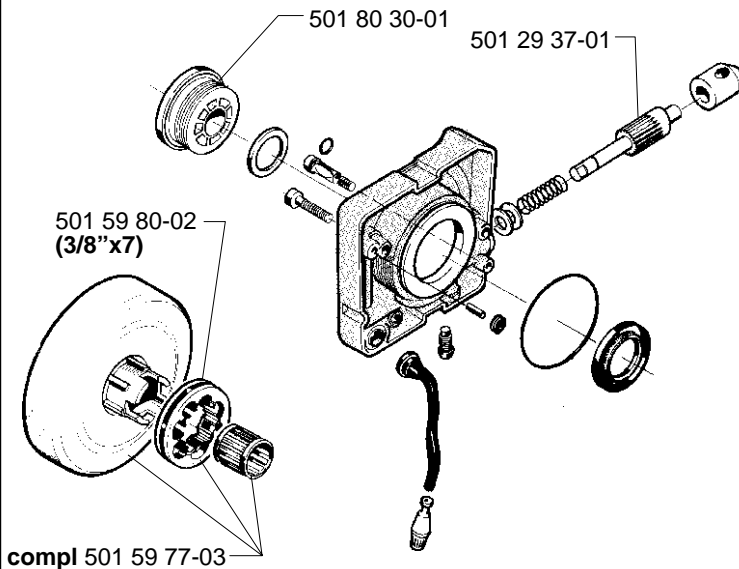


Up to 3340001-281
Up to 3350001-288



Up to 3340001-281
Up to 3350001-288

Up to 4220001-281
Up to 4250001-288



For Husqvarna Parts Call 606-678-9623 or 606-561-4983

MODEL 281, 288, 288 EPA

PART NUMBER	SQUARE NOTE	PART NUMBER	SQUARE NOTE	PART NUMBER	SQUARE NOTE	PART NUMBER	SQUARE NOTE
501 20 15-02	L	501 80 68-02	H 1	503 23 43-02	L	503 70 98-02	L
501 22 03-01	N	501 80 69-01	H	503 23 51-09	F	503 70 98-03	L
501 22 04-01	N	501 80 71-01	H	503 25 30-01	B	503 70 98-04	L
501 22 05-01	N	501 80 71-05	H	503 25 61-01	FG N	503 70 99-01	A
501 22 08-01	N 2	501 80 71-06	H	503 26 02-05	B,J	503 71 53-01	F
501 22 09-01	N 2	501 80 75-05	M	503 26 30-17	M,J	503 71 79-01	K
501 22 12-01	N 2	501 80 75-06	K	503 27 90-04	J	503 72 31-01	J
501 22 13-01	N 2	501 80 91-05	M	503 28 04-01	H,N	503 74 67-02	A
501 22 14-01	N	501 81 00-06	L	503 28 04-09	H,N EPA	503 76 08-01	A
501 22 15-01	N	501 81 01-05	L	503 28 90-19	F	503 77 98-01	N EPA
501 22 20-01	N	501 81 18-01	H	503 28 90-22	F	503 78 63-01	M
501 22 21-01	N	501 81 27-02	K	503 40 56-01	D	503 79 47-01	N
501 22 23-01	N	501 81 28-01	K	503 41 73-03	M	503 80 27-01	A N
501 22 24-01	N	501 81 34-02	1=compl	503 41 73-04	M N	503 88 90-01	H EPA
501 22 25-01	N	501 81 47-01	M	503 41 79-01	M	503 90 74-71	F
501 26 85-01	N	501 81 47-02	M	503 47 18-01	Q	503 90 96-01	H EPA
501 26 90-01	N	501 81 48-01	J	503 47 82-01	N EPA	503 98 74-01	C
501 27 13-02	J	501 81 49-01	G	503 48 45-01	M	503 98 82-01	N EPA
501 28 41-01	B	501 81 56-01	H	503 48 48-01	L	503 98 84-01	N EPA
501 28 85-01	B	501 81 57-01	J	503 48 63-01	N	503 98 85-01	N EPA
501 29 37-01	Q	501 81 58-01	N	503 49 62-01	J	503 98 86-01	N EPA
501 29 38-01	B	501 81 60-03	F EPA	503 50 27-02	F	503 98 88-01	N EPA
501 29 39-02	B	501 81 68-01	E	503 50 29-01	F	503 98 89-01	N EPA
501 29 64-02	H 1	501 81 68-02	E	503 50 60-02	F	503 98 90-01	N EPA
501 29 65-01	J	501 81 75-02	M	503 51 25-01	F	503 98 91-01	N EPA
501 29 66-01	J	501 81 79-01	D,E	503 51 48-01	M	505 31 65-50	N EPA
501 42 71-01	N	501 81 96-02	M,J	503 51 71-01	M	537 00 89-01	N EPA
501 48 52-01	N	501 81 99-01	K	503 52 08-01	A	537 02 37-01	N EPA
501 48 54-02	K	501 82 17-01	N	503 53 36-01	N	720 12 33-51	A
501 49 48-02	N 2=compl	501 82 18-01	N	503 53 37-01	N EPA	720 13 07-10	J
501 51 54-01	C	501 83 94-01	J	503 53 40-01	N	721 42 03-25	B
501 51 72-01	A,J	501 83 97-02	K	503 54 39-01	L	721 42 12-26	M
501 51 97-01	M	501 83 98-03	K	503 55 12-02	C	721 42 52-50	A,Q
501 51 99-01	B	501 87 25-01	M	503 55 12-71	C	724 12 87-59	D
501 52 04-02	L	501 87 47-01	A	503 55 22-01	F	724 13 29-55	L
501 52 66-02	K	501 87 53-01	A	503 55 75-01	B	724 32 24-05	K
501 52 74-01	K	501 91 14-01	P	503 55 85-01	P	725 52 91-56	K
501 52 78-01	J	501 91 66-02	M	503 55 86-02	P	725 52 93-56	K
501 52 79-02	J	501 91 67-01	J	503 56 00-02	C	725 53 27-55	A,M,J
501 52 88-01	M	501 91 70-01	M	503 57 22-01	Q	725 53 29-55	M,J
501 52 95-02	L	501 91 81-01	J	503 57 37-01	A	725 53 29-56	K
501 53 71-01	J	501 91 84-01	A	503 57 52-01	Q	725 53 37-55	J
501 54 41-02	B	501 91 86-01	N	503 57 76-01	M	725 53 42-55	J
501 54 48-01	B	501 91 89-02	M	503 57 89-01	M,J	729 57 09-01	K,L
501 57 61-01	N	502 01 22-01	N	503 57 93-01	Q	735 11 46-50	H
501 59 74-03	K	503 14 51-01	B	503 57 97-01	A	735 11 73-50	K
501 59 77-03	Q	503 20 02-10	H	503 58 99-01	D N	735 31 08-20	A
501 59 80-02	B,Q	503 20 02-16	D,E	503 59 15-01	D	735 88 06-00	G
501 61 52-01	C,F	503 20 03-10	L	503 59 53-02	C	737 44 13-00	F
501 62 93-05	K	503 20 21-91	H	503 59 54-01	C	738 22 03-25	G
501 63 06-01	L	503 20 26-16	A	503 59 95-01	N	740 42 01-00	B
501 63 97-01	C	503 20 26-20	B N	503 60 04-01	M	740 42 24-00	B
501 67 32-01	K	503 20 32-28	C	503 60 12-01	J		
501 67 35-01	K	503 20 38-90	D,E	503 60 13-01	A		
501 68 68-01	J	503 20 80-06	H	503 60 40-01	N N,EPA		
501 69 11-01	N	503 21 05-22	M,J	503 62 12-01	P		
501 69 17-01	P	503 21 05-25	M	503 62 41-01	A		
501 76 80-01	A	503 21 06-16	M	503 62 59-03	B		
501 79 51-02	K	503 21 28-10	A	503 64 49-01	Q		
501 80 03-06	J	503 21 29-06	K	503 65 27-01	N		
501 80 13-02	F 1	503 21 60-25	F	503 66 28-12	C		
501 80 19-02	J	503 22 00-01	A	503 66 28-13	C		
501 80 22-01	K	503 22 10-02	K	503 69 76-01	J		
501 80 22-02	K	503 22 24-01	A	503 69 81-01	B		
501 80 24-01	K	503 22 65-04	M N	503 69 82-01	B		
501 80 30-01	Q	503 23 00-01	K	503 70 15-02	B N		
501 80 59-02	C	503 23 00-19	B	503 70 38-01	A		
501 80 59-04	C	503 23 00-42	K	503 70 39-01	A		
501 80 62-02	H	503 23 00-58	B	503 70 40-01	A		
501 80 66-02	H	503 23 10-02	B	503 70 98-01	L		

1 = 501 81 34-02
2 = 501 49 48-02

Set of gaskets, Dichtungssatz,
Jeu de joints, Juego de juntas,
Packningssats

N = New part, Neues teil,
Nouvelle piece, Nueva pieza
Ny detalj

EPA = Environmental Protection Agency
(for USA only)