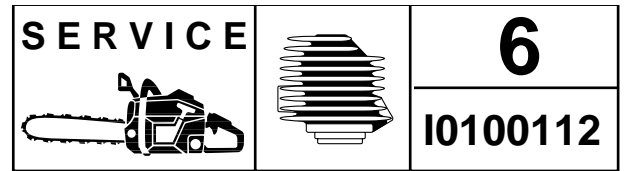


For Husqvarna Parts Call 606-678-9623 or 606-561-4983



IPL, 357, 359, 357 EPA, 359 EPA, 2001-10, 106 26 06-62

357, 359, 357 EPA, 359 EPA

Spare parts

Replaces

Ersatzteile

Ersetzt

Pièces détachées

Remplace

Reserve onderdelen

Vervangt

Repuestos

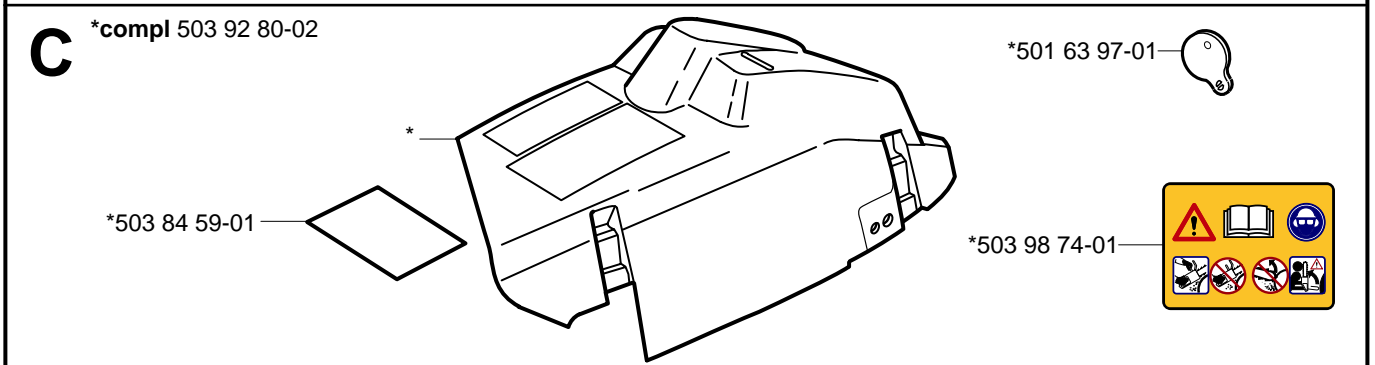
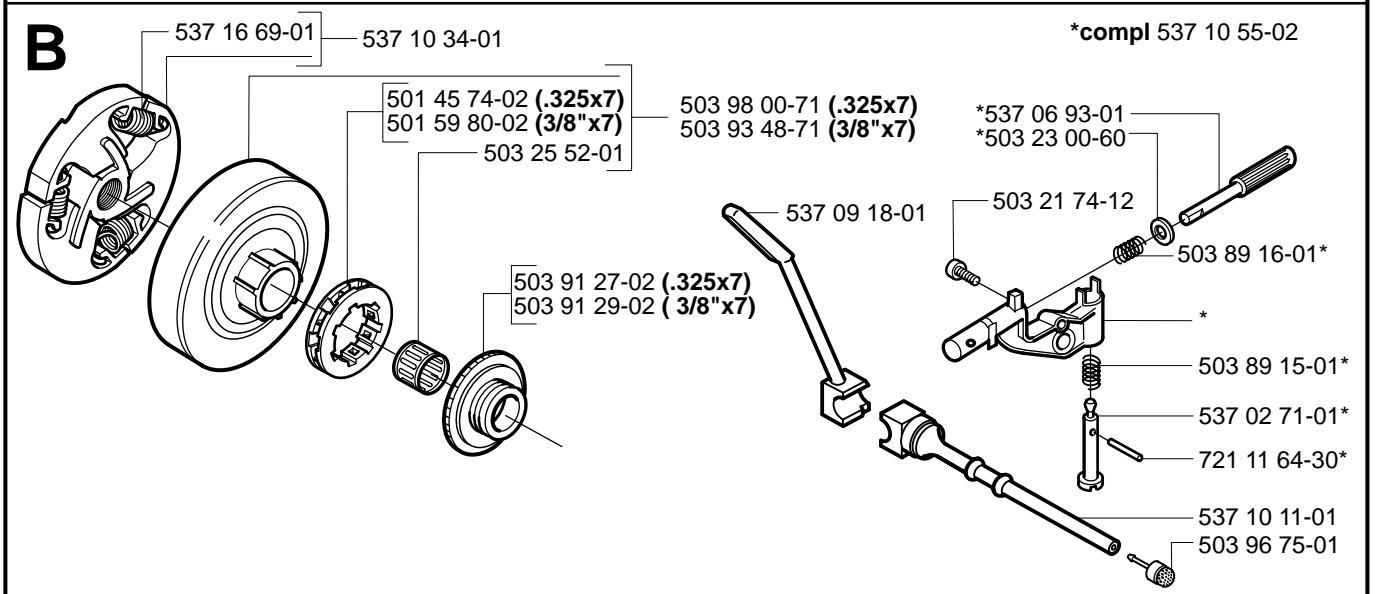
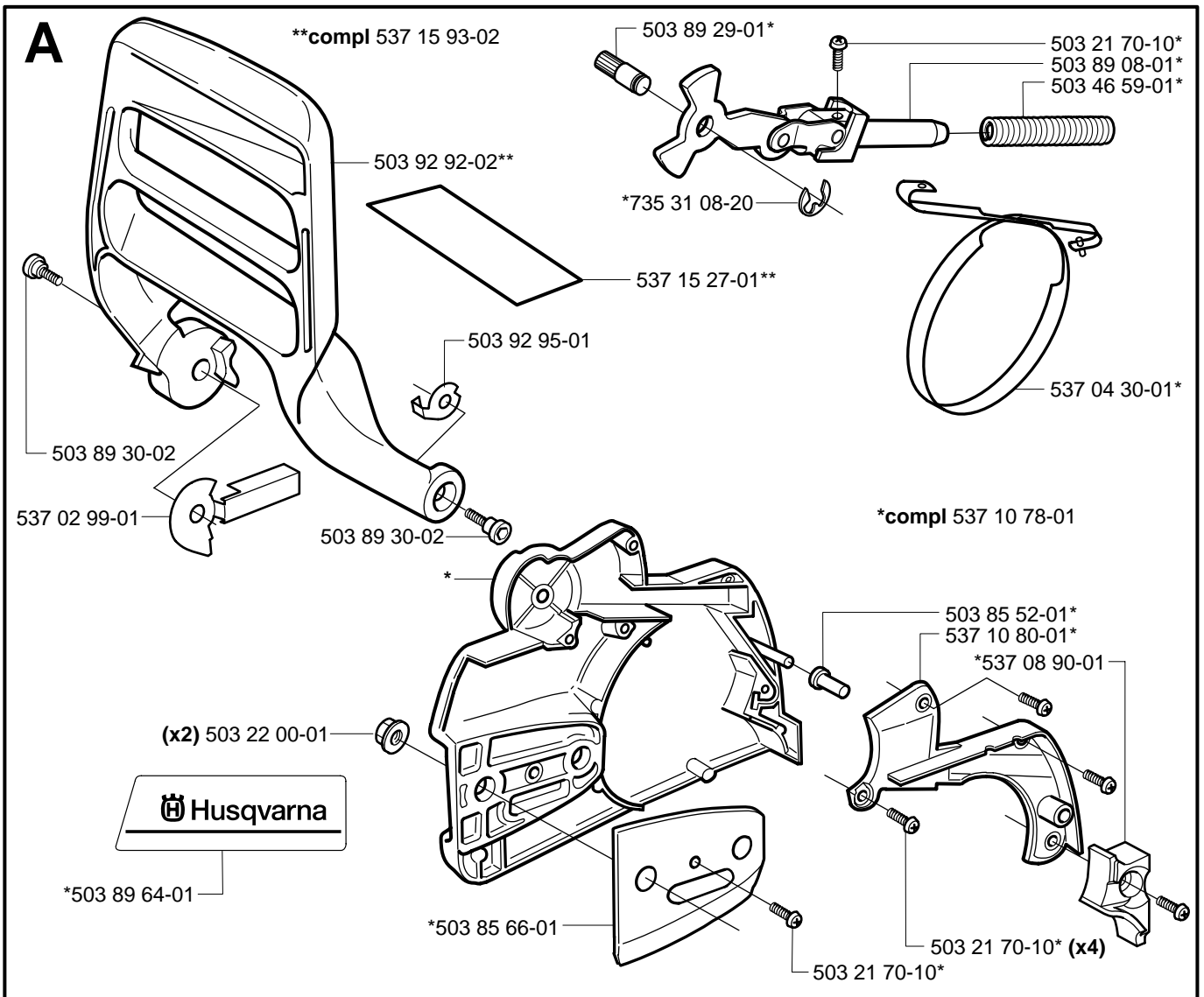
Reemplaza

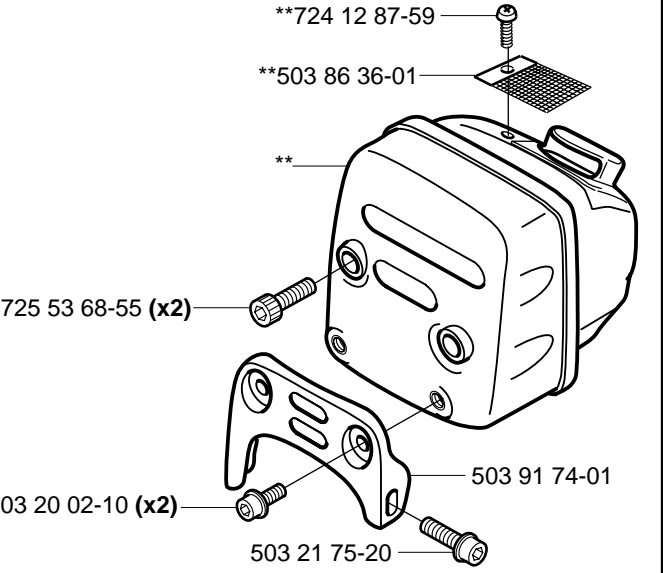
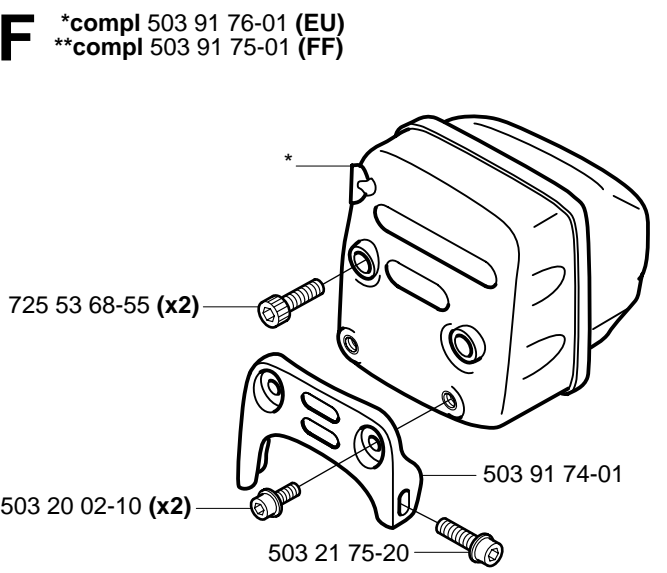
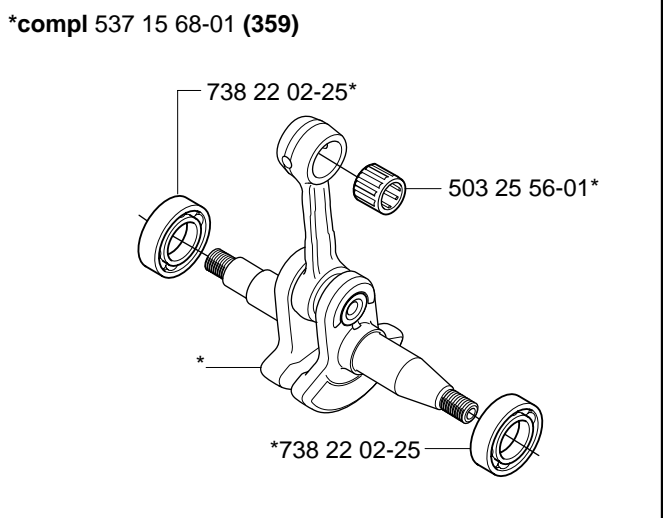
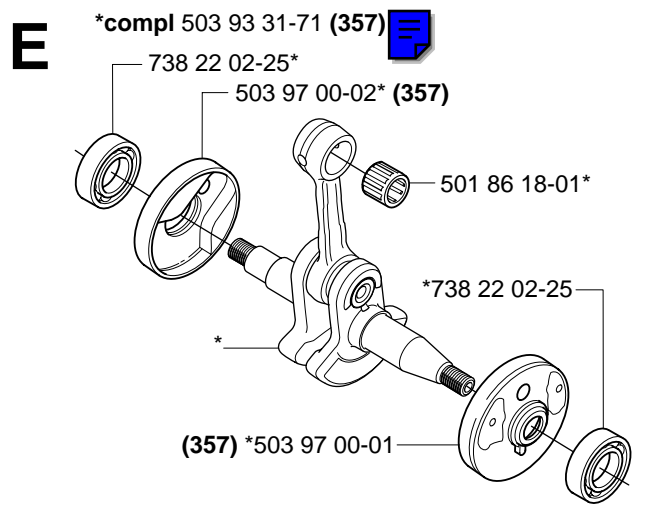
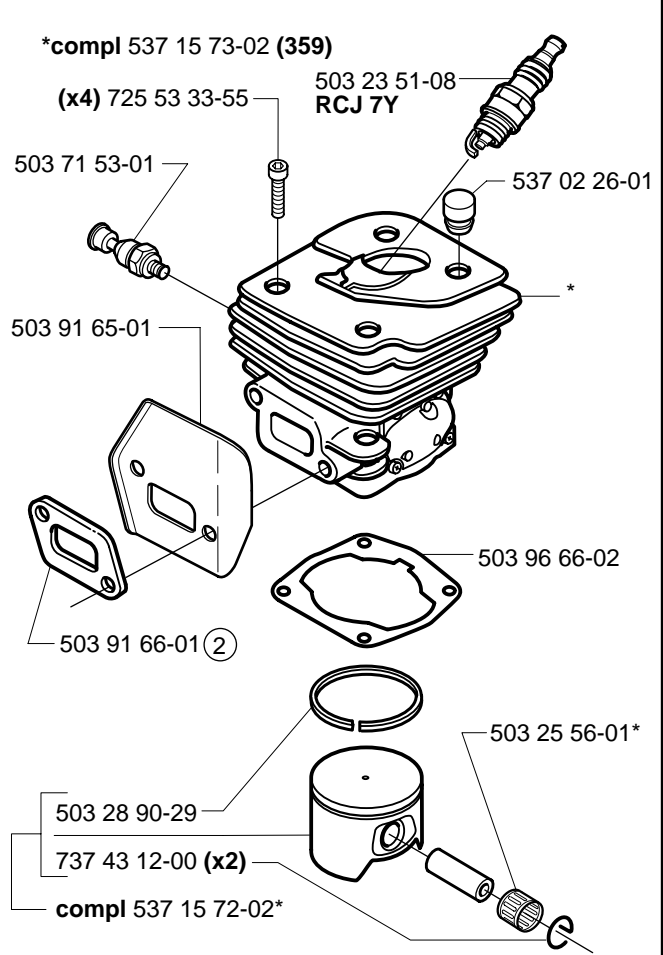
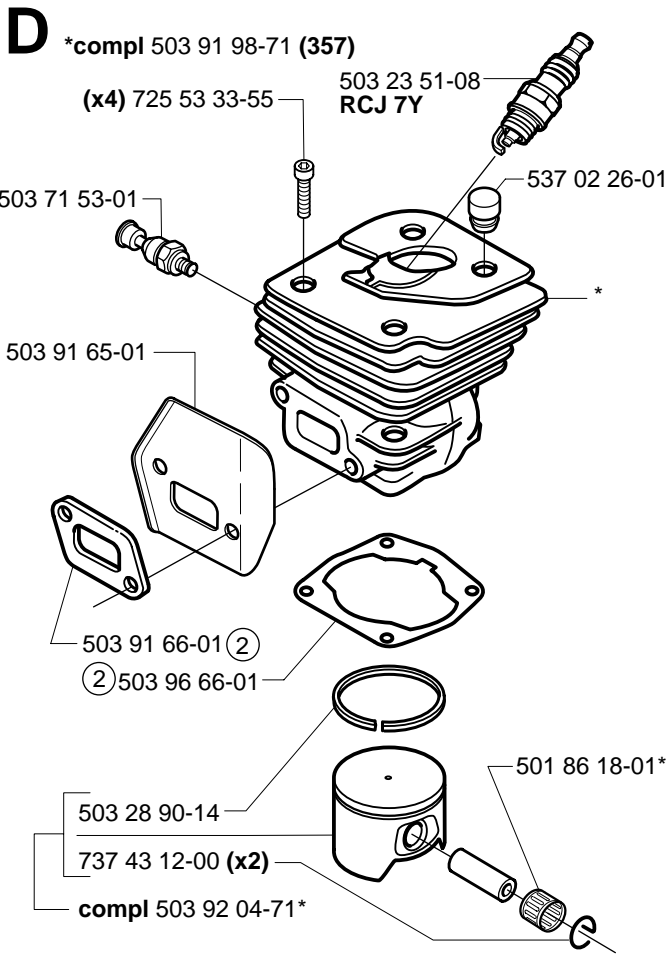
Reservdelar

Ersätter

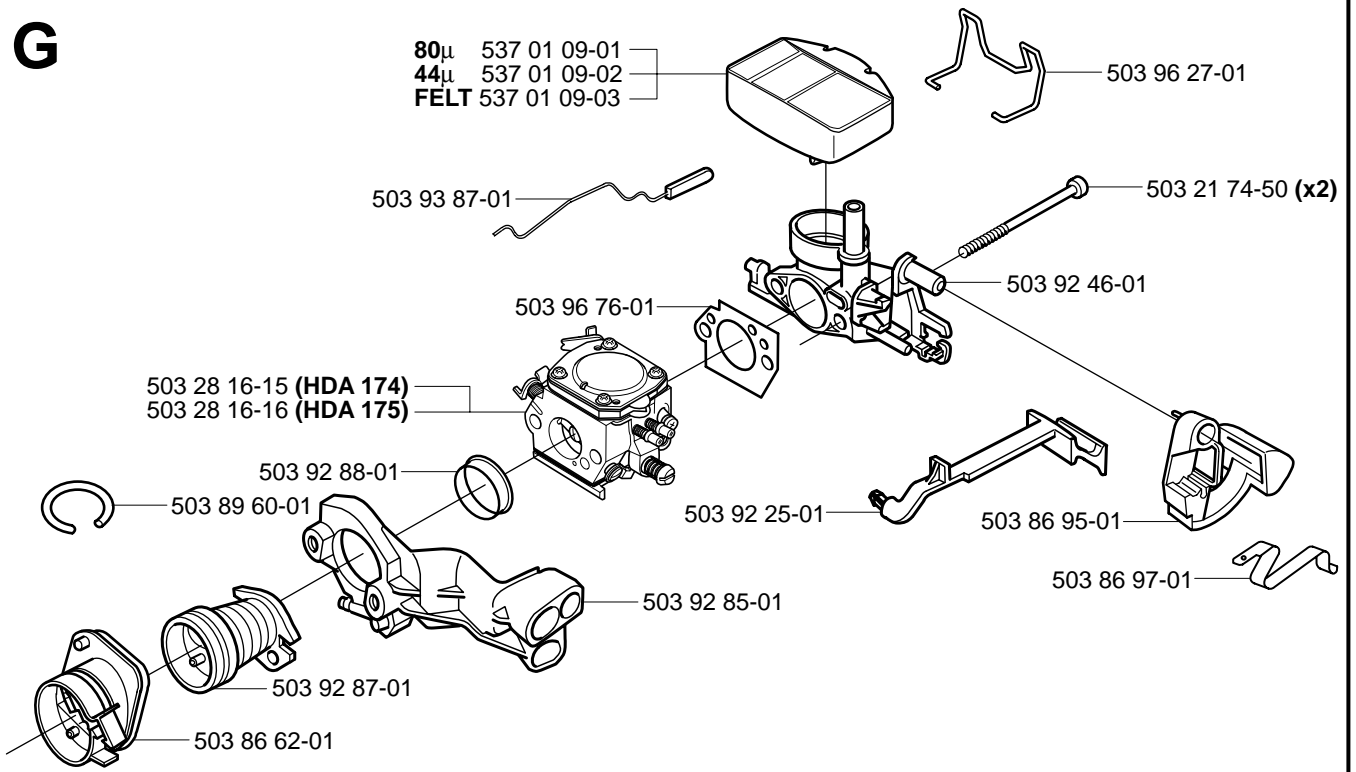
106 26 06-61

106 26 06-62

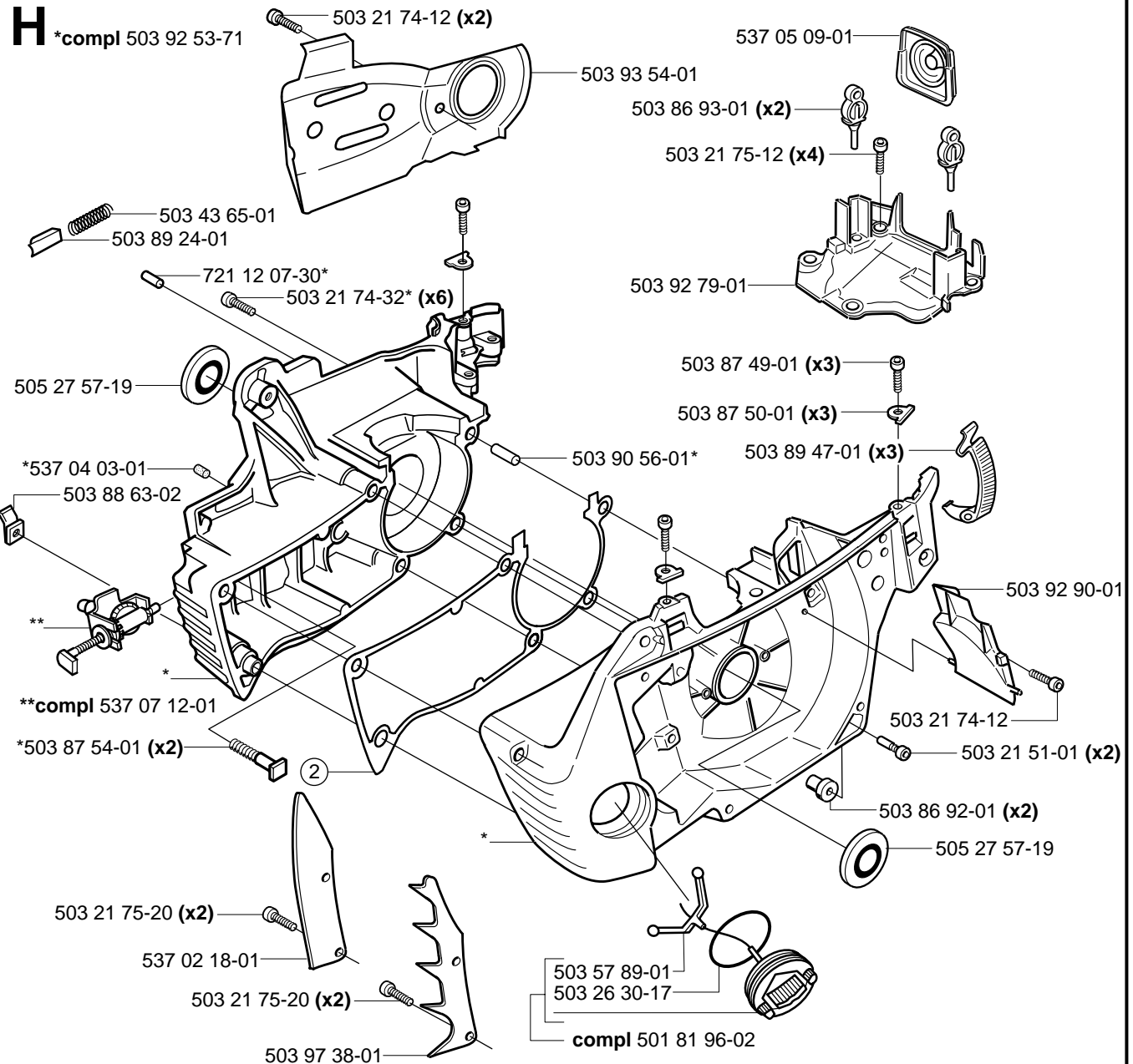




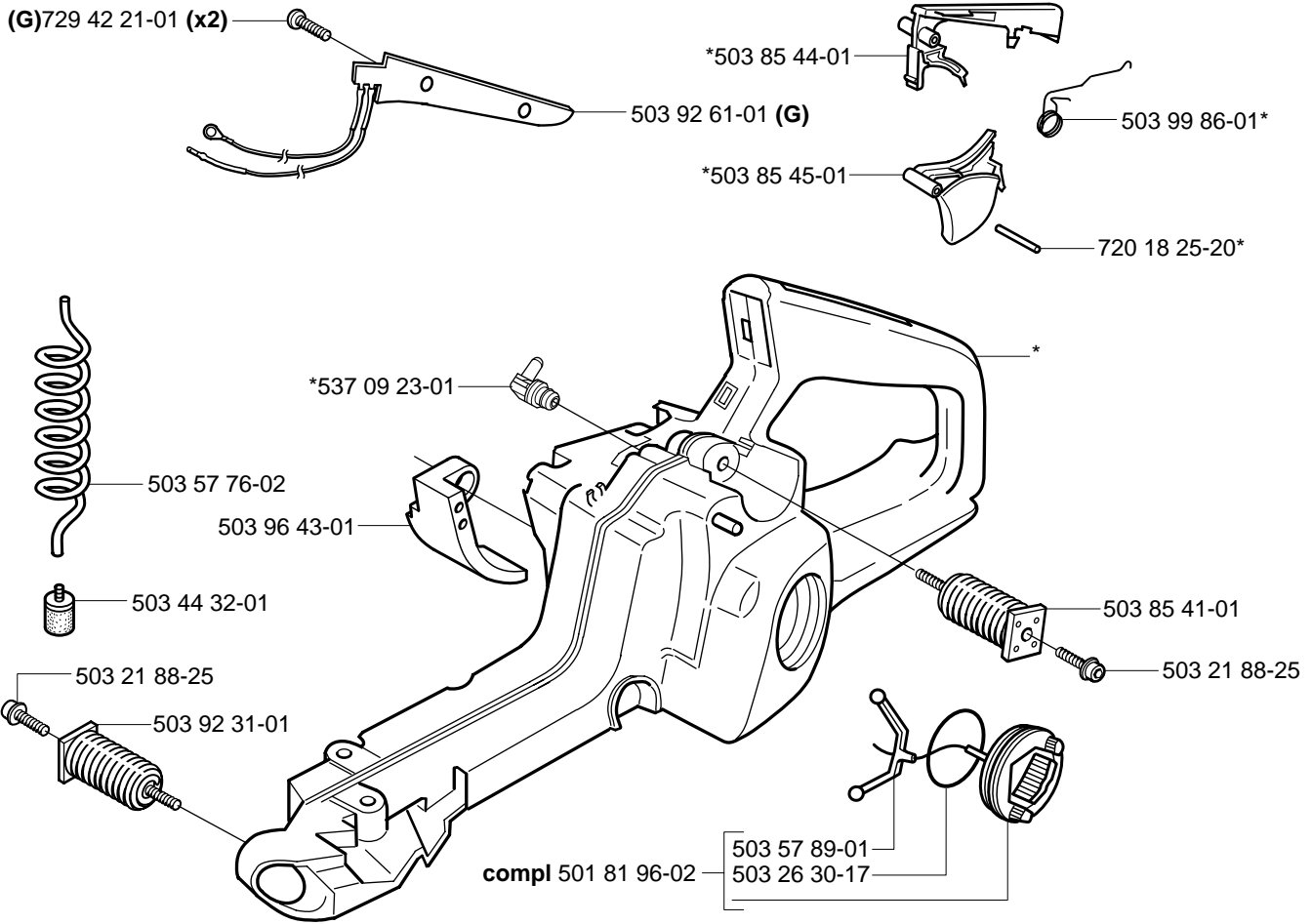
G



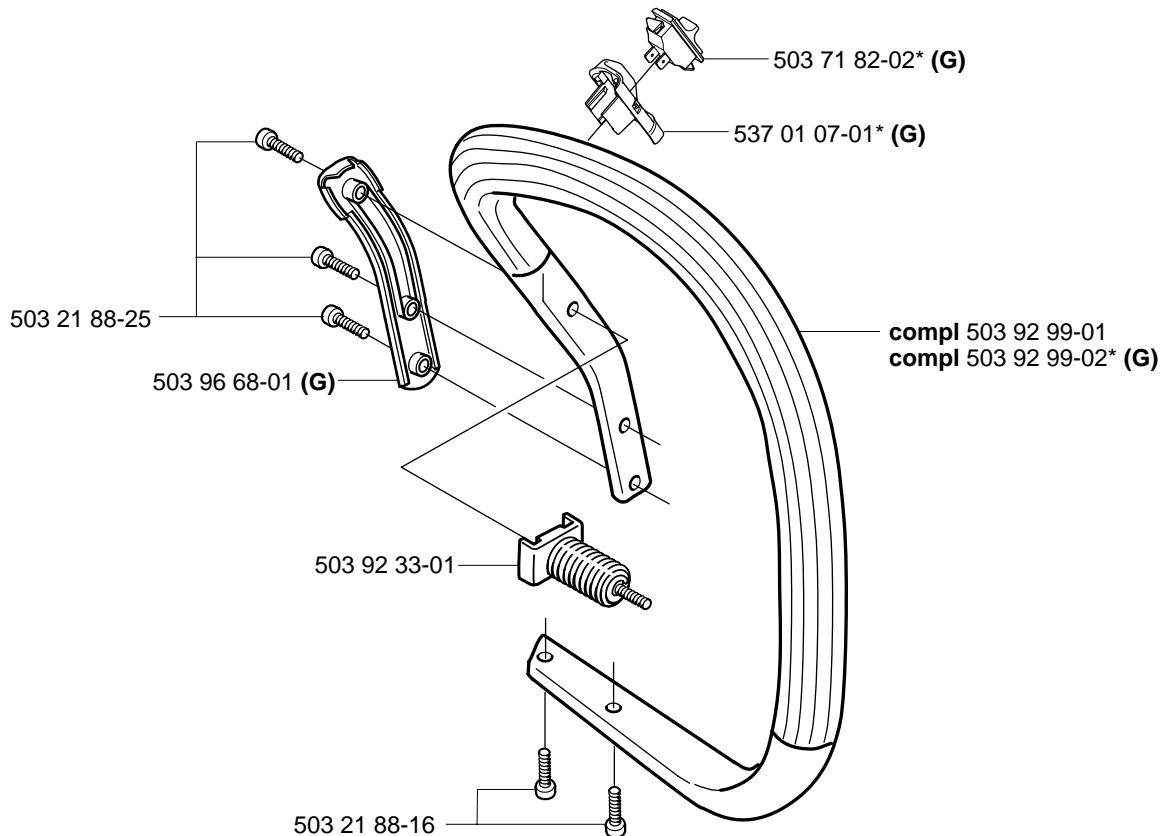
H

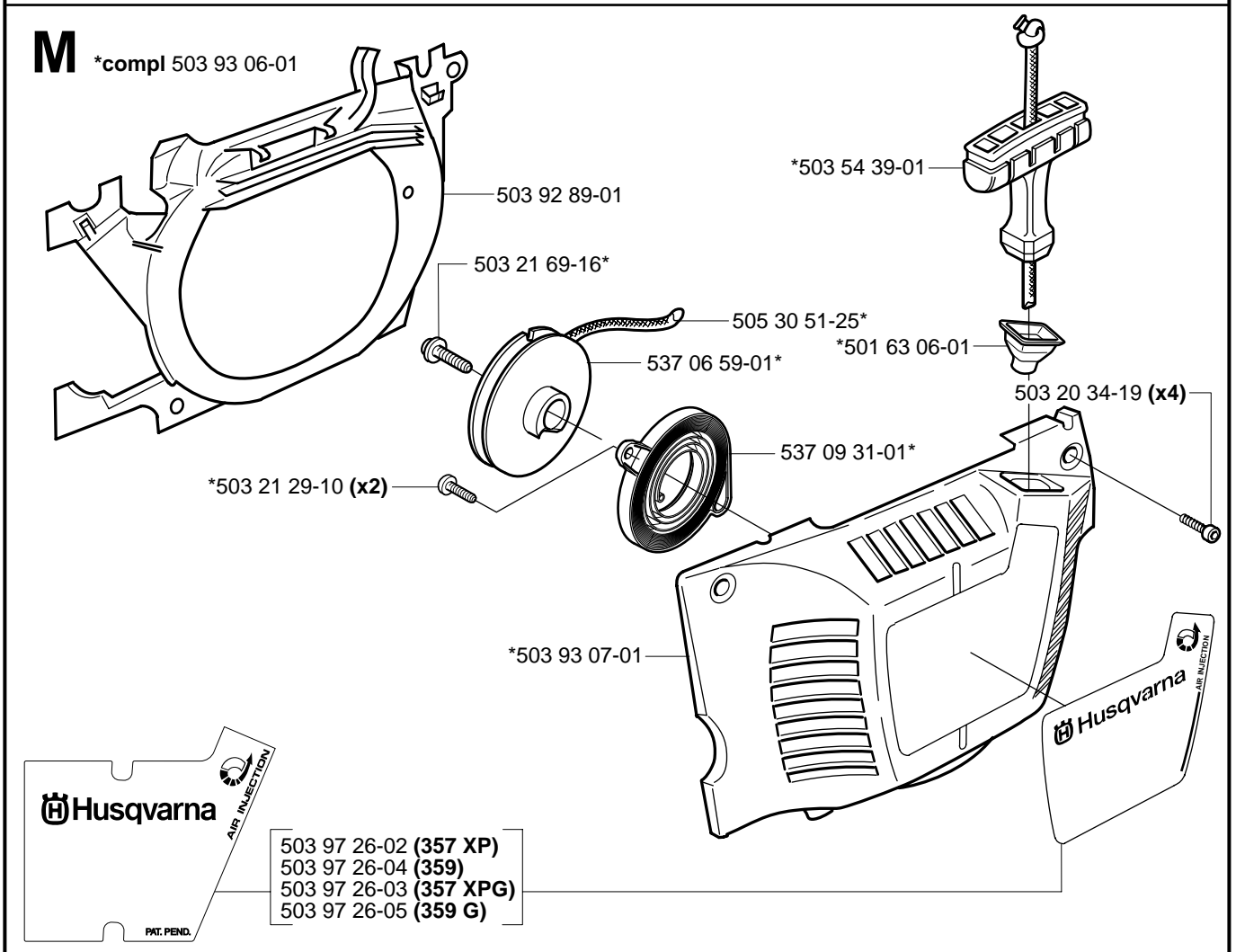
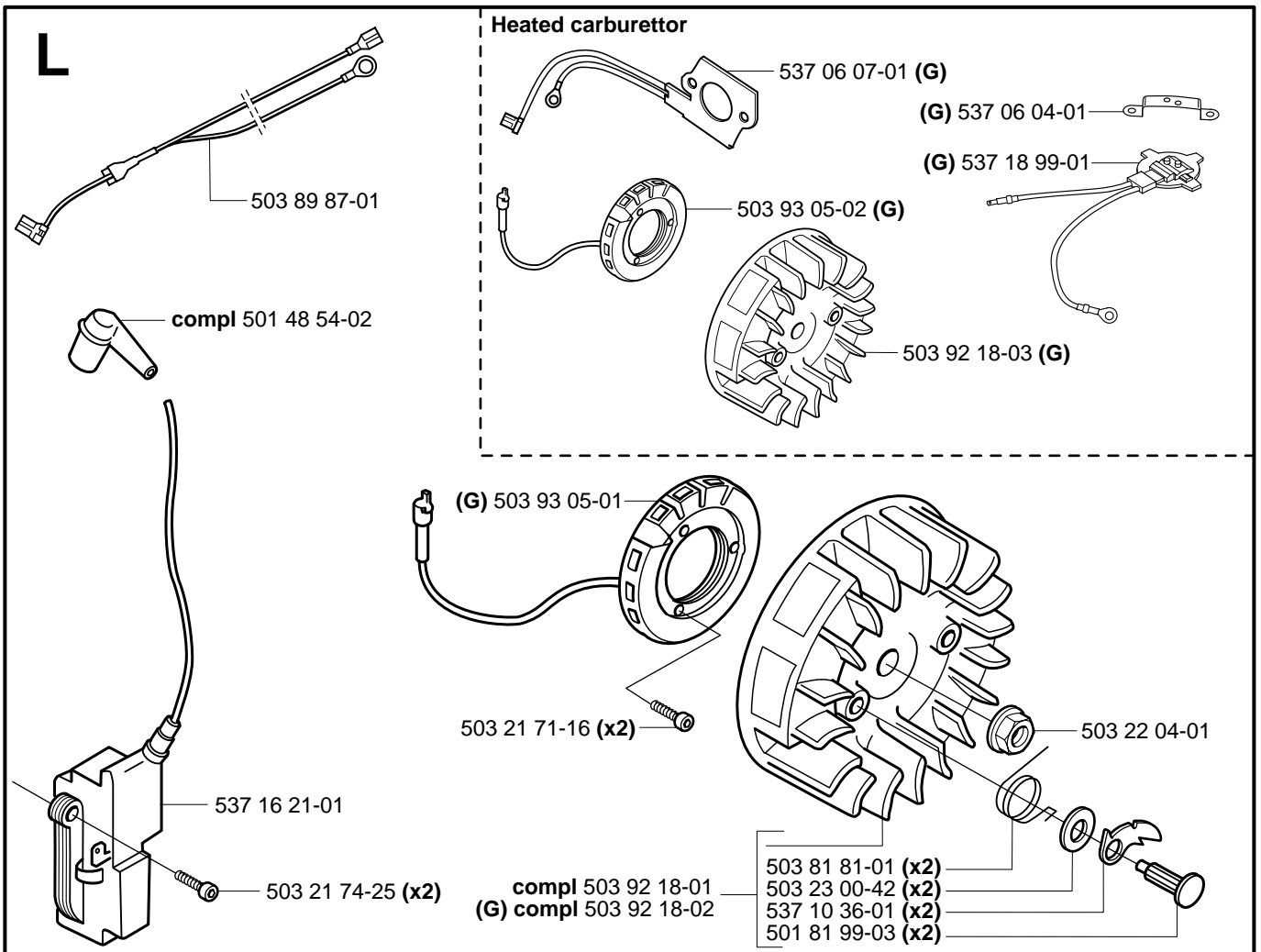


J *compl 503 92 30-71

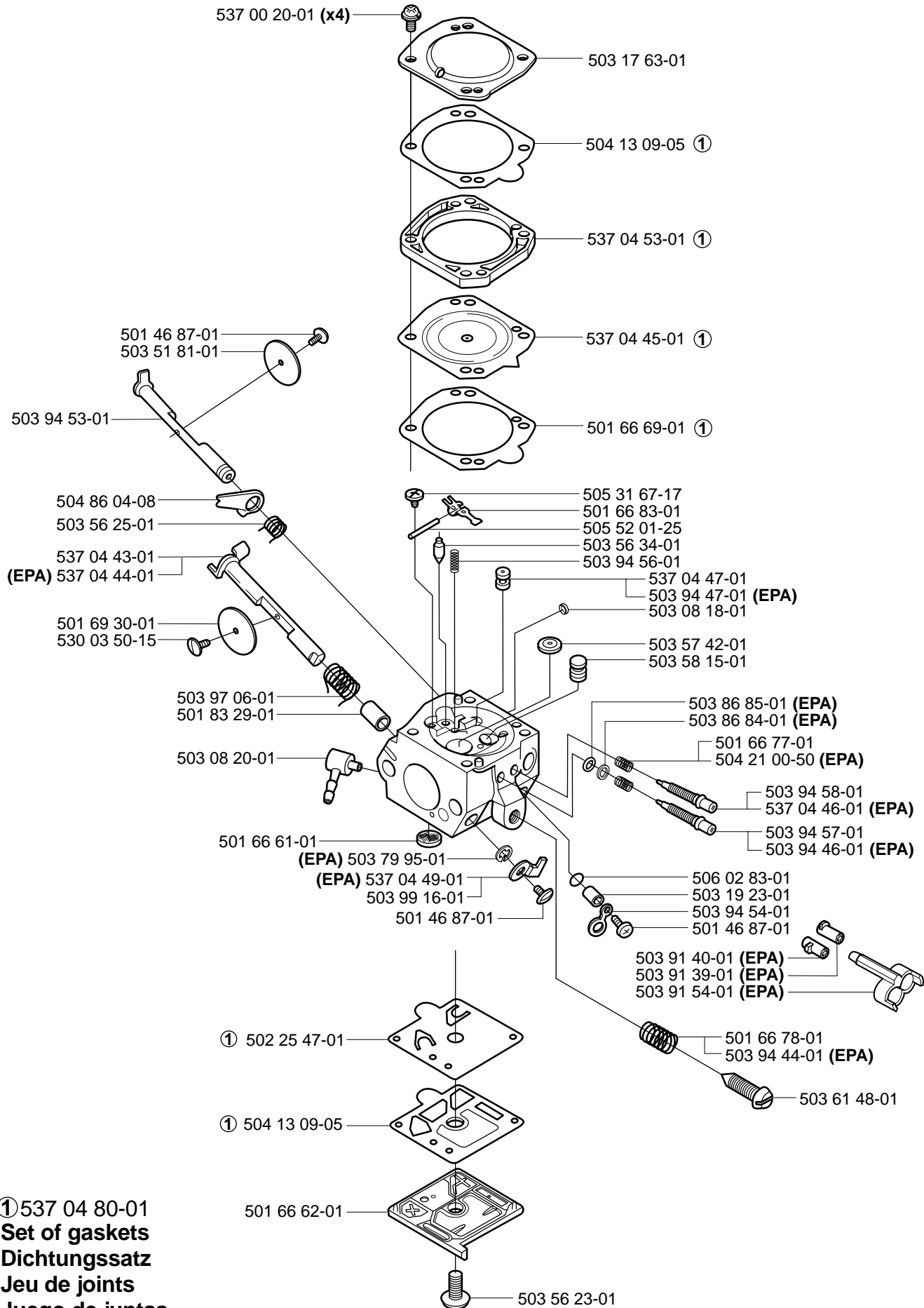


K





N compl 503 28 16-15 Walbro HDA 174
 compl 503 28 16-16 Walbro HDA 175 (EPA)

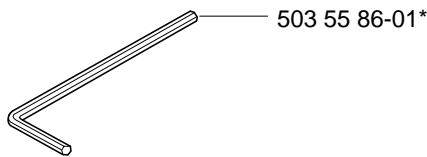
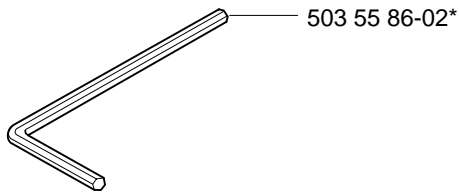
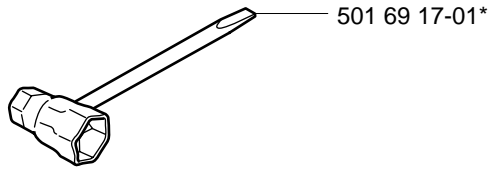


① 537 04 80-01
Set of gaskets
Dichtungssatz
Jeu de joints
Juego de juntas
Packningssats

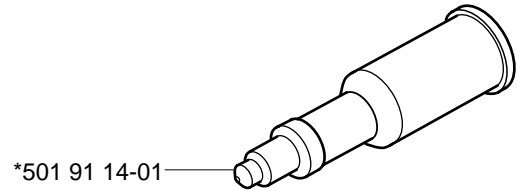
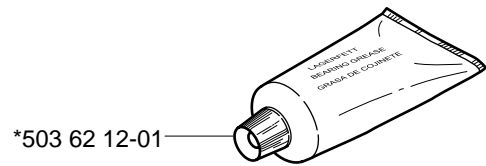
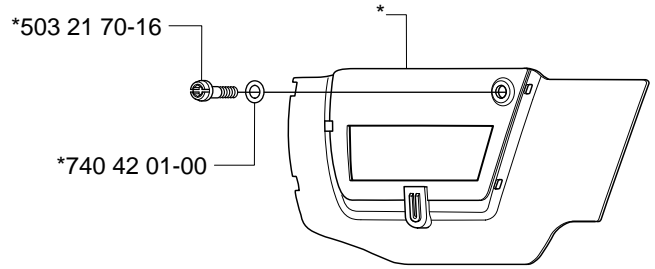
P

*compl 503 55 85-01

Accessories
Zubehöre
Accessories
Accesorios
Tillbehör



*compl 503 97 88-01 WINTER KIT



For Husqvarna Parts Call 606-678-9623 or 606-561-4983

MODEL 357, 359, 357 EPA, 359 EPA

PART NUMBER	SQUARE NOTE	PART NUMBER	SQUARE NOTE	PART NUMBER	SQUARE NOTE	PART NUMBER	SQUARE NOTE
501 45 74-02	B	503 79 95-01	N EPA,N	503 93 54-01	H	537 10 34-01	B
501 46 87-01	N	503 81 81-01	L	503 93 87-01	G	537 10 36-01	L
501 48 54-02	L	503 84 59-01	C N	503 94 44-01	N EPA	537 10 55-02	B
501 59 80-02	B	503 85 41-01	J	503 94 46-01	N EPA	537 10 78-01	A
501 63 06-01	M	503 85 44-01	J	503 94 47-01	N EPA	537 10 80-01	A
501 63 97-01	C	503 85 45-01	J	503 94 53-01	N	537 15 27-01	A N
501 66 61-01	N	503 85 52-01	A	503 94 54-01	N	537 15 68-01	E
501 66 62-01	N	503 85 66-01	A	503 94 56-01	N	537 15 72-02	D
501 66 69-01	N 1,N	503 86 36-01	F	503 94 57-01	N	537 15 73-02	D
501 66 77-01	N	503 86 62-01	G	503 94 58-01	N N	537 15 93-02	A N
501 66 78-01	N	503 86 84-01	N EPA	503 96 27-01	G	537 16 21-01	L N
501 66 83-01	N N	503 86 85-01	N EPA	503 96 43-01	J	537 16 69-01	B N
501 69 17-01	P	503 86 92-01	H	503 96 66-01	D 2	537 18 99-01	L N
501 69 30-01	N	503 86 93-01	H	503 96 66-02	D N	720 18 25-20	J N
501 81 96-02	J,H	503 86 95-01	G	503 96 68-01	K	721 11 64-30	B
501 81 99-03	L	503 86 97-01	G	503 96 75-01	B N	721 12 07-30	H N
501 83 29-01	N	503 87 49-01	H	503 96 76-01	G	724 12 87-59	F
501 86 18-01	D,E	503 87 50-01	H	503 97 00-01	E	725 53 33-55	D
501 91 14-01	P	503 87 54-01	H	503 97 00-02	E N	725 53 68-55	F
502 25 47-01	N 1	503 88 63-02	H	503 97 06-01	N	729 42 21-01	J
503 08 18-01	N	503 89 08-01	A	503 97 26-02	M	735 31 08-20	A
503 08 20-01	N	503 89 15-01	B	503 97 26-03	M	737 43 12-00	D
503 17 63-01	N N	503 89 16-01	B	503 97 26-04	M	738 22 02-25	E
503 19 23-01	N	503 89 24-01	H	503 97 26-05	M	740 42 01-00	P
503 20 02-10	F	503 89 29-01	A	503 97 38-01	H		
503 20 34-19	M	503 89 30-02	A	503 97 85-01		2=compl	
503 21 29-10	M	503 89 47-01	H	503 97 88-01	P		
503 21 51-01	H	503 89 60-01	G	503 98 00-71	B		
503 21 69-16	M N	503 89 64-01	A	503 98 74-01	C		
503 21 70-10	A	503 89 87-01	L	503 99 16-01	N		
503 21 71-16	L,P	503 90 56-01	H N	503 99 86-01	J		
503 21 74-12	B,H	503 91 27-02	B	504 13 09-05	N 1		
503 21 74-25	L	503 91 29-02	B	504 21 00-50	N EPA		
503 21 74-32	H	503 91 39-01	N EPA	504 86 04-08	N		
503 21 74-50	G	503 91 40-01	N EPA	505 27 57-19	H		
503 21 75-12	H	503 91 54-01	N EPA	505 30 51-25	M		
503 21 75-20	F,H	503 91 65-01	D	505 31 67-17	N		
503 21 88-16	K	503 91 66-01	D 2	505 52 01-25	N		
503 21 88-25	J,K	503 91 74-01	F	506 02 83-01	N		
503 22 00-01	A	503 91 75-01	F	530 03 50-15	N		
503 22 04-01	L	503 91 76-01	F	537 00 20-01	N		
503 23 00-42	L	503 91 98-71	D	537 01 07-01	K N		
503 23 00-60	B	503 92 04-71	D	537 01 09-01	G		
503 23 51-08	D	503 92 18-01	L	537 01 09-02	G		
503 25 52-01	B	503 92 18-02	L	537 01 09-03	G		
503 25 56-01	D,E	503 92 18-03	L	537 02 18-01	H		
503 26 30-17	H,J	503 92 25-01	G	537 02 26-01	D		
503 28 16-15	G,N	503 92 30-71	J	537 02 71-01	B		
503 28 16-16	G,N EPA	503 92 31-01	J	537 02 99-01	A		
503 28 90-14	D	503 92 33-01	K	537 04 03-01	H		
503 28 90-29	D	503 92 46-01	G	537 04 30-01	A		
503 43 65-01	H	503 92 53-71	H	537 04 43-01	N		
503 44 32-01	J	503 92 61-01	J	537 04 44-01	N EPA		
503 46 59-01	A	503 92 79-01	H	537 04 45-01	N 1		
503 51 81-01	N	503 92 80-02	C N	537 04 46-01	N EPA		
503 54 39-01	M	503 92 85-01	G	537 04 47-01	N		
503 55 85-01	P	503 92 87-01	G	537 04 49-01	N EPA,N		
503 55 86-01	P	503 92 88-01	G	537 04 53-01	N 1		
503 55 86-02	P	503 92 89-01	M	537 04 80-01	N 1=compl		
503 56 23-01	N	503 92 90-01	H	537 05 09-01	H		
503 56 25-01	N	503 92 92-02	A N	537 06 04-01	L		
503 56 34-01	N	503 92 95-01	A	537 06 07-01	L		
503 57 42-01	N N	503 92 99-01	K	537 06 59-01	M		
503 57 76-02	J	503 92 99-02	K N	537 06 93-01	B		
503 57 89-01	H,J	503 93 05-01	L	537 07 12-01	H		
503 58 15-01	N	503 93 05-02	L	537 08 90-01	A		
503 61 48-01	N	503 93 06-01	M	537 09 18-01	B		
503 62 12-01	P	503 93 07-01	M	537 09 23-01	J N		
503 71 53-01	D	503 93 31-71	E	537 09 31-01	M		
503 71 82-02	K	503 93 48-71	B	537 10 11-01	B		

1 = 537 04 80-01
2 = 503 97 85-01

Set of gaskets, Dichtungssatz,
Jeu de joints, Juego de juntas,
Packningssats

N = New part, Neues teil,
Nouvelle piece, Nueva pieza
Ny detalj

EPA = Environmental Protection Agency
(for USA only)