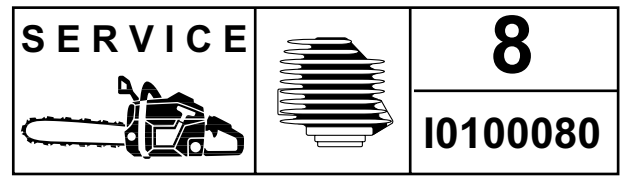


For Husqvarna Parts Call 606-678-9623 or 606-561-4983



IPL, 385, 385 EPA, 2001-04, 106 27 41-61

385, 385 EPA

Spare parts
Ersatzteile
Pièces détachées
Reserve onderdelen
Repuestos
Reservdelar

106 27 41-61

For Husqvarna Parts Call 606-678-9623 or 606-561-4983

MODEL 385, 385 EPA

| PART NUMBER | SQUARE NOTE | PART NUMBER | SQUARE NOTE | PART NUMBER | SQUARE NOTE | PART NUMBER | SQUARE NOTE |
|--------------|-------------|--------------|-------------|--------------|-------------|--------------|-------------|
| 501 22 04-01 | P | 503 28 04-13 | G,P | 503 96 22-01 | G | 537 04 18-01 | P |
| 501 22 05-01 | P | 503 28 90-37 | D | 503 96 24-05 | M | 537 04 19-01 | P |
| 501 22 08-01 | P | 503 40 06-04 | G | 503 96 70-01 | H | 537 04 29-01 | H |
| 501 22 09-01 | P | 503 42 67-01 | B | 503 97 50-01 | B | 537 04 34-01 | A |
| 501 22 12-01 | P | 503 43 20-01 | B | 503 97 51-01 | B | 537 04 38-01 | Q |
| 501 22 13-01 | P | 503 43 29-01 | N | 503 98 66-71 | K | 537 04 41-02 | A |
| 501 22 15-01 | P | 503 43 65-01 | A | 503 98 66-72 | M | 537 05 13-01 | H |
| 501 22 20-01 | P | 503 44 32-01 | J | 503 98 67-02 | L | 537 05 16-05 | M |
| 501 22 21-01 | P | 503 48 63-01 | P | 503 98 67-71 | L | 537 05 16-06 | M |
| 501 22 25-01 | P | 503 52 13-02 | B | 503 98 74-01 | C | 537 05 26-01 | M |
| 501 27 08-01 | H | 503 52 87-02 | K,L | 503 98 82-01 | P | 537 06 32-01 | M |
| 501 43 00-01 | M | 503 53 36-01 | P | 503 98 85-01 | P | 537 06 53-01 | M |
| 501 43 00-01 | M | 503 53 39-01 | P | 503 98 86-01 | P | 537 06 89-01 | P |
| 501 48 52-01 | P | 503 54 39-01 | N | 503 99 11-72 | H | 537 06 90-01 | P |
| 501 48 54-02 | M | 503 55 66-01 | J | 503 99 34-72 | E | 537 06 95-01 | P |
| 501 49 27-03 | J | 503 55 85-02 | Q | 503 99 83-01 | A | 537 06 96-01 | C |
| 501 49 48-02 | P | 503 55 86-01 | Q | 503 99 93-01 | G | 537 06 98-01 | P |
| 501 51 72-01 | A | 503 55 86-02 | Q | 504 02 65-00 | P | 537 07 00-01 | P |
| 501 54 41-02 | B | 503 56 00-05 | G | 504 30 00-26 | B | 537 07 18-02 | M |
| 501 59 80-02 | B | 503 57 76-02 | J | 504 52 14-03 | P | 537 07 94-01 | A |
| 501 61 58-01 | B | 503 57 86-01 | P | 505 30 36-61 | B | 537 07 95-01 | A |
| 501 62 93-08 | M | 503 57 87-01 | P | 505 31 64-58 | P | 537 08 62-01 | D |
| 501 63 06-01 | N | 503 57 89-01 | H,J | 505 31 65-50 | P | 537 08 67-01 | N |
| 501 67 35-01 | M | 503 60 04-01 | J | 537 00 03-71 | J | 537 08 92-01 | H |
| 501 68 89-01 | Q | 503 62 12-01 | Q | 537 00 07-01 | C | 537 09 54-01 | H |
| 501 79 51-02 | M | 503 62 49-01 | B | 537 00 07-02 | C | 537 10 64-01 | B |
| 501 81 74-01 | D,E | 503 62 61-02 | M | 537 00 09-01 | C | 537 10 82-01 | P |
| 501 81 96-02 | H,J | 503 64 47-01 | B | 537 00 10-01 | C | 537 10 83-01 | P |
| 501 81 99-01 | M | 503 65 27-01 | P | 537 00 12-01 | H | 537 11 14-01 | G |
| 501 82 17-01 | P | 503 66 19-01 | P | 537 00 13-01 | N | 537 13 00-01 | P |
| 501 82 18-01 | P | 503 67 86-01 | H | 537 00 14-01 | H | 537 13 33-01 | M |
| 501 87 31-01 | J | 503 68 41-01 | G | 537 00 37-01 | G | 537 13 72-01 | C |
| 501 87 53-04 | A | 503 68 45-03 | M | 537 00 38-71 | N | 537 13 79-71 | B |
| 501 91 14-01 | Q | 503 70 11-01 | G | 537 00 39-71 | N | 537 13 79-72 | B |
| 502 01 22-01 | P | 503 70 99-01 | A | 537 00 57-01 | D | 537 16 97-71 | D |
| 502 20 65-01 | G | 503 71 53-01 | D | 537 00 79-01 | H | 537 16 98-71 | D |
| 502 20 65-05 | G | 503 71 76-01 | J | 537 00 87-01 | A | 720 12 40-20 | J |
| 502 20 83-02 | G | 503 71 82-01 | M | 537 00 88-01 | J | 720 12 72-20 | J |
| 503 08 52-01 | M | 503 71 82-02 | M | 537 00 91-01 | G | 724 12 87-59 | F |
| 503 13 96-01 | Q | 503 71 97-01 | A | 537 00 93-01 | G | 724 32 24-05 | M |
| 503 20 02-12 | A,H | 503 73 44-01 | H | 537 01 37-71 | H | 725 52 91-55 | M |
| 503 20 02-16 | F,H | 503 73 64-01 | J | 537 01 47-01 | G | 725 53 09-55 | G |
| 503 20 02-20 | M | 503 74 01-02 | C | 537 01 47-02 | G | 725 53 29-56 | B |
| 503 20 02-30 | H | 503 74 93-01 | H | 537 01 47-03 | G | 725 53 33-55 | D |
| 503 20 06-08 | F | 503 75 11-03 | A | 537 01 55-01 | M | 725 53 70-55 | F |
| 503 20 16-35 | H | 503 75 18-01 | H | 537 01 65-01 | C | 731 23 14-01 | G |
| 503 20 25-12 | A | 503 75 22-01 | A | 537 01 67-01 | A | 737 44 13-00 | D |
| 503 20 34-19 | N | 503 75 24-01 | B | 537 01 68-01 | A | 738 22 03-25 | E |
| 503 20 44-26 | C | 503 75 61-04 | B | 537 01 69-01 | A | 740 48 07-02 | A |
| 503 21 05-20 | K,L | 503 76 29-02 | A,F | 537 01 71-01 | H | | |
| 503 21 06-16 | N | 503 76 65-03 | F | 537 01 72-01 | H | | |
| 503 21 28-06 | M | 503 77 43-01 | B | 537 01 74-01 | A | | |
| 503 21 28-10 | A,H,M | 503 77 52-01 | A | 537 01 75-01 | J | | |
| 503 21 70-16 | Q | 503 77 59-01 | D | 537 01 79-01 | J | | |
| 503 21 88-20 | J,M | 503 77 98-01 | P | 537 02 44-01 | H | | |
| 503 22 00-01 | A | 503 78 72-01 | N | 537 03 34-01 | J | | |
| 503 22 10-11 | M | 503 79 27-01 | A | 537 03 34-01 | J | | |
| 503 22 24-01 | H | 503 81 13-01 | B | 537 03 35-02 | A | | |
| 503 23 00-04 | B | 503 81 30-01 | B | 537 03 35-72 | A | | |
| 503 23 00-42 | M | 503 82 98-01 | J | 537 03 38-01 | A | | |
| 503 23 00-63 | A | 503 83 81-02 | A | 537 03 73-01 | L | | |
| 503 23 00-66 | A | 503 84 61-01 | H | 537 04 03-01 | H | | |
| 503 23 43-02 | N | 503 85 96-01 | N | 537 04 04-01 | N | | |
| 503 23 51-08 | D | 503 89 70-01 | A | 537 04 04-02 | N | | |
| 503 25 12-01 | E | 503 89 76-01 | M | 537 04 05-01 | M | | |
| 503 26 02-05 | H | 503 92 27-01 | A | 537 04 06-01 | M | | |
| 503 26 14-01 | E | 503 95 90-01 | F | 537 04 13-01 | P | | |
| 503 26 30-17 | H,J | 503 95 90-02 | F | 537 04 14-01 | P | | |
| 503 27 21-01 | B | 503 95 90-03 | F | 537 04 15-01 | P | | |
| 503 28 04-11 | G,P | 503 95 91-01 | F | 537 04 16-01 | P | | |

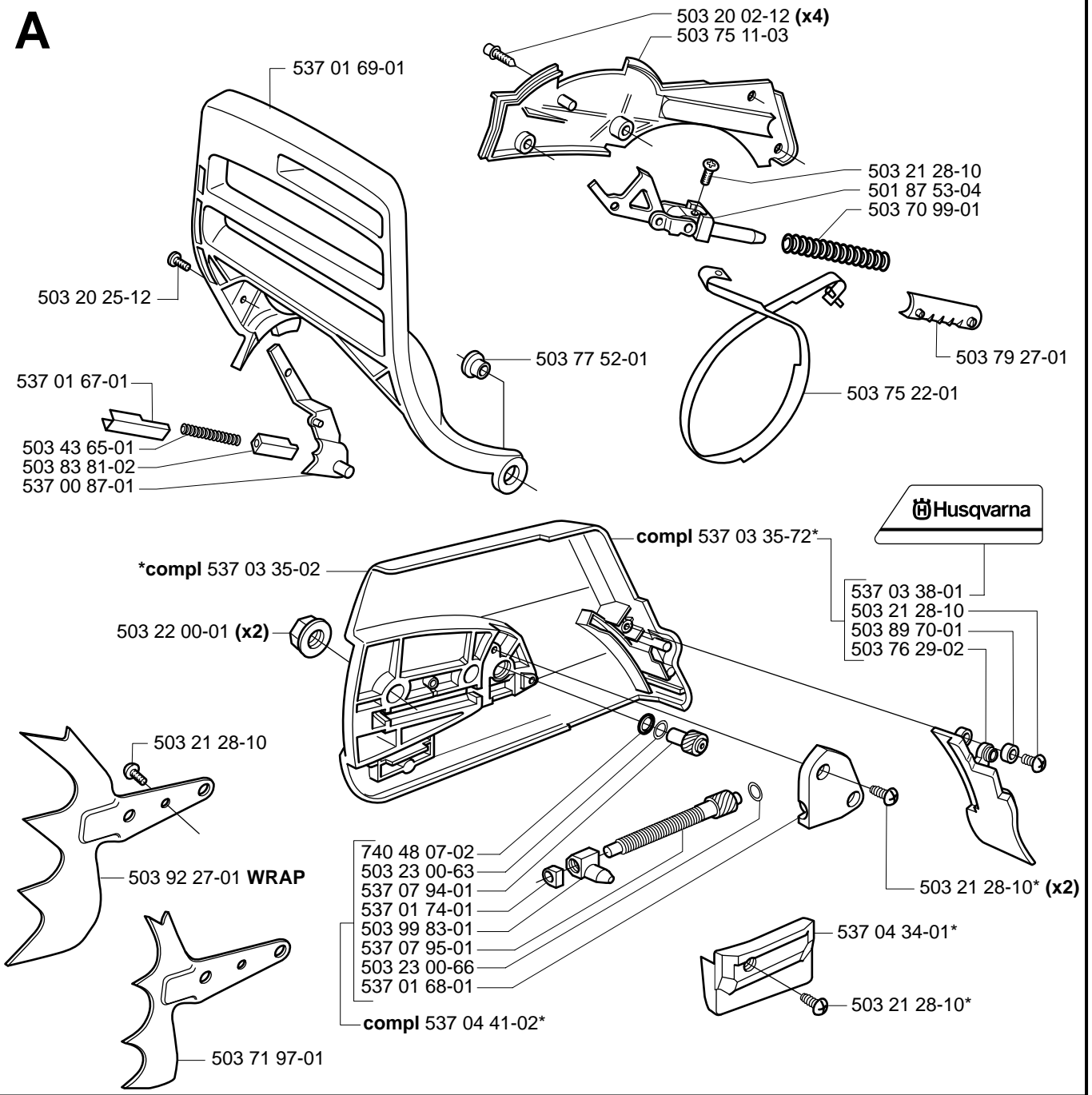
1 = 537 03 39-01
2 = 501 49 48-02

Set of gaskets
Dichtungssatz
Jeu de joints
Juego de juntas
Packningssats

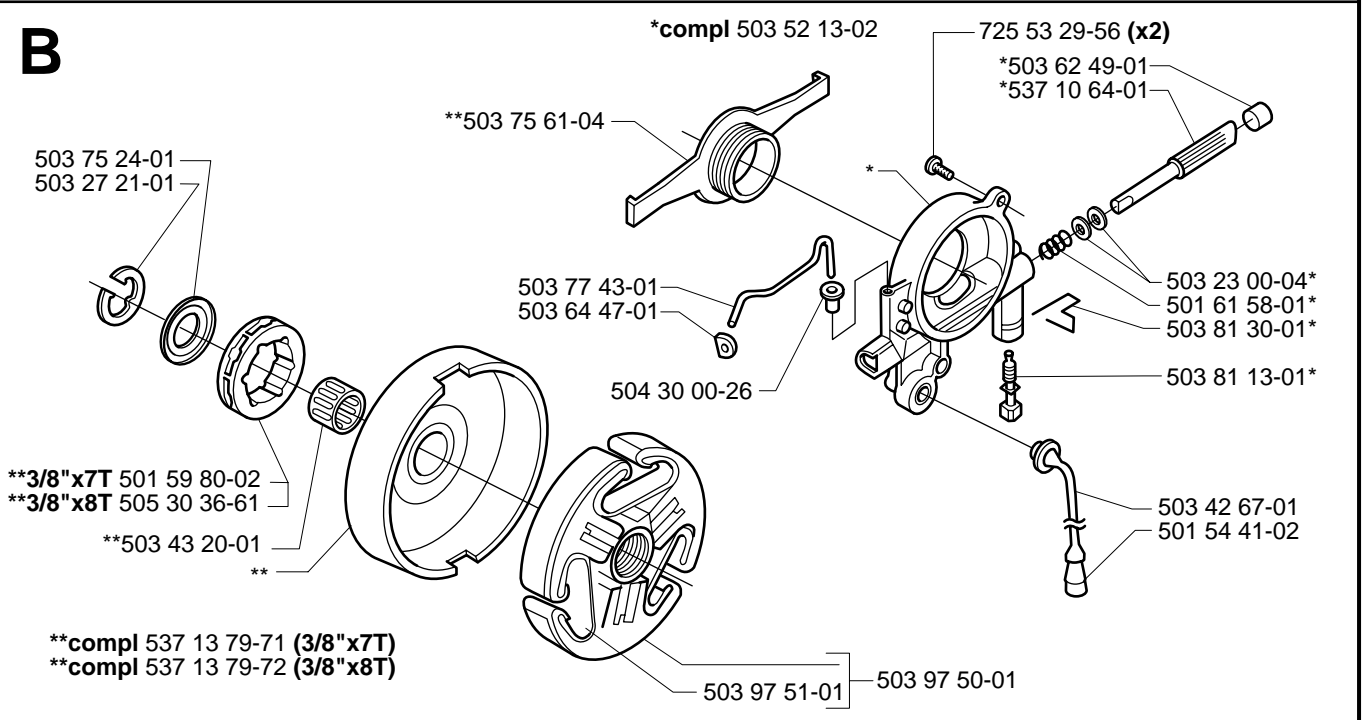
N = New part
Neues teil
Nouvelle piece
Nueva pieza
Ny detalj

EPA = Environmental Protection Agency
(for USA only)

A

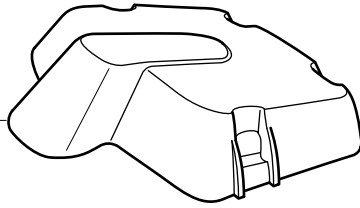


B



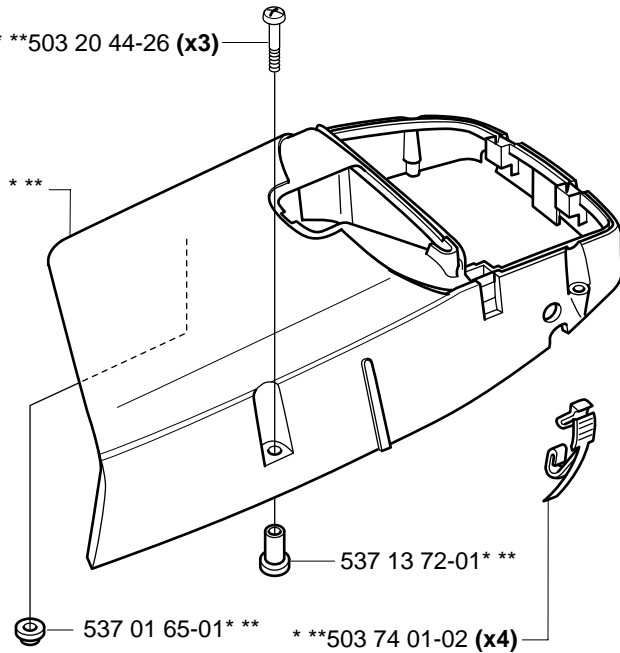
C *compl 537 00 07-01 Std
**compl 537 00 07-02 Hd

*537 00 09-01 Std
**537 00 10-01 Hd



503 98 74-01* **

* **503 20 44-26 (x3)

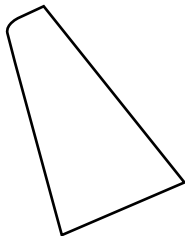


* **

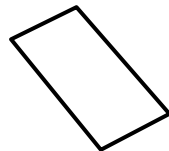
537 13 72-01* **

537 01 65-01* **

* **503 74 01-02 (x4)



537 06 96-01* **



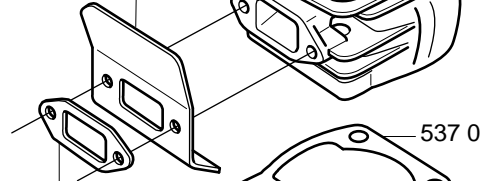
537 07 23-01* **

D *compl 537 16 97-71

725 53 33-55 (x4)
503 71 53-01

503 23 51-08
RCJ 7Y

537 08 62-01



537 00 57-01 ①

503 77 59-01 ①

503 28 90-37 (x2)

737 44 13-00 (x2)

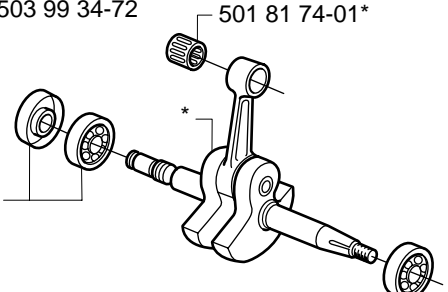
*compl 537 16 98-71

501 81 74-01

E *compl 503 99 34-72

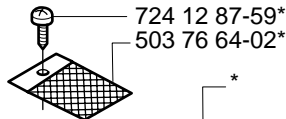
501 81 74-01*

*503 25 12-01



*738 22 03-25

F compl 503 95 90-01 FG
compl 503 95 90-03 Jungle
*compl 503 95 90-02 DF



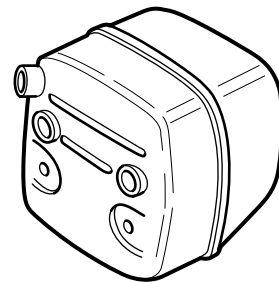
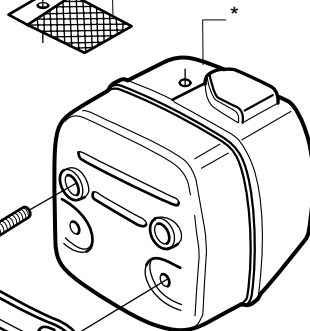
724 12 87-59*

503 76 64-02*

725 53 70-55 (x2)

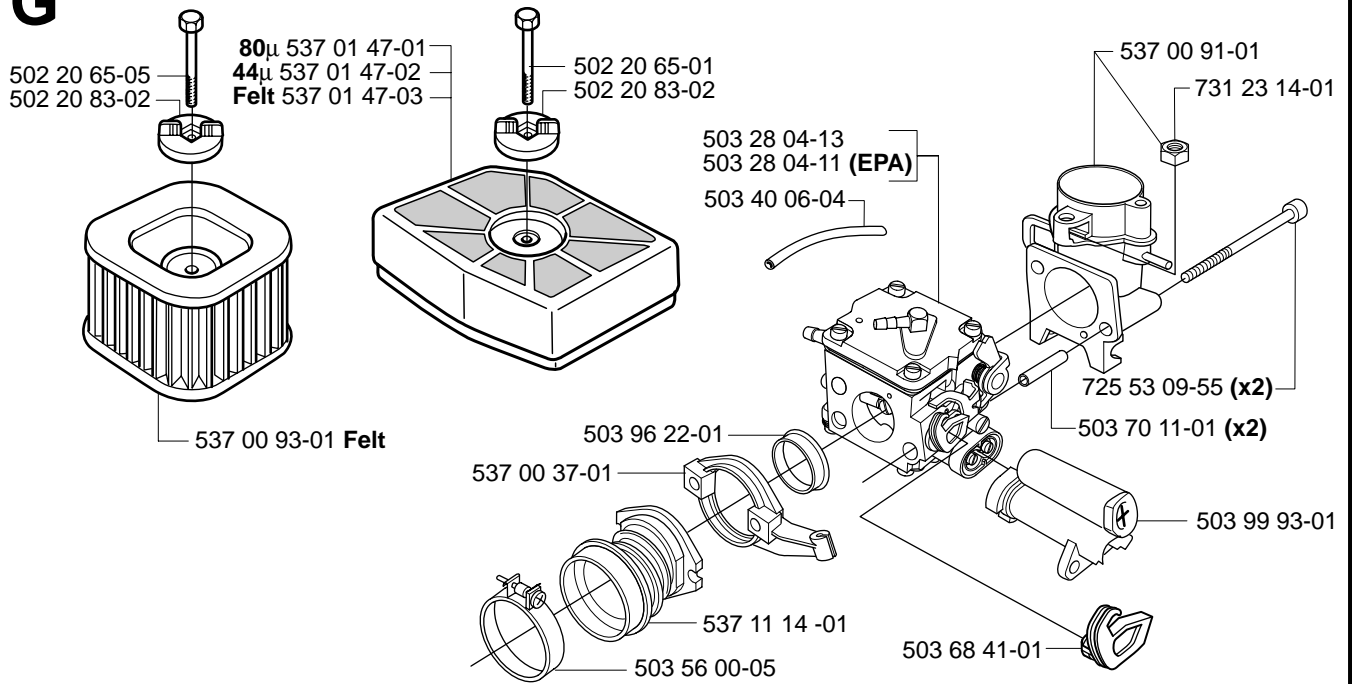
503 76 65-03
503 20 02-16 (x2)

503 20 06-08 (x2)



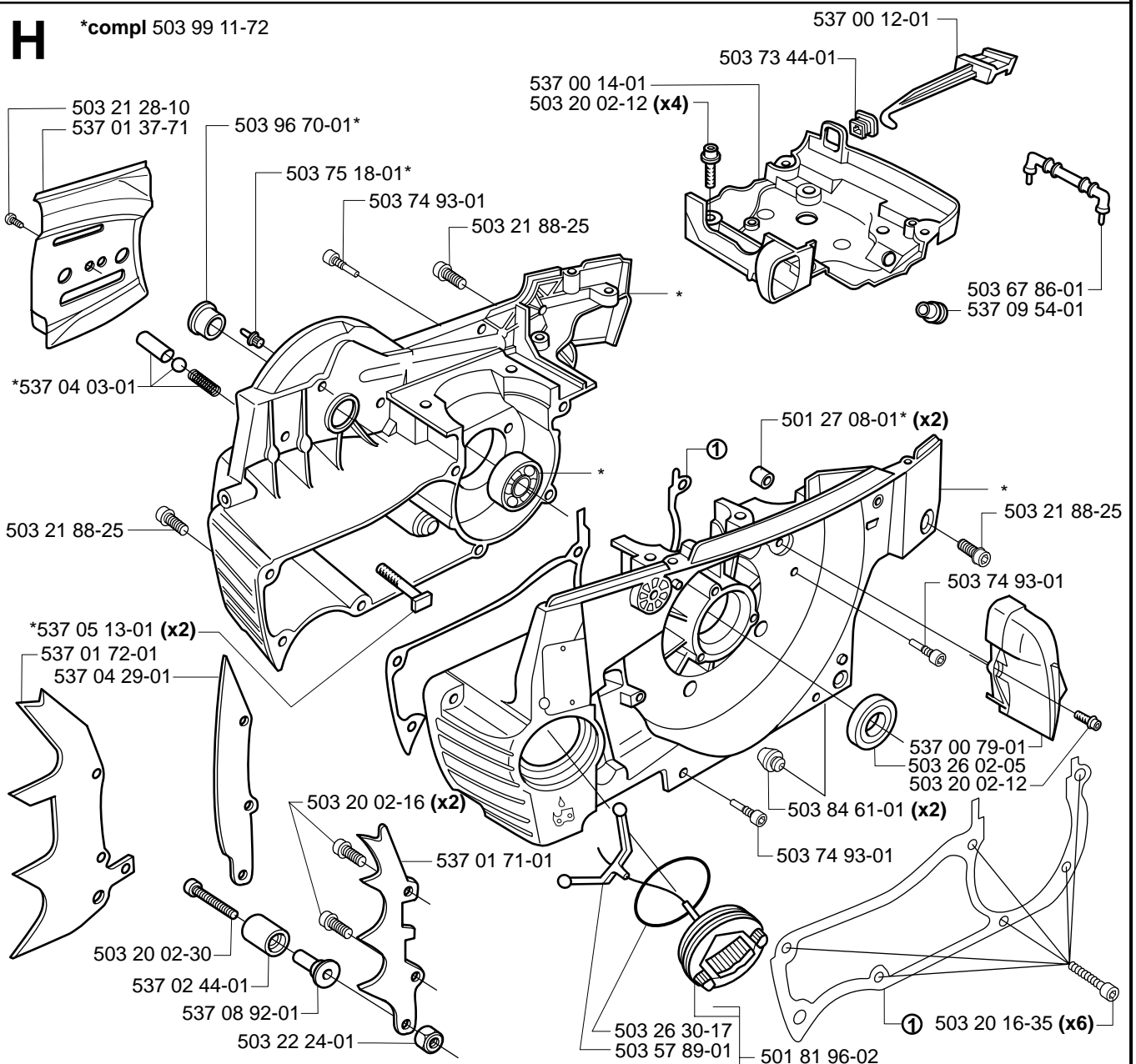
503 95 91-01 Tube

G



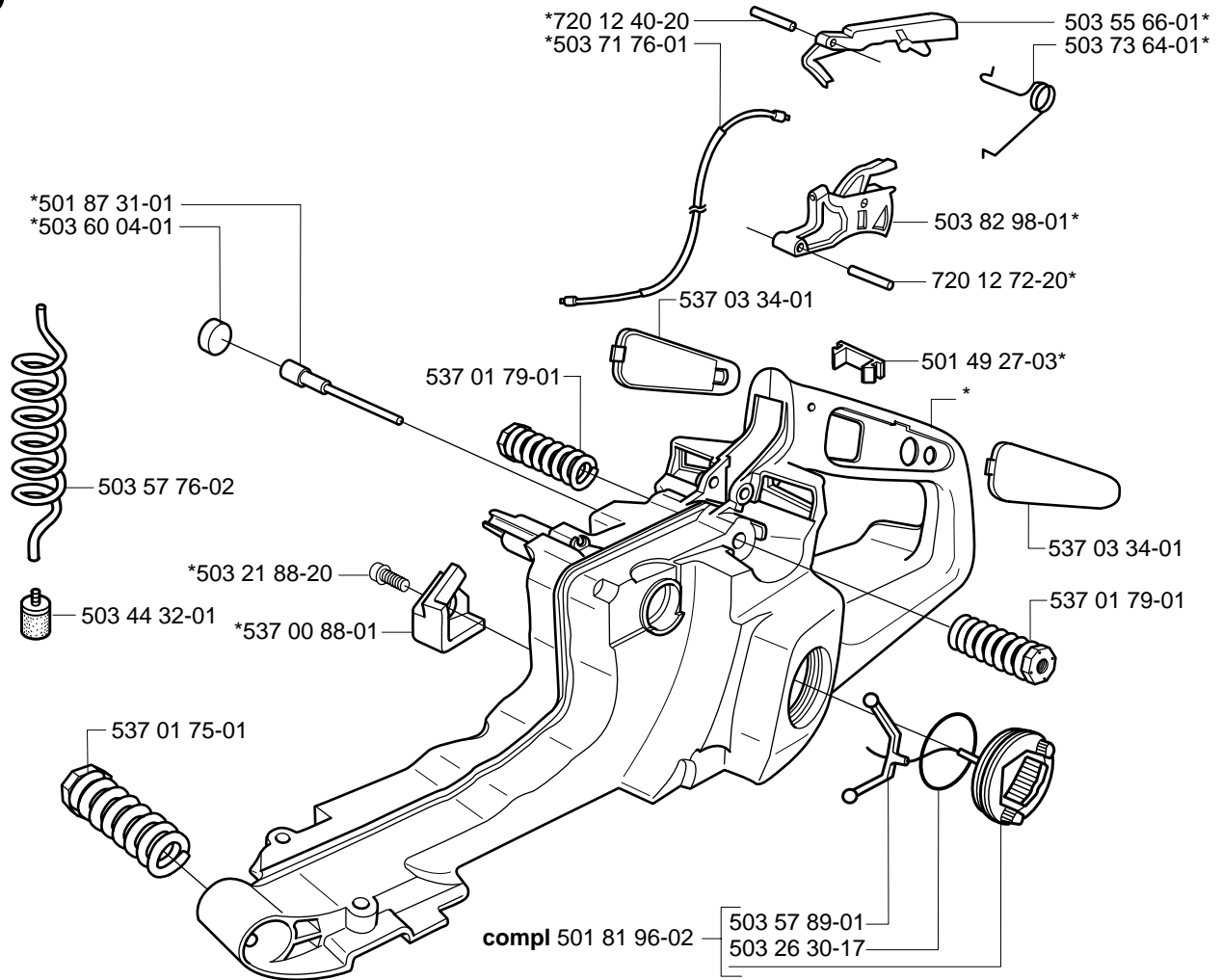
H

*compl 503 99 11-72



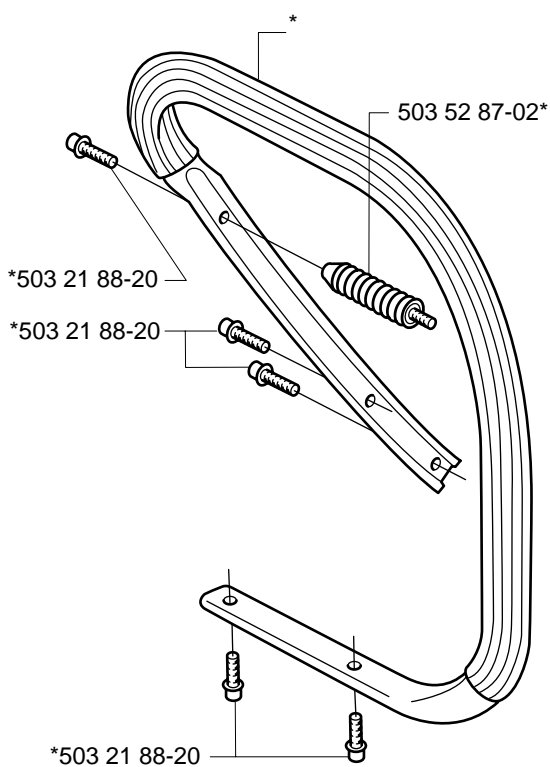
J

*compl 537 00 03-71



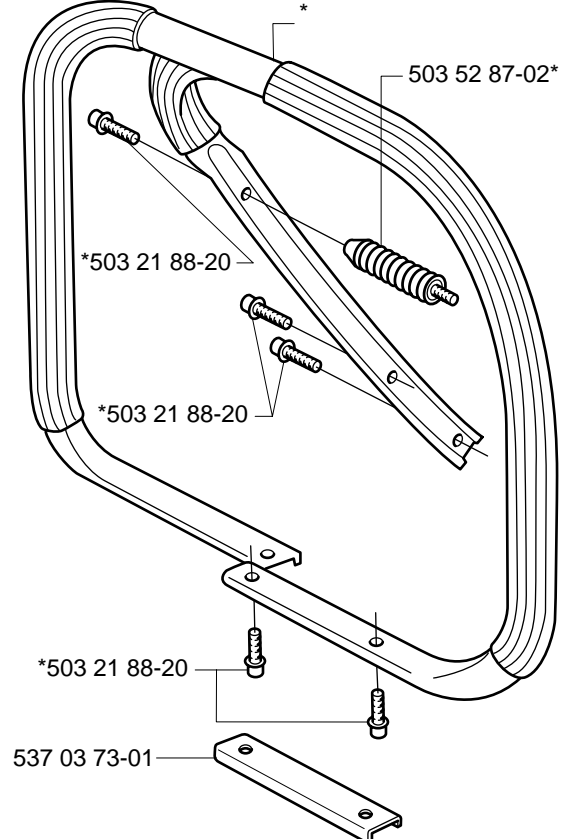
K

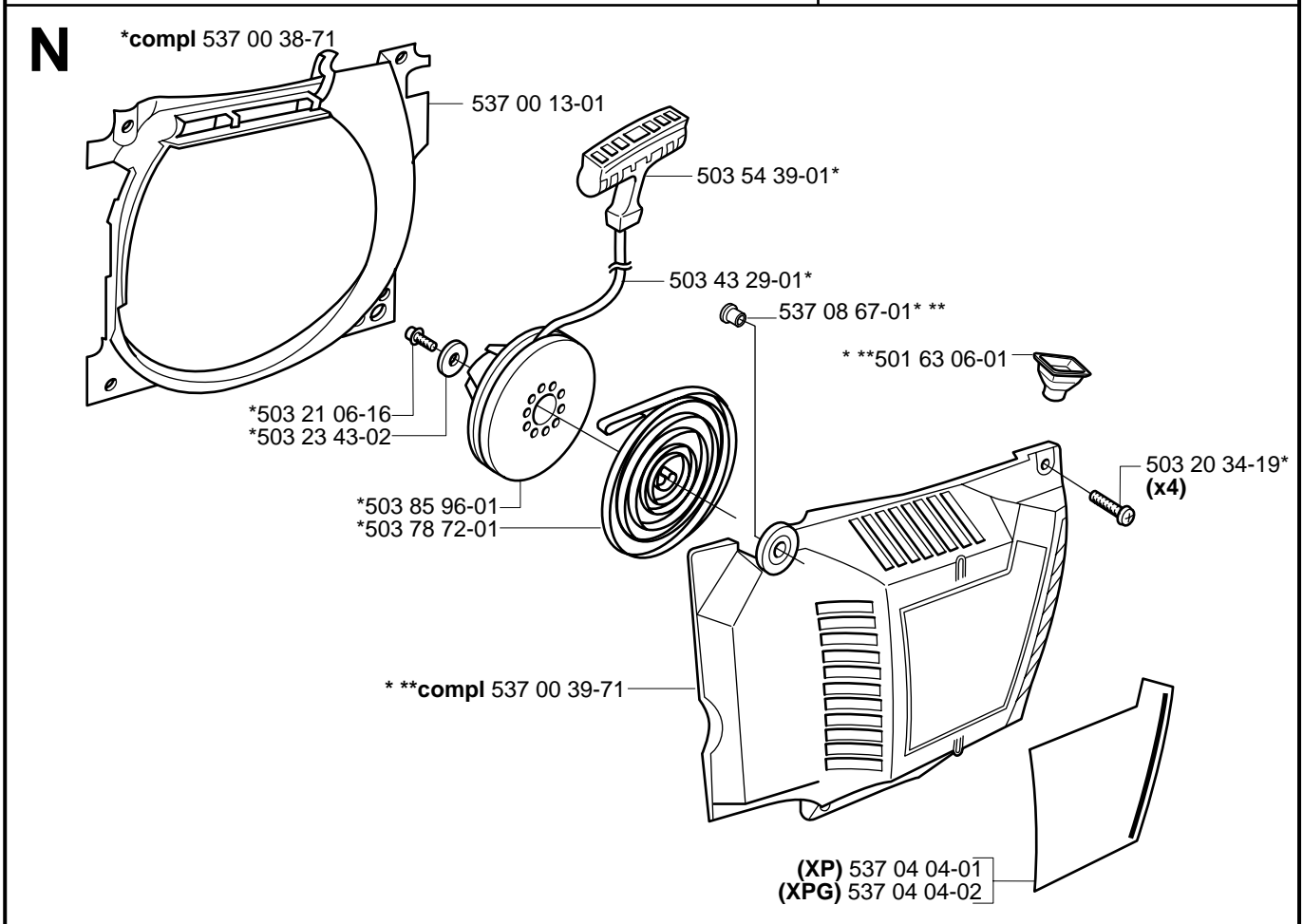
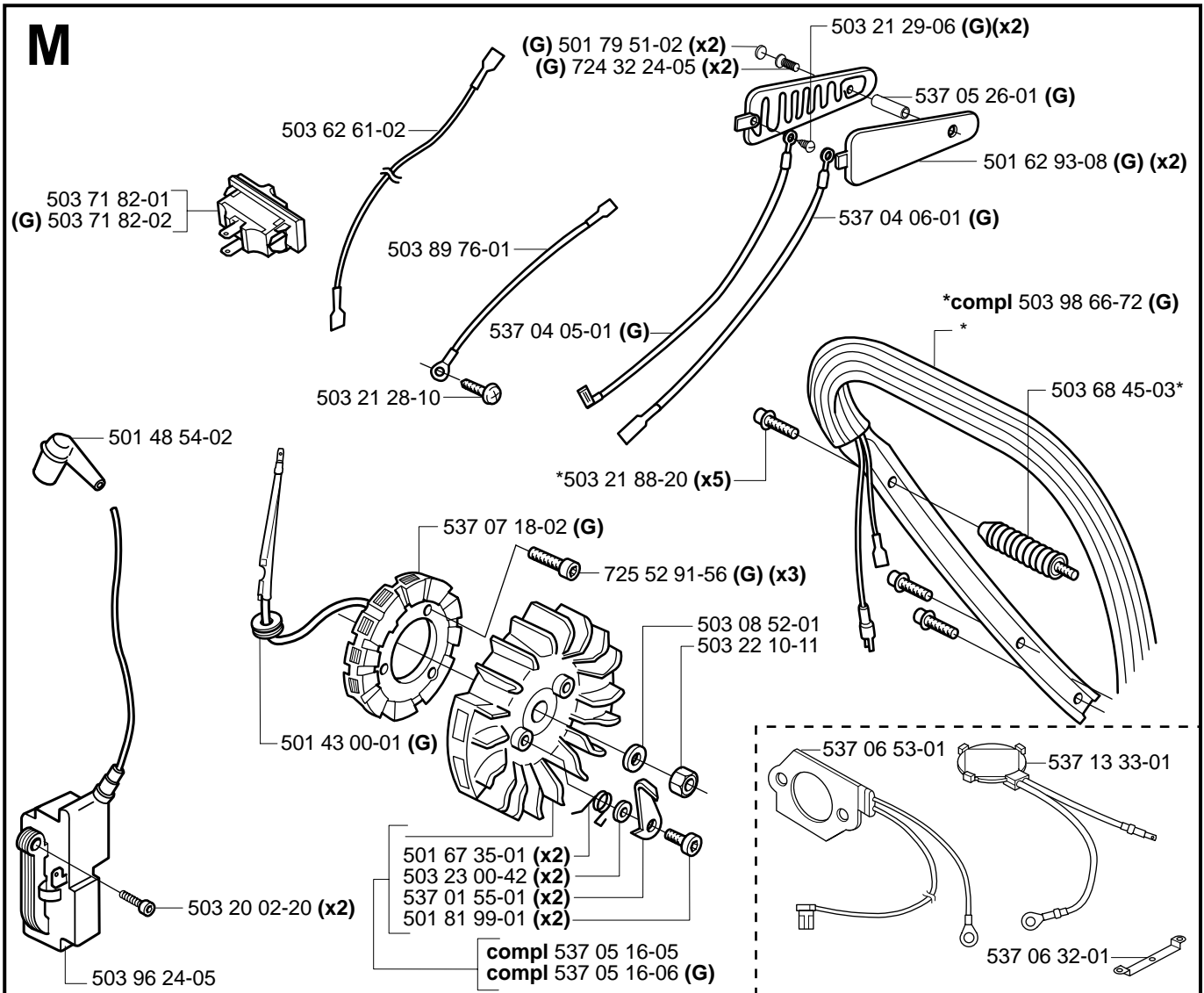
compl 503 98 66-71



L

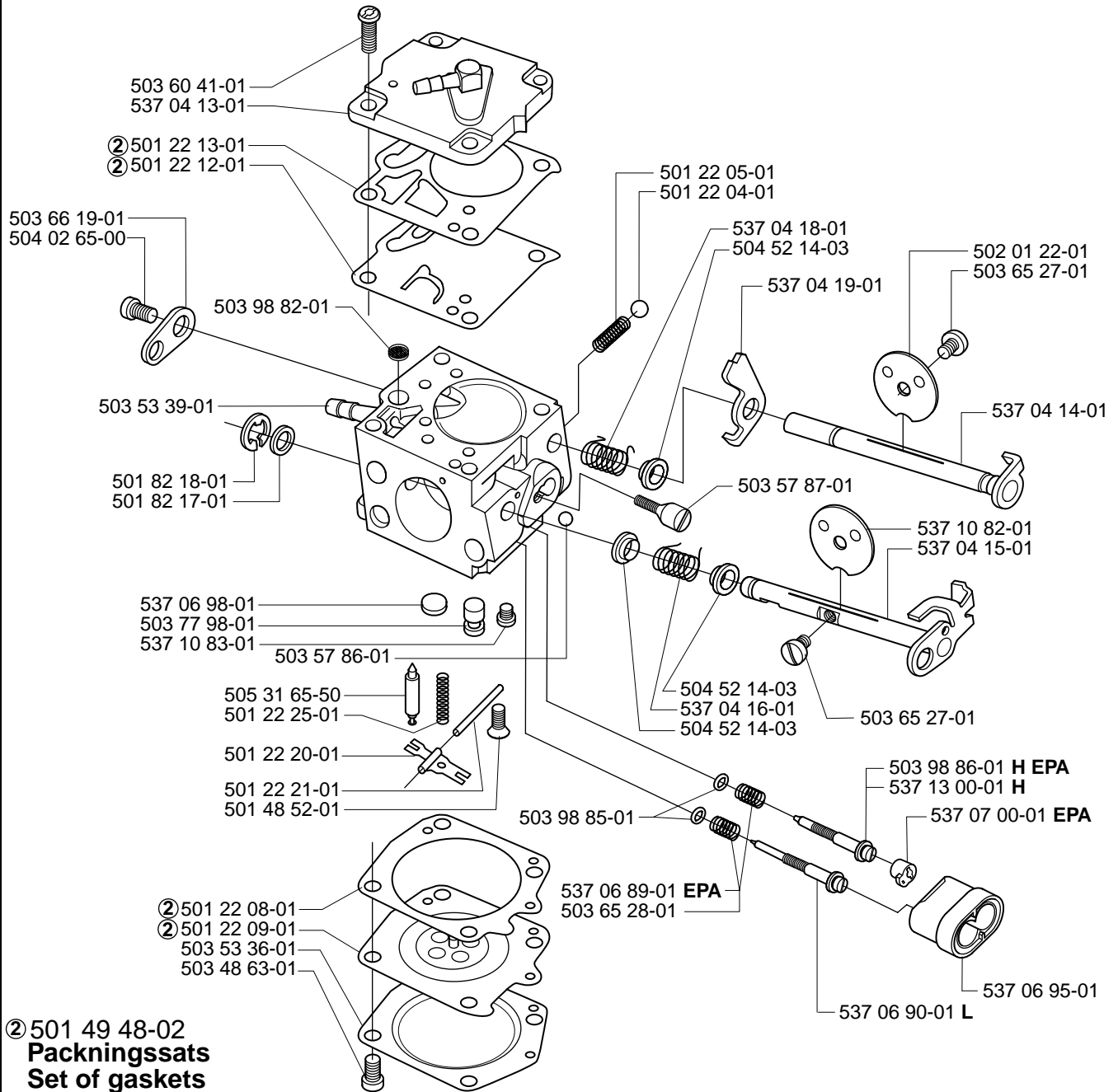
*compl 503 98 67-71
*compl 503 98 67-02 (G)





P compl 503 28 04-13
 compl 503 28 04-11 EPA

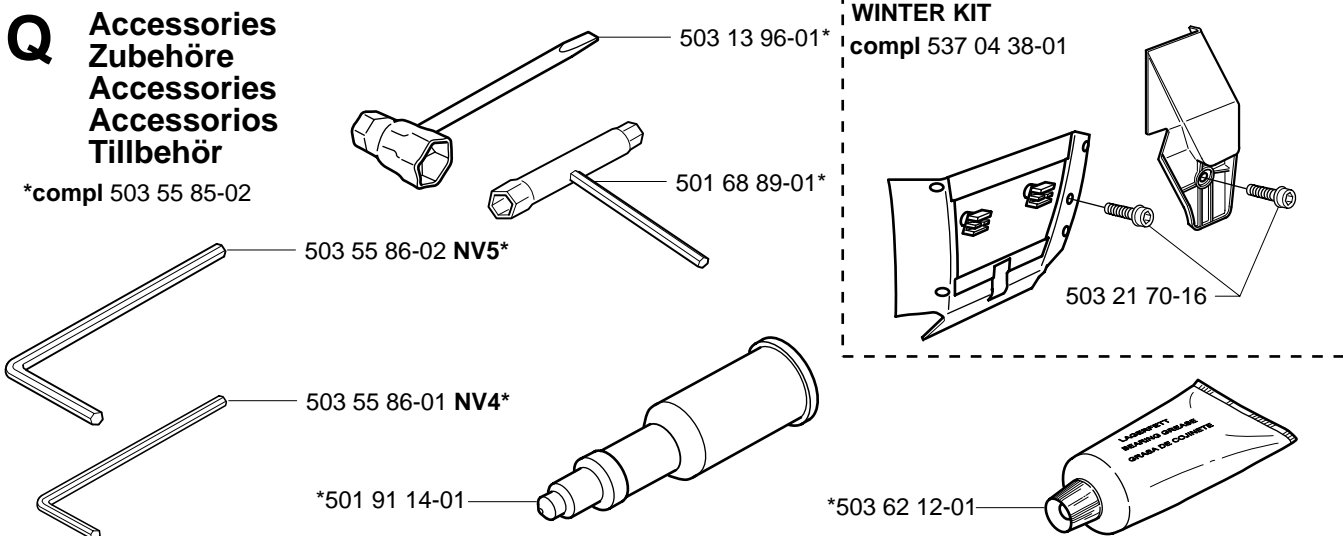
Tillotson HS 299A
Tillotson HS 296A EPA



② 501 49 48-02
Packningssats
Set of gaskets
Dichtungssatz
Jeu de joints
Juego de juntas

Q **Accessories**
Zubehöre
Accessories
Accesorios
Tillbehör

*compl 503 55 85-02



WINTER KIT
 compl 537 04 38-01

