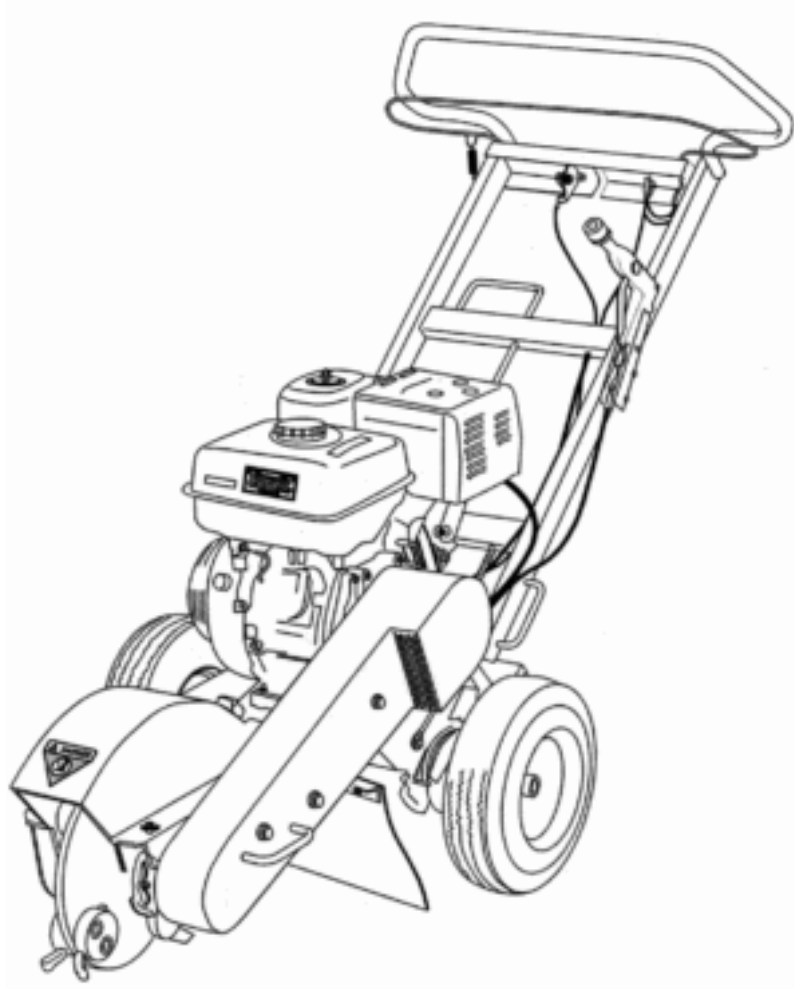


For Husqvarna Parts Call 606-678-9623 or 606-561-4983

Husqvarna



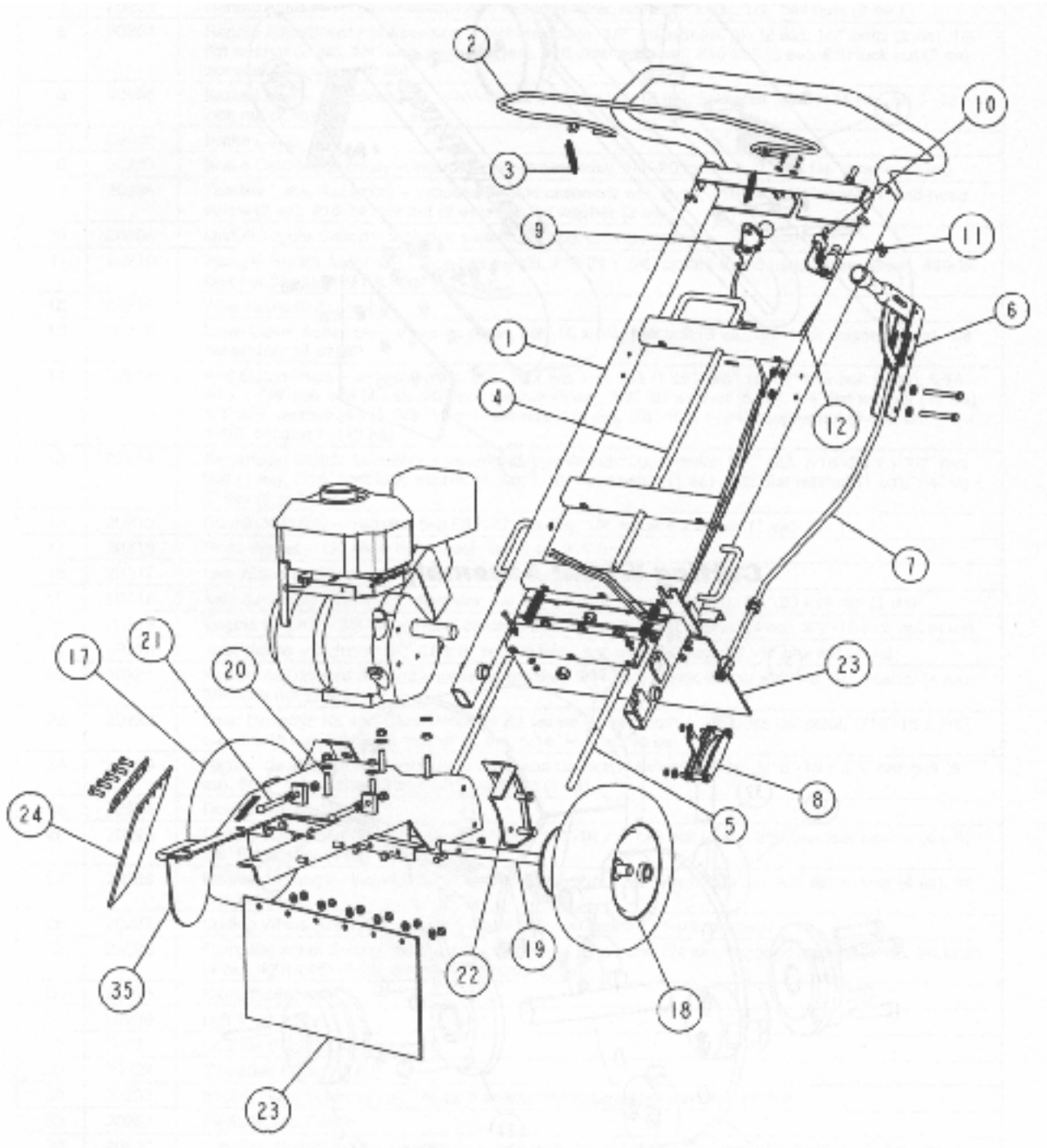
Parts manual

**Models: SG11
SG13**

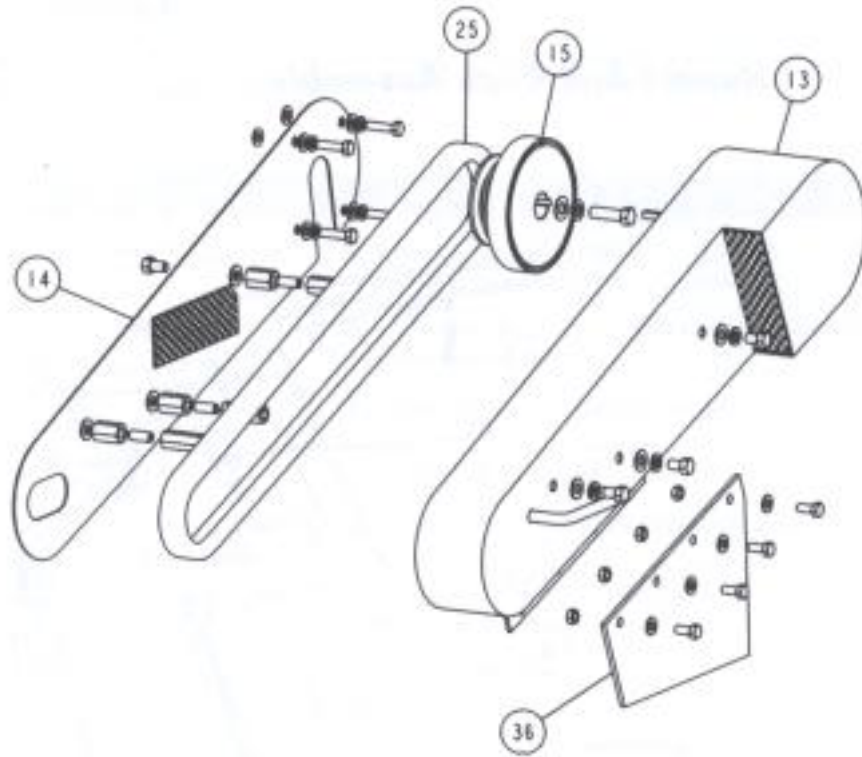
MANUAL NO. 540200192 REV 12/04/00

www.mymowerparts.com

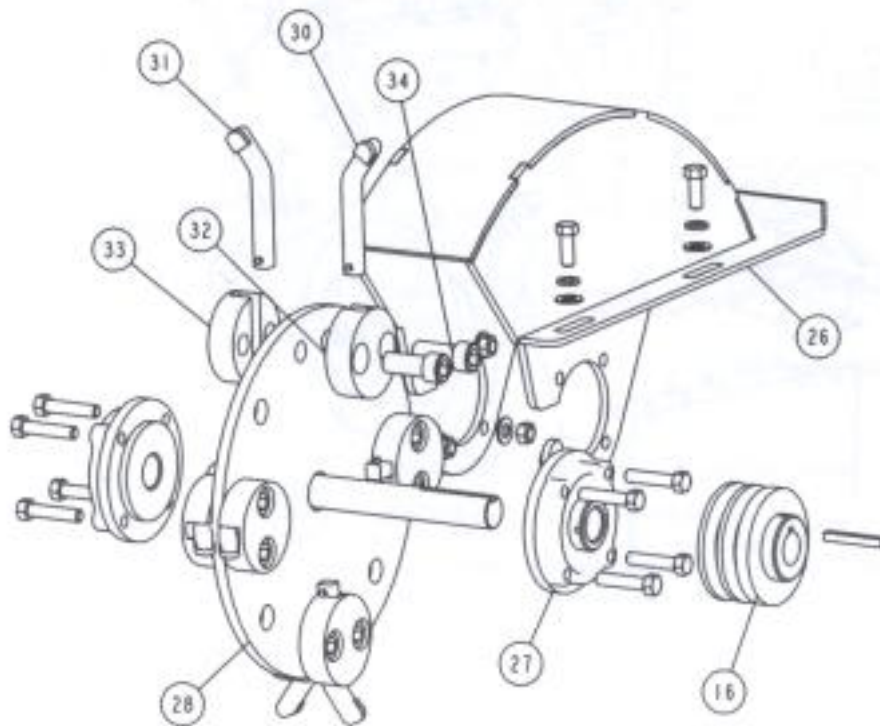
Handle and Deck Assembly



Belt Cover Guard Assembly



Cutting Wheel Assembly

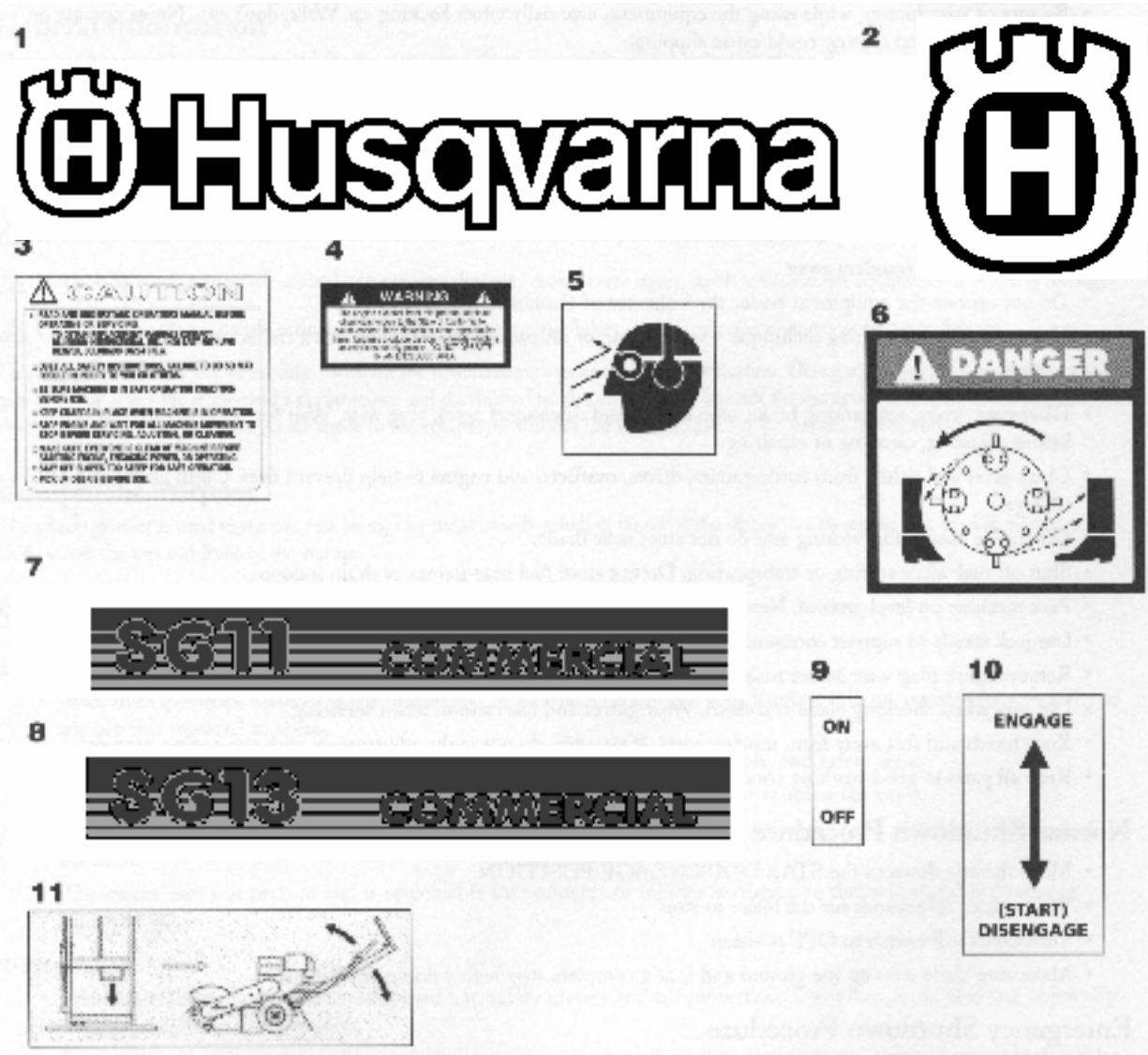


Parts List

- 1 540020200 Handle
- 2 540020201 Bail Assy - includes bail and extension spring (2 ea)
- 3 540020202 Extension spring (1 ea)
- 4 540020203 Handle Adjustment Lever Assembly - includes lever, roll pins (2 ea), 1/2" hex nuts (2 ea.)
- 5 540020204 Handle Adjustment Pin Assembly - includes plate, 1/2" adjustment pin (2 ea), 1/4" bolts (2 ea), 1/4" flat washer (2 ea), 1/4" lock washer (2 ea), #10 washer (4 ea), #10 bolt (2 ea), #10 lock nut (2 ea), compression spring (2 ea)
- 6 540020205 Brake Lever - includes lever, 5/16"-18 x 2-3/4" hex bolt (2 ea), 5/16" flat washer (4 ea), 5/16"-18 lock nut (2 ea)
- 7 540020206 Brake Cable
- 8 540020207 Brake Caliper Assembly - includes caliper assembly, 1/4"-20 lock nut (2 ea), 1/4" washer (2ea)
- 9 540020208 Throttle Cable Assembly - includes throttle assembly with knob, #10-24 x 3/4" slotted round head screw (2 ea), #10-24 lock nut (2 ea), #10 flat washer (2 ea)
- 10 540020209 On/Off Toggle Switch - includes switch, boot cover and hardware
- 11 540020210 Plunger Switch Assembly - includes switch, #10-24 x 3/4" slotted round head screw (2 ea), #10-24 lock nut (2 ea), #10 flat washer (2 ea)
- 12 540020211 Wire Harness Assembly
- 13 540020212 Drive Cover Assembly - includes cover, 3/8"-16 x 5/8" hex bolt (3 ea), 3/8" lock washer (3 ea), 3/8" flat washer (3 ea)
- 14 540020213 Belt Guard Plate - includes plate, 3/8":16 x S/8" hex bolt (1 ea), 3/8"-16 x 1" hex bolt (2 ea), 5/16":24 x 1-1/4" hex bolt (4 ea), 3/8" lock washer (3 ea), 3/8" flat washer (6 ea), 1/4" flat washer (12ea) 1/4" lock washer (4 ea), 3/8" -18 x 1" set screw (3 ea), 3/8"-16 x 1-3/4" coupler nut (3ea), 3/8" -16 x 1-1/8" coupler nut (3 ea)
- 15 540020214 Centrifugal Clutch Assembly - includes 2-groove centrifugal clutch B-4" OD 7/16"-20 x 1-1/2" hex bolt (1 ea) 7/16" split lock washer (1 ea), 7/16" flat washer (1 ea), 1/2" flat washer (1ea), 1/4" sq x 2" key (1 ea)
- 16 540020215 Double V-Pulley - includes B-3.55" OD V-pulley, 1/4" square x 2" key (1 ea)
- 17 540020216 Right Wheel - 12" short hub wheel, set collar 3/4" bore
- 18 540020217 Left Wheel- 12" wheel with disc brake, set collar 3/4" bore
- 19 540020218 Axle Assembly-Axle 3/4" diameter, 1/4"-20 x 1-1/4" hex bolt (1 ea), 1/4"-20 lock nut (1 ea)
- 20 540020219 Engine Bolt Kit-3/8"-16x 1-3/4" carriage bolt (4 ea), 3/8" flat washer (4ea), 3/8"-16 lock nut (4ea)
- 21 540020220 Jack Screw - includes 3/8"-16x3 1/2" hex head screw (2 ea), 3/8"-16 hex jam nut (2ea)
- 22 540020221 Handle Adjustment Bracket - includes bracket, 3/8"-16 x 1" hex bolt (2 ea), 3/8" flat washer (4ea) 3/8" lock nut (2 ea)
- 23 540020222 Rear Deflector Kit and Deck Deflector Kit (same P/N for both) - includes deflector, 5/16"-18 x 3/4" hex bolt (6 ea), 5/16" flat washer (6 ea), 5/16" lock nut (6 ea)
- 24 540020223 Right Side Deflector Kit - includes neoprene deflector, deflector strap, 5/16"-18 x 3/4" hex bolt (5ea), 5/16" flat washer (5 ea), 5/16" lock nut (5 ea)
- 25 540020224 Double V-Belt, BP54
- 26 540020225 Cutting Wheel Shroud Kit - includes shroud, 3/8"-16 x 1" hex bolt (4 ea), 3/8" split lock washer (4 ea), 3/8" flat washer (4 ea)
- 27 540020226 Bearings, Flange - includes bearing (1 ea), 3/8"-16 x 1-3/4" hex bolt (4 ea), 3/8" flat washer (4ea), 3/8" lock nut (4 ea)
- 28 540020227 Cutting Wheel Assembly - (cutting wheel only / no teeth) - 11 -1/4" diameter
- 29 540020228 Complete set of Cutting Teeth - includes counter bore pocket (4 ea), threaded pockets (4 ea), left tooth (4 ea), right tooth (4 ea), socket head screw (8 ea)
- 30 540020229 Right Tooth (1 ea)
- 31 540020230 Left Tooth (1 ea)
- 32 540020231 Counter Bore Pocket (1 ea)
- 33 540020232 Threaded Pocket (1 ea)
- 34 540020233 Socket Head Screw (2 ea) - Note: 2 screws are required per complete pocket
- 35 540020234 Deck, Stump Grinder
- 36 540020237 Left Side Deflector Kit - includes neoprene deflector, 5/16"-18x 3/4" hex bolt (4 ea), 5/16" flat washer (4 ea), 5/16" lock nut (4 ea)
- 37 540020236 SG11 Decal Kit (11 hp) - See page 5 for detail of decals
- 38 540020238 SG13 Decal Kit (13 hp) - See page 5 for detail of decals

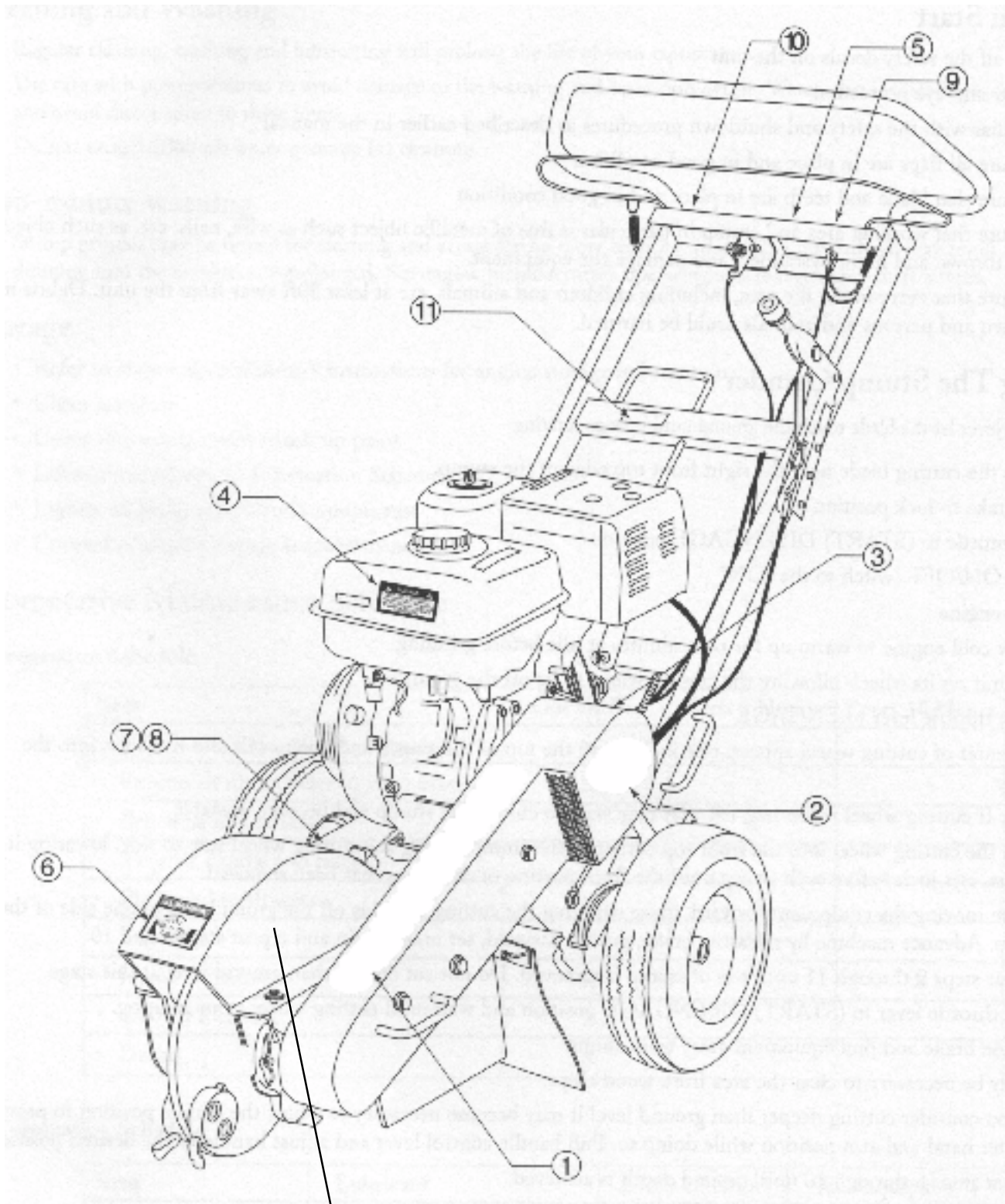
Safety and Instruction Decals

The following decals are found on Model SG11 and SG13 stump grinders. If any are missing or not legible, replace them before putting the equipment into operation.



- 1 Decal, Husqvarna logo and crown
- 2 Decal, Crown
- 3 Decal, Caution list
- 4 Decal, Warning Carbon monoxide
- 5 Decal, Eye and hearing
- 6 Decal, Danger foot
- 7 Decal, Model SG11
- 8 Decal, Model SG13
- 9 Decal, On/Off toggle
- 10 Decal, Throttle control
- 11 Decal, Handle adjustment
- 12 Decal, Nascar

Decal Placement



12

This page left blank intentionally

For Husqvarna Parts Call 606-678-9623 or 606-561-4983



Technical assistance:
For technical assistance please contact your Local Dealer.

www.mymowerparts.com