



# Chain Saw Holder Instruction Manual

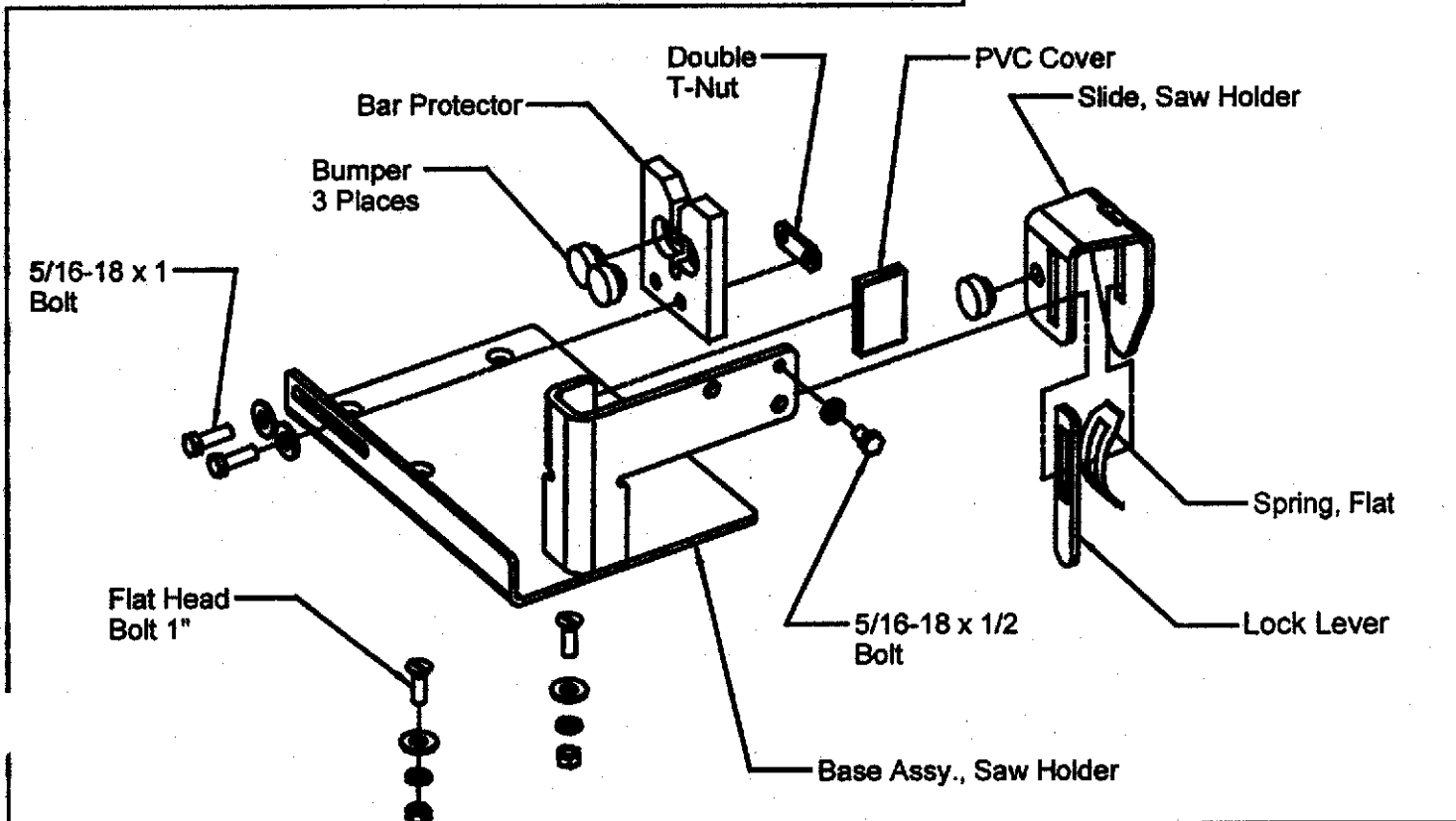
Thank you for purchasing this Gridiron product

## Installation

- 1 **Note:** To mount the Chain Saw Holder to Gridiron posts, any vertical wall, round trailer rail, or vertical framework, use the CB-01 Chain Saw Holder Bracket.
- 2 The GRIDIRON Chain Saw Holder can be mounted to any suitable horizontal surface or frame such as a trailer rail, pick-up bed, or shelf.
- 3 Fasteners are assembled at the factory but can loosen during shipping. Assemble any loose bolts, washers, and T-nuts only as shown (**NOTE- INCORRECT ASSEMBLY WILL RESULT IN DAMAGE.**)
- 4 Mount the Chain Saw holder using two 5/16-18 x 1 Flat Head Bolts.
- 5 Loosen the Bar Protector and place your saw in the holder as shown. The Bar Protector may be reversed or mounted on the outside of the frame to accommodate most chain saws. Once the saw is sitting square and flat on the frame, tighten the Bar Protector in place.

## Package Contents

Part List			
Qty.	Description	Mfr. Part #	Husq. Part #
1	Base Assy.	102328	531 03 08-71
1	Slide, Saw Holder	102311	531 03 08-72
1	Lock Lever	102258	531 03 08-73
1	Spring, Flat	102257	531 03 08-09
1	Bar Protector	102314	531 03 08-75
3	Bumper	102044	531 03 08-29
1	PVC Cover	102326	531 03 08-77
1	Double T-Nut	102146	531 03 08-78
2	5/16-18x1" Bolt		
2	5/16-18x1" FH Bolt		
2	5/16-18 Nut		
1	5/16-18x1/2" Bolt		
4	5/16" Flat Washer		
3	5/16" Lock Washer		

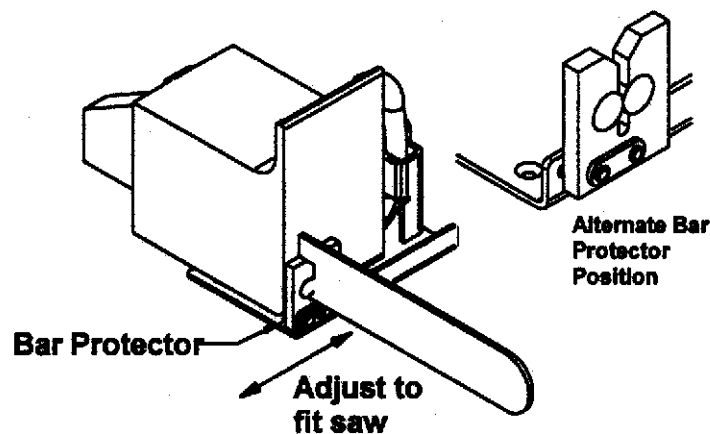


## Operation/Maintenance

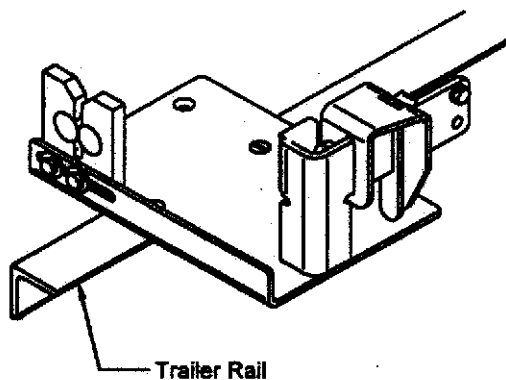
- 1 Squeeze the lock lever to move the slide open. Place the Chain saw in the holder as shown.
- 2 Move the slide until the Chain saw handle is clamped by the slide
- 3 To lock, place a padlock in a hole behind the slide. Place the lock in the storage location when not in use. (Lock not included)

Lubricate slide components as needed to insure smooth operation and corrosion resistance.

## Step 5. Adjust Bar Protector

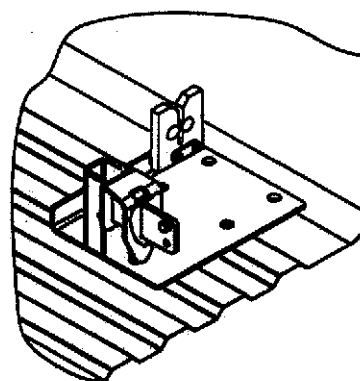


## Mounting Options



Trailer Rail, Angle or Square

To mount the Chain Saw Holder to Gridiron posts, any vertical wall, round trailer rail, or vertical framework, use the CB-01 Chain Saw Holder Bracket (Not Included).



Pickup bed, Trailer deck, Other Horizontal surfaces.

## The GRIDIRON Lifetime Guarantee

We want you to be a satisfied GRIDIRON customer forever so we stand behind our GRIDIRON products with a lifetime guarantee.

### Performance Guarantee

If at any time you are not completely satisfied with the performance of your GRIDIRON product we will correct or replace it. Simply return it to an authorized dealer.

### Replacement agreement for misuse or abuse

Should you damage your GRIDIRON through misuse or abuse, we will replace the item for ½ the current suggested list price. Send the product, shipping prepaid, along with an explanation to Novae Customer Service.

### 15 Day unconditional money back guarantee

If at any time within fifteen (15) days after your purchase you are not satisfied with your GRIDIRON product, return it to the an authorized dealer for full refund.

### Some exceptions

The springs, shock cord elements, and finish provided with your GRIDIRON products are subject to normal wear and tear and are not covered by this guarantee.



## Novae Corp.

PO Box 7  
13531 David Drive, Unit 1  
Grabill, IN 46741  
800-372-1755  
novaecorp.com

© 2000 Novae Corp. All rights reserved