



Backpack Blower Holder Instruction Manual

Thank you for purchasing this Gridiron product

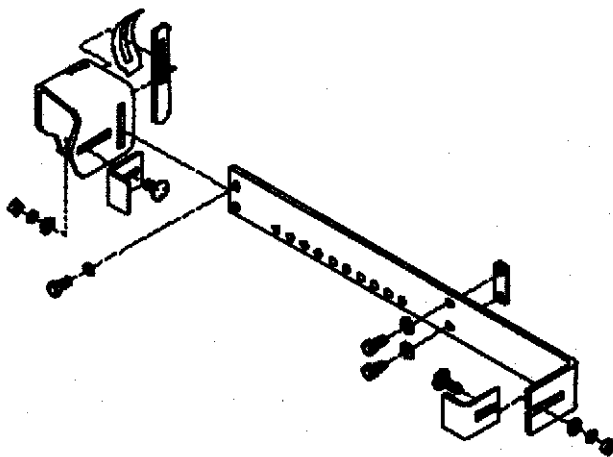
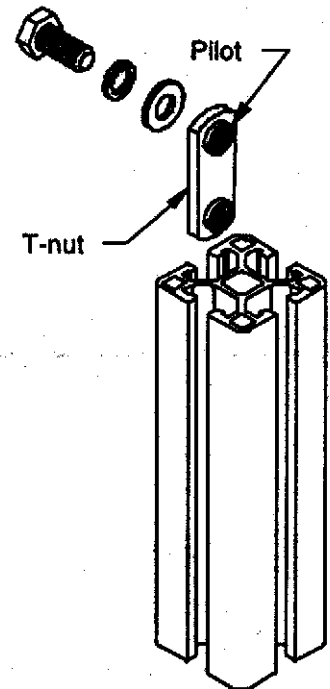
Installation

- 1 The fasteners are assembled at the factory but can loosen during shipping. Assemble any loose bolts, washers, and T-nuts only as shown (NOTE- INCORRECT ASSEMBLY WILL RESULT IN DAMAGE.)
- 2 The GRIDIRON Blower Rack can be mounted to Gridiron Posts or to a 2x4 or other suitable framework, See page 2. (Obtain required hardware locally)
- 3 Mount the blower shelf using 5/16-18 x 3/4 screws, lock and flat washers, and a double T-nut. Tighten in place.
- 4 Place the blower bracket about 8 to 10 inches above the the shelf using 5/16-18 x 3/4 screws, flat washers, and a double T-nut. Adjust up or down to allow easy mounting and dismantling of your blower. Tighten in place.
- 5 Place the blower hooks on the bracket and slide as shown, facing out for wide blower frames or facing in for narrow blower frames. Adjust as necessary for a snug fit.
- 6 Place the blower loop in a suitable location to allow secure storage and easy mounting and dismantling of the blower. It can be placed above on the same Gridiron post, to the side on another Gridiron post, on the trailer rail or wall, or any other suitable location. (Obtain hardware locally for wall or trailer rail mounting)

WARNING!

DAMAGE MAY RESULT

Assemble T-nuts with pilot
to inside of post.

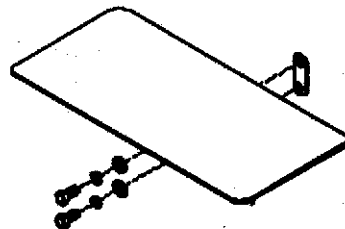


Step 5. Blower hook adjustment

Wide frame
blowers



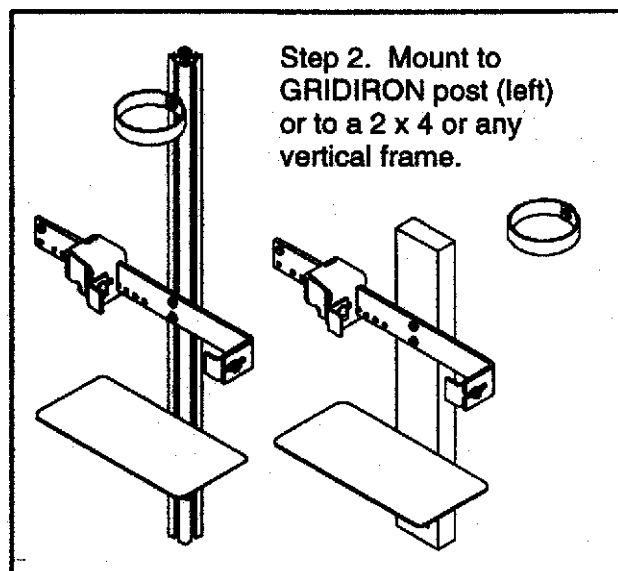
Narrow frame
blowers



Operation/Maintenance

- 1 Squeeze the lock lever to move the slide open. Place the blower on the shelf and slide one side of the blower frame behind the right blower hook.
- 2 Move the slide until the blower frame is clamped by the sliding hook.
- 3 To lock, place a padlock in a hole in the blower bracket so the slide cannot be moved open. Place the lock in the storage location when not in use. (Lock not included)

Lubricate slide components as needed to insure smooth operation and corrosion resistance.



Package Contents

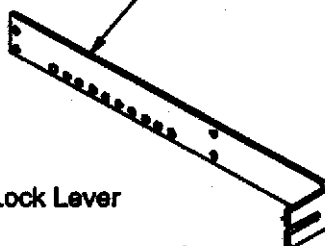
Part List

Qty.	Description	Mfr. Part #	Husq. Part #
1	Blower Brkt.	102141	531 03 08-05
1	Blower Slide	102259	531 03 08-06
1	Lock Lever	102258	531 03 08-73
1	Spring, Flat	102257	531 03 08-09
1	Blower Loop	102144	531 03 08-10
1	Shelf	102138	531 03 08-11
2	Blower Hook	102140	531 03 08-07
2	Double T-Nut	102146	531 03 08-78
1	Single T-Nut	102147	531 03 07-96
2	5/16-18x3/4" Carr. Bolt		
2	5/16-18 Nut		
1	5/16-18x1/2" Bolt		
5	5/16-18x3/4" Bolt		
9	5/16" Flat Washer		
4	5/16" Lock Washer		

Slide



Blower bracket



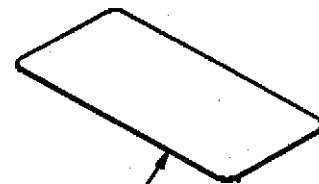
Blower loop



Lock Lever



Shelf



Spring, Flat



Blower hook



The GRIDIRON Lifetime Guarantee

We want you to be a satisfied GRIDIRON customer forever so we stand behind our GRIDIRON products with a lifetime guarantee.

Performance Guarantee

If at any time you are not completely satisfied with the performance of your GRIDIRON product we will correct or replace it. Simply return it to an authorized dealer.

Replacement agreement for misuse or abuse

Should you damage your GRIDIRON through misuse or abuse, we will replace the item for ½ the current suggested list price. Send the product, shipping prepaid, along with an explanation to Novae Customer Service.

15 Day unconditional money back guarantee

If at any time within fifteen (15) days after your purchase you are not satisfied with your GRIDIRON product, return it to the an authorized dealer for full refund.

Some exceptions

The springs, shock cord elements, and finish provided with your GRIDIRON products are subject to normal wear and tear and are not covered by this guarantee.



Novae Corp.

PO Box 7
13531 David Drive, Unit 1
Grabill, IN 46741
800-372-1755
novaecorp.com

© 2000 Novae Corp. All rights reserved