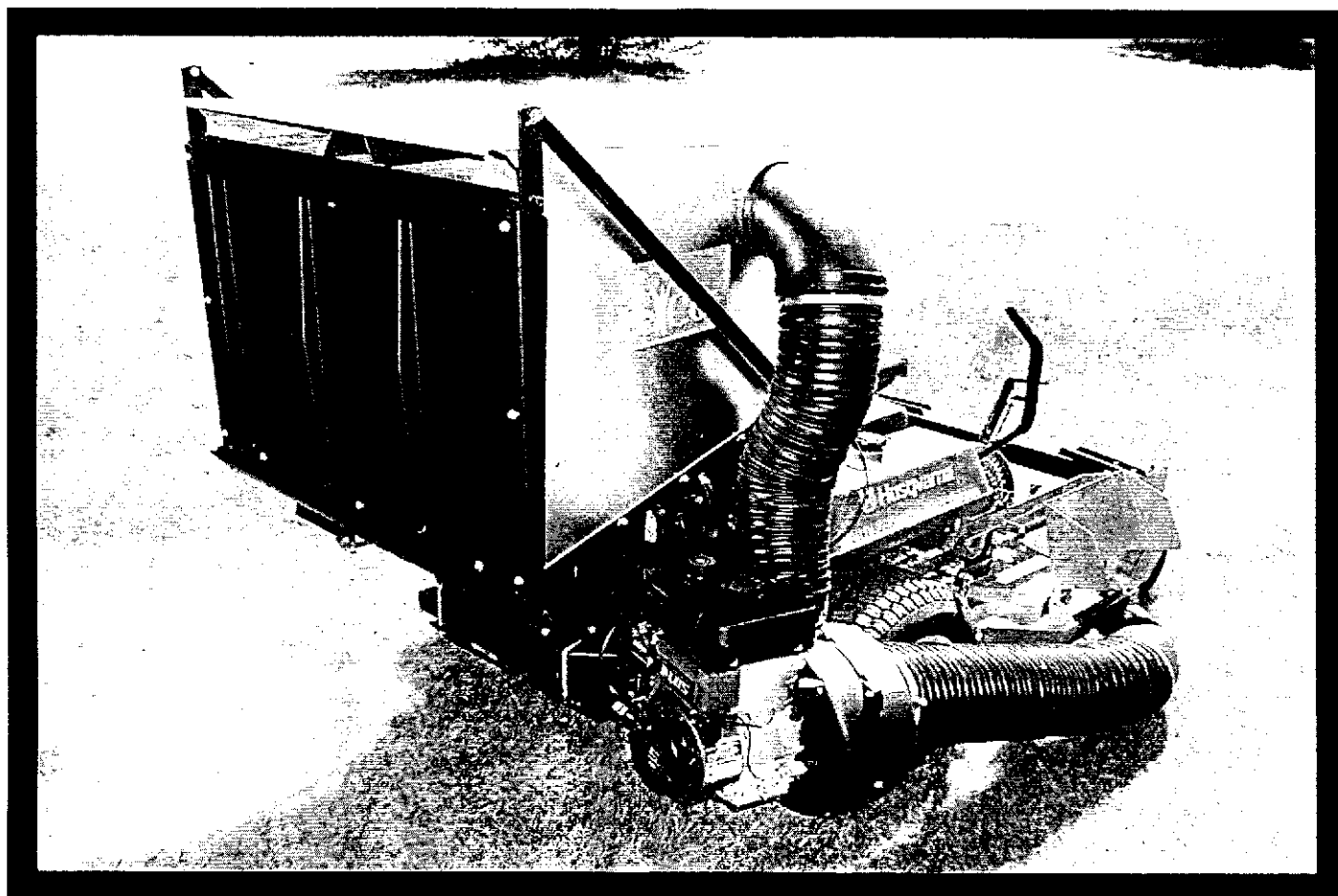


For Husqvarna Parts Call 606-678-9623 or 606-561-4983

MODEL 466212-01

PECO

*PECO OWNERS MANUAL
FOR A HUSQVARNA ZTH UNIT*



CONGRATULATIONS AND THANK YOU FOR BUYING THIS PECO LAWN VACUUM.

Your new PECO Vac has been engineered and manufactured to PECO's high standards for safety, quality, dependability, and ease of operations.

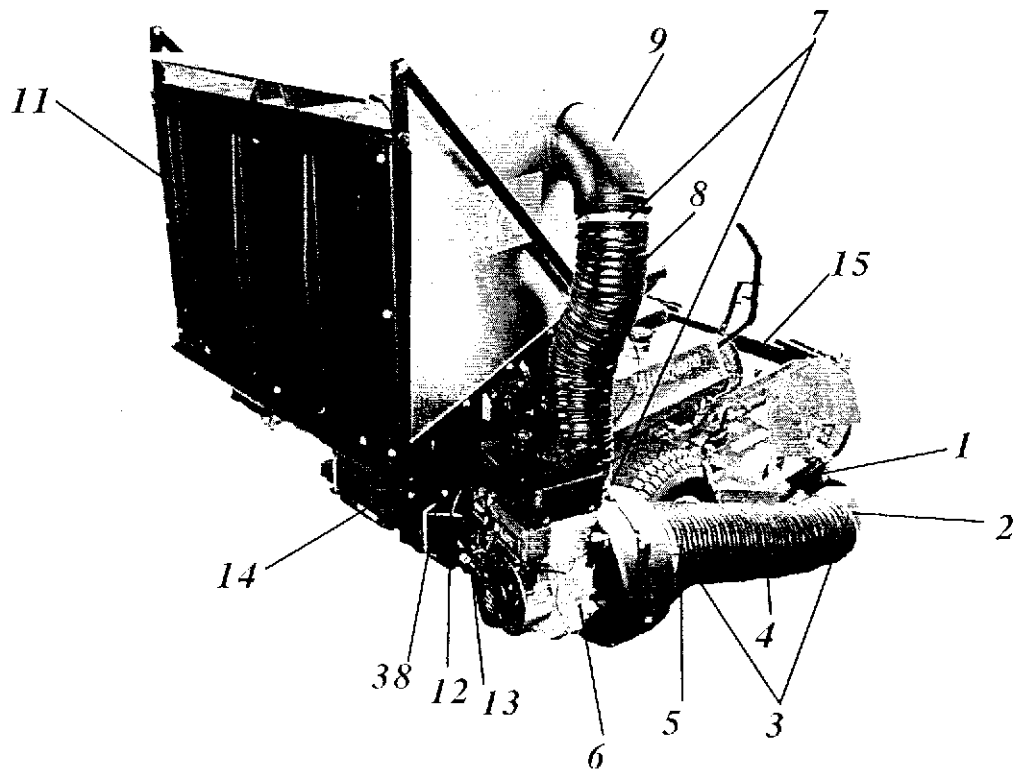
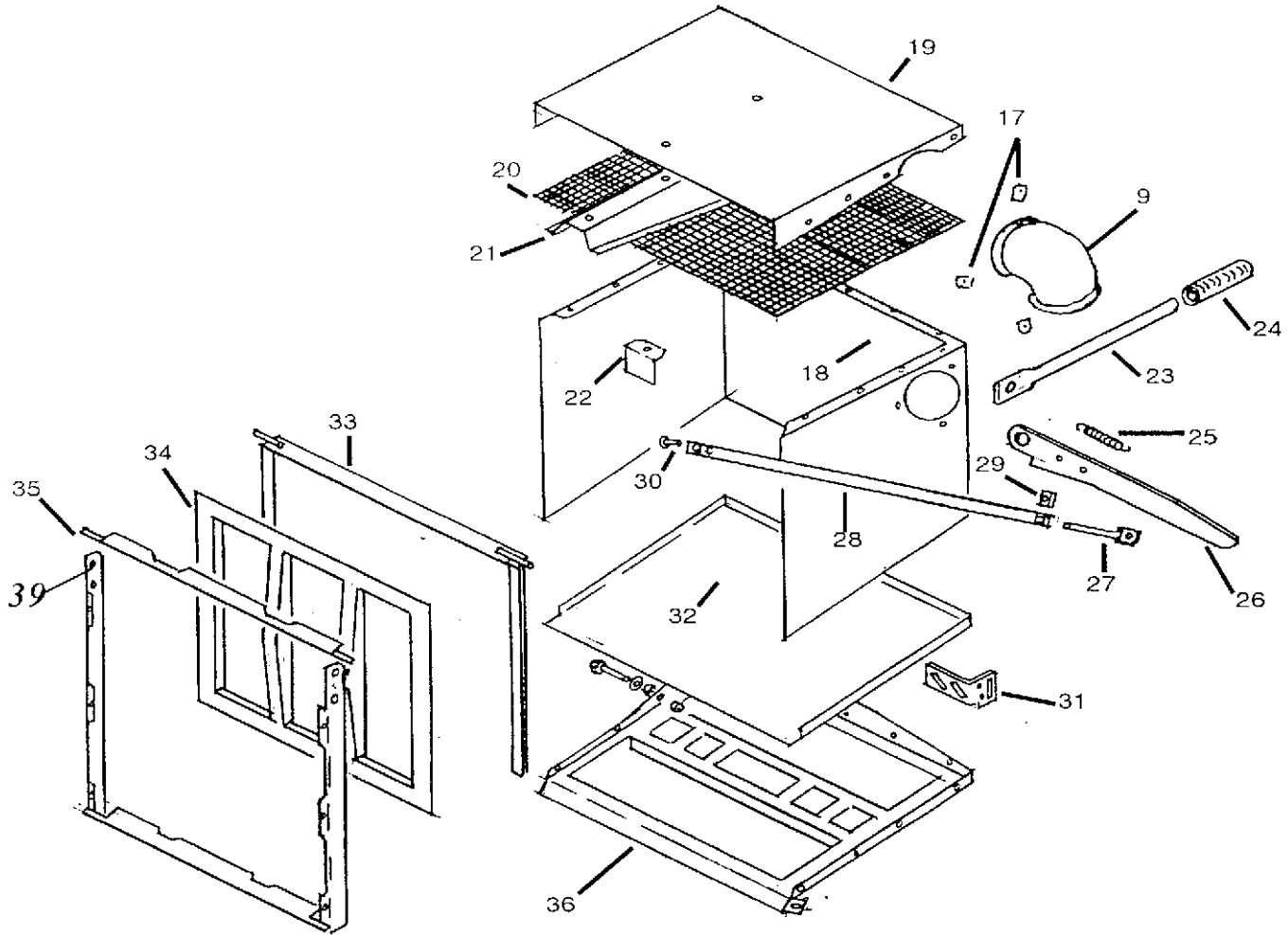
SAVE THIS MANUAL FOR FUTURE REFERENCE

MODEL 466212-01 HUSQVARNA ZTH

PECO

www.mymowerparts.com

PARTS DIAGRAM



PARTS LIST

PECO

REF. NO.	PART NO.	DESCRIPTION	QTY.
1	B1689	BOOT PLATE	1
2	E1022	BOOT	1
3	J6006	7"-8" HOSE CLAMPS	2
4	*****	8" x 44" LOWER HOSE	1
5	E6009	8" BLOWER CONE	1
6	*****	ENGINE/BLOWER/BLADE ASSEMBLY	1
	E4052A	BLOWER HOUSING	
	D1016	6HP KOHLER ENGINE	
	A0914	4 BLADE IMPELLER W/ S4302 BUSHING W/ 1" SHAFT	
	D4002	5HP BRIGGS & STRATTON ENGINE	
	A0645	4 BLADE IMPELLER W/ S4311 BUSHING W/ 3/4" SHAFT	
7	J6011	5"-6" HOSE CLAMPS	2
8	*****	6" x 32" UPPER HOSE	1
9	V1054	INLET	1
10	H80021	HARDWARE BAG	1
11	A0794	12 CUBIC FOOT BOX ASSEMBLY	1
12	A0011	MAIN FRAME ASSEMBLY	1
13	A0942	ENGINE MOUNT ARM ASSEMBLY	1
14	B1117	OUTER ENGINE MOUNT TUBE	1
15	A0931	WEIGHT ASSEMBLY	1
17	B1668	INLET CLAMP	3
18	C0023	ALUMINUM BOX BACK & SIDES	1
19	C0025	ALUMINUM BOX TOP	1
20	B8113	SCREEN	1
21	C0029	SCREEN SUPPORT	1
22	C1184	FILL GAUGE	1
23	B3379	DUMP HANDLE	1
24	J0522	HANDLE GRIP	1
25	J0176	LATCH SPRING	1
26	B2213	LATCH ROD	1
27	A0973	ADJUSTING SCREW ASSEMBLY	2
28	B2526	LINKAGE ROD	2
29	K1422	ADJUSTING NUT	2
30	K1418	LINKAGE PIN	2
31	B3388	LATCH BRACKET	1
32	C0024	ALUMINUM BOX BOTTOM	1
33	A0938	BOX / DOOR FRAME ASSEMBLY	1
34	V1131	PLASTIC DOOR	1
35	B3688	UPPER DOOR MEMBER	1
36	B3387	BOX SUPPORT / HINGE ASSEMBLY	1
37	B2583	ENGINE MOUNT BRACKETS	4
38	B2580	LOWER MAIN FRAME BRACES	2
39	A0738	DOOR FRAME ASSEMBLY	1