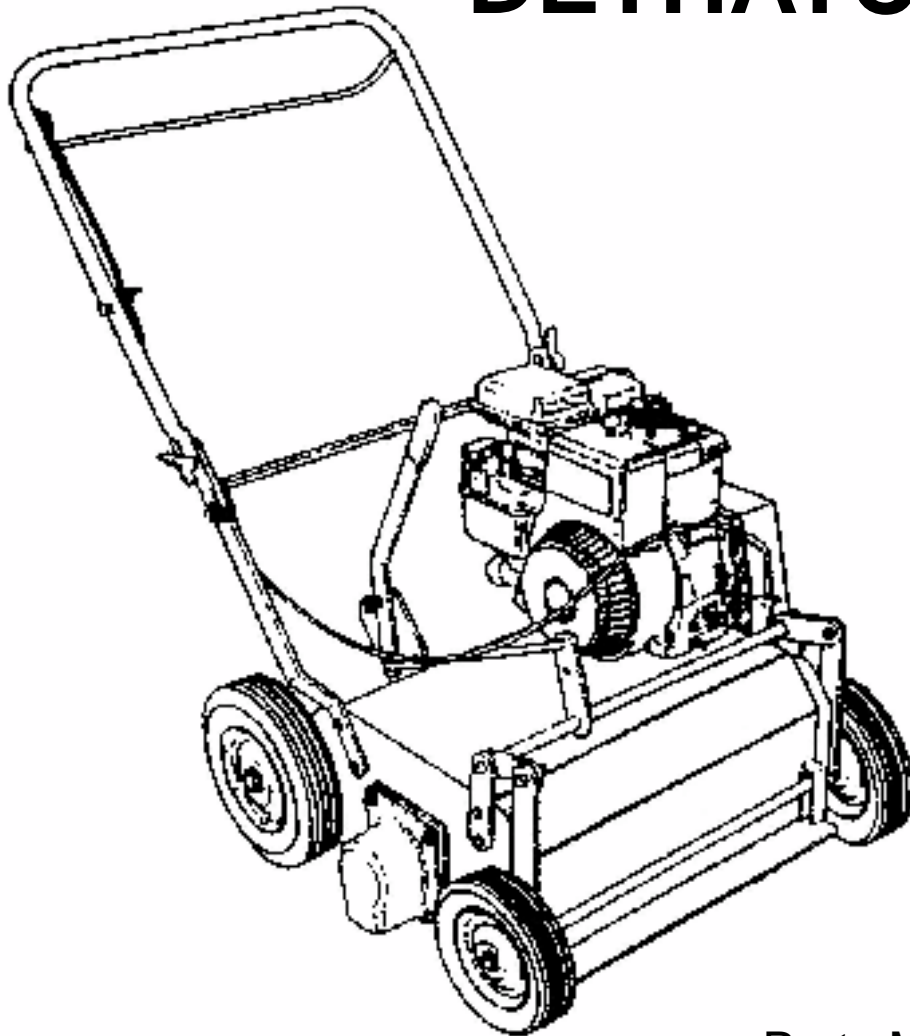




# Husqvarna

## DETHATCHER



Parts Manual for:  
MODEL / I.D. : 968999190 / DT20A

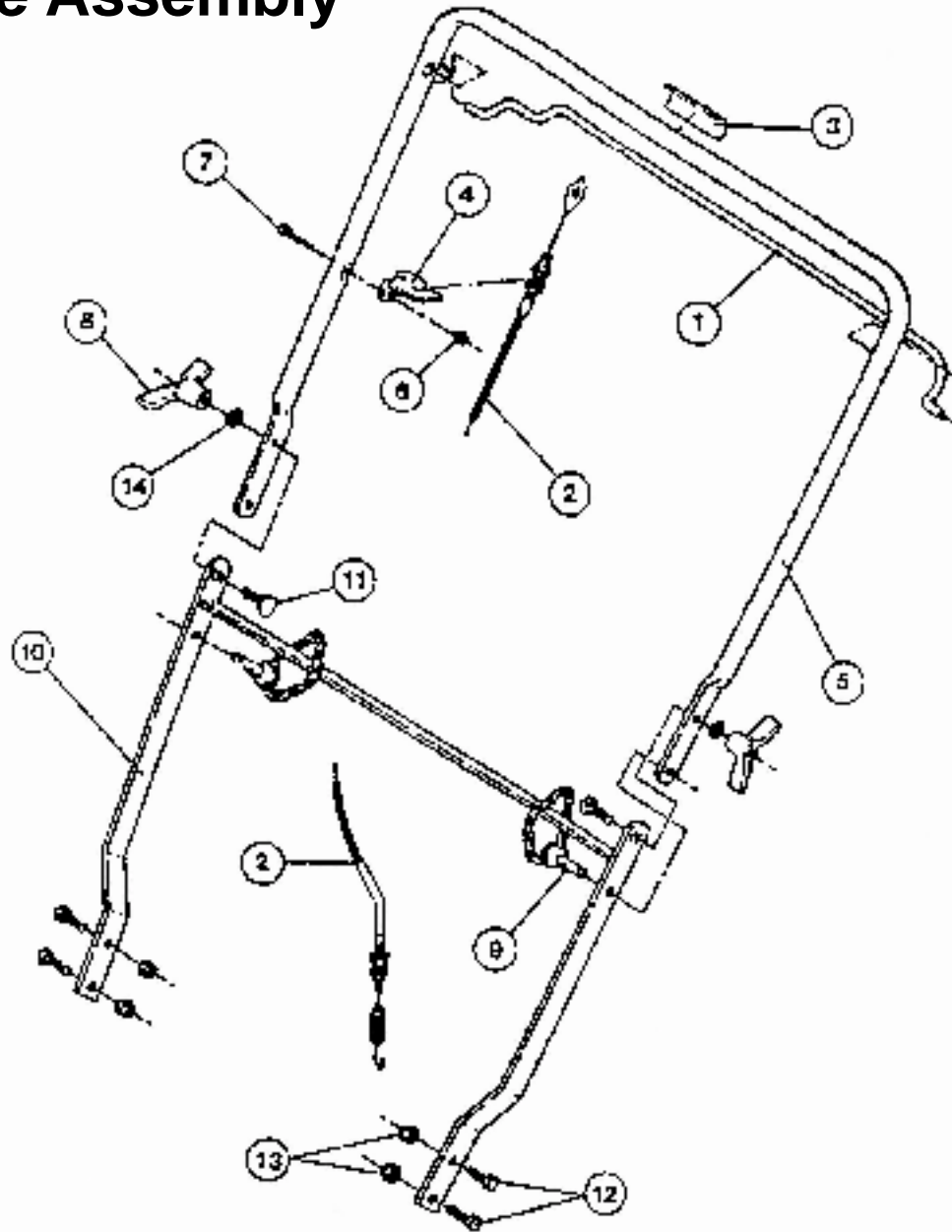
**Husqvarna Turf Care Division** policy is to improve its products whenever it is possible and practical to do so. In an effort to keep pace with changes in technology, Husqvarna reserves the right to make changes or improvements at any time without incurring any obligation to make such changes on products previously manufactured.

**SERVICE RECORD**

**NOTES**

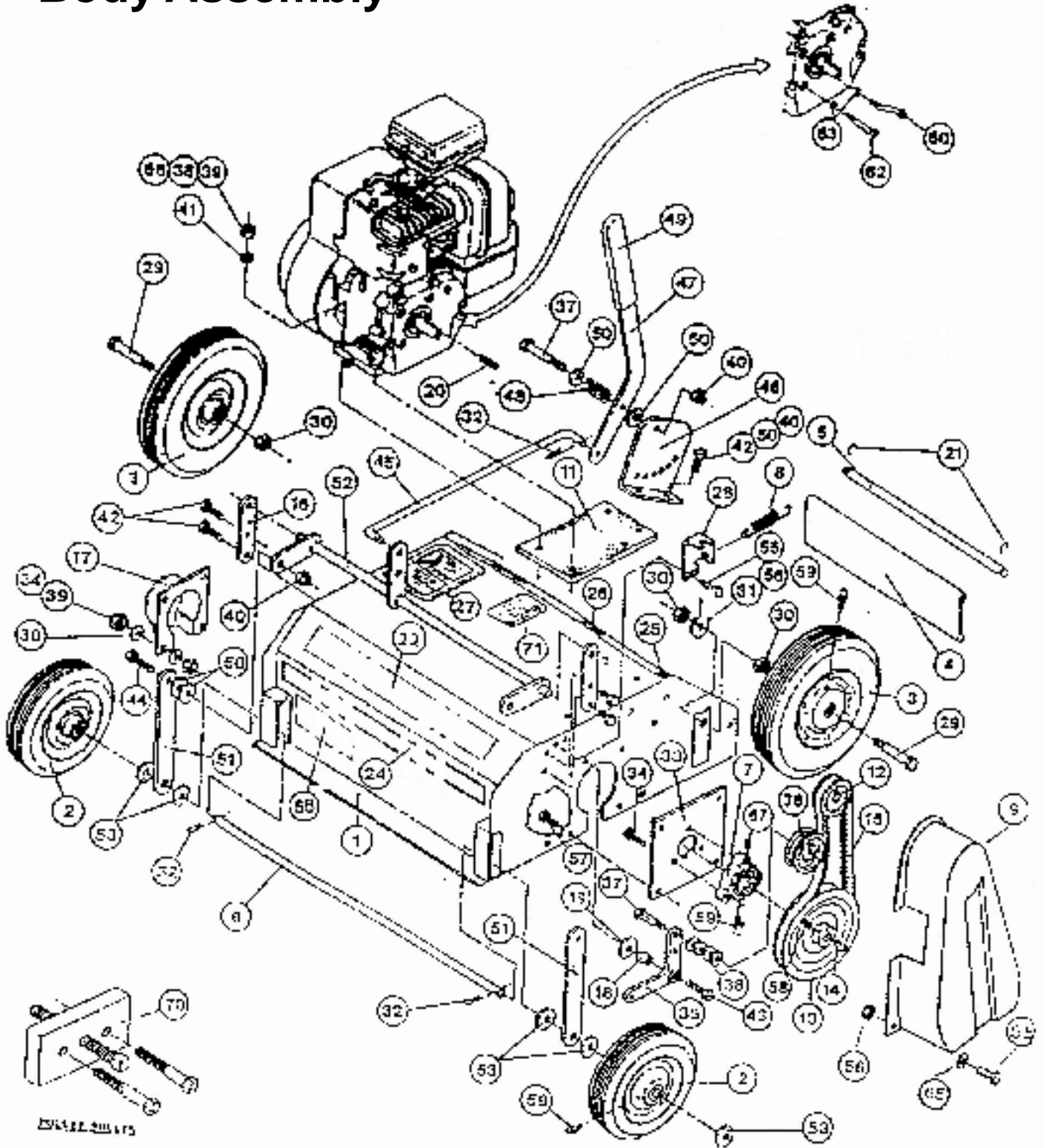
Model No. \_\_\_\_\_  
Serial No. \_\_\_\_\_

# Handle Assembly



PART		
ITEM NO.	QTY.	DESCRIPTION
1	1	539100491 Clutch Bail
2	1	539100492 Clutch Cable
3	1	539100493 Clutch Control Decal
4	1	539100494 Cable Mounting Bracket
5	1	539100483 Upper Handle
6	1	539976978 1/4-20 Nyloc Nut
7	1	539990639 1/4-20 x 1-1/2 Hex Cap Screw
8	2	539100481 Knob
9	2	539100518 Detent Pin Assembly
10	1	539100507 Lower Handle
11	2	539100472 5/16-18 x 1-1/4 Carriage Bolt
12	4	539990563 3/8-16 x 1 Hex Cap Screw
13	4	539976979 3/8-16 Nyloc Nut
14	2	539990187 5/16 Split Lock Washer

# Body Assembly

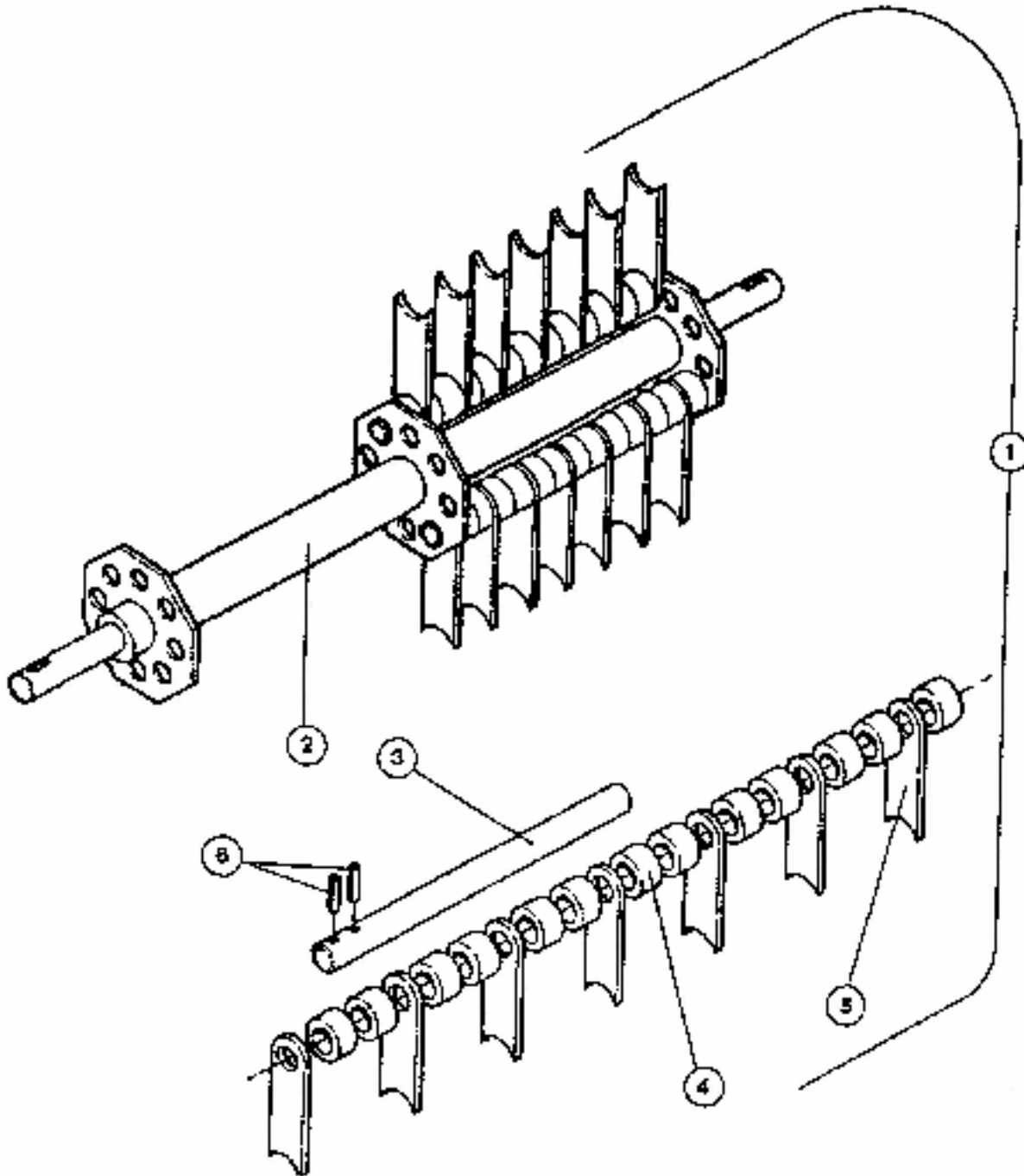


## Body Assembly

ITEM	PART NO.	QTY.	DESCRIPTION
1	539104550	1	Dethatcher Body w/Decals
1	539100873	1	Slicer Body w/Decals
2	539104549	2	Front Wheel
3	539104548	2	Rear Wheel
4	539100508	1	Deflector Shield
5	539100512	1	Deflector Rod
6	539100509	1	Front Axle
7	539100488	2	Flanged Bearing
8	539976564	1	Extension Spring
9	539976086	1	Belt Guard
11	539100480	1	Engine Pad
12	539100516	1	Engine Drive Pulley
13	539100511	1	Main Shaft Pulley
14	539910211	1	#9 Woodruff Key
15	539100439	1	Drive Belt
16	539100513	2	Pivot Arm
17	539976524	1	Shaft Guard
18	539100482	1	Oilite Bearing
19	539100514	1	Spacer
20	539100471	1	3/16 Square x 1-3/4 Key
21	539100470	2	5/16 Retaining Ring
22	539104790	1	Decal, Husqvarna
24	539104793	1	Decal, DT20
25	539913010	1	Warning Decal, Small
26	539100342	1	Warning Decal, Large
27	539100506	1	Adjusting Decal
28	539100504	1	Cable Bracket
29	539100464	2	5/8-11 x 4 Axle Bolt
30	539100476	4	5/8-11 Hex Jam Nut
31	539990333	2	5/8 Split Lock Washer
32	539990365	4	1/8 x 3/4 Cotter Pin
33	539100487	2	End Plate
34	539100469	10	5/16-18 x 1-1/4 Tap Bolt

ITEM	PART NO.	QTY.	DESCRIPTION
35	539100485	1	Bell Crank
36	539919078	1	Idler Pulley
37	539990588	2	3/8-16 x 2 Hex Cap Screw
38	539990692	16	5/16 Flat Washer
39	539990717	22	5/16-18 Nyloc Nut
40	539976979	11	3/8-16 Nyloc Nut
41	539990187	4	5/16 Split Lock Washer
42	539990563	6	3/8-16 x 1 Hex Cap Screw
43	539990655	1	3/8-16 x 1-1/2 HCS
44	539976941	2	3/8-16 x 1-1/4 HCS
45	539100496	1	Linkage Arm
46	539976121	1	Adjustment Gauge
47	539100498	1	Adjusting Lever
48	539976438	1	Compression Spring
49	539976526	1	Lever Grip
50	539990517	8	3/8 Flat Washer
51	539100501	2	Lift Arm
52	539100500	1	Height Adjusting Rod
53	539990550	6	1/2 Flat Washer
55	539990072	5	1/4-20 x 5/8 Hex Cap Screw
56	539976978	5	1/4-20 Nyloc Nut
57	539990206	4	5/16-18 x 3/4 Hex Cap Screw
58	539976956	3	5/16-18 x 3/8 Set Screw
59	539976998	6	1/4-28 Straight Grease Zerk
60	539100521	1	Belt Guide, Offset
62	539100573	1	5/16-24 x 2-3/4 HCS
63	539100561	2	5/16-24 Hex Jam Nut
65	539990598	3	1/4 Flat Washer
66	539990669	4	5/16-18 x 1-3/4 HCS
67	539977679	2	#10-32 x 1/4 Set Screw
68	539105071	1	Decal, Nascar
70	539100907	1	Pulley Puller (Optional)
71	539101881	1	Decal, Warning

# Dethatcher Shaft Assembly Accessory # 539100414

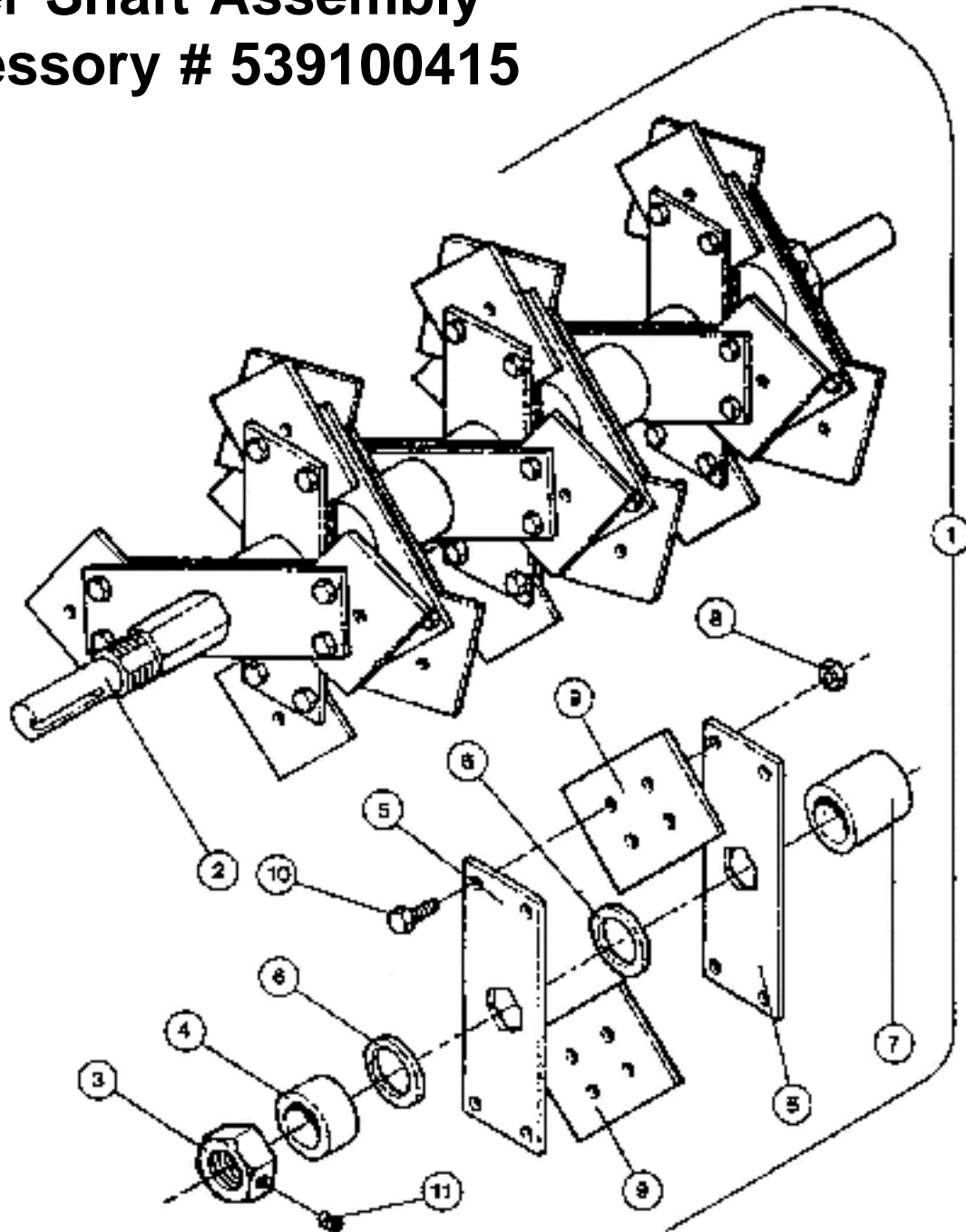


## PART

ITEM	NO.	QTY.	DESCRIPTION
1	....539100414....	1....	Complete Dethatcher Shaft
2	....539100524....	1....	Dethatcher Shaft, Bare
3	....539100525....	4....	Satellite Shaft
4	....539100526....	52...	Spacer
5	....539100527....	28...	Finger
6	....539100528....	8....	1/8 x 7/8 Roll Pin

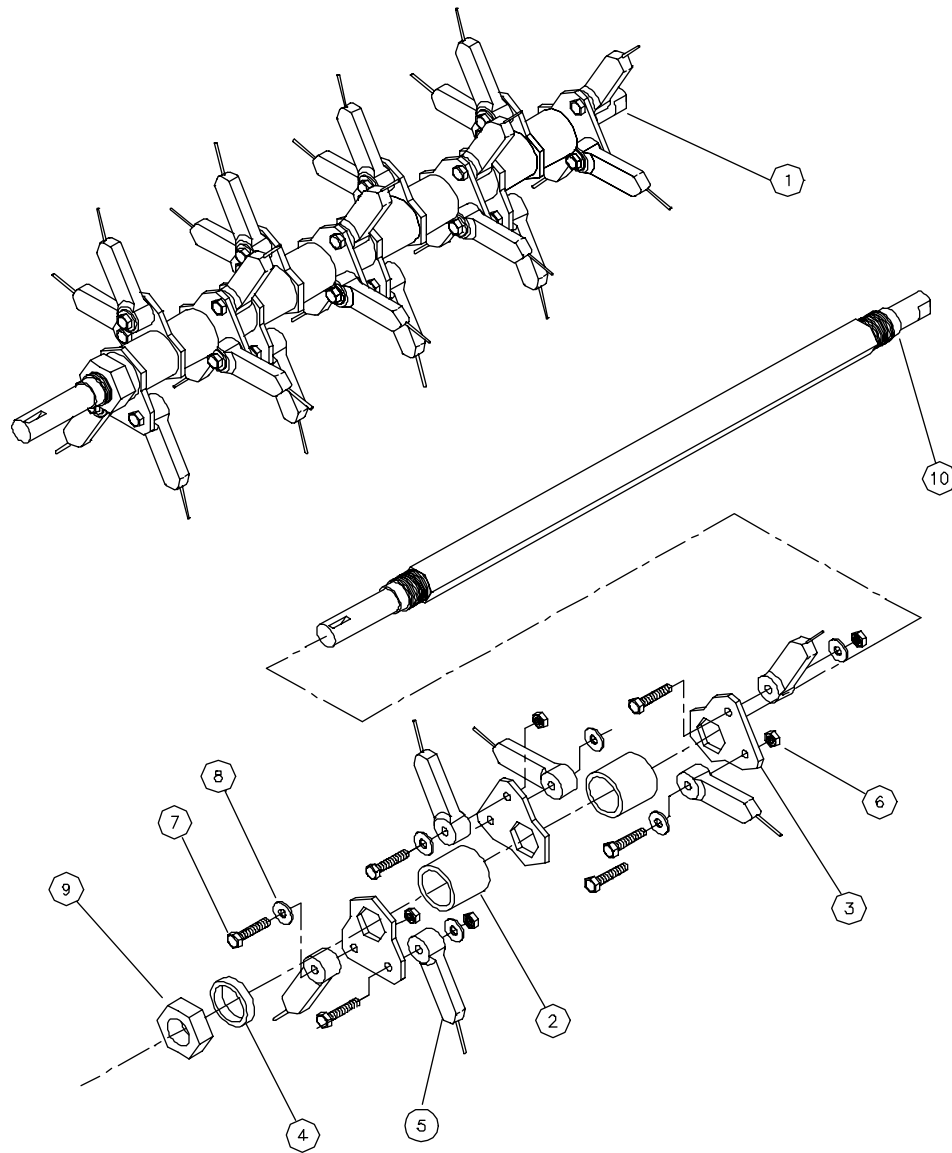


# Slicer Shaft Assembly Accessory # 539100415



ITEM	PART NO.	QTY.	DESCRIPTION
1	539100415	1	Complete Slicer Shaft
2	539100529	1	Slicer Shaft, Bare
3	539100530	2	Jam Nut w/Set Screw
4	539100531	2	Sleeve Spacer (Short)
5	539100532	20	Blade Holder Plate
6	539100533	12	Blade Washer
7	539100534	9	Sleeve Spacer (Long)
8	539976978	40	1/4-20 Nyloc Nut
9	539100536	20	Slicer Blade
10	539990072	40	1/4-20 x 5/8 Hex Cap Screw
11	539976956	2	5/16-18 x 3/8 Set Screw

# Spring Tine Shaft Assembly Accessory # 539103556

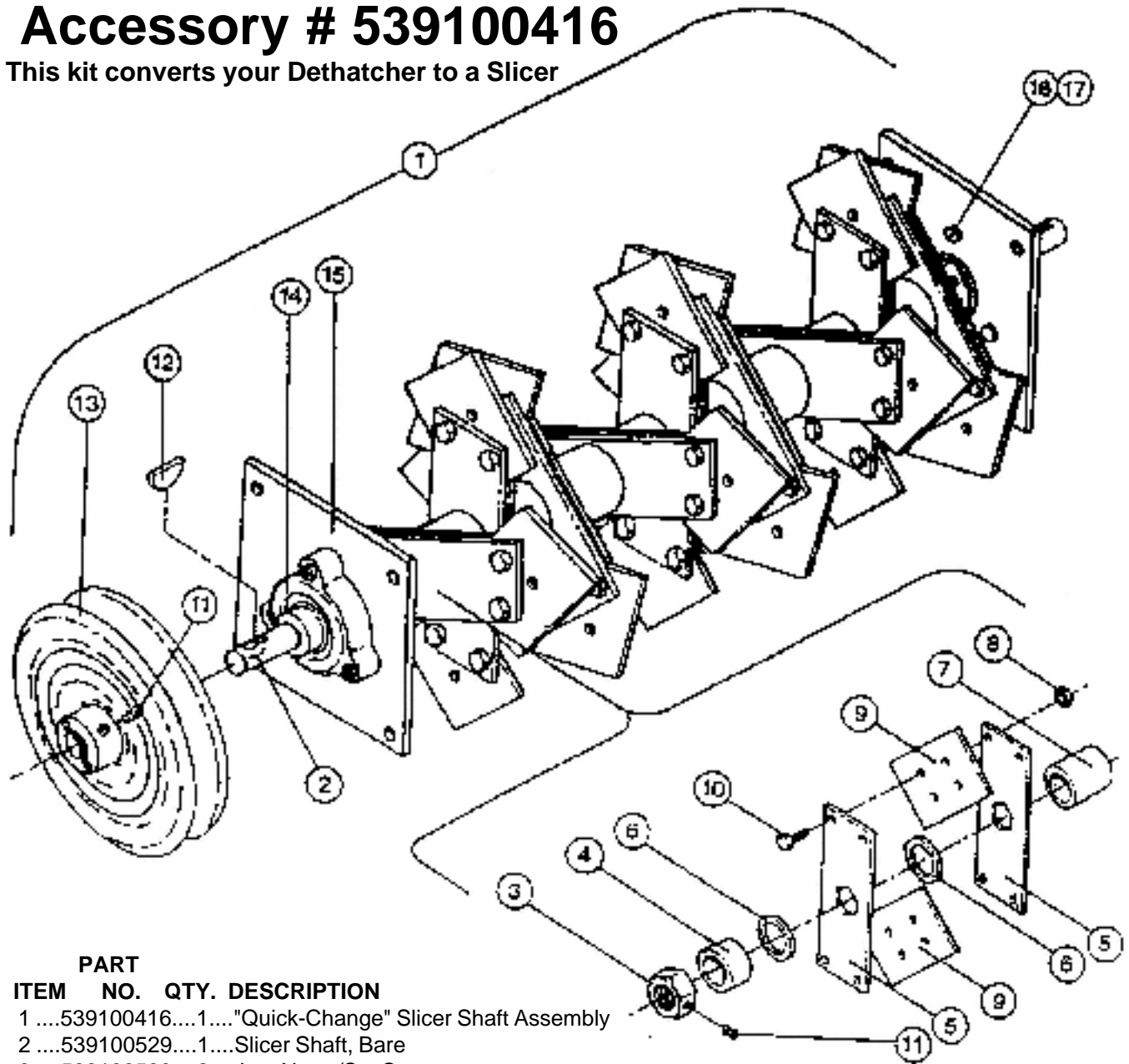


PART			
ITEM	NO.	QTY.	DESCRIPTION
1	....539103556....	1....	Complete Rake Shaft
2	....539103550....	11...	Spacer, Long
3	....539103548....	12...	Plate, Spring Tine
4	....539103551....	2...	Spacer, Short
5	....539103553....	24...	Spring, Tine
6	....539976978....	24....	1/4c Hex Locknut
7	....539100266....	24....	1/4 x 1-1/4 Hex Bolt
8	....539990598....	24....	1/4" Flat Washer
9	....539100530....	2....	Jam Nut W/Setscrews
10	....539103552....	1....	Shaft, Spring Tine



# "Quick-Change" Slicer Shaft Conversion Accessory # 539100416

This kit converts your Dethatcher to a Slicer



## PART

ITEM	NO.	QTY.	DESCRIPTION
1	539100416	1	"Quick-Change" Slicer Shaft Assembly
2	539100529	1	Slicer Shaft, Bare
3	539100530	2	Jam Nut w/Set Screw
4	539100531	2	Sleeve Spacer (Short)
5	539100532	20	Blade Holder Plate
6	539100533	12	Blade Washer
7	539100534	9	Sleeve Spacer (Long)
8	539976978	40	1/4-20 Nyloc Nut
9	539100536	20	Slicer Blade
10	539990072	40	1/4-20 x 5/8 Hex Cap Screw
11	539976956	2	5/16-18 x 3/8 Set Screw
12	539910211	1	#9 Woodruff Key
13	539100511	1	Main Shaft Pulley
14	539100488	2	Flanged Bearing
15	539100487	2	End Plate
16	539100469	6	5/16-18 x 1-1/4 Tap Bolt
17	539990717	6	5/16-18 Nyloc Nut

For Husqvarna Parts Call 606-678-9623 or 606-561-4983

