

For Husqvarna Parts Call 606-678-9623 or 606-561-4983

ILLUSTRATED PARTS BREAKDOWN

HUSQVARNA

13 HP 36" (92CM) LAWN TRACTOR

MODEL NO. CT130 (HECT130C)

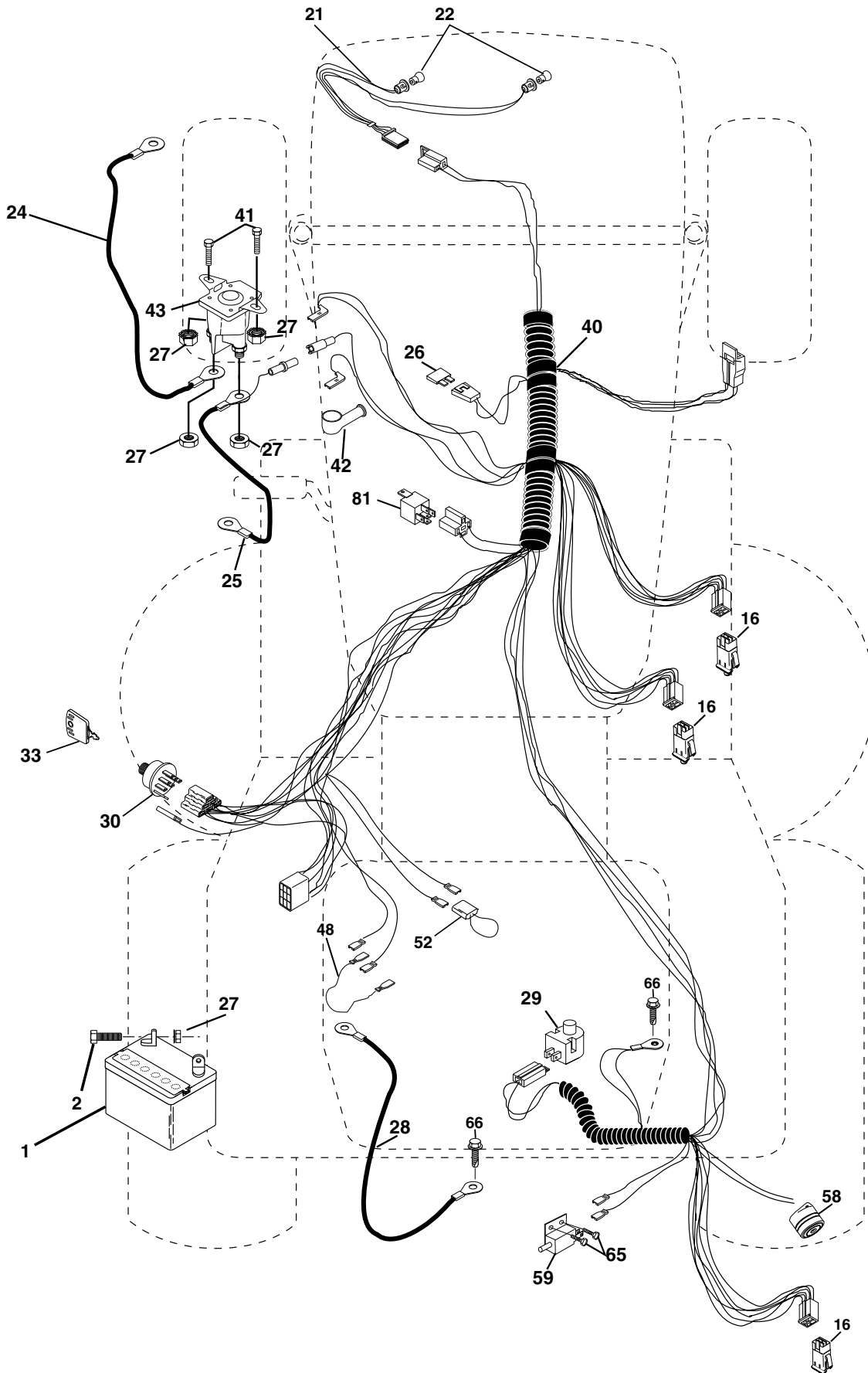
954 17 00-17

For Husqvarna Parts Call 606-678-9623 or 606-561-4983

REPAIR PARTS

TRACTOR- -MODEL NO. CT130 (HECT130C) PRODUCT NO. 954 17 00-17

ELECTRICAL



For Husqvarna Parts Call 606-678-9623 or 606-561-4983

REPAIR PARTS

TRACTOR- -MODEL NO. CT130 (HECT130C) PRODUCT NO. 954 17 00-17
ELECTRICAL

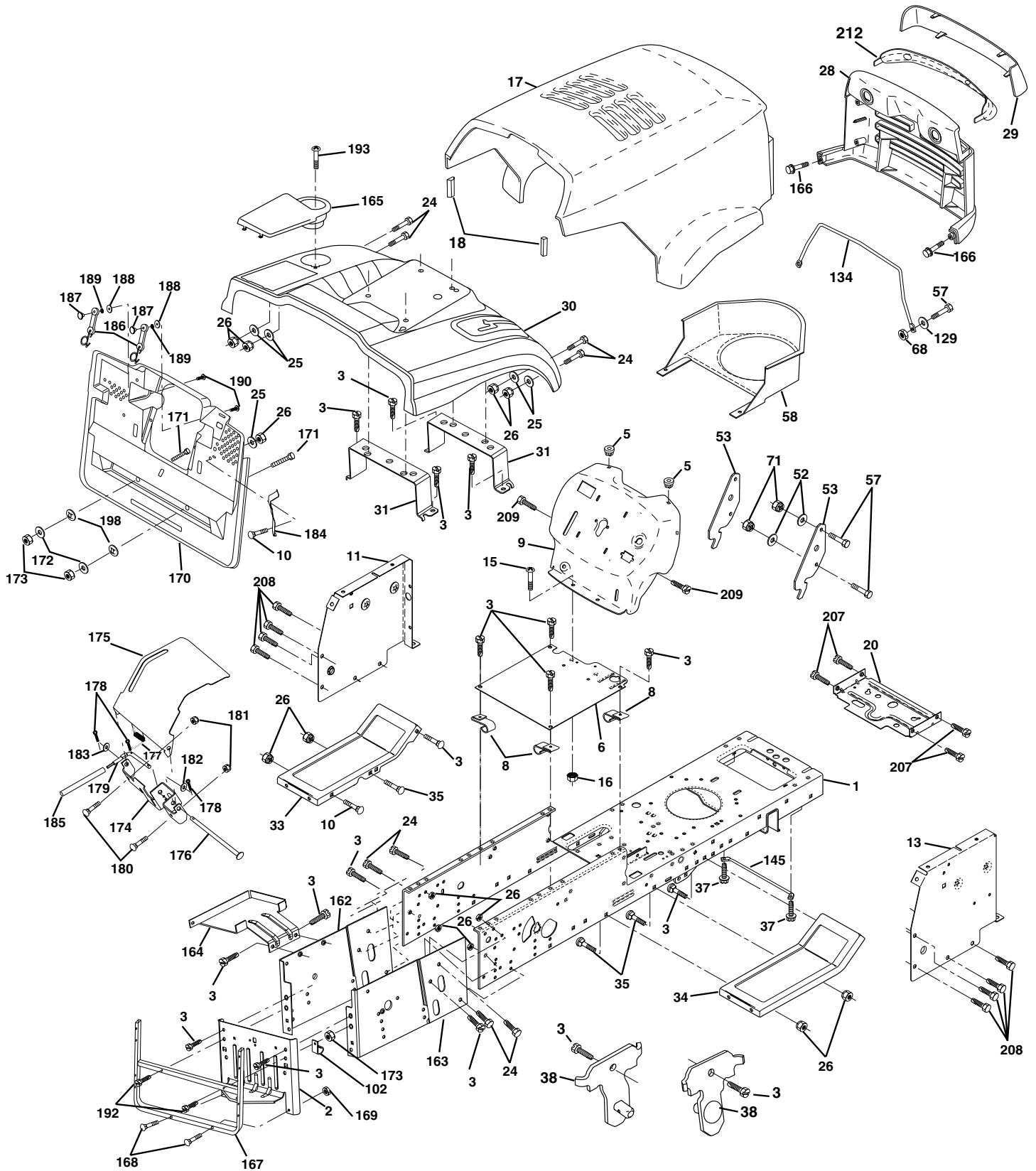
| KEY NO. | PART NO. | DESCRIPTION |
|---------|-----------|-----------------------------------|
| 1 | 532144925 | Battery 12 Volt 25 AMP Wet |
| 2 | 874760412 | Bolt Hex Hd 1/4-20 Unc X 3/4 |
| 16 | 532153664 | Switch Interlock Push-In |
| 21 | 532166181 | Harness Asm Light W/4152J |
| 22 | 532004152 | Bulb Light #1156 |
| 24 | 532124780 | Cable Starter 6Ga 11" Red |
| 25 | 532165987 | Cable Battery Crd 56" Red |
| 26 | 532166180 | Fuse 15 Amp |
| 27 | 873510400 | Nut Keps Hex 1/4-20 Unc |
| 28 | 532127725 | Cable Ground 6Ga 18" Black |
| 29 | 532160784 | Switch Plunger Normal Op Olive |
| 30 | 532163968 | Switch Ignition |
| 33 | 532140401 | Key Ign Molded |
| 40 | 532170164 | Harness Ign Crd Noram |
| 41 | 871110408 | Bolt Flk Fin Hex 1/4-20 Unc X 1/2 |
| 42 | 532131563 | Cover Terminal Red |
| 43 | 532145673 | Solenoid |
| 48 | 532140844 | Adapter Ammeter Rectangular |
| 52 | 532141940 | Protection Wire Loop |
| 58 | 532169419 | Buzzer Crd |
| 59 | 532166299 | Switch FBI CRD |
| 65 | 817211008 | Screw Slftp #10-16 x 1/2 Ty-Ab |
| 66 | 817490608 | Screw Thdrol 3/8-16 x 1/2 Ty-Tt |
| 81 | 532109748 | Relay Asm |

NOTE: All component dimensions given in U.S. inches.
1 inch = 25.4 mm.

For Husqvarna Parts Call 606-678-9623 or 606-561-4983

REPAIR PARTS

TRACTOR- -MODEL NO. CT130 (HECT130C) PRODUCT NO. 954 17 00-17
CHASSIS AND ENCLOSURES



REPAIR PARTS

TRACTOR- -MODEL NO. CT130 (HECT130C) PRODUCT NO. 954 17 00-17

CHASSIS AND ENCLOSURES

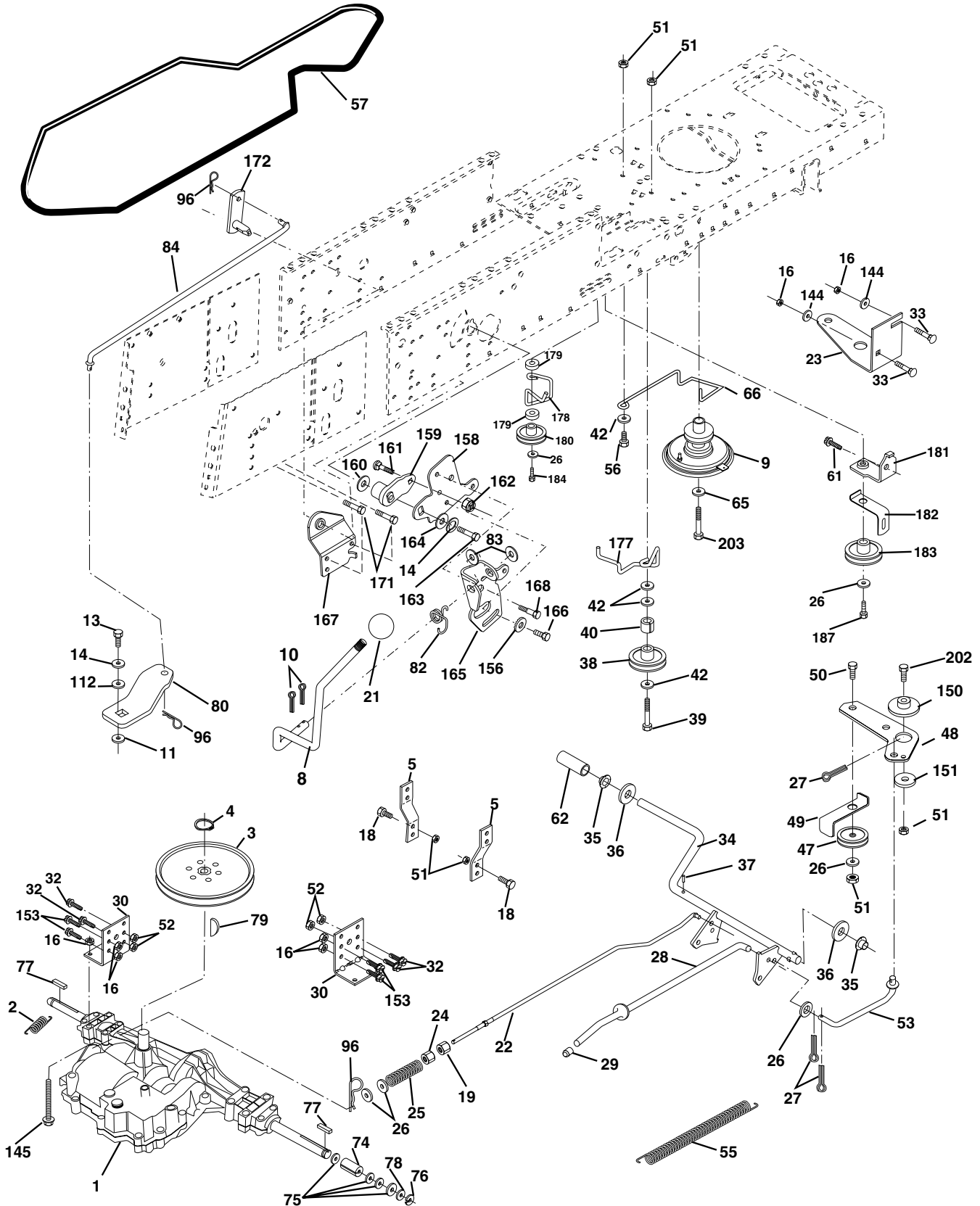
| KEY NO. | PART NO. | DESCRIPTION | KEY NO. | PART NO. | DESCRIPTION |
|---------|------------------|--|---------|------------------|------------------------------------|
| 1 | 532169831 | Chassis Stamping | 163 | 532165673 | Bracket Exten Chassis Rh CRD |
| 2 | 532165606 | Drawbar | 164 | 532165605 | Support Battery CRD |
| 3 | 817060612 | Screw 3/8-16 x 3/4 | 165 | 532167979 | Cover Battery CRD Lt |
| 5 | 532155272 | BumperHood/Dash | 166 | 532164863 | Screw Hwhd Hi-Lo #13-16 x 3/4 |
| 6 | 532155923 | Saddle | 167 | 532165779 | Support Asm. Backplate WLDMNT |
| 8 | 532126471 | Clip Insulator 13/32 Mtg. Hole | 168 | 872050412 | Bolt, RDHD SHT NK 1/4-20 x 1-1/2 |
| 9 | 532171796 | Dash | 169 | 532123976 | Nut, Lock 1/4 LGE FLG Gr. 5 Zinc |
| 10 | 872140608 | Bolt, Carriage 3/8-16 x 3/4 | 170 | 532165607 | Cover, Backplate Plastic Black |
| 11 | 532155927 | Panel, Dash, L.H. | 171 | 874520640 | Bolt Hex 3/8-16 x 2-1/2 Gr. 5 |
| 13 | 532172108 | Panel, Asm. Dash R.H. | 172 | 819132016 | Washer 13/32 x 1-1/4 x 16 Ga. |
| 15 | 874180512 | Screw, Machine, Truss Head 5/16-18 UNC x 3/4 | 173 | 873510600 | Nut, Keps Hex 3/8-16 UNC |
| 16 | 873510500 | Nut | 174 | 532165939 | Bracket Switch FBI CRD |
| 17 | 532165378 | Hood Assembly | 175 | 532166212 | Guard Door Rear CRD |
| 18 | 532126938 | BumperHood | 176 | 532128600 | Pin Hinge Pivot |
| 20 | 532156437 | Plate Mtg. Battery/Fuel Tank | 177 | 532132796 | Spring Bagger Top LH Black |
| 24 | 874780616 | Bolt | 178 | 876020312 | Pin Cotter 3/32 x 3/4 Cad Zinc |
| 25 | 819131312 | Washer 13/32 x 13/16 x 12 Gauge | 179 | 532165942 | Rod Pivot FBI CRD |
| 26 | 873800600 | Nut | 180 | 874760516 | Bolt Hex HD 5/16-18 UNC x 1 |
| 28 | 532165379 | Grille PL | 181 | 873680500 | Nut Crownlock 5/16-18 |
| 29 | 532165380 | Lens, Grille | 182 | 532138200 | Washer .385 x .625 x 11 Ga. |
| 30 | 532168428 | Fender | 183 | 819131316 | Washer 13/32 x 13/16 x 16 Ga. |
| 31 | 532165156 | Bracket, Fender Support | 184 | 532166139 | Bracket Actuator Bagger CRD |
| 33 | 532147203 | Footrest, L.H. | 185 | 532165940 | Tube Lever Switch FBI CRD |
| 34 | 532147202 | Footrest, R.H. | 186 | 532160793 | Latch Asm Mulch/Bagger |
| 35 | 872110606 | Bolt | 187 | 532125004 | Nut Weld |
| 37 | 817490508 | Screw Thdrol 5/16-18 x 1/2 TYT | 188 | 819061216 | Washer #10 |
| 38 | 532169834 | Bracket Asm Pivot Mower Rear | 189 | 810071000 | Washer Lock #10 |
| 52 | 819091416 | Washer 9/32 x 7/8 x 16 Ga. | 190 | 871161010 | Washer Truss Head Phil 10-24 x 5/8 |
| 53 | 532150067 | Bracket Pick off LT/PI Husq | 192 | 817490624 | Screw Thdrol 3/8-16 x 1-1/4 |
| 57 | 874780412 | Bolt, Fin Hex 1/4-20 UNC x .75 | 193 | 817070412 | Screw Truss 1/4-20 x 3/4 Tap/R |
| 58 | 532150127 | Duct Air Engine PI/Lt | 198 | 532168937 | Nut Push |
| 68 | 873510400 | Nut Keps Hex 1/4-20 Unc | 207 | 817670508 | Screw Thdrol 5/16-18 x 1/2 |
| 71 | 873680400 | Nut Crownlock 1/4-20 Unc | 208 | 817670608 | Screw Thdrol 3/8-16 x 1/2 |
| 102 | 532124996 | Clip Line Fuel 13-13/32 Mtg. Hole | 209 | 817000612 | Screw Hexwsh Thdr 3/8-16 x 3/4 |
| 129 | 819091016 | Washer 9/32 x 5/8 x 16 Ga. | 212 | 532156195 | Insert Lens Reflective |
| 134 | 532160219 | Rod Support Hood Husq P/L | -- | 532005479 | Plug, Button |
| 145 | 532156524 | Rod Pivot Chassis/Hood | | | |
| 162 | 532165672 | Bracket Exten Chassis Lh CRD | | | |

NOTE: All component dimensions given in U.S. inches.
1 inch = 25.4 mm.

For Husqvarna Parts Call 606-678-9623 or 606-561-4983

REPAIR PARTS

TRACTOR- -MODEL NO. CT130 (HECT130C) PRODUCT NO. 954 17 00-17
DRIVE



REPAIR PARTS

TRACTOR- -MODEL NO. CT130 (HECT130C) PRODUCT NO. 954 17 00-17
DRIVE

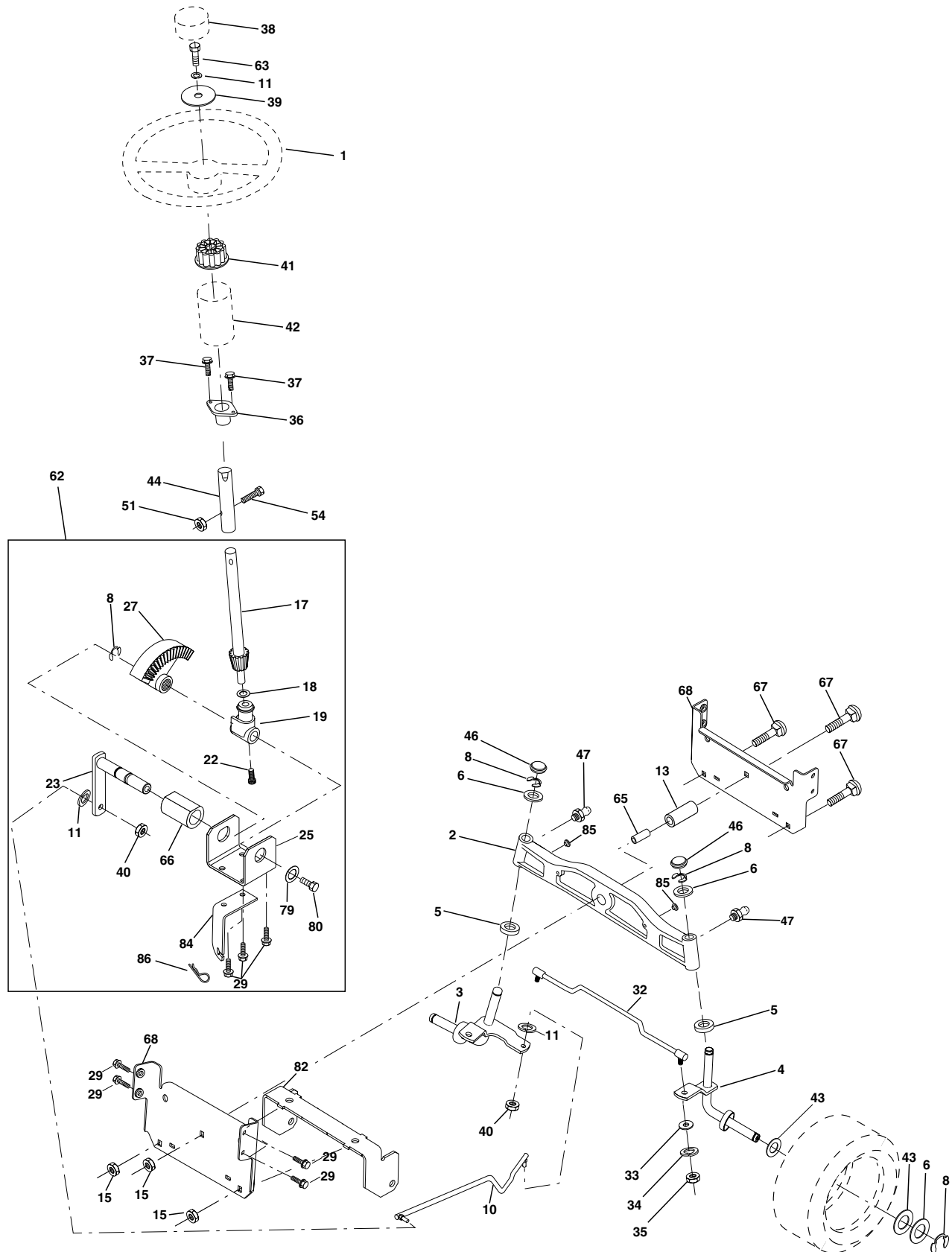
| KEY NO. | PART NO. | DESCRIPTION | KEY NO. | PART NO. | DESCRIPTION |
|---------|------------------|---|---------|------------------|------------------------------------|
| 1 | ----- | Transaxle Peerless 206-546 (Order parts from transaxle manufacturer) | 62 | 532123533 | Cover, Pedal |
| 2 | 532146682 | Spring Brake Return | 65 | 810040700 | Washer |
| 3 | 532165999 | Pulley Transaxle | 66 | 532154778 | Keeper, Belt Engine F-Proof |
| 4 | 812000028 | Ring Retainer #5100-62 | 74 | 532137057 | Spacer Axle |
| 5 | 532121520 | Strap torque 30 degrees | 75 | 532121749 | Washer 25/32 x 1-1/4 x 16 Ga. |
| 8 | 532165619 | Rod Shift Fender Adjust Lt | 76 | 812000001 | Ring, E |
| 9 | 532170163 | Clutch Asm Noram | 77 | 532123583 | Key, Square |
| 10 | 876020416 | Pin, Cotter 1/8 x 1 | 78 | 532121748 | Washer 25/32 x 1-5/8 x 16 Ga. |
| 11 | 532105701 | Washer Plate Shf .3888 sq hole | 79 | 532125096 | Key Woodruff |
| 13 | 874550412 | Bolt 1/4-28 Unf Gr 8 w/patch | 80 | 532145090 | Arm Shift PMST 20" Tires |
| 14 | 810040400 | Washer, Lock Hvy Helical | 82 | 532123782 | Spring, Torsion |
| 16 | 873800500 | Nut, Lock Hex w/Ins 5/16-18 UNC | 83 | 819171216 | Washer 17/32 x 3/4 x 16 Ga. |
| 18 | 874780616 | Bolt Hex 3/8-16 UNC x 1 Gr.5 | 84 | 532165621 | Link Shift CRD Pmst 18" Tires |
| 19 | 873800600 | Nut, Lock Hex w/Wsh 3/8-16 UNC | 96 | 532124788 | Spring, Retainer 1" |
| 21 | 532121274 | Knob Duckhead 1/2-13 Unc Blk | 112 | 819091210 | Washer 9/32 x 3/4 x 10 Ga. |
| 22 | 532165811 | Rod, Brake CRD 0650 | 144 | 819111016 | Washer 11/32 x 5/8 x 16 Ga. |
| 23 | 532170017 | Bracket Clutch Noram | 145 | 874490540 | Bolt Hex FGHD 5/16-18 x Gr 5 |
| 24 | 873350600 | Nut | 150 | 532165850 | Bushing, Bellcrank Grnd Dr |
| 25 | 532106888 | Spring, Rod, Brake | 151 | 819133210 | Washer 13/32 x 2 x 10 Ga. |
| 26 | 819131316 | Washer 13/32 x 13/16 x 16 Ga. | 153 | 874760516 | Bolt Hex Hd 5/16-18 Unc x 1 |
| 27 | 876020412 | Pin, Cotter 1/8 x 3/4 | 156 | 532166002 | Washer Srrd 5/16 ID x 1.125 |
| 28 | 532145204 | Rod, Parking Brake | 158 | 532165589 | Bracket Shift Mount |
| 29 | 532071673 | Cap, Parking Brake | 159 | 532165494 | Hub Tapered Flange Shift Lt |
| 30 | 532130807 | Bracket, Mfg. Transaxle | 160 | 819292016 | Washer 29/32 x 1-1/4 x 16 Ga. |
| 32 | 874760512 | Bolt Hex 5/16-18 UNC x 3/4 | 161 | 872140406 | Bolt Rdhd Sqnk 1/4-20 x 3/4 Gr 5 |
| 33 | 872140506 | Bolt Rdhd Sqnk 5/16-18 Unc x 3/4 | 162 | 873680400 | Nut Crownlock 1/4-20 Unc |
| 34 | 532165496 | Shaft, Asm Pedal Foot CRD | 163 | 874780416 | Bolt Hex Fin 1/4-20 Unc x 1 Gr 5 |
| 35 | 532120183 | Bearing, Nylon | 164 | 819091010 | Washer 5/8 x .281 x 10 Ga. |
| 36 | 819211616 | Washer 21/32 x 1 x 16 Ga. | 165 | 532165623 | Bracket Pivot Lever |
| 37 | 532124963 | Pin, Roll 3/16 x 1" | 166 | 532166880 | Screw 5/16-18 x 5/8 |
| 38 | 532165936 | Pulley, Flat | 167 | 532165588 | Bracket Support Shift CRD |
| 39 | 874760644 | Bolt Fin Hex 3/8-16 UNC x 2-3/4 | 168 | 532165492 | Bolt Shoulder 5/16-18 x .561 |
| 40 | 532124965 | Spacer, Split 395 x 59 Bzp | 171 | 817490608 | Screw Thdrol 3/8-16 x 1/2 Ty-Tt |
| 42 | 819131312 | Washer 13/32 x 13/16 x 12 Ga. | 172 | 532165635 | Shaft Asm Shift Front CRD PMST |
| 47 | 532127783 | Pulley, Idler, V Groove Plasic | 177 | 532165932 | Keeper Flat Idler 3.06" CRD |
| 48 | 532154407 | Bellcrank Clutch Grnd Drv | 178 | 532165933 | Keeper Belt Idler 1.88" CRD |
| 49 | 532123205 | Retainer, Belt Style Spring | 179 | 532120958 | Washer Sintered |
| 50 | 874760624 | Bolt Hex Hd 3/8-16 UNC x 1-1/2 | 180 | 532165630 | Pulley Flat Composite 3.06" |
| 51 | 873680600 | Nut, Crownlock 3/8-16 UNC | 181 | 532165797 | Bracket Idler Ground Drive CRD |
| 52 | 873680500 | Nut Crownlock 5/16-18 | 182 | 532165634 | Keeper Belt 2.5" Od V-Idler CRD |
| 53 | 532105710 | Link, Clutch 7.66 | 183 | 532165626 | Pulley V-Idler 2.50" Od CRD |
| 55 | 532105709 | Spring, Return, Clutch | 184 | 817490644 | Screw Hexwsh Thdrol 3/8-16 x 2-3/4 |
| 56 | 874760620 | Bolt, Hex 3/8-16 UNC x 1-1/4 | 187 | 817490620 | Screw Thdrol 3/8-16 x 1-1/4 |
| 57 | 532165631 | V-Belt Kev PMST CRD | 202 | 872110612 | Bolt Carr Sh 3/8-16 x 1/2 Ty-Tt |
| 61 | 817060612 | Screw 3/8-16 x 3/4 | 203 | 871170780 | Bolt Hex 7/16-20 x 5 |

NOTE: All component dimensions given in U.S. inches
1 inch = 25.4 mm

For Husqvarna Parts Call 606-678-9623 or 606-561-4983

REPAIR PARTS

TRACTOR- -MODEL NO. CT130 (HECT130C) PRODUCT NO. 954 17 00-17
STEERING ASSEMBLY



For Husqvarna Parts Call 606-678-9623 or 606-561-4983

REPAIR PARTS

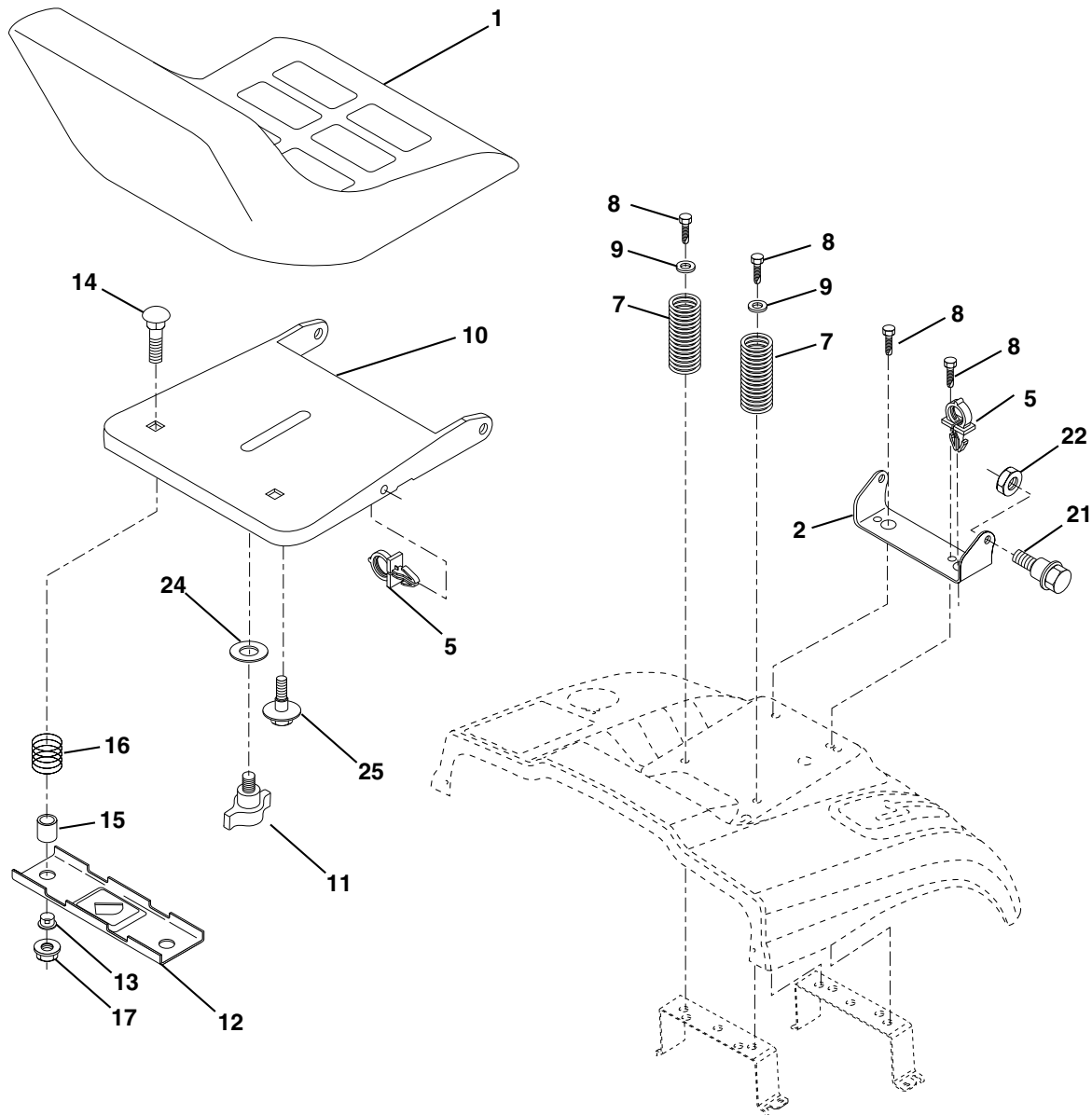
TRACTOR- -MODEL NO. CT130 (HECT130C) PRODUCT NO. 954 17 00-17
STEERING ASSEMBLY

| KEY NO. | PART NO. | DESCRIPTION |
|---------|------------------|------------------------------------|
| 1 | 532166627 | Steering Wheel |
| 2 | 532165854 | Axle Cast Lt Machined |
| 3 | 532169840 | Spindle Assembly, L.H. |
| 4 | 532169839 | Spindle Assembly, R.H. |
| 5 | 532124931 | Bearing, Race, Thrust, Hardened |
| 6 | 532121748 | Washer 25/32 x 1-5/8 x 16 Gauge |
| 8 | 812000029 | Ring, Klip |
| 10 | 532169832 | Link, Drag |
| 11 | 810040600 | Washer, Lock |
| 13 | 532136518 | Spacer Brg Axle Front |
| 15 | 532145212 | Nut Hex Flange Lock |
| 17 | 532156546 | Shaft Assembly, Steering |
| 18 | 532057079 | Washer, Thrust .515 x .750 x .033 |
| 19 | 532160395 | Support, Shaft |
| 22 | 532165857 | Screw Hex Wshhd Torx |
| 23 | 532165851 | Pittman Shaft Assembly |
| 25 | 532154406 | Bracket, Steering |
| 27 | 532136874 | Gear, Sector |
| 29 | 817060612 | Screw 3/8-16 x 3/4 |
| 32 | 532170162 | Rod, Tie |
| 33 | 819111216 | Washer 11/32 x 3/4 x 16 Ga. |
| 34 | 810040500 | Washer Lock Hvy Hlcl Spr 5/16 |
| 35 | 873810500 | Locknut 5/16-24 Unf |
| 36 | 532155099 | Bushing, Steering |
| 37 | 532152927 | Screw TT #10-32 x 5 x 3/8 Flange |
| 38 | 532166626 | Cap Wheel Steering |
| 39 | 819132411 | Washer 13/32 x 1-1/20 x 11 Gauge |
| 40 | 532124701 | Nut Lock Center 3/8-24 Unf |
| 41 | 532159945 | Adaptor, Steering Wheel |
| 42 | 532169634 | Boot, Steering Dash P/L Mtl |
| 43 | 532121749 | Washer 25/32 x 1-1/4 x 16 Gauge |
| 44 | 532153720 | Extension Steering Non-Adjust |
| 46 | 532121232 | Cap, Spindle |
| 47 | 532124836 | Fitting, Grease |
| 51 | 873800500 | Nut Lock Hx W/Ins 5/16-18 UNC |
| 54 | 874780520 | Bolt Fin Hex 5/16-18 UNC x 1-1/4 |
| 62 | 532167902 | Kit, Steering Assembly, Service |
| 63 | 874780616 | Bolt Fin Hex 3/8-16 unc. x 1 Gr. 5 |
| 65 | 532160367 | Spacer Brace Axle |
| 66 | 532154404 | Bearing Arm Pittman |
| 67 | 872140618 | Bolt Rdhd Sq 3/8-16 x 2-1/4 |
| 68 | 532169827 | Brace Axle |
| 79 | 819132012 | Washer 13/32 x 1-1/4 x 12 Ga |
| 80 | 874950612 | Bolt Hex Nylon 3/8-16 x 3/4 |
| 82 | 532169835 | Bracket Susp Chassis Front |
| 84 | 532170016 | Bracket Cable Clutch Chassis |
| 85 | 532133835 | Fastner Christmans Tree |
| 86 | 532165898 | Retainer Spring |

NOTE: All component dimensions given in U.S. inches.
1 inch = 25.4 mm.

REPAIR PARTS

TRACTOR- -MODEL NO. CT130 (HECT130C) PRODUCT NO. 954 17 00-17
SEAT ASSEMBLY



| KEY NO. | PART NO. | DESCRIPTION |
|---------|------------------|--------------------------------|
| 1 | 532140839 | Seat |
| 2 | 532140551 | Bracket Pnt Pivot Seat (blk) |
| 5 | 532145006 | Clip Push In Hinged |
| 7 | 532124181 | Spring Seat Cprsn 2 250 Blk Zi |
| 8 | 817000616 | Screw 3/8-16 X 1-1/2 |
| 9 | 819131614 | Washer 13/32 X 1 X 14 Ga |
| 10 | 532155925 | Pan Pnt Seat (blk) |
| 11 | 532166369 | Knob Seat Adj. Wingnut |
| 12 | 532121246 | Bracket Pnt Mounting Switch |
| 13 | 532121248 | Bushing Snap Blk Nyl 50 Id |

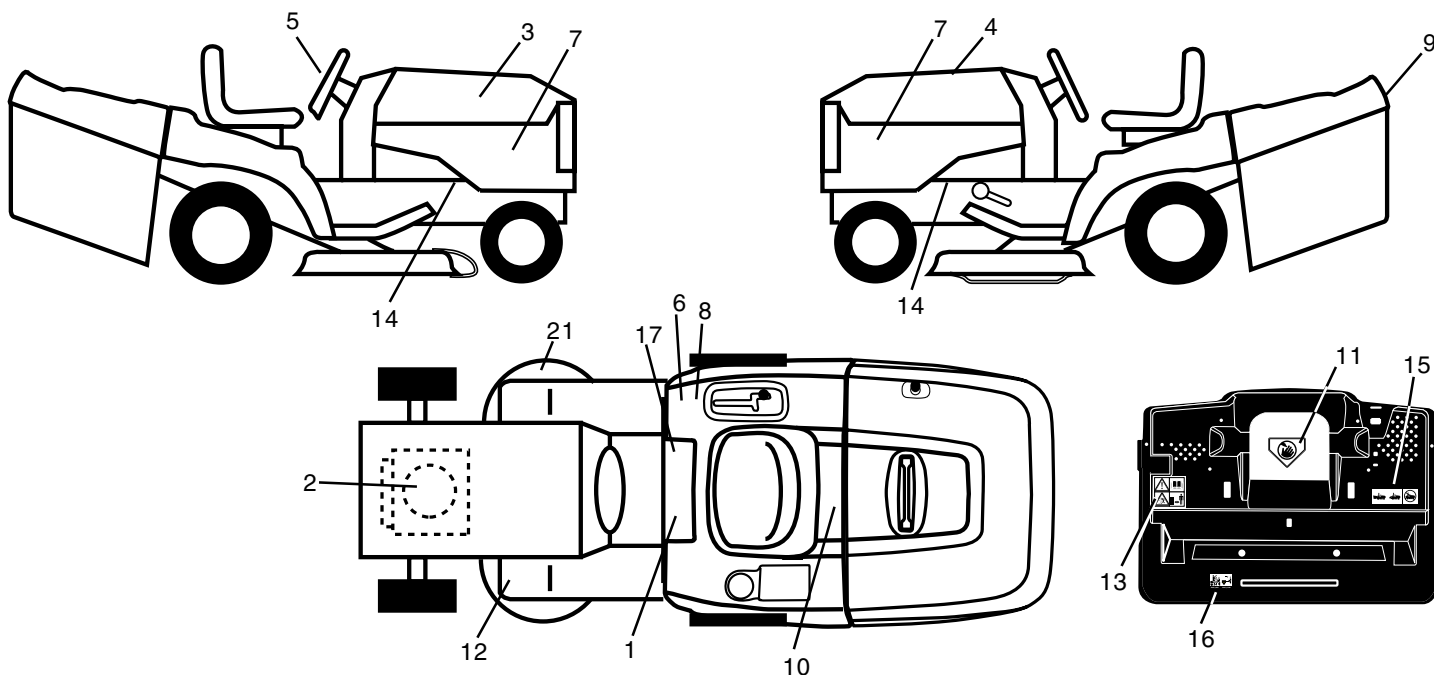
| KEY NO. | PART NO. | DESCRIPTION |
|---------|------------------|--------------------------------|
| 14 | 872050412 | Bolt Rdhd Sht Nk 1/4-20x1-1/2 |
| 15 | 532134300 | Spacer Split |
| 16 | 532121250 | Spring Cprsn Plate SW 1.310 Ga |
| 17 | 532123976 | Nut Lock 1/4 Lge Flg Gr 5 Zinc |
| 21 | 532171852 | Bolt Shoulder 5/16-18 Unc-2A |
| 22 | 873800500 | Nut Hex Lock w/Ins 5/16-18 |
| 24 | 819171912 | Washer 17/32 X 1-3/16 X 12 Ga. |
| 25 | 532127018 | Bolt Shoulder 5/16-18 X 62 |

NOTE: All component dimensions given in U.S. inches.
1 inch = 25.4 mm

REPAIR PARTS

TRACTOR- -MODEL NO. CT130 (HECT130C) PRODUCT NO. 954 17 00-17

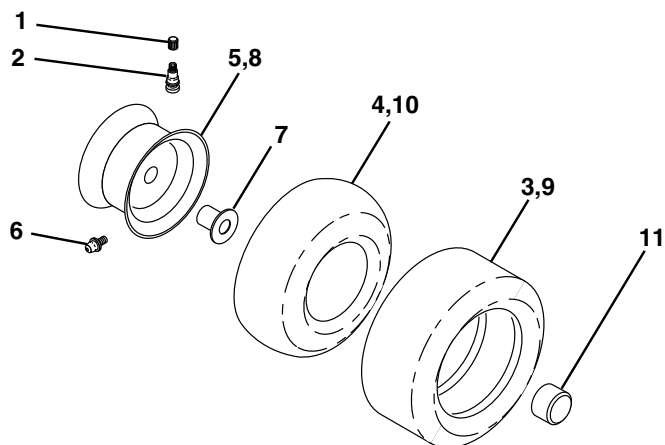
DECALS



| KEY NO. | PART NO. | DESCRIPTION |
|---------|-----------|-------------------------------|
| 1 | 532145498 | Decal Read Owner's Manual Sym |
| 2 | 532170848 | Decal Hp Engine |
| 3 | 532167090 | Decal Hood Rh |
| 5 | 532170564 | Decal Wheel Logo |
| 4 | 532167091 | Decal Hood Lh |
| 6 | 532126187 | Decal 100 DBA |
| 7 | 532159713 | Decal Panel Side |
| 8 | 532145437 | Decal Europe Stand Ce |
| 9 | 532150617 | Decal Fender Logo |
| 10 | 532145005 | Decal Bat Dan/Poi P/L Sym Wpn |
| 11 | 532145494 | Decal Mower Cut Finger Symbol |

| KEY NO. | PART NO. | DESCRIPTION |
|---------|-----------|------------------------------|
| 12 | 532159737 | Decal Brake/Clutch Symbol Lt |
| 13 | 532166959 | Decal Warn Back Plate CRD |
| 14 | 532159736 | Decal Chassis Hot Muffler |
| 15 | 532166961 | Decal Oper Bag Presence CRD |
| 16 | 532162598 | Decal Drawbar Load Limit |
| 17 | 532140837 | Decal Saddle Brake Parking |
| 21 | 532166286 | Decal Deck Sch 92 CRD |
| — | 532138311 | Decal Lift Handle |
| — | 532171237 | Pad Footrest |
| — | 532171431 | Manual Operator's (Euro) |
| — | 532171432 | Manual Operator's (Scand) |

WHEELS & TIRES



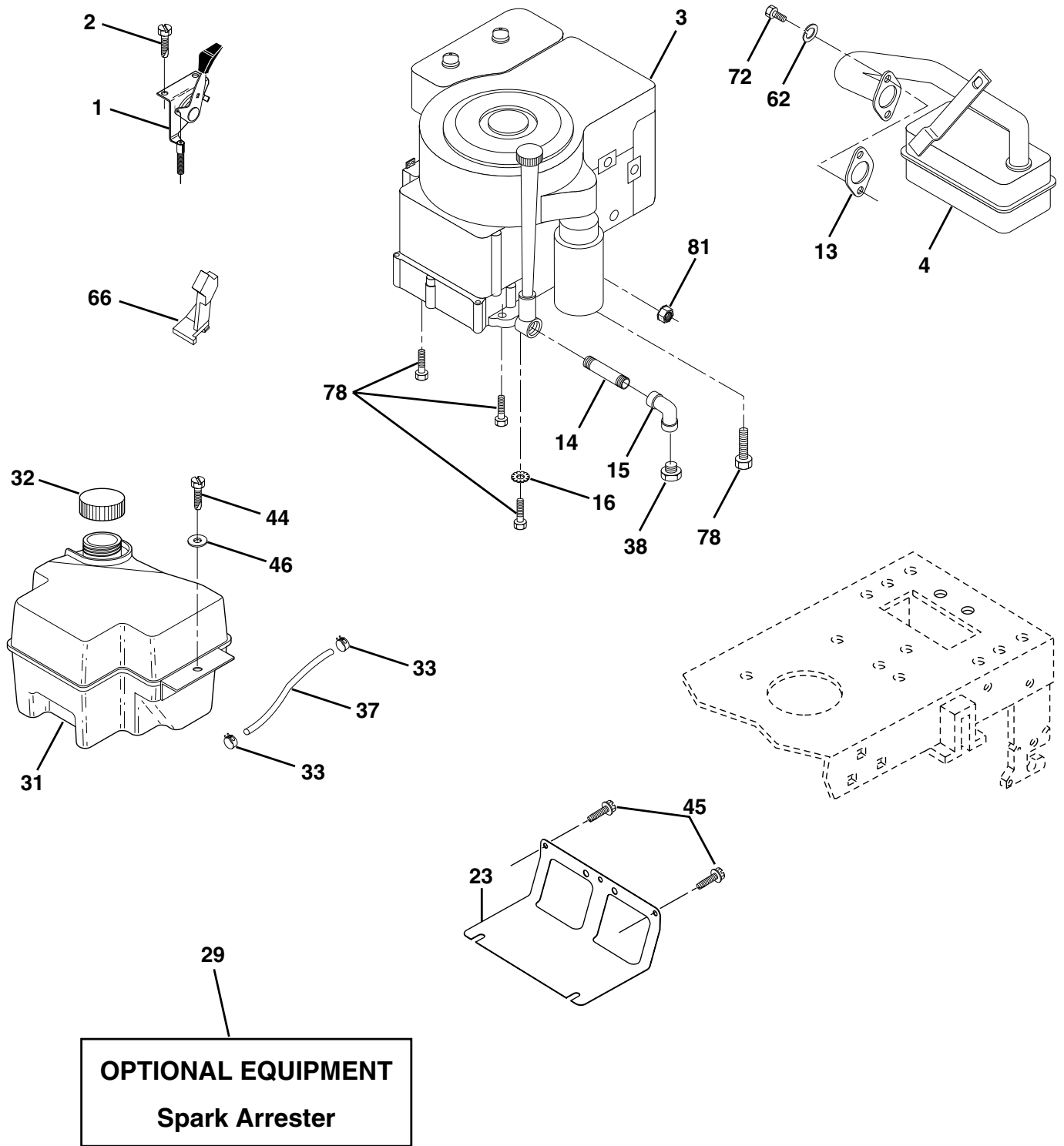
| KEY NO. | PART NO. | DESCRIPTION |
|---------|-----------|--------------------------------|
| 1 | 532059192 | Cap Value Tire |
| 2 | 532065139 | Stem Value |
| 3 | 532106222 | Tire F Ts 15 X 6 0 - 6 Service |
| 4 | 532059904 | Tube Inner Front #35060 |
| 5 | 532138336 | Rim Asm 6"front White Service |
| 6 | 532124957 | Fitting Grease |
| 7 | 532124959 | Bearing Flange |
| 8 | 532138337 | Rim Asm 8"rear White Service |
| 9 | 532124635 | Tire R Ts 18 x 8.5-8 Service |
| 10 | 532124926 | Tube Rear 9 5 X 8 Service |
| 11 | 532104757 | Cap Axle Blk 1 50 X 1 00 |
| -- | 532144334 | Sealant, Tire (10 oz. tube) |

NOTE: All component dimensions given in U.S. inches.
1 inch = 25.4 mm

For Husqvarna Parts Call 606-678-9623 or 606-561-4983

REPAIR PARTS

TRACTOR- -MODEL NO. CT130 (HECT130C) PRODUCT NO. 954 17 00-17
ENGINE



OPTIONAL EQUIPMENT
Spark Arrester

For Husqvarna Parts Call 606-678-9623 or 606-561-4983

REPAIR PARTS

TRACTOR- -MODEL NO. CT130 (HECT130C) PRODUCT NO. 954 17 00-17
ENGINE

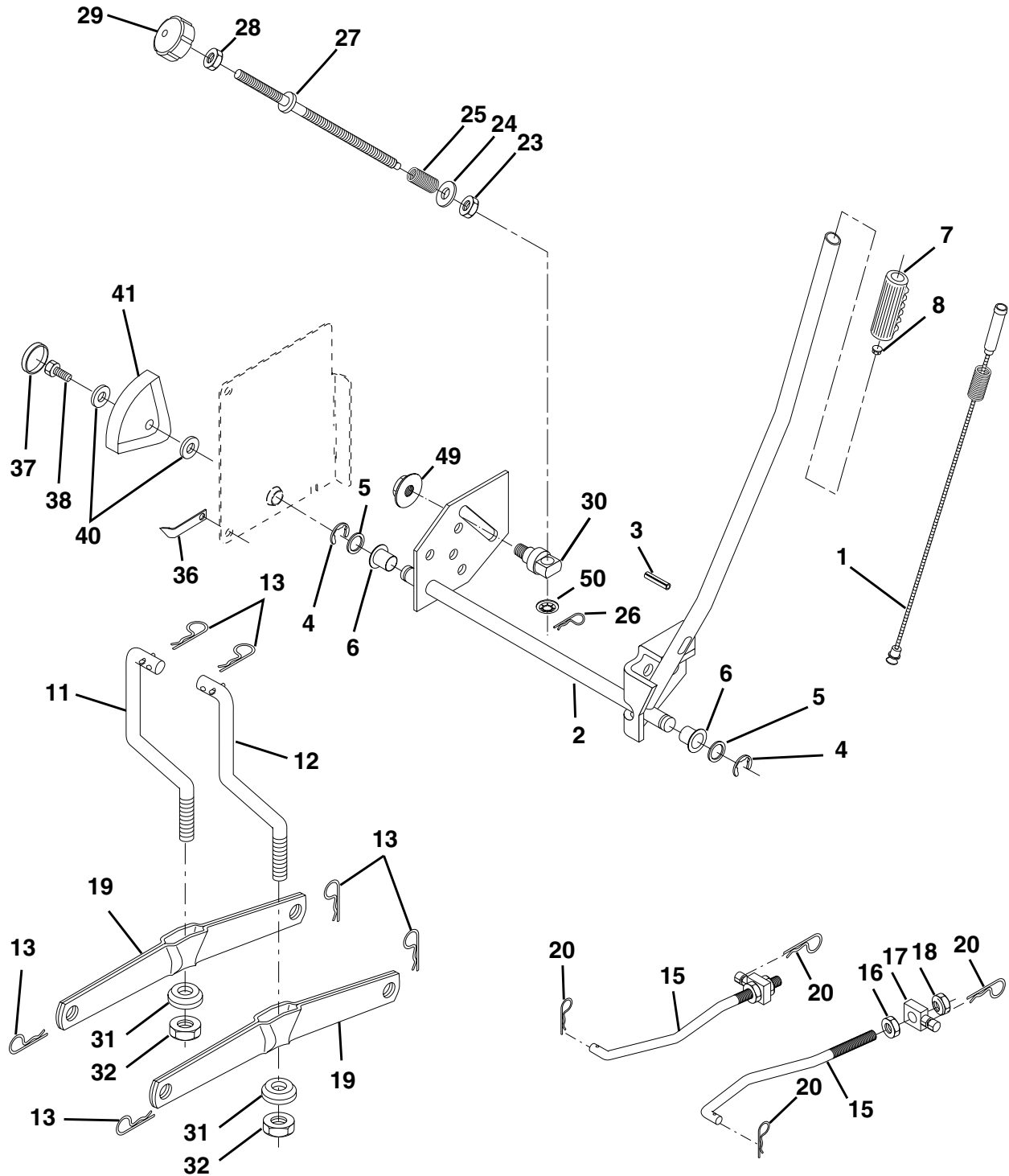
| KEY NO. | PART NO. | DESCRIPTION |
|---------|------------------|--|
| 1 | 532141359 | Control Throt /Ch Lh |
| 2 | 817720410 | Screw Hex Thd Cut 1/4-20x5/8 T |
| 3 | ----- | Engine Briggs Model 28R707 (Order Parts from Engine Manufacturer) |
| 4 | 532137348 | Muffler Exhaust B&S Lt |
| 13 | 532165291 | Gasket 1 313 Id Tin Plated |
| 14 | 813280324 | Nipple Pipe 3/8 Npt X 3" |
| 15 | 813200300 | Elbow Std 90 Degree 3/8-18 Npt |
| 16 | 811050600 | Washer Lock Ext Tooth 3/8 |
| 23 | 532169837 | Shield Browning/Debris Guard |
| 29 | 532137180 | Arrestor Spark |
| 31 | 532161911 | Tank Fuel 2.00 Fr |
| 32 | 532140527 | Cap Asm Fule Top Vent N/Lany |
| 33 | 532123487 | Clamp Hose Blk |
| 37 | 532137040 | Line Fuel 20" |
| 38 | ----- | Plug Oil Drain (Order From Engine Manufacturer) |
| 44 | 817670412 | Screw Hexwsh Thdrol 1/4-20 x 3/4 |
| 45 | 817000612 | Screw Hexwsh Thdr 3/8-16 x 3/4 |
| 46 | 819091416 | Washer 9/32 X 7/8 X 16ga |
| 62 | 810040500 | Washer Lock Hvy Hlcl Spr 5/16 |
| 66 | 532127951 | Stop Throttle 3000 Rpm |
| 72 | 871070512 | Screw Hexhd Cap 5/16-18 x 3/4 |
| 78 | 817060620 | Screw 3/8-16x1-1/4 |
| 81 | 873510400 | Nut Keps 1/4-20 Unc |

NOTE: All component dimensions given in U.S. inches.
1 inch = 25.4 mm

For Husqvarna Parts Call 606-678-9623 or 606-561-4983

REPAIR PARTS

TRACTOR- -MODEL NO. CT130 (HECT130C) PRODUCT NO. 954 17 00-17
MOWER LIFT



For Husqvarna Parts Call 606-678-9623 or 606-561-4983

REPAIR PARTS

TRACTOR- -MODEL NO. CT130 (HECT130C) PRODUCT NO. 954 17 00-17
MOWER LIFT

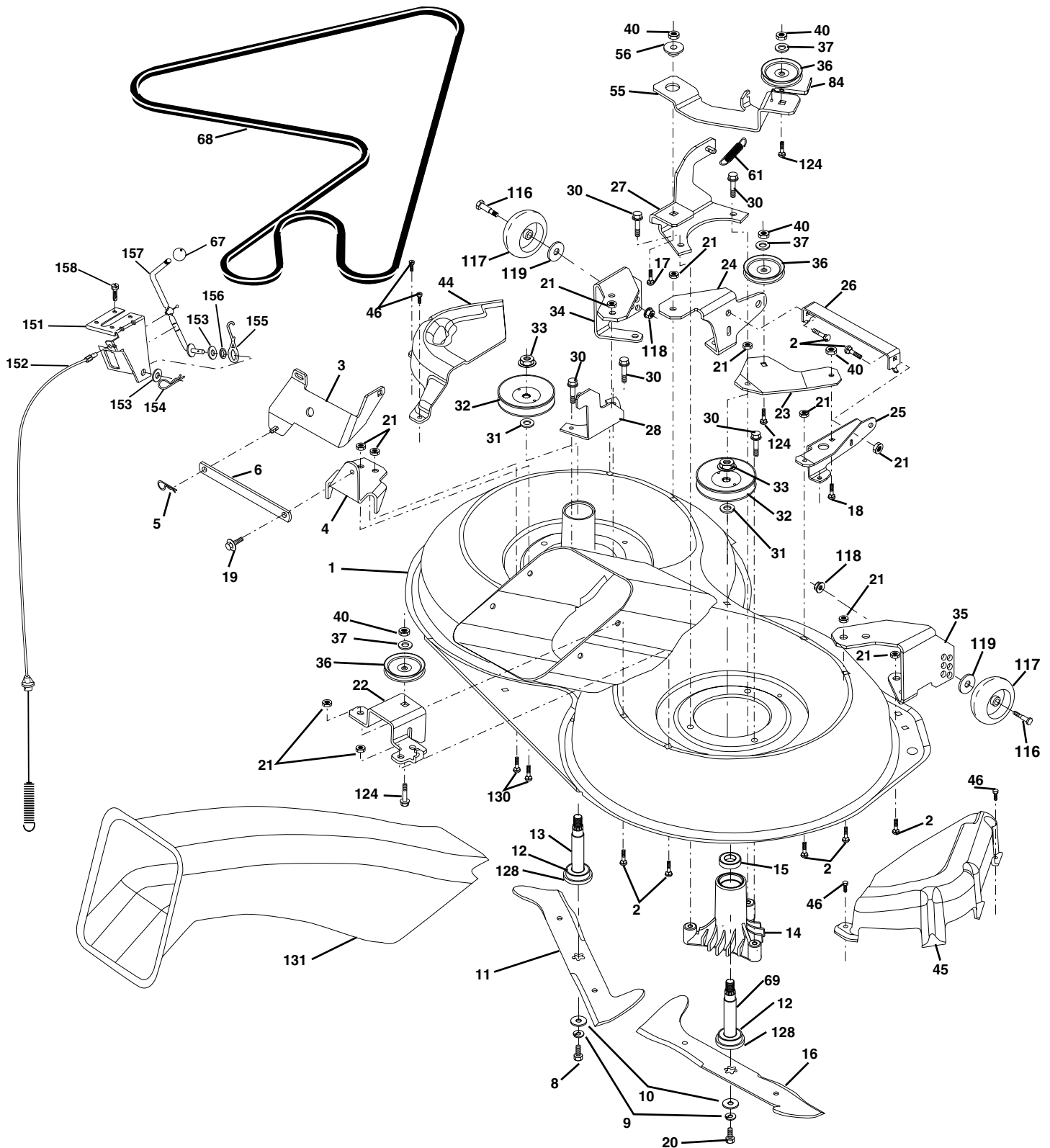
| KEY NO. | PART NO. | DESCRIPTION |
|---------|------------------|-----------------------------------|
| 1 | 532159460 | Washer Asm Inner Spring W/Plunger |
| 2 | 532159471 | Shaft Asm. Lift |
| 3 | 532105767 | Pin Groove |
| 4 | 812000002 | E Ring #5133-62 |
| 5 | 819211621 | Washer 21/32 x 1 x 21 Ga. |
| 6 | 532120183 | Bearing Nylon |
| 7 | 532125631 | Grip Handle |
| 8 | 532124526 | Button Plunger Black |
| 11 | 532165829 | Link Asm Lift L.H. |
| 12 | 532165831 | Link Asm Lift R.H. |
| 13 | 532124670 | Retainer Spring |
| 15 | 532173288 | Link Front |
| 16 | 873350800 | Nut Jam Hex 1/2-13 Unc |
| 17 | 532130171 | Trunnion Blk Zinc |
| 18 | 873800800 | Nut Lock W/Wsh 1/2-13 Unc |
| 19 | 532139868 | Arm Suspension Mower |
| 20 | 532163552 | Retainer Spring |
| 23 | 532110807 | Nut Special |
| 24 | 819131016 | Washer 13/32 x 5/8 x 16 Ga. |
| 25 | 532124874 | Spring 2-1/8 |
| 26 | 532169484 | Retainer Clip |
| 27 | 532126971 | Rod Adj Lift Zinc |
| 28 | 873350600 | Nut Hex Jam 3/8-16 Unc |
| 29 | 532138057 | Knob Inf 3/8-16 unc |
| 30 | 532150233 | Trunnion Infin Height |
| 31 | 532140302 | Bearing, Pvt. Lift. Spherical |
| 32 | 873540600 | Nut Crownlock 3/8-24 |
| 36 | 532155097 | Pointer Height Indicator |
| 37 | 532123935 | Plug Hole Blk |
| 38 | 817060516 | Screw 5/16-18 x 1 |
| 40 | 819112410 | Washer 11/32 x 1-1/2 x 10 Ga |
| 41 | 532123934 | Scale Ind Height Blk |
| 49 | 532145212 | Nut Hex flange lock |
| 50 | 532110452 | Nut Push Phos &Oil |

NOTE: All component dimensions given in U.S. inches.
1 inch = 25.4 mm

For Husqvarna Parts Call 606-678-9623 or 606-561-4983

REPAIR PARTS

TRACTOR- -MODEL NO. CT130 (HECT130C) PRODUCT NO. 954 17 00-17
MOWER



REPAIR PARTS

TRACTOR- -MODEL NO. CT130 (HECT130C) PRODUCT NO. 954 17 00-17
MOWER

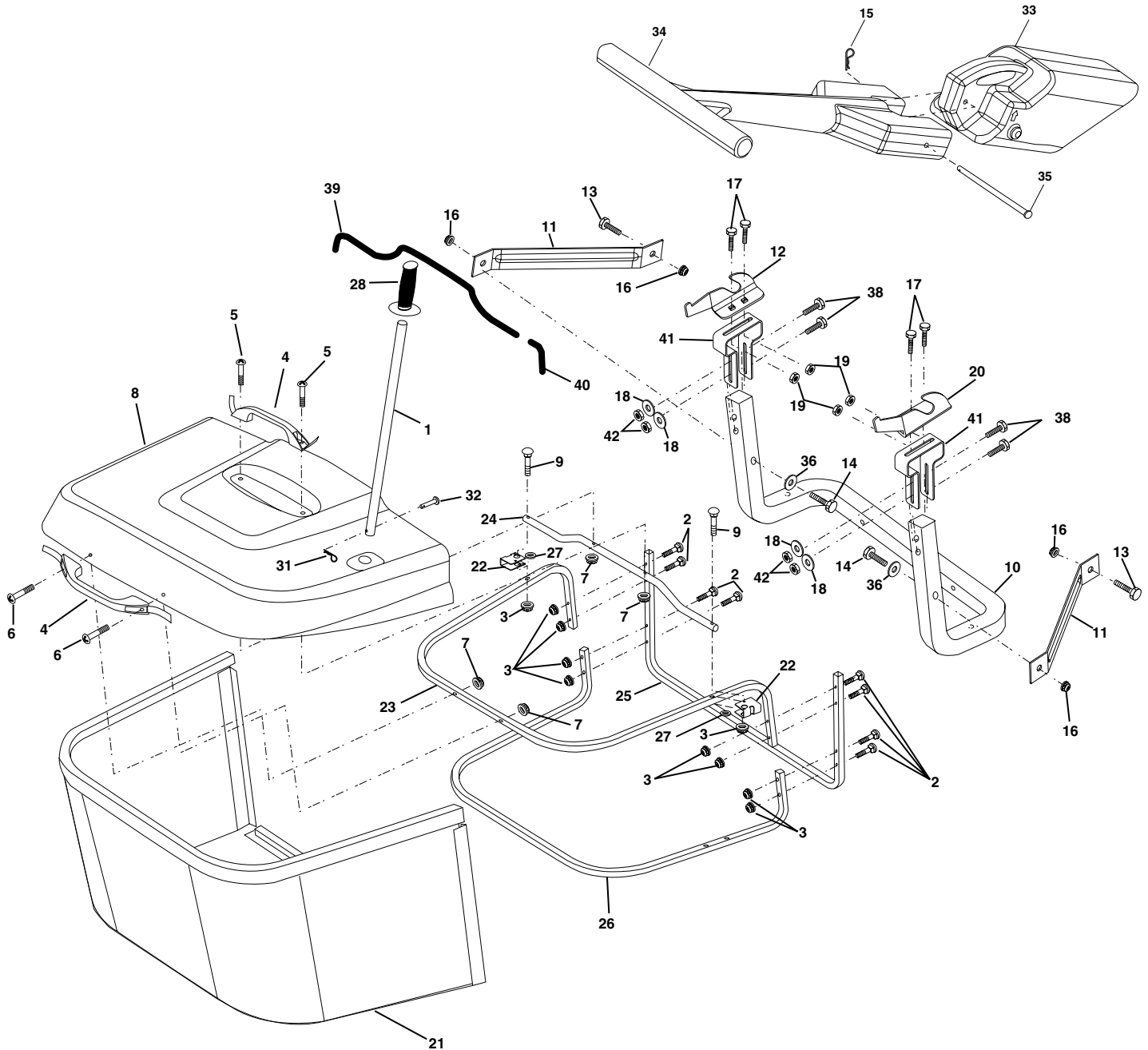
| KEY NO. | PART NO. | DESCRIPTION | KEY NO. | PART NO. | DESCRIPTION |
|---------|-----------|-----------------------------------|---------|------------------|---------------------------------|
| 1 | 532165552 | Housing Asm. Mower 92 CRD | 37 | 819131316 | Washer 11/32 x 13/16 x 16 Ga |
| 2 | 872140506 | Bolt Rdhd Sqnk 5/16-18 Unc x 3/4 | 40 | 873680600 | Nut Crownlock 3/8-16 Unc |
| 3 | 532165569 | Bracket Asm. S-Bar Chass 92 CRD | 44 | 532165724 | Cover Mandrel Lh 92 CRD |
| 4 | 532165558 | Bracket Bar Sway Deck 92 CRD | 45 | 532165556 | Cover Mandrel Rh 92 CRD |
| 5 | 532124670 | Retainer Spring | 46 | 532137729 | Screw Thd Roll 1/4-20 x 5/8 |
| 6 | 532165557 | Bar Sway 92 CRD | 55 | 532165445 | Arm Idler 92 CRD |
| 8 | 532850857 | Bolt 3/8-24 x 1.25 Gr8 Patched | 56 | 532165723 | Spacer Retainer Mower |
| 9 | 810030600 | Washer Lock Hvy 3/8 Unplated | 61 | 532165945 | Spring Tension Belt |
| 10 | 532140296 | Washer Hard Blade Mower vented | 67 | 532106932 | Knob Rd 3/8-16 Plstc Thds Blk |
| 11 | 532170037 | Blade 3-1 Lh 92 CRD | 68 | 532165555 | Hex-Belt 92 Mower 105AA |
| 12 | 532129895 | Bearing Ball #6204 (Mandrel) | 69 | 532165482 | Shaft Asm W/Lwr Brg Rh Thd CRD |
| 13 | 532137645 | Shaft Asm. W/Lower Bearing | 84 | 532156085 | Keeper Belt Idler |
| 14 | 532128774 | Housing Mandrel Vented (Machd) | 116 | 532137644 | Bolt Shoulder |
| 15 | 532110485 | Bearing Ball Mandrel | 117 | 532133957 | Wheel Gage Donut Wide |
| 16 | 532170038 | Blade 3-1 Rh 92 CRD | 118 | 873930600 | Nut Centerlock 3/8-16 Unc |
| 17 | 872140610 | Bolt Carriage 3/8-16 x 1-1/4 | 119 | 819121414 | Washer 3/8 x 7/8 x 14 Ga. |
| 18 | 872110608 | Bolt Rdhd Sqnk 3/8-16 x 1 Gr5 | 124 | 872110612 | Bolt Carr Sh 3/8-16 x 1-1/2 Gr5 |
| 19 | 532132827 | Bolt Shoulder 5/16-18 Thd Form | 128 | 532153390 | Washer Felt |
| 20 | 532165484 | Bolt 3/8-24 x 1.25 Gr8 Ptch Lhthd | 130 | 872110506 | Bolt Rdhdsqnk 5/16-18 Unc x 3/4 |
| 21 | 873680500 | Nut Crown Lock 5/16-18 | 131 | 532165661 | Chute Bagger CRD 92cm |
| 22 | 532165243 | Bracket Idler Sprt RR 92 CRD | 151 | 532169670 | Bracket Clutch Cable |
| 23 | 532165446 | Bracket Idler Sprt RF 92 CRD | 152 | 532170300 | Cable Clutch CRD |
| 24 | 532165242 | Bracket Suspension LF 92 CRD | 153 | 532169674 | Washer Flat 3/8" Type B |
| 25 | 532165244 | Bracket Suspension RF 92 CRD | 154 | 532169675 | Spring Retainer |
| 26 | 532165237 | Brace Support Susp Frt CRD | 155 | 532169671 | Spring Retention |
| 27 | 532165568 | Bracket Asm. Susp RR 92 CRD | 156 | 532169672 | Spacer Clutch Cable |
| 28 | 532165567 | Bracket Asm. Susp LR 92 CRD | 157 | 532169669 | Rod Clutch Cable 3/8" |
| 30 | 532157722 | Screw Thd Rolling Washer Head | 158 | 817720410 | Screw Hex Thd Cut 1/4-20 x 5/8 |
| 31 | 532129963 | Washer Spacer Mower Vented | - | 532130794 | Mandrel Asm Service |
| 32 | 532153531 | Mandrel Pulleys 36 & 46 | - | 532165579 | Mandrel Asm CRD Lh Threads SVC |
| 33 | 532137266 | Nut Fig Top Lock Cntr B 9/16 | - | 532173549 | Deck Mower Complete |
| 34 | 532165239 | Bracket Gauge Wheel Lf 92 CRD | | | |
| 35 | 532165238 | Bracket Gauge Wheel Rf 92 CRD | | | |
| 36 | 532146763 | Pulley Idler V-Groove Dim 4.25 | | | |

NOTE: All component dimensions given in U.S. inches
1 inch = 25.4 mm

For Husqvarna Parts Call 606-678-9623 or 606-561-4983

REPAIR PARTS

TRACTOR- -MODEL NO. CT130 (HECT130C) PRODUCT NO. 954 17 00-17
BAGGER



For Husqvarna Parts Call 606-678-9623 or 606-561-4983

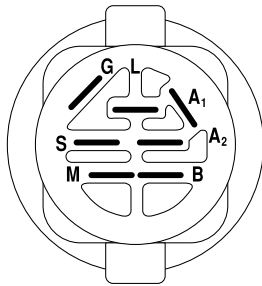
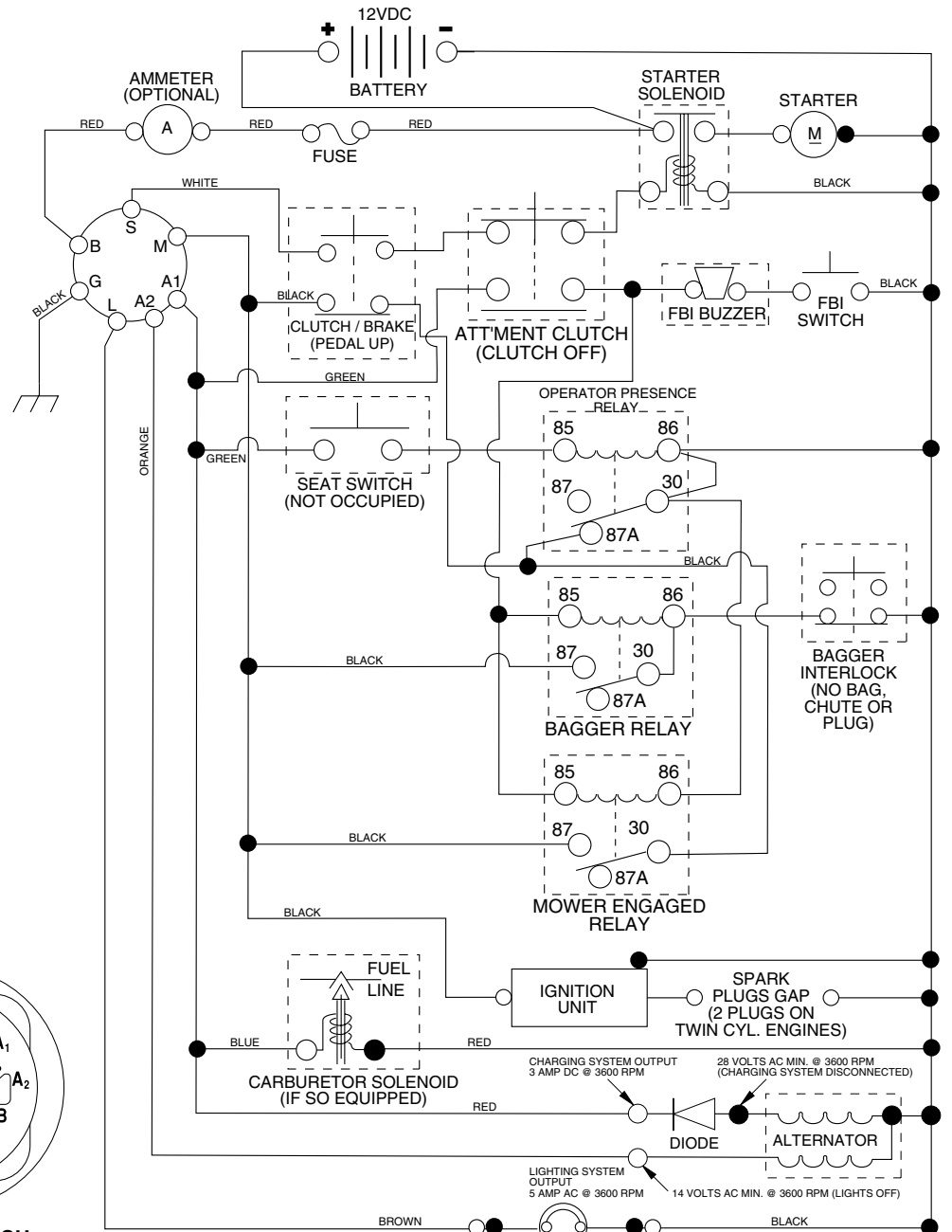
REPAIR PARTS

TRACTOR- -MODEL NO. CT130 (HECT130C) PRODUCT NO. 954 17 00-17
BAGGER

| KEY NO. | PART NO. | DESCRIPTION |
|---------|------------------|---------------------------------------|
| 1 | 532170690 | Tube Handle Bagger CRD |
| 2 | 872140416 | Bolt Carriage 1/4-20 x 2.0 Gr.5 |
| 3 | 532123976 | Nut Lock 1/4 Lge Flg Gr. 5 Zinc |
| 4 | 532169916 | Handle Bagger w/Lvrs Blk CRD |
| 5 | 874981024 | Screw Pan Head #10-24 x 1.50 Blk |
| 6 | 874981032 | Screw Pan Hd |
| 7 | 873401000 | Nut Wiz Lock Hex Serr/Hd 10-24 |
| 8 | 532167980 | Cover Bagger Plastic CRD MS422 |
| 9 | 872140418 | Bolt Carriage 1/4-20 x 2.25d x Gr.5 |
| 10 | 532169688 | Tube Support Bagger CRD |
| 11 | 532165719 | Bracket Support Upper Bag CRD |
| 12 | 532169685 | Bracket Horiz Adj Bagger Lh CRD |
| 13 | 872110606 | Bolt Rdhd Sht Sqnk 3/8-16 x 3/4 |
| 14 | 874520640 | Bolt Hex 3/8-16 x 2-1/2 Gr.5 |
| 15 | 532124670 | Retainer Spring |
| 16 | 873900600 | Nut Lock Flg 3/8-16 Unc |
| 17 | 872140506 | Bolt Rdhd Sht Sqnk 5/16 -18 Unc x 3/4 |
| 19 | 873900500 | Nut Lock Hexflange 5/16-18 |
| 20 | 532169684 | Bracket Horiz Adj Bagger Rh CRD |
| 21 | 532165780 | Bag Asm CRD |
| 22 | 532165781 | Bracket Side Bagger CRD |
| 23 | 532165782 | Tube Upper Bagger CRD |
| 24 | 532165783 | Tube Pivot Bagger CRD |
| 25 | 532165784 | Tube Front Bagger CRD |
| 26 | 532165785 | Tube Lower Bagger CRD |
| 27 | 532169692 | Bushing Snap Bagger CRD |
| 28 | 532170696 | Grip Handle Black |
| 31 | 532124788 | Retainer Spring 1" Zinc/Cad |
| 32 | 532126875 | Rivet Rd Hd Drilled 3/8 Dia |
| 33 | 532165571 | Plug Mulcher 92 CRD |
| 34 | 532165570 | Handle Mulcher 92/107 CRD |
| 35 | 532165572 | Pin Mulcher 92/107 CRD |
| 36 | 819132016 | Washer 13/32 x 1-1/4 x 16 Ga. |
| 38 | 872010520 | Bolt 5/16-18 x 2-1/2 |
| 39 | 532169999 | Seal 26" (Long) |
| 40 | 532170000 | Seal 7" (Short) |
| 41 | 532169683 | Bracket Vert Adj Bagger CRD |
| 42 | 873800500 | Nut Lock Hex W/Ins 5/16-18 Unc PI |

NOTE: All component dimensions given in U.S. inches
1 inch = 25.4 mm

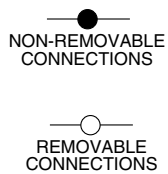
SCHEMATIC



IGNITION SWITCH

| POSITION | CIRCUIT | "MAKE" |
|-----------|------------|--------|
| OFF | M+G+A1 | NONE |
| RUN/LIGHT | B+A1 | A2+L |
| RUN | B+A1 | NONE |
| START | B + S + A1 | NONE |

WIRING INSULATED CLIPS
NOTE: IF WIRING INSULATED CLIPS WERE REMOVED FOR SERVICING OF UNIT, THEY SHOULD BE REPLACED TO PROPERLY SECURE YOUR WIRING.



PTO SWITCH

| POSITION | CIRCUIT |
|----------|---------------------|
| OFF | C + G, B + H |
| ON | C + F, B + E, A + D |

NOTE
YOUR TRACTOR IS EQUIPPED WITH A SPECIAL ALTERNATOR SYSTEM. THE LIGHTS ARE NOT CONNECTED TO THE BATTERY, BUT HAVE THEIR OWN ELECTRICAL SOURCE. BECAUSE OF THIS, THE BRIGHTNESS OF THE LIGHTS WILL CHANGE WITH ENGINE SPEED. AT IDLE THE LIGHTS WILL DIM, AS THE ENGINE IS SPEEDED UP, THE LIGHTS WILL BECOME THEIR BRIGHTEST.

