

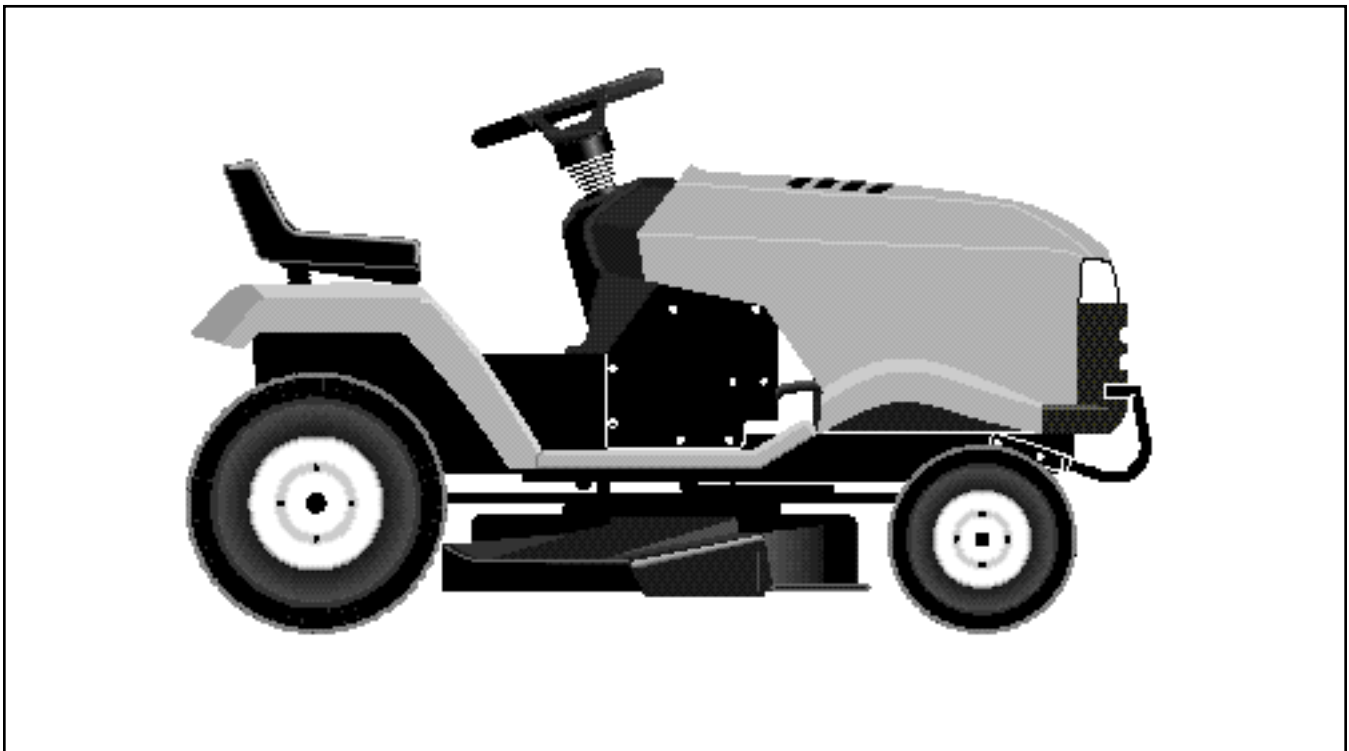


Illustrated Parts  
List

2000-03

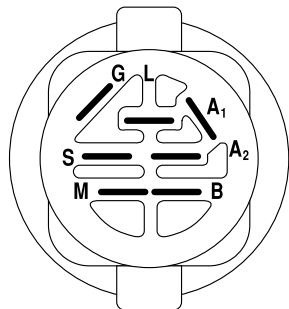
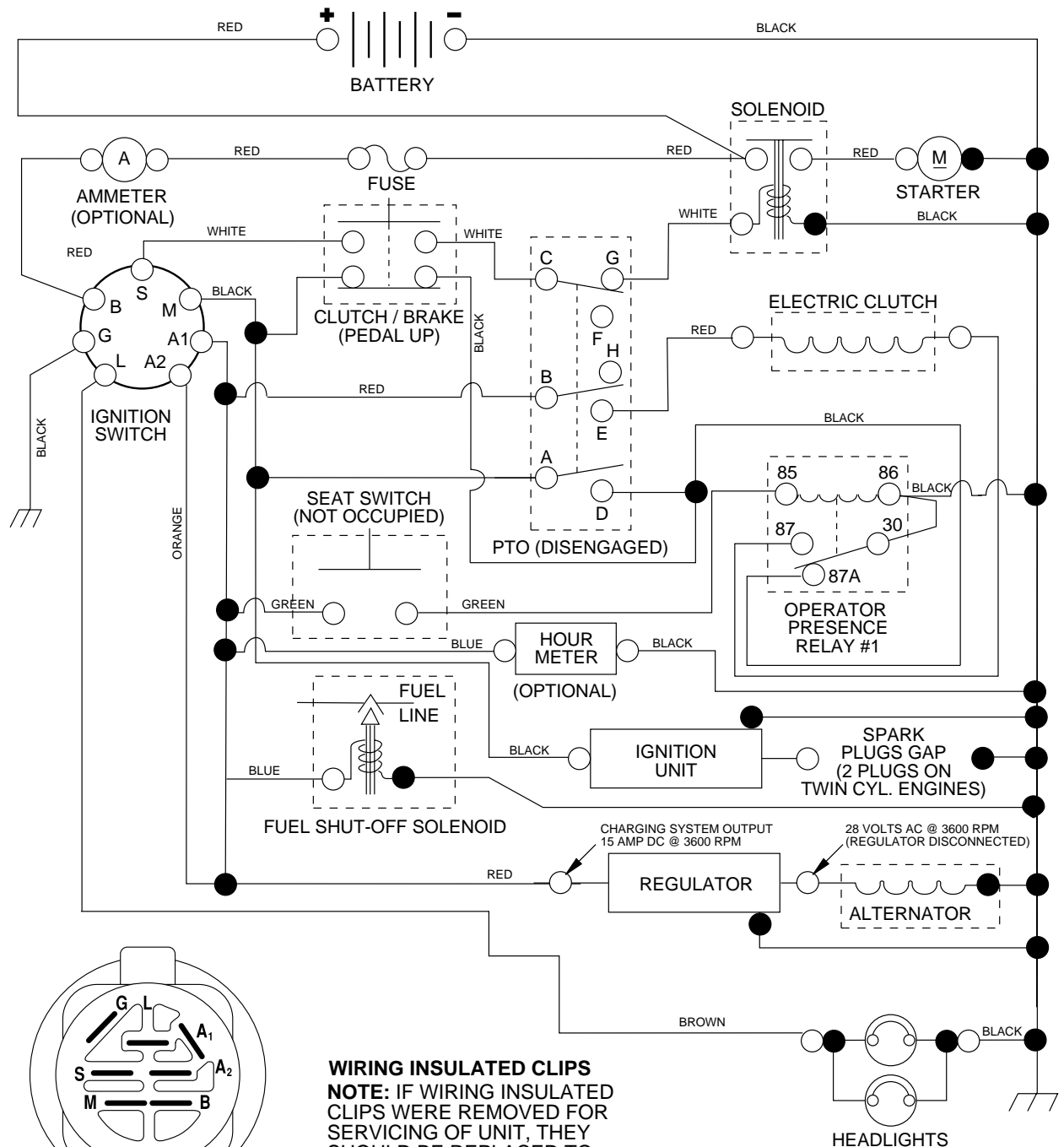
10002008

# GTVH 205



**954140102B**

**TRACTOR - MODEL NO. GTVH205 (954140102B), PRODUCT NO. 954 14 01-02**  
**SCHEMATIC**



**IGNITION SWITCH**

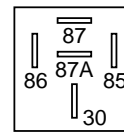
| POSITION  | CIRCUIT    | "MAKE" |
|-----------|------------|--------|
| OFF       | M+G+A1     | NONE   |
| RUN/LIGHT | B+A1       | A2+L   |
| RUN       | B+A1       | NONE   |
| START     | B + S + A1 | NONE   |

**WIRING INSULATED CLIPS**  
**NOTE: IF WIRING INSULATED CLIPS WERE REMOVED FOR SERVICING OF UNIT, THEY SHOULD BE REPLACED TO PROPERLY SECURE YOUR WIRING.**

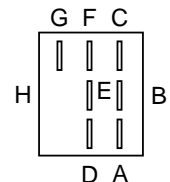
**PTO SWITCH**

| POSITION | CIRCUIT             |
|----------|---------------------|
| OFF      | C + G, B + H        |
| ON       | C + F, B + E, A + D |

● NON-REMOVABLE CONNECTIONS  
 ○ REMOVABLE CONNECTIONS



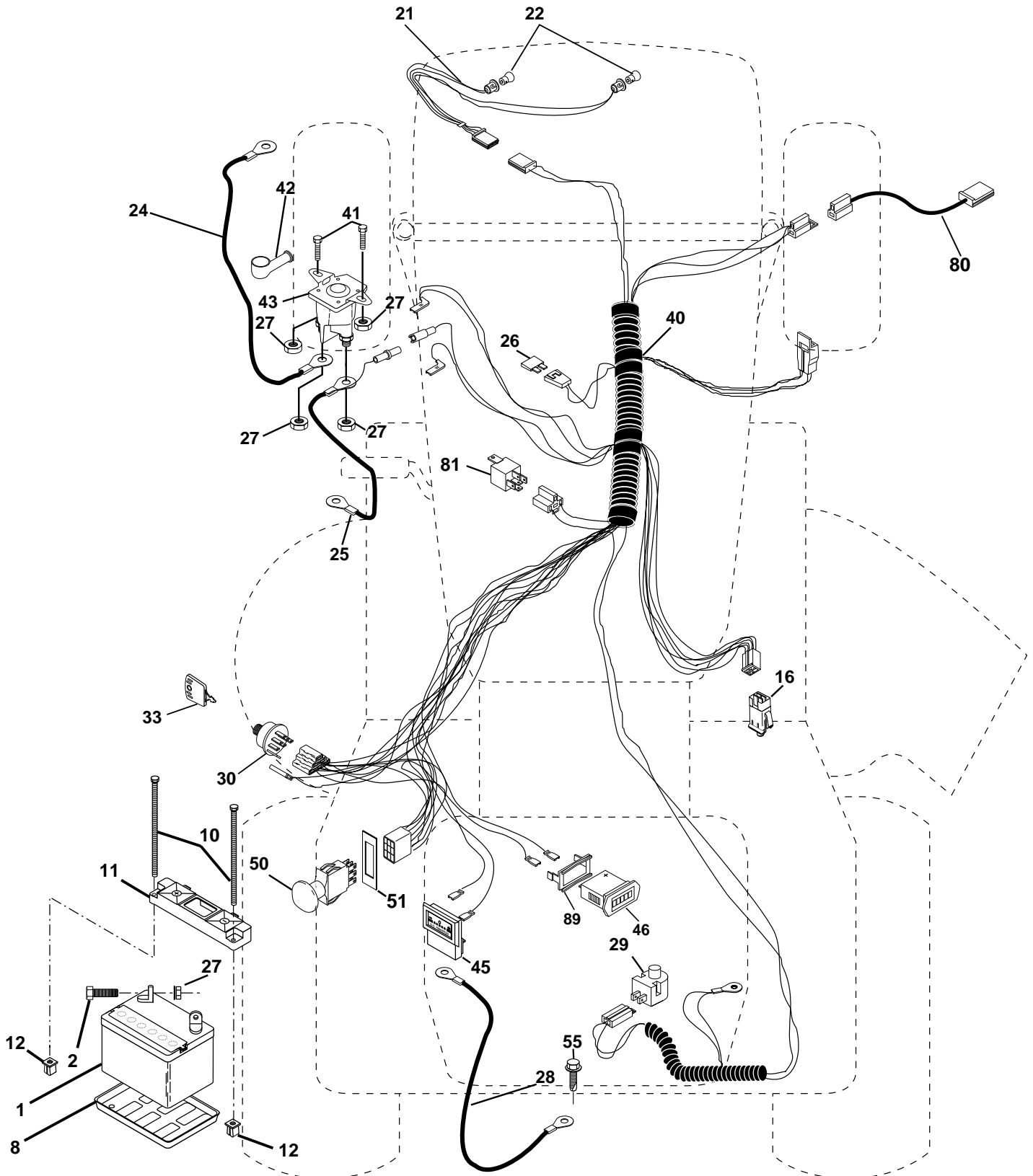
**RELAY**



# REPAIR PARTS

TRACTOR - MODEL NO. GTVH205 (954140102B), PRODUCT NO. 9541401-02

## ELECTRICAL



## REPAIR PARTS

TRACTOR - MODEL NO. GTVH205 (954140102B), PRODUCT NO. 954 14 01-02

### ELECTRICAL

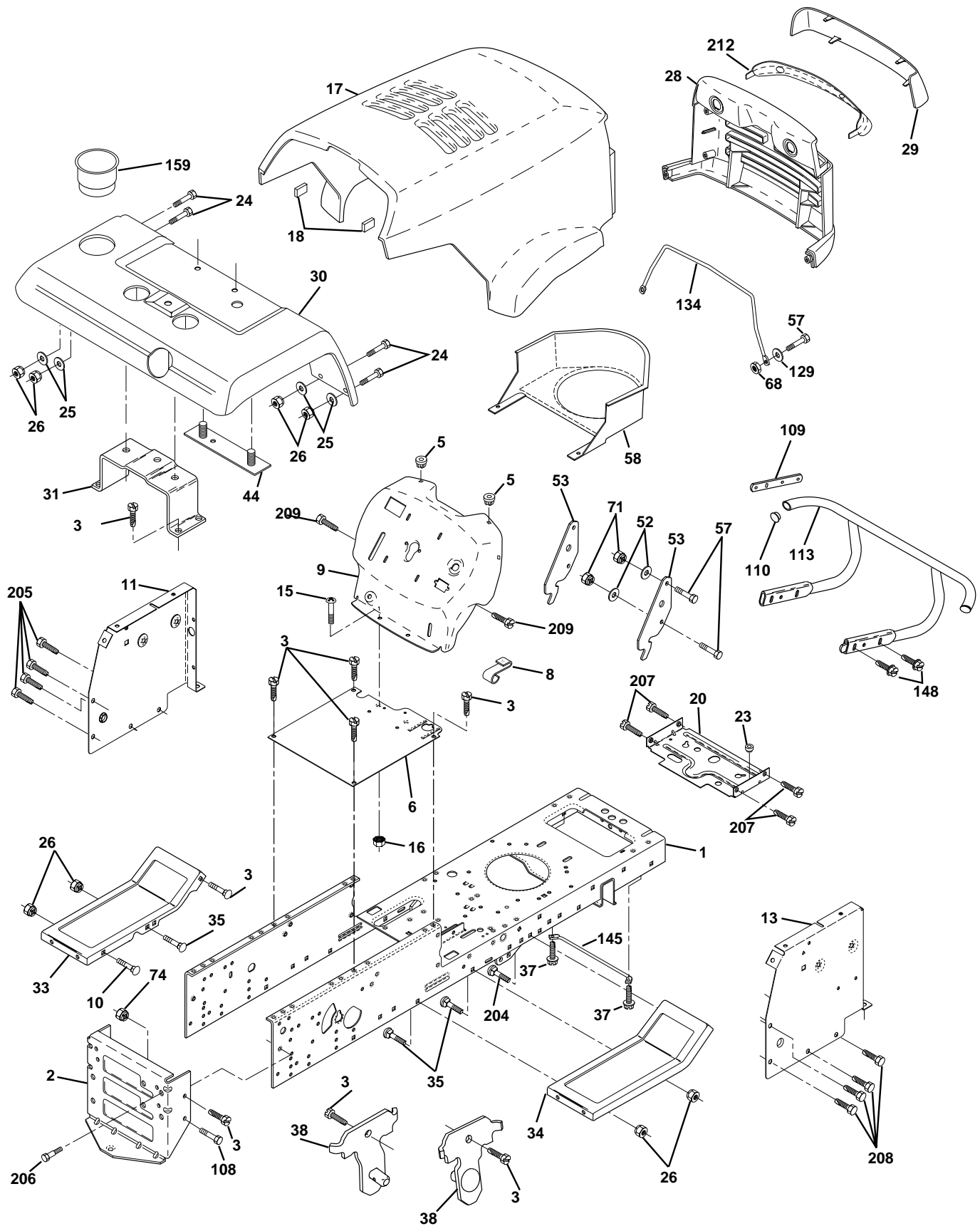
| KEY NO. | PART NO.         | DESCRIPTION                           |
|---------|------------------|---------------------------------------|
| 1       | 532144927        | Battery, 12 Volt, 35 Amp              |
| 2       | <b>874760412</b> | Bolt, Hex Head 1/4-20 UNC x 3/4       |
| 8       | 532124886        | Tray, Battery                         |
| 10      | <b>532145211</b> | Bolt, Battery Front 1/4-20 x 7.5 Zinc |
| 11      | 532150109        | Holddown Battery Dash Mount           |
| 12      | 532145769        | Nut, Push Nylon 1/4" Battery Front    |
| 16      | 532153664        | Switch Interlock Push-In              |
| 21      | 532166181        | Harness, Light                        |
| 22      | 532004152        | Bulb, Light                           |
| 24      | 532124780        | Cable, Battery, 6 Gauge, 11", Red     |
| 25      | 532146148        | Cable, Battery                        |
| 26      | 532166180        | Fuse, 15 Amp                          |
| 27      | <b>873510400</b> | Nut, Hex, Keps 1/4-20 UNC             |
| 28      | 532145491        | Cable, Ground, 6 Gauge, 12", Black    |
| 29      | 532160784        | Switch, Plunger, Normal Op Olive      |
| 30      | 532163968        | Switch, Ignition                      |
| 33      | 532140401        | Key, Ignition                         |
| 40      | 532170221        | Harness, Ignition                     |
| 41      | <b>871110408</b> | Bolt, Hex, Fin. 1/4-20 x 1/2          |
| 42      | 532131563        | Cover, Terminal, Red                  |
| 43      | 532145673        | Solenoid                              |
| 45      | 532122822        | Ammeter, Rectangular, 15 AMP          |
| 46      | 532169635        | Hourmeter Snap-In                     |
| 50      | 532169417        | Switch, PTO                           |
| 51      | 532140405        | Ring, Retainer, PTO                   |
| 55      | <b>817490508</b> | Screw, Thdrol 5/16-18 x 1/2 TYT       |
| 80      | 532146685        | Harness Clutch EVX                    |
| 81      | 532109748        | Relay Assembly                        |
| 89      | 532169639        | Bracket Snap-In Hourmeter             |

**NOTE:** All component dimensions given in U.S. inches  
1 inch = 25.4 mm

# REPAIR PARTS

TRACTOR - MODEL NO. GTVH205 (954140102B), PRODUCT NO. 954 14 01-02

## CHASIS AND ENCLOSURES



## REPAIR PARTS

TRACTOR - MODEL NO. GTVH205 (954140102B), PRODUCT NO. 954 14 01-02  
CHASIS AND ENCLOSURES

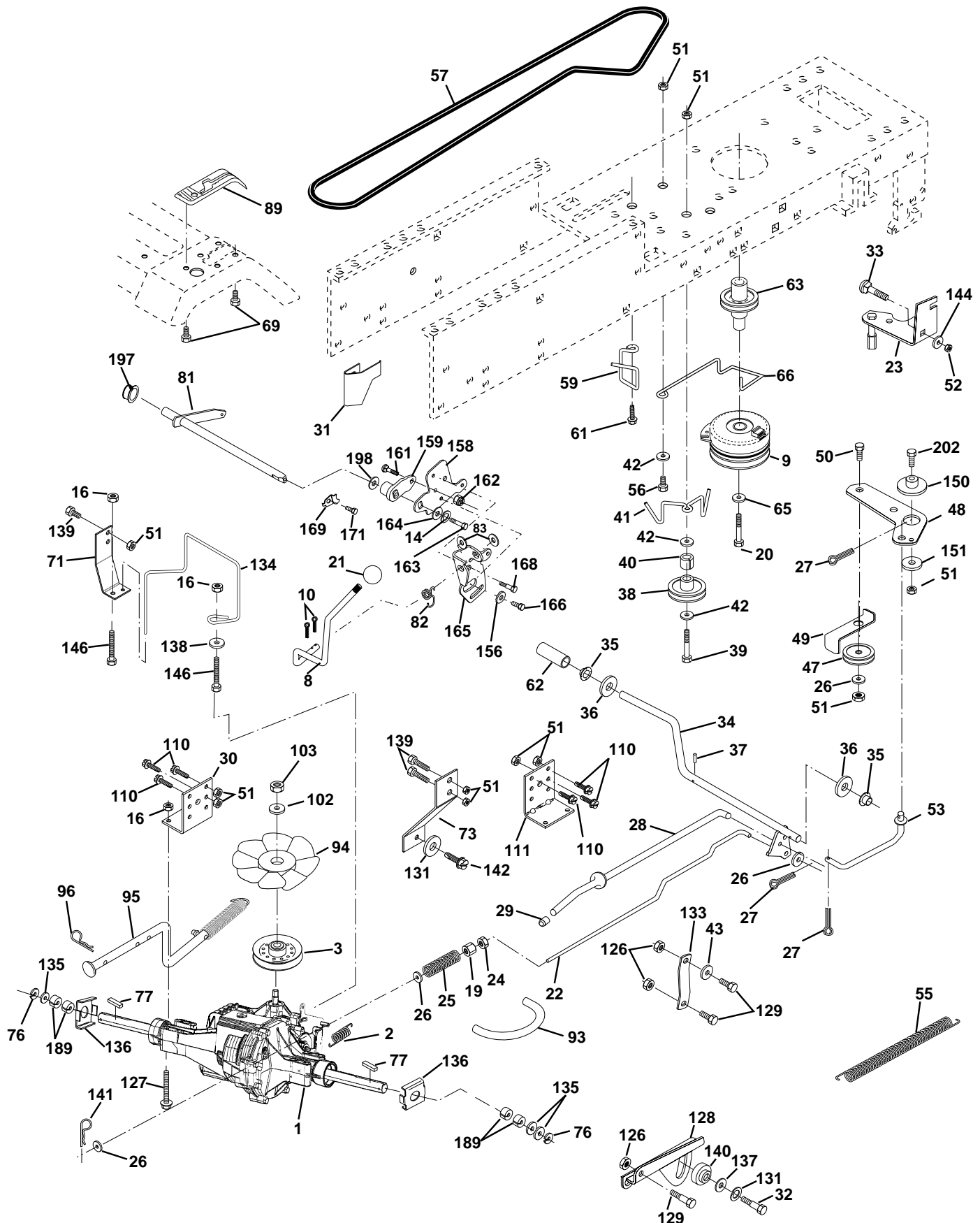
| KEY NO. | PART NO.         | DESCRIPTION                       |
|---------|------------------|-----------------------------------|
| 1       | 532169831        | Chassis Stamping                  |
| 2       | 532169061        | Drawbar                           |
| 3       | <b>817060612</b> | Screw 3/8-16x3/4                  |
| 5       | 532155272        | Bumper                            |
| 6       | 532155923        | Saddle                            |
| 8       | 532126471        | Clip Insulator                    |
| 9       | 532171560        | Dashboard                         |
| 10      | 532171150        | Bolt Rdhd Sqnk 3/8-16 Unc x 1     |
| 11      | 532156682        | Panel Asm.                        |
| 13      | <b>532172112</b> | Panel Asm.                        |
| 15      | <b>874180512</b> | Screw Mach Trhd 5/16-18 Unc x 3/4 |
| 16      | <b>873510500</b> | Nut Keps 5/16-18 Unc              |
| 17      | 532165378        | Hood                              |
| 18      | 532126938        | Bumper                            |
| 20      | 532156437        | Plate Mtg Battery/Fuel Tank       |
| 23      | 532124028        | Bushing                           |
| 24      | <b>874780616</b> | Bolt 3/8-16 Unc x 1 Gr. 5         |
| 25      | <b>819131312</b> | Washer 13/32 x 13/16 x 12 Ga.     |
| 26      | 873800600        | Nut Lock w/Insert 3/8-16 UNC      |
| 28      | 532165379        | Grille                            |
| 29      | 532165380        | Grille Lens                       |
| 30      | 532169426        | Fender                            |
| 31      | 532137113        | Bracket                           |
| 33      | 532147203        | Foot Rest, L.H.                   |
| 34      | 532147202        | Foot Rest, R.H.                   |
| 35      | <b>872110606</b> | Bolt Rdhd Sht Sqnk 3/8-16 x 3/4   |
| 37      | <b>817490508</b> | Screw Thdrol 5/16-18 x 1/2        |
| 38      | 532169834        | Bracket Asm Pivot Mower Rear      |
| 44      | 532140675        | Strap Asm. Fender                 |
| 52      | <b>819091416</b> | Washer 9/32 x 7/8 x 16 Ga.        |
| 53      | 532150067        | Bracket LT/PL Husq.               |
| 57      | <b>874780412</b> | Bolt Fin Hex 1/4-20 Unc x 3/4     |
| 58      | 532151171        | Duct Air                          |
| 68      | <b>873510400</b> | Nut Keps 1/4-20 UNC               |
| 71      | <b>873680400</b> | Nut Crownlock 1/4-20 UNC          |
| 74      | <b>873680600</b> | Nut, Crownlock 3/8-16 UNC         |
| 108     | <b>874760612</b> | Hex Bolt 3/8-16 UNC x 3/4         |
| 109     | 532170310        | Bracket Extension Bumper          |
| 110     | 532143679        | Plug Plastic                      |
| 113     | 532170311        | Bumper Asm.                       |
| 129     | <b>819091016</b> | Washer 9/32 x 5/8 x 16 Ga.        |
| 134     | 532160219        | Rod Support Hood                  |
| 145     | 532156524        | Rod Pivot Chassis Hood            |
| 148     | <b>817060620</b> | Screw 3/8-16 x 1-1/4              |
| 159     | 532166625        | Cupholder YTGT Grey               |
| 206     | <b>532170165</b> | Bolt Shoulder 5/16-18 TT          |
| 207     | <b>817670508</b> | Screw Thdrol 5/16-18 x 1/2 TYTT   |
| 208     | <b>817670608</b> | Screw Thdrol 3/8-16 x 1/2 Ty-TT   |
| 209     | <b>817000612</b> | Screw Hex Wsh Thdr 3/8-16 x 3/4   |
| 212     | <b>532156195</b> | Insert Lens Reflect               |

**NOTE:** All component dimensions given in U. S. inches.  
1 inch = 25.4 mm

# REPAIR PARTS

TRACTOR - MODEL NO. GTVH205 (954140102B), PRODUCT NO. 954 14 01-02

## DRIVE



## REPAIR PARTS

TRACTOR - MODEL NO. GTVH205 (954140102B), PRODUCT NO. 954 14 01-02

### DRIVE

| KEY NO. | PART NO.         | DESCRIPTION  | KEY NO. | PART NO.         | DESCRIPTION                      |
|---------|------------------|--|---------|------------------|----------------------------------|
| 1       | -----            | Transaxle Hydro Gear 325-3000<br>(Order parts from transaxle manufacturer) | 73      | 532158282        | Torque Fastener R.H.             |
| 2       | 532142431        | Spring, Brake Return   | 76      | 812000053        | E-Ring                           |
| 3       | 532143995        | Pulley, Transaxle  | 77      | 532124762        | Key, Square                      |
| 8       | 532166020        | Rod Shift Fender Adjust  | 81      | 532165598        | Shaft Asm Cross Tapered          |
| 9       | 532160889        | Clutch Elect EVX 80 lb.  | 82      | 532123782        | Spring, Torsion                  |
| 10      | <b>876020416</b> | Pin, Cotter 1/8 x 1  | 83      | <b>819171216</b> | Washer 17/32 x 3/4 x 16 Ga.      |
| 14      | <b>810040400</b> | Washer Lock Hvy Helical  | 89      | 532166624        | Console, Shift                   |
| 16      | <b>873800500</b> | Nut, Lock Hex w/Ins. 5/16-18 UNC   | 93      | 532142564        | Fuel Line                        |
| 19      | <b>873800600</b> | Nut, Lock Hex w/Ins. 3/8-16 Unc  | 94      | 532140462        | Fan 7"                           |
| 20      | <b>532150280</b> | Bolt Hex 7/16-20 x 4-1/4 Ga. 5   | 95      | 532158508        | Control Assembly Bypass Hydro    |
| 21      | 532140845        | Knob Delux 1/2-13 Unc  | 96      | <b>532124788</b> | Retainer, Spring 1"              |
| 22      | <b>532158274</b> | Rod, Brake   | 102     | 532141322        | Washer .501 x 1.50D              |
| 23      | 532171258        | Bracket Asm Anti Rot Evx 2000  | 103     | <b>873940800</b> | Nut Hex Jam Toplock 1/2-20 UNF   |
| 24      | <b>873500600</b> | Nut, Hex Jam 3/8-16  | 110     | <b>874760612</b> | Bolt, Hex 3/8-16 UNC x 3/4       |
| 25      | <b>532106888</b> | Spring, Rod, Brake   | 111     | 532123776        | Bracket                          |
| 26      | <b>819131316</b> | Washer 13/32 x 13/16 x 16 Ga.  | 126     | <b>532124949</b> | Locknut                          |
| 27      | <b>876020412</b> | Pin Cotter 1/8 x 3/4 Cad SD  | 127     | <b>874490548</b> | Bolt, Hex 5/16-18 UNC x 3        |
| 28      | <b>532145204</b> | Rod, Brake, Park   | 128     | 532158284        | Bracket                          |
| 29      | 532071673        | Cap, Brake Parking Black   | 129     | <b>532105529</b> | Bolt 5/16-18 UNC                 |
| 30      | 532123780        | Bracket, Transaxle   | 131     | <b>810140500</b> | Washer Lock 5/16 NDM PLTD        |
| 31      | 532123791        | Keeper, Belt, Transaxle,   | 133     | 532165926        | Link Transaxle Hydro 3000        |
| 32      | <b>874760512</b> | Hex Bolt 5/16-18 UNC x 3/4   | 134     | 532158278        | Belt, Guide                      |
| 33      | <b>872140506</b> | Bolt Rdhd Sqnk 5/16-18 Unc x 3/4   | 135     | 532123800        | Washer 1-1/32 x 1-5/8 x 16 Ga.   |
| 34      | 532155071        | Shaft, Foot Pedal  | 136     | 532163168        | Washer                           |
| 35      | 532120183        | Bearing Nylon  | 137     | <b>819111212</b> | Washer 11/32 x 3/4 x 12 Ga.      |
| 36      | <b>819211616</b> | Washer   | 138     | <b>819112016</b> | Washer 11/32 x 1.25 x 16 Ga.     |
| 37      | 532124963        | Pin, Roll  | 139     | <b>874780612</b> | Bolt, Hex 3/8-16 UNC x 3/4       |
| 38      | 532131494        | Idler, Flat  | 140     | 532004475        | Bushing                          |
| 39      | <b>874760644</b> | Bolt   | 141     | 532159197        | Pin                              |
| 40      | 532124965        | Spacer, Split  | 142     | <b>874330516</b> | Bolt 5/16 x 24 x 1               |
| 41      | 532165838        | Keeper, Idler  | 144     | <b>819111016</b> | Washer 11/32 x 5/8 x 16 Ga SD    |
| 42      | <b>819131312</b> | Washer 13/32 x 13/16 x 12 Ga.  | 146     | <b>874490536</b> | Bolt Hex Flghd 5/16-18 x 2-1/4   |
| 43      | <b>819111012</b> | Washer 11/32 x 5/8 x 12 Ga.  | 150     | 532165850        | Bushing Bellcrank Grd Drive      |
| 47      | 532127783        | Pulley, Idler  | 151     | <b>819133210</b> | Washer 13/32 x 2 x 10 Ga.        |
| 48      | 532154407        | Bellcrank Clutch Grnd Drv Stl  | 156     | <b>532166002</b> | Washer Srrted 5/16ID x 1.125     |
| 49      | 532123205        | Retainer, Belt   | 158     | 532165589        | Bracket Shift Mount              |
| 50      | <b>874760624</b> | Bolt Hex Hd 3/8-16 Unc x 1-1/2   | 159     | 532165494        | Hub Tapered Flange Shift Lt      |
| 51      | <b>873680600</b> | Nut, Crownlock 3/8-16  | 161     | <b>872140406</b> | Bolt Rdhd Sqnk 1/4-20 x 3/4 Gr 5 |
| 52      | <b>873680500</b> | Nut Crown Lock 5/16-18 Blk D   | 162     | <b>873680400</b> | Nut Crownlock 1/4-20 Unc         |
| 53      | 532105710        | Link, Clutch   | 163     | <b>874870416</b> | Bolt Hex Fin 1/4-20 Unc x 1 Gr 5 |
| 55      | 532105709        | Spring, Return, Clutch   | 164     | <b>819091010</b> | Washer 5/8 x .281 x 10 Ga        |
| 56      | <b>874760620</b> | Bolt, Hex 3/8-16 UNC x 1-1/4   | 165     | 532165623        | Bracket Pivot Lever              |
| 57      | 532161741        | V-Belt Drive   | 166     | 532166880        | Screw 5/16-18 x 5/8              |
| 59      | <b>532169691</b> | Keeper Belt Centerspan   | 168     | <b>532165492</b> | Bolt Shoulder 5/16-18 x .561     |
| 61      | <b>817060612</b> | Screw 3/8-16 x 3/4   | 169     | 532165581        | Plate Fastening Lt               |
| 62      | 532124872        | Cover, Foot Pedal  | 171     | <b>817490608</b> | Screw Thdrol 3/8-16 x 1/2        |
| 63      | 532161400        | Engine Pulley  | 189     | <b>532160849</b> | Washer Spacer Axle               |
| 65      | <b>810040700</b> | Washer   | 197     | 532169613        | Nyliner Snap-in 5/8" ID          |
| 66      | 532161488        | Keeper, Belt Engine  | 198     | 532169593        | Washer Nyl 7/8ID x 105" Hyd CRD  |
| 69      | 532142432        | Screw  | 202     | <b>872110612</b> | Bolt Carr Sh 3/8-16 X 1-1/2 Gr 5 |
| 71      | 532158283        | Torque Fastener L.H.   |         |                  |                                  |

**NOTE:** All component dimensions given in U.S. inches  
1 inch = 25.4 mm





## REPAIR PARTS

TRACTOR - MODEL NO. GTVH205 (954140102B), PRODUCT NO. 954 14 01-02

### STEERING ASSEMBLY

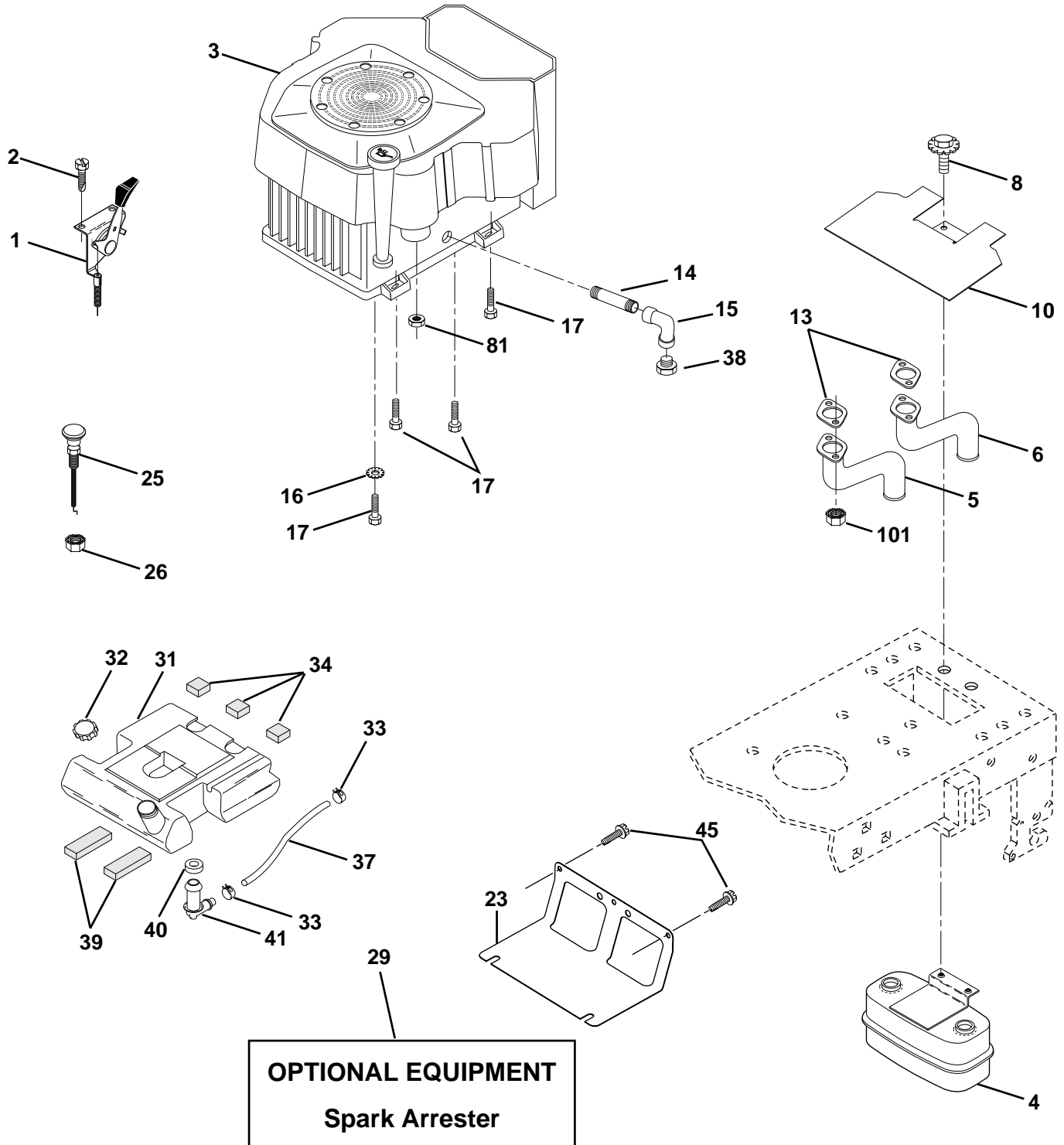
| KEY NO. | PART NO.         | DESCRIPTION                        |
|---------|------------------|------------------------------------|
| 1       | 532166627        | Steering Wheel                     |
| 2       | 532165854        | Axle, Front                        |
| 3       | 532169840        | Spindle, L.H.                      |
| 4       | 532169839        | Spindle, R.H.                      |
| 5       | 532124931        | Bearing, Thrust                    |
| 6       | <b>532121248</b> | Washer 25/32 x 1-5/8 x 16 Gauge    |
| 8       | 812000029        | Klip Ring                          |
| 10      | 532169832        | Link, Drag                         |
| 11      | <b>810040600</b> | Washer, Lock 3/8                   |
| 12      | 873940800        | Nut, Hex, Jam, Top Lock 1/2-20 UNF |
| 13      | 532136518        | Spacer Brg Axle front              |
| 15      | <b>532145212</b> | Nut Hex flange Lock                |
| 17      | 532156546        | Shaft, Steering                    |
| 18      | 532057079        | Washer                             |
| 19      | 532160395        | Shaft, Support                     |
| 22      | <b>532165857</b> | Screw Hex Wsh hd Torx              |
| 23      | 532165851        | Shaft, Pitman                      |
| 25      | 532154406        | Bracket, Steering                  |
| 27      | 532136874        | Gear, Sector                       |
| 29      | <b>817060612</b> | Screw, 3/8-16 x 3/4                |
| 32      | <b>532171888</b> | Rod, Tie                           |
| 33      | <b>819111216</b> | Washer 11/32 x 3/4 x 16 Ga.        |
| 34      | <b>810040500</b> | Washer Lock Hvy Helical 5/16       |
| 35      | <b>873540500</b> | Nut Crown Lock 5/16-24             |
| 36      | 532155099        | Bushing Steering                   |
| 37      | <b>532152927</b> | Screw TT #10-32 X 5 x 3/8 Flange   |
| 38      | 532166626        | Insert, Steering Wheel             |
| 39      | <b>819132411</b> | Washer                             |
| 40      | <b>532124701</b> | Nut, Lock Center 3/8-24 Unf Blk    |
| 41      | 532159945        | Adapter, Steering Wheel            |
| 42      | 532169634        | Boot Steering Dash P/L Mtl         |
| 43      | <b>532121749</b> | Washer, 25/32 x 1-1/4 x 16 Gauge   |
| 44      | <b>532153720</b> | Extension Steering Non-Adjust      |
| 46      | 532121232        | Spindle, Cap                       |
| 47      | 532124836        | Grease Zerk                        |
| 51      | <b>873800500</b> | Nut Lock Hex w/Ins 5/16-18 Unc     |
| 54      | <b>874780520</b> | Bolt Fin Hex 5/16-18 Unc x 1-1/4   |
| 62      | 532167902        | Kit Steering Asm Service           |
| 63      | <b>874780616</b> | Bolt Fin Hex 3/8-16 Unc x 1 Gr. 5  |
| 65      | 532160367        | Spacer Brace Axle                  |
| 66      | 532154404        | Bearing Arm Pittman                |
| 67      | <b>872140618</b> | Bolt Rdhd Sq 3/8-16 x 2-1/4        |
| 68      | 532169827        | Brace Brace Axle                   |
| 79      | <b>819132012</b> | Washer 13/32 x 1-1/4 x 12 Ga       |
| 80      | <b>874950612</b> | Bolt Hex Nylon 3/8-16 x 3/4        |
| 82      | 532169835        | Bracket Susp Chassis Front 15"     |
| 85      | <b>532133835</b> | Fastner Christmas Tree             |

**NOTE:** All component dimensions given in U.S. inches.  
1 inch = 25.4 mm

# REPAIR PARTS

TRACTOR - MODEL NO. GTVH205 (954140102B), PRODUCT NO. 954 14 01-02

## ENGINE



## REPAIR PARTS

TRACTOR - MODEL NO. GTVH205 (954140102B), PRODUCT NO. 954 14 01-02

### ENGINE

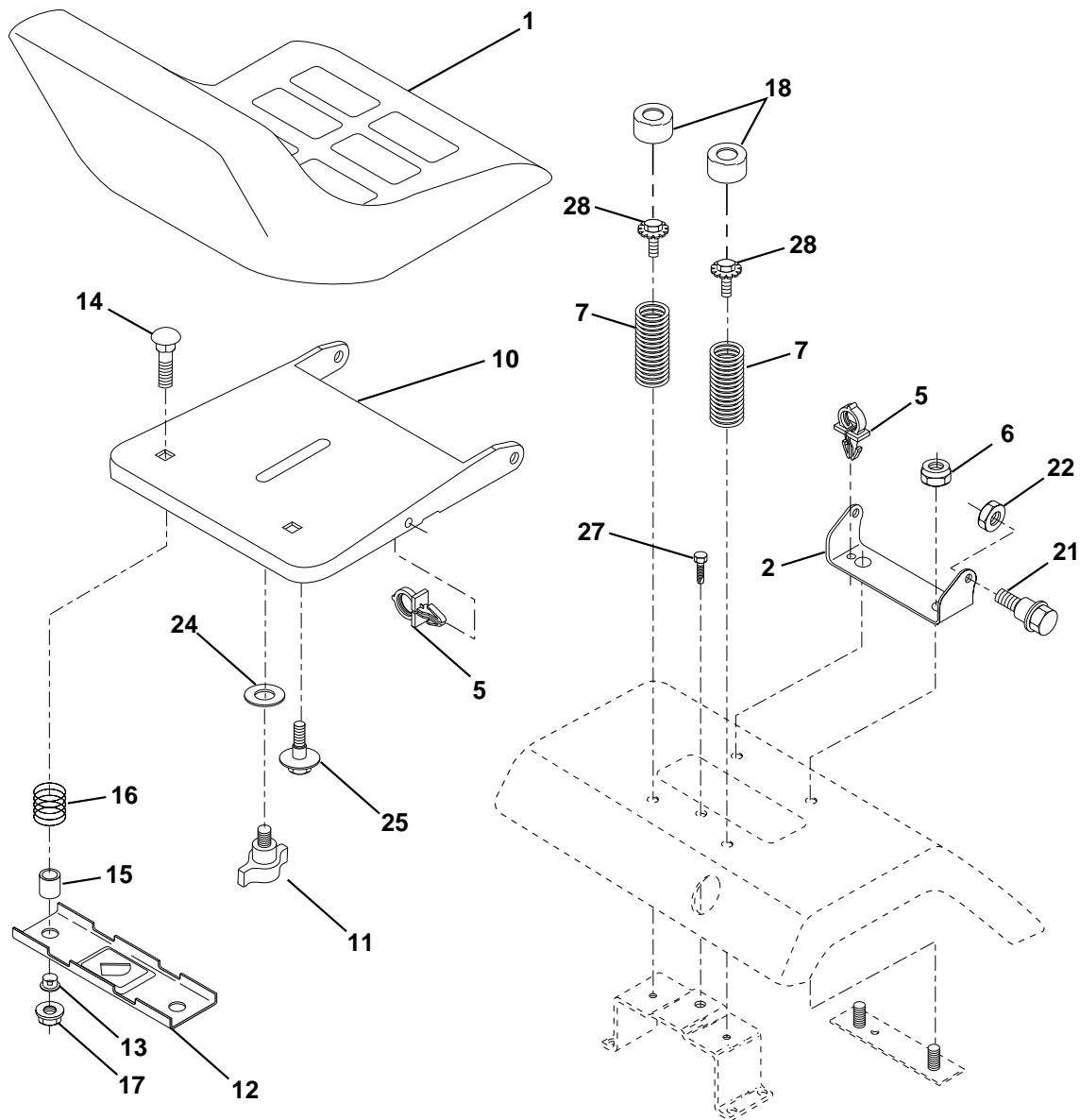
| KEY NO. | PART NO.         | DESCRIPTION   |
|---------|------------------|---|
| 1       | 532155274        | Control, Throttle   |
| 2       | <b>817720410</b> | Screw, Hex Head, Thread Cutting 1/4-20 x 5/8                  |
| 3       | -----            | Engine, Kohler CV20<br>(Order parts from engine manufacturer) |
| 4       | 532149723        | Muffler   |
| 5       | 532146699        | Pipe Exhaust, LH  |
| 6       | 532146700        | Pipe Exhaust, RH  |
| 8       | <b>532150176</b> | Bolt 5/16-18 UNC x 3/4 w/Sems                                 |
| 10      | 532146629        | Shield Heat Muffler   |
| 13      | 532163307        | Muffler Gasket<br>(Order from Engine Manufacturer)            |
| 14      | 813280336        | Nipple, Pipe 3/8 NPT x 4-1/2                                  |
| 15      | 813200300        | Elbow, Standard 90° 3/8-18 NPT                                |
| 16      | <b>811050600</b> | Washer, Lock, External Tooth 3/8                              |
| 17      | <b>817490624</b> | Screw Thdrol 3/8-16 x 1-1/2                                   |
| 23      | 532169837        | Shield, Browning/ Debris Guard                                |
| 25      | 532145996        | Choke Control   |
| 26      | 873920600        | Nut, Keps 3/8-24 UNF  |
| 29      | 532137180        | Kit, Spark Arrestor   |
| 31      | 532151346        | Tank Fuel 3 50 Rear   |
| 32      | 532140527        | Cap Asm Fuel W/sym Vented                                     |
| 33      | 532123487        | Clamp, Hose   |
| 34      | 532106082        | Pad, Spacer   |
| 37      | 532142158        | Line, Fuel  |
| 38      | -----            | Plug, Oil Drain<br>(Order From Engine Manufacturer)           |
| 39      | 532109227        | Pad, Idler  |
| 40      | 532124952        | Bushing   |
| 41      | 532139277        | Stem, Fuel Tank   |
| 45      | <b>817000612</b> | Screw Hex Wsh Thdr 3/8-16 x 3/4                               |
| 81      | <b>873510400</b> | Nut, Keps Hex 1/4-20 Unc                                      |
| 101     | 532163305        | Nut Flange M8-1.25 Non-Lk Zink                                |

**NOTE:** All component dimensions given in U.S. inches.  
1 inch = 25.4 mm

# REPAIR PARTS

TRACTOR - MODEL NO. GTVH205 (954140102B), PRODUCT NO. 954 14 01-02

## SEAT ASSEMBLY



| KEY NO. | PART NO.         | DESCRIPTION                   |
|---------|------------------|-------------------------------|
| 1       | 532140840        | Seat                          |
| 2       | 532140551        | Pivot Bracket, Seat           |
| 5       | 532145006        | Clip, Push-in Hinged          |
| 6       | <b>873800600</b> | Nut Lock Hex w/Ins 3/8-16 Unc |
| 7       | 532124181        | Spring, Seat                  |
| 10      | 532155925        | Pan, Seat                     |
| 11      | 532166369        | Knob, Seat                    |
| 12      | 532121246        | Bracket, Switch Mounting      |
| 13      | 532121248        | Bushing, Snap, Black, Nylon   |
| 14      | <b>872050412</b> | Bolt, Carriage 1/4-20 x 1-1/2 |
| 15      | 532121249        | Spacer, Split .28 x .96       |

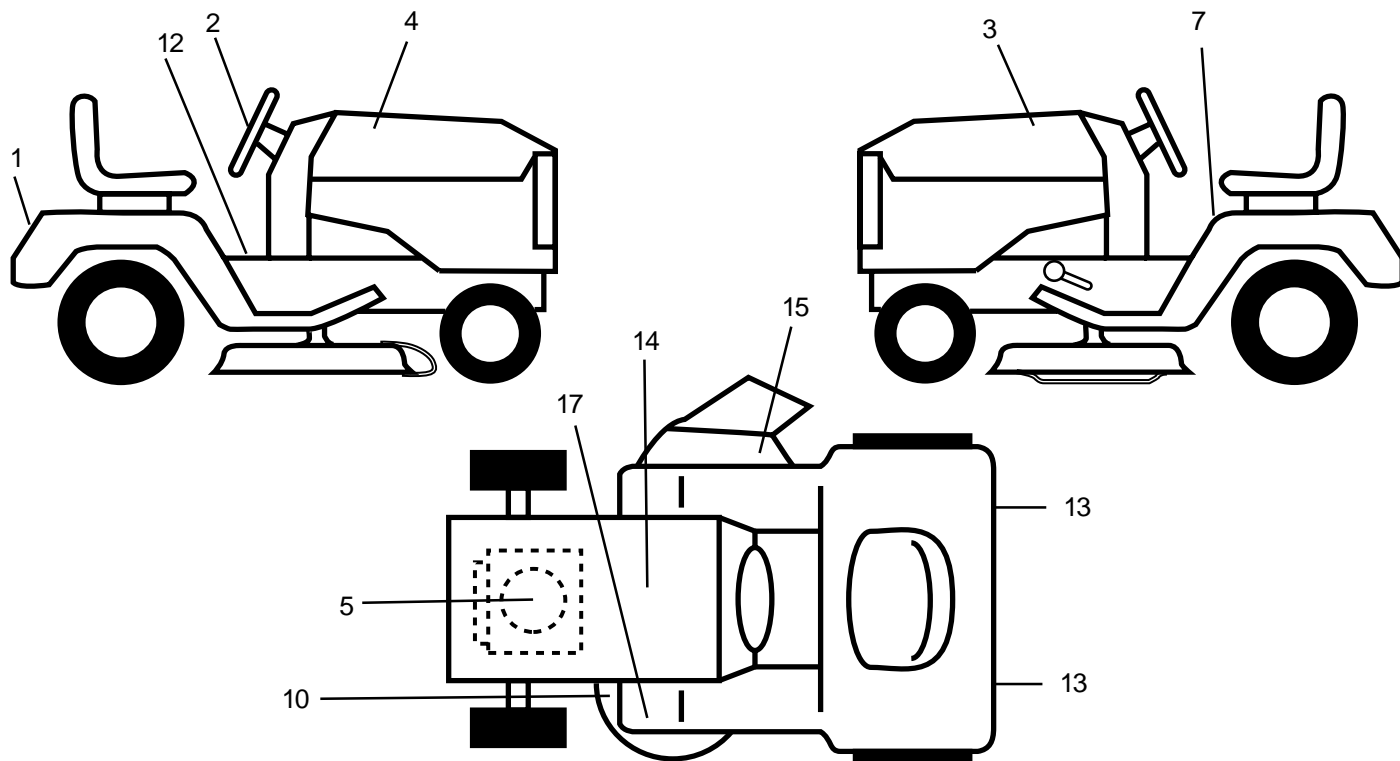
| KEY NO. | PART NO.         | DESCRIPTION                      |
|---------|------------------|----------------------------------|
| 16      | 532123740        | Spring                           |
| 17      | <b>532123976</b> | Locknut, Flange 1/4 Grade 5      |
| 18      | 532124238        | Cap Spring Seat Blk 1.75 x 1.0   |
| 21      | <b>532171852</b> | Bolt, Shoulder 5/16-18 Unc -2A   |
| 22      | <b>873800500</b> | Nut Lock Hex w/Ins. 5/16-18      |
| 24      | <b>819171912</b> | Washer 17/32 x 1-3/16 x 12 Gauge |
| 25      | <b>532127018</b> | Bolt, Shoulder 5/16-18 x .62     |
| 27      | <b>817490608</b> | Screw Thdrol 3/8-16 x 3/4        |
| 28      | <b>532171877</b> | Bolt 5/16-18 UNC x 3/4 w/Sems    |

**NOTE:** All component dimensions given in U.S. inches  
1 inch = 25.4 mm

# REPAIR PARTS

TRACTOR - MODEL NO. GTVH205 (954140102B), PRODUCT NO. 954 14 01-02

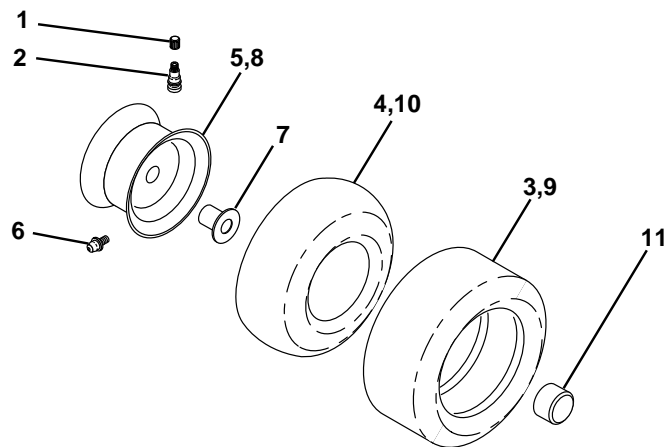
## DECALS



| KEY NO. | PART NO.  | DESCRIPTION                        |
|---------|-----------|------------------------------------|
| 1       | 532150617 | Decal, Fender                      |
| 2       | 532170564 | Decal Wheel Steering               |
| 3       | 532170941 | Decal, Hood LH                     |
| 4       | 532170940 | Decal, Hood RH                     |
| 5       | 532166105 | Decal, HP Engine                   |
| 7       | 532157140 | Decal, Danger Fender English/rench |
| 10      | 532160397 | Decal, V-Belt Sch                  |
| 12      | 532156993 | Decal, Saddle Oper Instr.          |
| 13      | 532106202 | Reflector Taillight                |

| KEY NO. | PART NO.         | DESCRIPTION                     |
|---------|------------------|---------------------------------|
| 14      | 532145005        | Decal, Btry Dngr/PSn            |
| 15      | 532137259        | Decal, Warning Multi-Language   |
| 17      | 532101892        | Decal, Clutch/Brake             |
| --      | 532142341        | Decal, Drawbar Cntrl Mvt        |
| --      | 532171237        | Pad, Footrest                   |
| --      | 532138311        | Decal, Handle Lft Height Adjust |
| --      | <b>532174474</b> | Manual, Owner's (English)       |
| --      | <b>532174475</b> | Manual, Owner's (French)        |

## WHEELS & TIRES



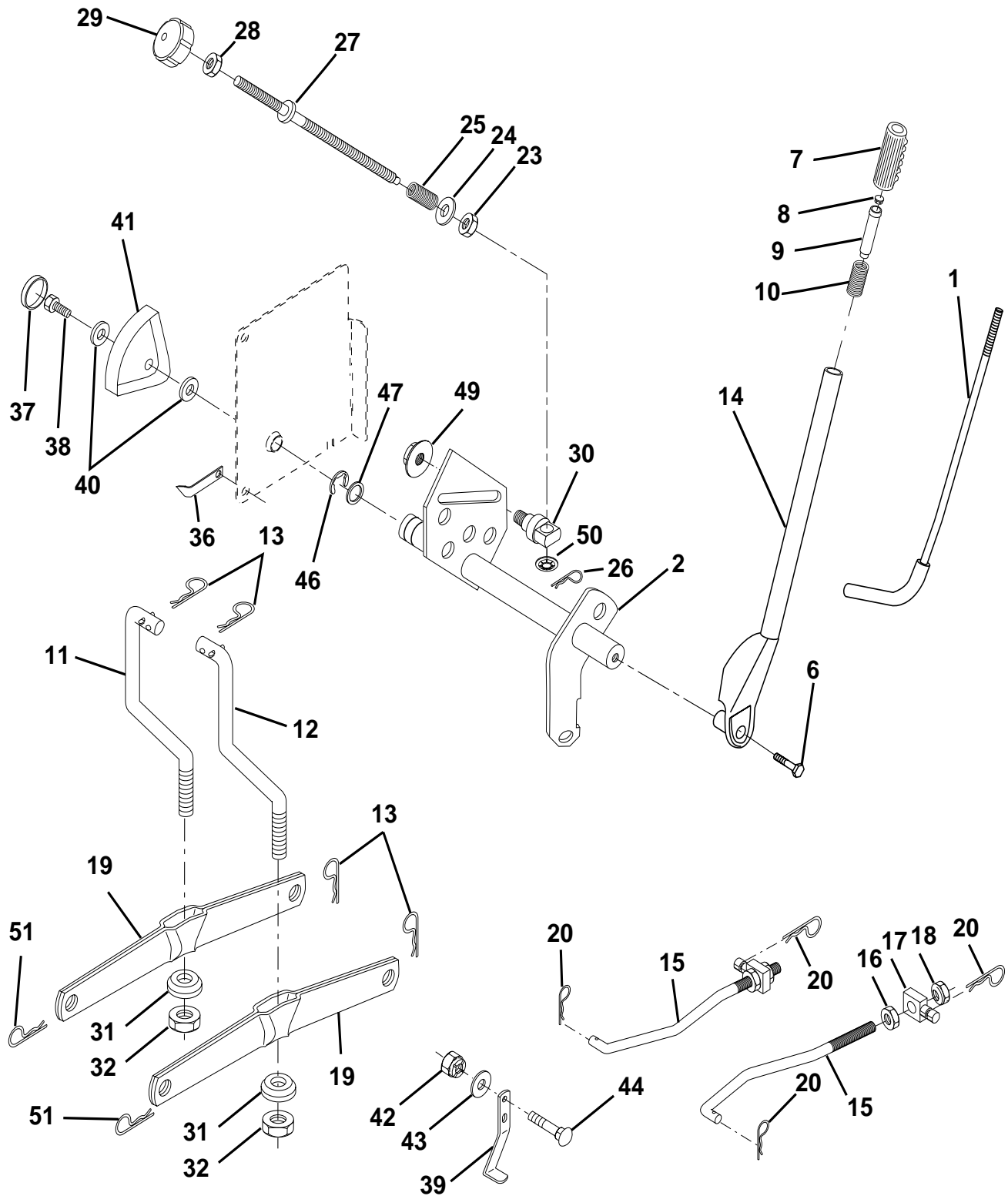
| KEY NO. | PART NO.  | DESCRIPTION                       |
|---------|-----------|-----------------------------------|
| 1       | 532059192 | Cap Valve Tire                    |
| 2       | 532065139 | Stem Valve                        |
| 3       | 532106222 | Tire F                            |
| 4       | 532059904 | Tube Front (Service Item Only)    |
| 5       | 532138336 | Rim Asm 6" front                  |
| 6       | 532124957 | Fitting Grease (Front Wheel Only) |
| 7       | 532124959 | Bearing Flange (Front Wheel Only) |
| 8       | 532164127 | Rim Asm 12" rear                  |
| 9       | 532124106 | Tire Rear                         |
| 10      | 532007154 | Tube Rear (Service Item Only)     |
| 11      | 532104757 | Cap Axle Blk 1 50 X 1 00          |
| --      | 532144334 | Sealant, Tire (1 Doz. Tube)       |

**NOTE:** All component dimensions given in U.S. inches  
1 inch = 25.4 mm

# REPAIR PARTS

TRACTOR - MODEL NO. GTVH205 (954140102B), PRODUCT NO. 9541401-02

## MOWER LIFT



## REPAIR PARTS

TRACTOR - MODEL NO. GTVH205 (954140102B), PRODUCT NO. 954 14 01-02

### MOWER LIFT

| KEY NO. | PART NO.         | DESCRIPTION                         |
|---------|------------------|-------------------------------------|
| 1       | 532121006        | Rod Assembly, Lever                 |
| 2       | 532159188        | Shaft Assembly, Lift                |
| 6       | <b>874780624</b> | Bolt, Hex Head, Fin. 3/8-16 x 1-1/2 |
| 7       | 532125631        | Grip Handle                         |
| 8       | 532124526        | Button Plunger Black                |
| 9       | 532122364        | Plunger Lever Lift                  |
| 10      | 532124874        | Spring                              |
| 11      | 532145537        | Link, Lift, LH                      |
| 12      | 532145536        | Link, Lift, RH                      |
| 13      | 532124670        | Retainer Spring                     |
| 14      | 532159189        | Lever Assembly, Lift, RH            |
| 15      | <b>532173288</b> | Link, Front                         |
| 16      | <b>873350800</b> | Nut, Hex, Jam 1/2-13 UNC            |
| 17      | 532130171        | Trunnion                            |
| 18      | <b>873800800</b> | Nut Lock w/Wsh 1/2-13 Unc           |
| 19      | 532139868        | Arm, Suspension, Rear               |
| 20      | <b>532163552</b> | Retainer Spring                     |
| 23      | 532110807        | Nut, Special                        |
| 24      | <b>819131016</b> | Washer 13/32 x 5/8 x 16 Gauge       |
| 25      | 532124874        | Spring                              |
| 26      | <b>532169484</b> | Retainer Clip                       |
| 27      | <b>532126971</b> | Adjustment Rod, Lift                |
| 28      | <b>873350600</b> | Nut, Hex, Jam 3/8-16 UNC            |
| 29      | 532138057        | Knob, Infinite Height Adjustment    |
| 30      | <b>532150233</b> | Trunnion, Inf. Height               |
| 31      | <b>532169865</b> | Bearing                             |
| 32      | 873540600        | Nut, Crownlock 3/8-24               |
| 36      | 532155097        | Pointer Height Indicator            |
| 37      | 532123935        | Plug Hole Blk 1.485/1.515 Dia.      |
| 38      | <b>817060516</b> | Screw 5/16-18 x 1 Smgml Tap/R       |
| 39      | 532142992        | Stop Over Center                    |
| 40      | <b>819112410</b> | Washer 11/32 x 1-1/2 10 Ga.         |
| 41      | 532123934        | Scale Ind. Height Blk.              |
| 42      | <b>873680600</b> | Nut, Crownlock 3/8-16 UNC           |
| 43      | <b>819131612</b> | Washer 13/32 x 1 x 12 Ga.           |
| 44      | <b>872240608</b> | Bolt, Carriage 3/8-16 x 1.00        |
| 46      | 812000022        | E-Ring                              |
| 47      | <b>819292016</b> | Washer                              |
| 49      | <b>532145212</b> | Nut Hex Flange Lock                 |
| 50      | 532110452        | Nut Push Phos & Oil                 |
| 51      | <b>532124670</b> | Retainer Spring                     |

**NOTE:** All component dimensions given in U.S. inches  
1 inch = 25.4 mm





## REPAIR PARTS

TRACTOR - MODEL NO. GTVH205 (954140102B), PRODUCT NO. 954 14 01-02

### MOWER DECK

| KEY NO. | PART NO.         | DESCRIPTION   | KEY NO. | PART NO.         | DESCRIPTION                         |
|---------|------------------|---|---------|------------------|-------------------------------------|
| 1       | 532164212        | Deck Asm., Mower 46"                                | 42      | 532165723        | Spacer, Retainer, Mower             |
| 3       | 532138457        | Bracket Asm., Sway Bar                              | 43      | 532144949        | Arm, Idler Secondary                |
| 5       | <b>532124670</b> | Retainer Spring                                     | 44      | 532133943        | Washer, Hardened                    |
| 6       | 532130832        | Arm, Suspension, Rear (Sway Bar)                    | 45      | 532145059        | Cover, Mandrel Deck                 |
| 8       | 532850857        | Bolt, Patched 3/8-24 x 1-1/4 Gr. 8                  | 46      | <b>532137729</b> | Screw, Thdroll. 1/4-20 x 5/8        |
| 9       | <b>810030600</b> | Washer, Lock Hvy., Unplated 3/8                     | 47      | 532144959        | V-Belt, Mower, Secondary            |
| 10      | 532140296        | Washer, Hard Blade, Mower Vented                    | 48      | 532148763        | V-Belt, Mower, Primary              |
| 11      | 532170698        | Blade, High Performance                             | 49      | <b>873680600</b> | Nut, Crownlock 3/8-16 UNC           |
|         | 532152443        | Blade, Mulching                                     | 50      | <b>872110612</b> | Bolt, Carriage 3/8-16 x 1-1/2 Gr. 5 |
| 12      | 532129895        | Bearing, Ball, Mandrel #6204                        | 51      | 532153390        | Washer Felt                         |
| 13      | 532137553        | Shaft Asm. w/Lower Bearing<br>(Includes Key No. 12) | 52      | 532156493        | Pulley Idler 46 Pri Drive 97        |
| 14      | 532137152        | Housing, Mandrel                                    | 56      | 532155986        | Bar Adjusting Gauge Wheel           |
| 15      | 532110485        | Bearing, Ball, Mandrel                              | 57      | <b>532156941</b> | Pin Head Rivet                      |
| 16      | 532140329        | Stripper, Mower Round                               | 72      | <b>819131616</b> | Washer 13/32 x 1 x 16 Ga.           |
| 18      | <b>872140505</b> | Bolt, Carriage 5/16-18 x 5/8                        | 90      | <b>874760616</b> | Bolt, Fin Hex 3/8-16 UNC x 1        |
| 19      | <b>532132827</b> | Bolt, Shoulder 5/16-18                              | 91      | 532132274        | Bracket Asm. Noseroller, Lh         |
| 20      | 532145055        | Baffle, Vortex Mower 46"                            | 92      | <b>873800600</b> | Nut Lock Hex W/Ins. 3/8-16 Unc      |
| 21      | <b>873680500</b> | Nut, Crownlock 5/16-18 UNC                          | 93      | <b>819171416</b> | Washer 17/32 x 7/8 x 16 Ga.         |
| 22      | 532134753        | Stiffener, Bracket                                  | 94      | 532132264        | Roller Nose 38 & 42                 |
| 23      | 532131267        | Bracket, Deflector                                  | 95      | 532132273        | Bracket Asm. Noseroller, Rh         |
| 24      | 532105304        | Cap, Sleeve   | 101     | 532145579        | Cover Mulcher                       |
| 25      | 532149287        | Spring, Torsion, Deflector                          | 102     | 871161010        | Screw Truss Hd Phil 10-24 x 5/8     |
| 26      | 532110452        | Nut, Push   | 103     | 810071000        | Washer Lock #10                     |
| 27      | 532171384        | Deflector Clipping 46" Grey                         | 104     | 532125004        | Nut Weld                            |
| 28      | <b>819111016</b> | Washer 11/32 x 5/8 x 16 Ga.                         | 105     | 819061216        | Washer #10                          |
| 29      | <b>532131491</b> | Rod, Hinge  | 106     | 532160793        | Latch Asm Mulch/Bagger              |
| 30      | <b>532157722</b> | Screw, Thdroll Washer Head                          | 116     | <b>532137644</b> | Bolt, Shoulder                      |
| 31      | <b>532129965</b> | Washer, Spacer Mower Vented                         | 117     | 532133957        | Gauge Wheel                         |
| 32      | 532153531        | Pulley, Mandrel                                     | 118     | <b>873930600</b> | Nut, Centerlock 3/8-16 UNC          |
| 33      | <b>532137266</b> | Nut, Flg. Top Lock Cntr. 9/16                       | 119     | <b>819121414</b> | Washer 3/8 x 7/8 x 14 Ga.           |
| 34      | 532144945        | Anchor, Spring Deck 46"                             | 126     | 532144948        | Arm, Idler, Primary Deck 46"        |
| 35      | <b>817490628</b> | Screw thdroll 3/8-16 x 1-3/4 Tytt                   | 127     | 532146763        | Pulley, Idler, V-Groove Dim. 4.25   |
| 36      | <b>819131316</b> | Washer 13/32 x 13/16 x 16 Ga.                       | --      | 532143651        | Mandrel Asm 44"/46"/50" Service     |
| 37      | 532131494        | Pulley, Idler, Flat                                 | --      | <b>532171561</b> | Deck Complete (Std. Deck-Order      |
| 38      | 532156086        | Keeper, Belt, Idler                                 |         |                  | separately nose roller and gauge    |
| 39      | 532144917        | Pulley, Idler, Driven                               |         |                  | wheel components Key Nos. 90-95     |
| 40      | 532137273        | Spring, Secondary 44/46/50 Vent                     |         |                  | and 116-118)                        |
| 41      | <b>817060620</b> | Screw, 3/8-16 x 1-1/4 Smgml Tap/R                   |         |                  |                                     |

**NOTE:** All component dimensions given in U.S. inches  
1 inch = 25.4 mm