



Illustrated Parts  
List

2000-02  
10002006

# Hydro-Gear



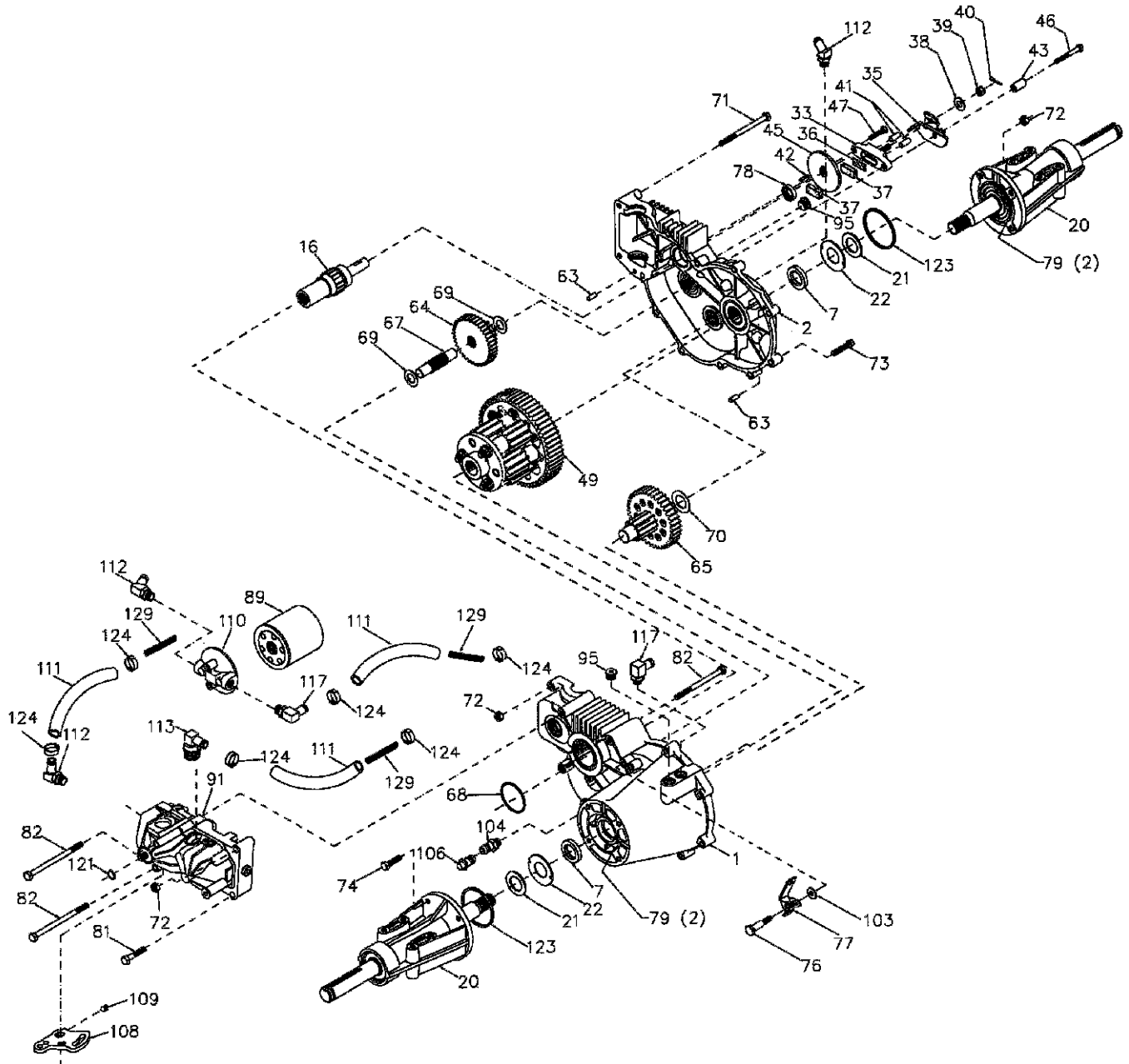
**Transaxle**

**222-3010L**

This parts list is for information purposes only.

Please contact the transaxle manufacturer to order repair parts or complete transaxles, as these are not available through Husqvarna.

**HYDRO GEAR TRANSAXLE - - MODEL NUMBER 222-3010L**



## REPAIR PARTS

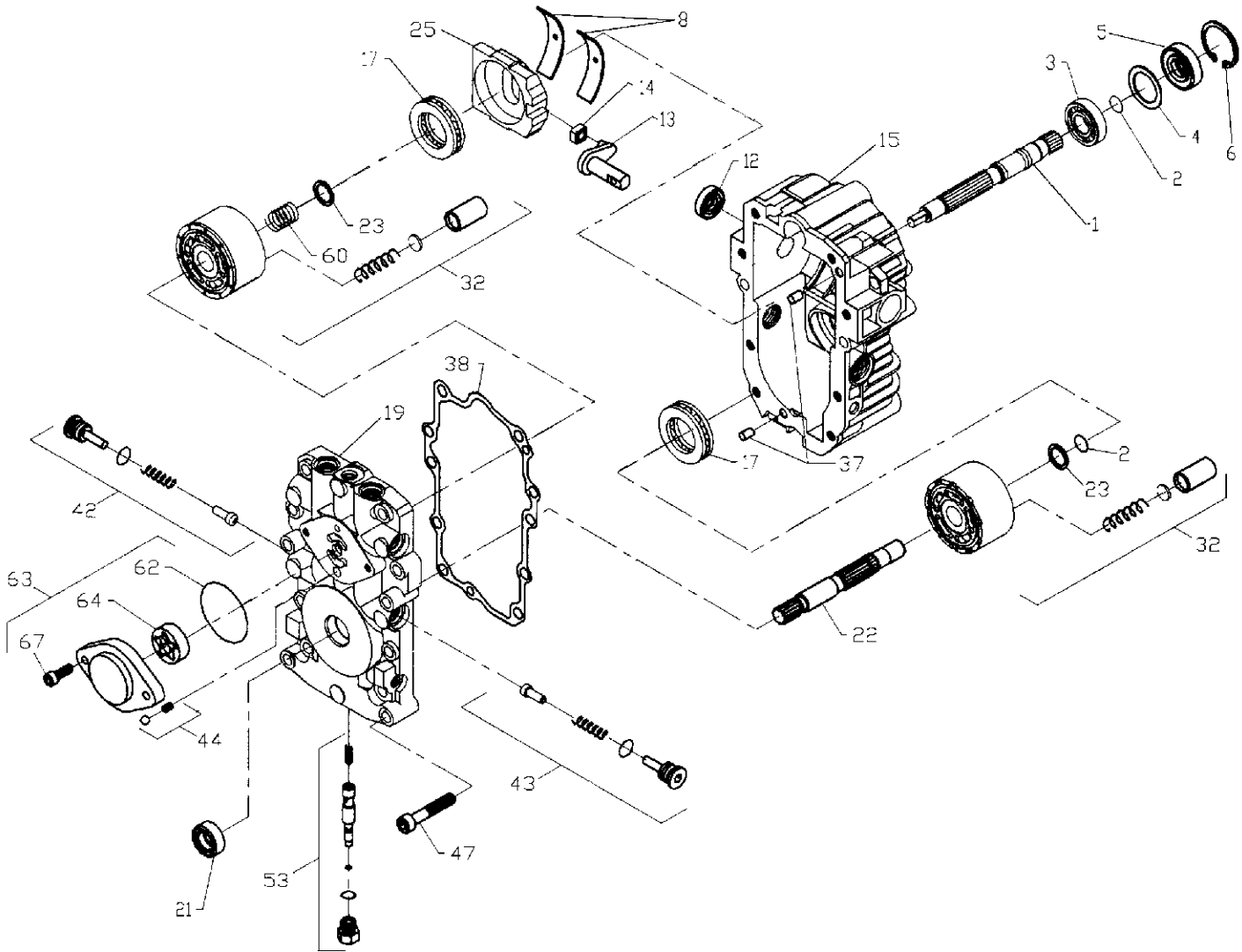
### HYDRO GEAR TRANSAXLE - - MODEL NUMBER 222-3010L

KEY NO.	PART NO.	DESCRIPTION	KEY NO.	PART NO.	DESCRIPTION
1	164591	Assembly, Housing, LH	72	153767	Locknut, Hex 5/16-18
2	164592	Assembly, Housing, RH	73	142904	Bolt, Hex 5/16-18 x 1-1/2
7	153765	Oil Seal .984 x 1.5 x .25	74	142905	Hex Cap Screw 5/16-18 x 1
16	142876	Brake Shaft Assembly	76	142907	Shoulder Bolt
20	142877	Axle Mounting Horn Assembly	77	142908	Freewheel Actuating Arm
21	142878	Washer 1.0 x 1.63 x .08	78	142909	Oil Seal .625 x 1.0 x .25
22	142879	Washer 1.0 x 2.06 x .09	79	153768	Grease (10 oz. Tube)
33	142929	Brake Yoke Assembly	81	142910	Bolt, Hex 5/16-18 x 1-3/4
35	142880	Brake Arm	82	142911	Bolt 5/16-18 x 4-1/2
36	142882	Puck Plate	89	142912	Filter, Spin On
37	142883	Brake Puck	91	153769	Pump, BDU-10L-122
38	142884	Washer 7/8 O.D. x 7/16 x .060	95	142914	Plug, Straight Thread
39	142885	Nut, Castle 5/16-24	96	153770	60° 7/18 SAE x 5/16 Fitting
40	142886	Cotter Pin	103	142916	Washer
41	142887	Brake Actuating Pin	104	142917	Vent Cap Assembly
42	142888	Hi Pro Key	106	142918	Fitting O-Ring Assembly
43	142889	Spacer	108	142919	Control Arm
45	142890	Brake Disc	109	142920	Set Screw
46	142891	Bolt 1/4-20 x 1-1/2	110	142921	Filter Head
47	142892	Bolt 1/4-20 x 1	111	150820	Hose 1/2"
49	153766	Differential Assembly	112	150823	Fitting, 1/2" Beaded 90° 7/8 SAE
63	142894	Dowel Pin	113	150821	Fitting, 1/2" Beaded 60° 9/16
64	150818	Reduction Gear, 14 Teeth to 38 Teeth	117	150822	Fitting, 1/2" Beaded 90° 9/16
65	142897	Final Drive Pinion Assembly	123	150824	O Ring
67	142898	Jackshaft	124	150825	Pinch Clamp
68	142899	O-Ring	129	153771	Spring, Long
69	142900	Washer 5/8 X 1-5/32			
70	142901	Washer 7/8 X 1-1/2			
71	142902	Bolt, Hex 5/16-18 x 3.5			

**NOTE:** All component dimensions given in U.S. inches  
1 inch = 25.4 mm

For Husqvarna Parts Call 606-678-9623 or 606-561-4983  
**REPAIR PARTS**

**HYDRO GEAR PUMP - MODEL NUMBER BU-10L-122**



KEY NO.	PART NO.	DESCRIPTION	KEY NO.	PART NO.	DESCRIPTION
1	144569	Shaft, Pump	25	127148X	Swashplate, Variable
2	122716X	Ring, Retaining	32	142938	Block Assembly
3	122745X	Bearing, Ball	37	122786X	Pin, Stainless, Headless
4	122715X	Spacer	38	122718X	Gasket, Center Section
5	122700X	Seal, Lip	42	144578	Check Valve Kit
6	122699X	Ring, Retaining	43	144578	Check Valve Kit
8	122767X	Bearing, Cradle	44	144579	Charge Relief Kit
12	122717X	Seal, Lip	47	122752X	Screw, Socket Head, Cap
13	122748X	Arm, Trunnion	53	127153X	Bypass Valve Kit
14	122749X	Guide, Slot	60	142977	Block Spring
15	144571	Housing Kit, Transmission	62	144581	O-Ring
17	122770X	Bearing, Thrust, Ball	63	144582	Charge Pump Kit
19	153801	Center Section Kit	64	144583	Gerotor Assembly
21	122722X	Seal, Lip	67	144584	Screw, Socket Head, Cap
22	144573	Shaft, Motor	--	153769	Pump Assembly, Complete
23	142978	Washer, Block Thrust			