



Illustrated Parts
List

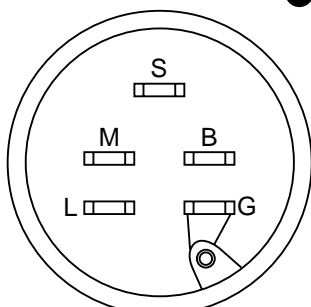
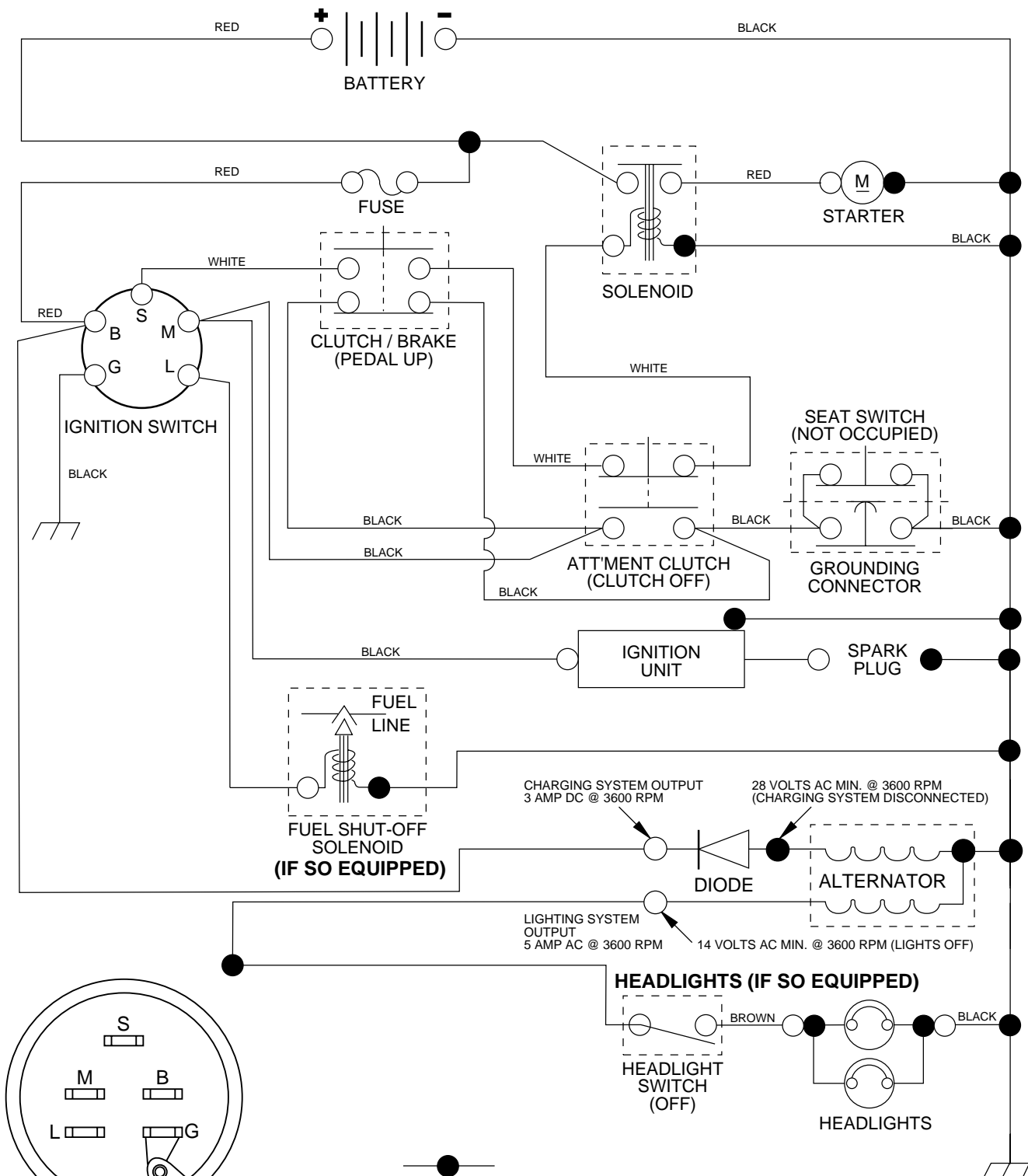
2000-01
10002004

LR 122



954140105B

SCHEMATIC



IGNITION SWITCH

POSITION	CIRCUIT
OFF	M + G
ON	B + L
START	B + S + L

● ——— ●
NON-REMOVABLE CONNECTIONS

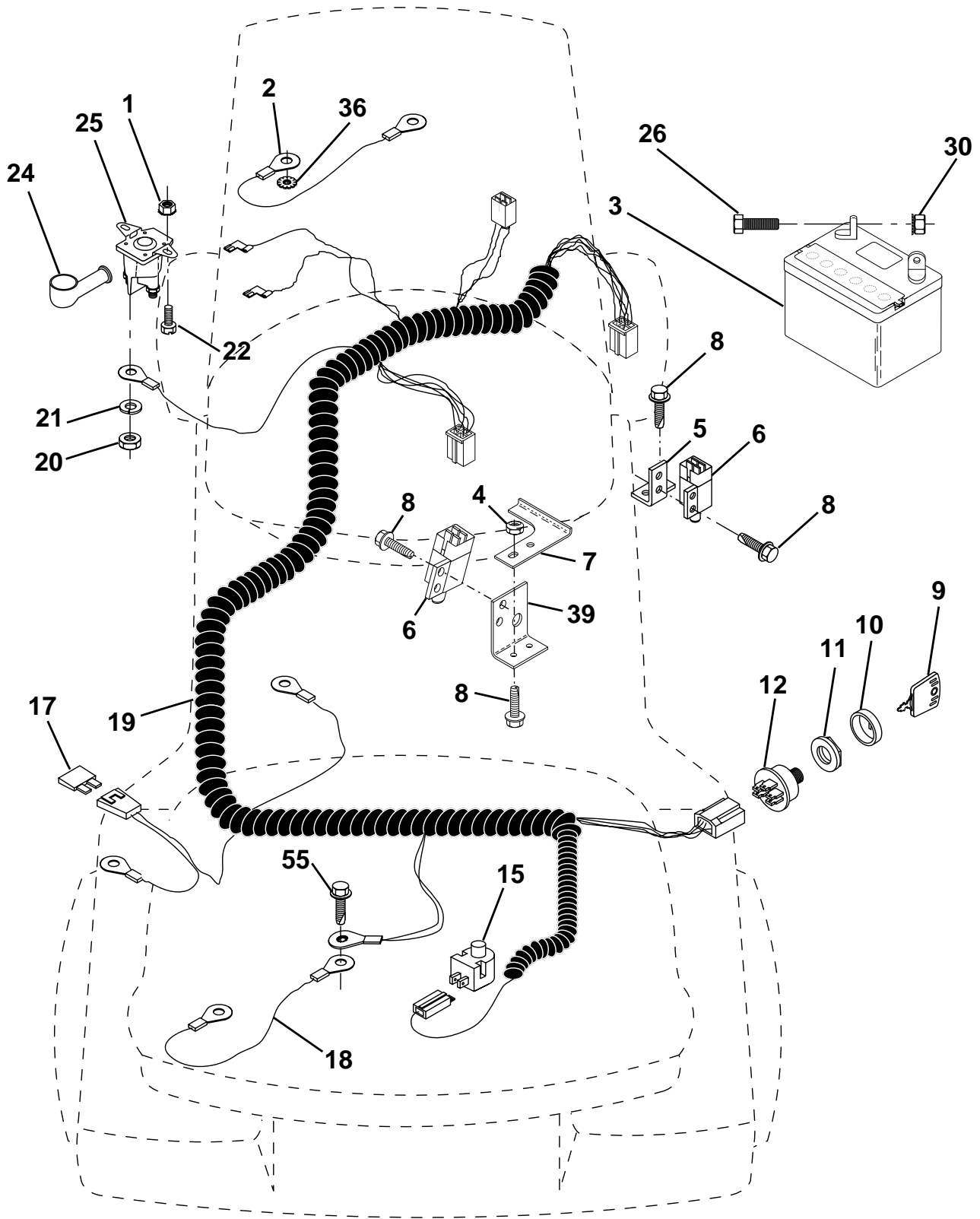
○ ——— ○
REMOVABLE CONNECTIONS

WIRING INSULATED CLIPS
NOTE: IF WIRING INSULATED CLIPS WERE REMOVED FOR SERVICING OF UNIT, THEY SHOULD BE REPLACED TO PROPERLY SECURE YOUR WIRING.

REPAIR PARTS

TRACTOR - - MODEL NUMBER LR122 (954140105B)

ELECTRICAL



REPAIR PARTS

TRACTOR - - MODEL NUMBER LR122 (954140105B)

ELECTRICAL

KEY NO.	PART NO.	DESCRIPTION
1	873640400	Nut, Hex Keps 1/4-20
2	532108423	Assembly, Cable
3	532144924	Battery
4	532069180	Nut, Lock #10-24 UNC
5	532108236	Bracket, Switch
6	532109553	Switch, Interlock (4-terminal)
7	532146374	Keeper Actuator
8	817021008	Screw, Hex Hd. Tap #10-24 x 1/2
9	532140402	Key, Steel Delta
10	532141226	Cover, Key Ignition
11	532140400	Nut, Ignition
12	532163088	Switch, Ignition
15	532121305	Switch, Plunger
17	532166180	Fuse
18	532128353	Assembly, Cable
19	532170206	Harness, Ignition
20	873350400	Nut, Hex Jam 1/4-20
21	810090400	Washer, Lock 1/4
22	871110408	Bolt, Fin. Hex 1/4-20 UNC x 1/2 Gr. 5
24	532131563	Cover, Terminal
25	532145673	Solenoid
26	532171017	Bolt, Hex Hd. 1/4-20 UNC x 3/4
30	532171018	Nut, Keps Hex 1/4-20 UNC
36	811150400	Washer, Lock Inter. Tooth 1/4
39	532141735	Bracket, Switch Clutch
55	817490508	Screw Thdrol 5/16-18 x 1/2

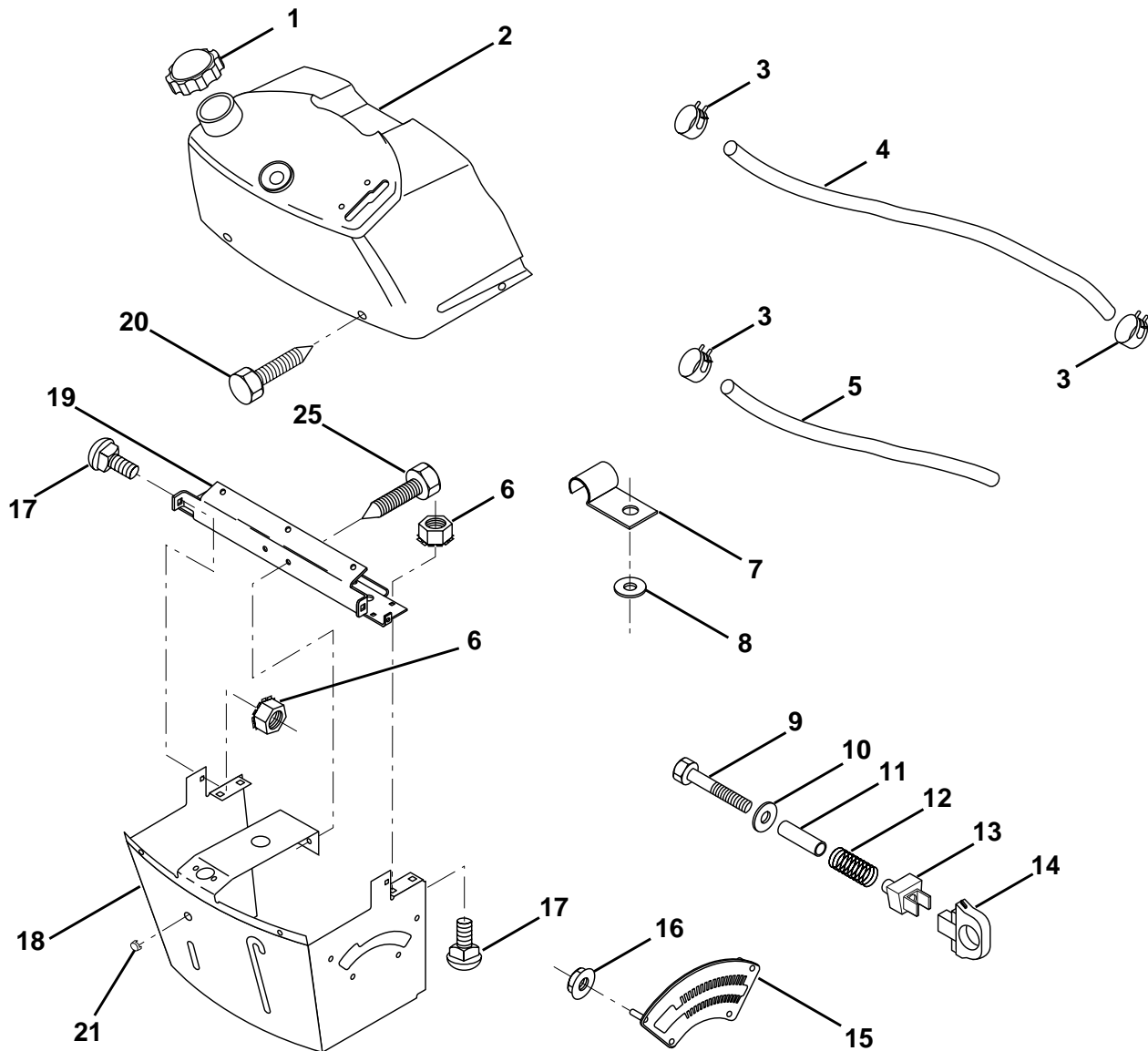
NOTE: All component dimensions given in U.S. inches
1 inch = 25.4 mm

HARDWARE SHOWN LARGER FOR EASIER IDENTIFICATION

REPAIR PARTS

TRACTOR - - MODEL NUMBER LR122 (954140105B)

DASH



KEY NO.	PART NO.	DESCRIPTION	KEY NO.	PART NO.	DESCRIPTION
1	532142187	Cap, Fuel	13	532126450	Clip, Height Adjustment
2	532138394	Assembly, Dash & Fuel Tank	14	532126115	Knob, Height Stop
3	532123487	Clamp, Hose	15	532122023	Adjustment, Quadrant Height
4	532008544	Line, Fuel	16	532124346	Nut, Self-Threading 3/16-18
5	532008548	Line, Fuel	17	872110404	Bolt, Carriage 1/4-20 x 1/2 Gr. 5
6	873640400	Nut, Hex, Keps 1/4-20	18	532130745	Support Assembly, Dash
7	532124996	Clip, Fuel Line	19	532134744	Brace, Cross
8	819091216	Washer 9/32 x 3/4 x 16 Ga.	20	817060408	Screw, Self-Tapping 1/4-20 x 1/2
9	874760428	Bolt, Hex, Fin 1/4-20 x 1-3/4	21	532134014	Plug Dome Black
10	819091413	Washer 11/32 x 11/16 x 16 Ga.	25	817720410	Screw Hex Thd Cut 1/4-20 x 5/8
11	532121249	Spacer, Split			
12	532003720	Spring			

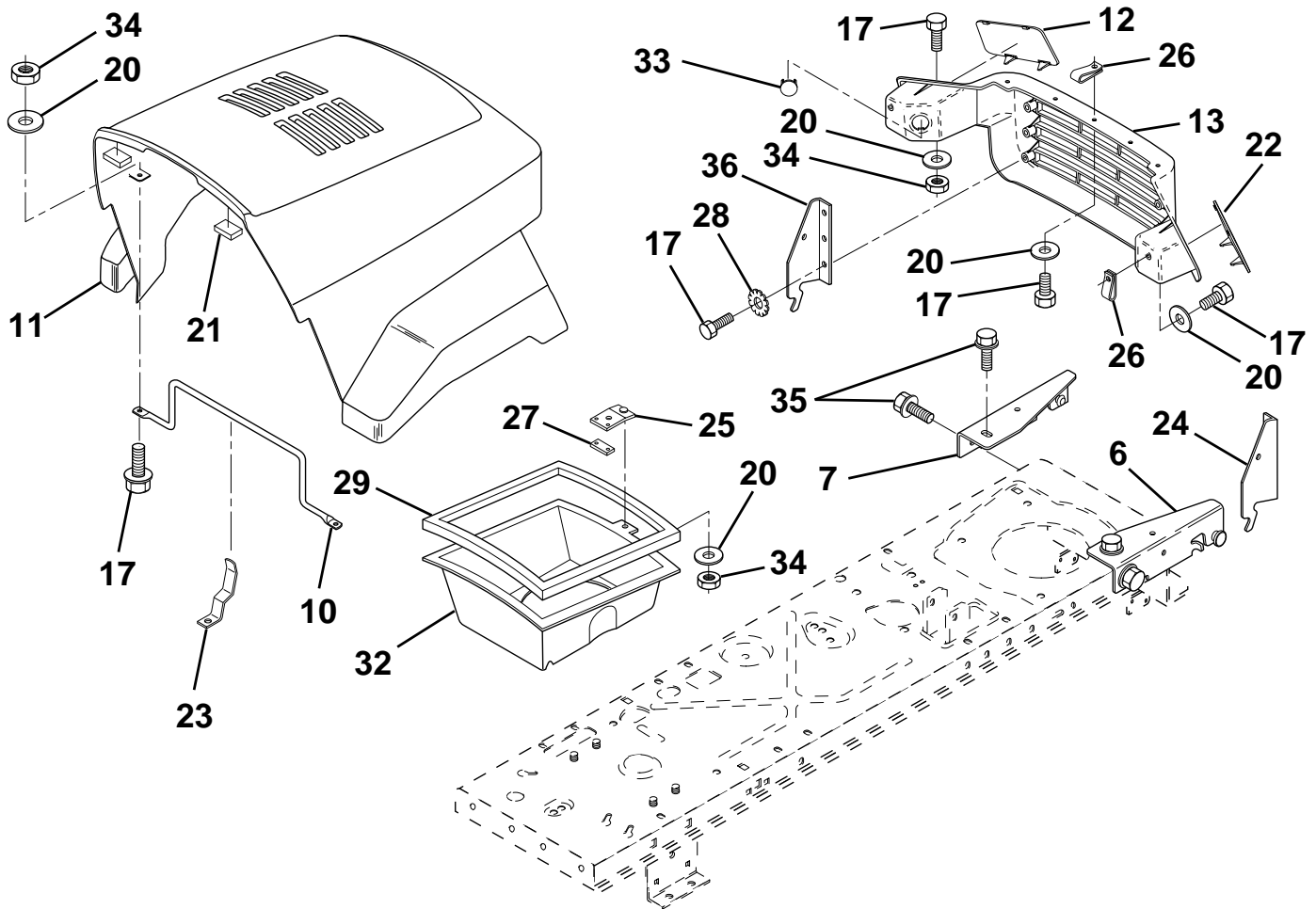
NOTE: All component dimensions given in U.S. inches
1 inch = 25.4 mm

HARDWARE SHOWN LARGER FOR EASIER IDENTIFICATION

REPAIR PARTS

TRACTOR - - MODEL NUMBER LR122 (954140105B)

HOOD



KEY NO.	PART NO.	DESCRIPTION
6	532140051	Bracket Asm. Pivot Hood RH
7	532140050	Bracket Asm. Pivot Hood LH
10	532130850	Brace Hood
11	532165791	Hood
12	532165794	Lens LH
13	532165792	Grille
17	874780410	Bolt Fin Hex 1/4-20 x 5/8
20	819091016	Washer, Flat 1/4
21	532126938	Bumper Hood
22	532165793	Lens RH
23	532139969	Latch Hood
24	532142873	Bracket Pivot Hood RH

KEY NO.	PART NO.	DESCRIPTION
25	532131028	Clip Tinnerman
26	532052921	Clip Tinnerman
27	532131037	Clip Asm Duct
28	811050400	Washer Lock Ext. Tooth
29	532120537	Strip Foam
32	532123840	Duct, Air Hood
33	532131319	Plug Socket Light
34	873680400	Nut, Crownlock 1/4-20
35	817490512	Screw Thdrol 5/16-28 x 3/4
36	532128445	Bracket Pivot Hood LH

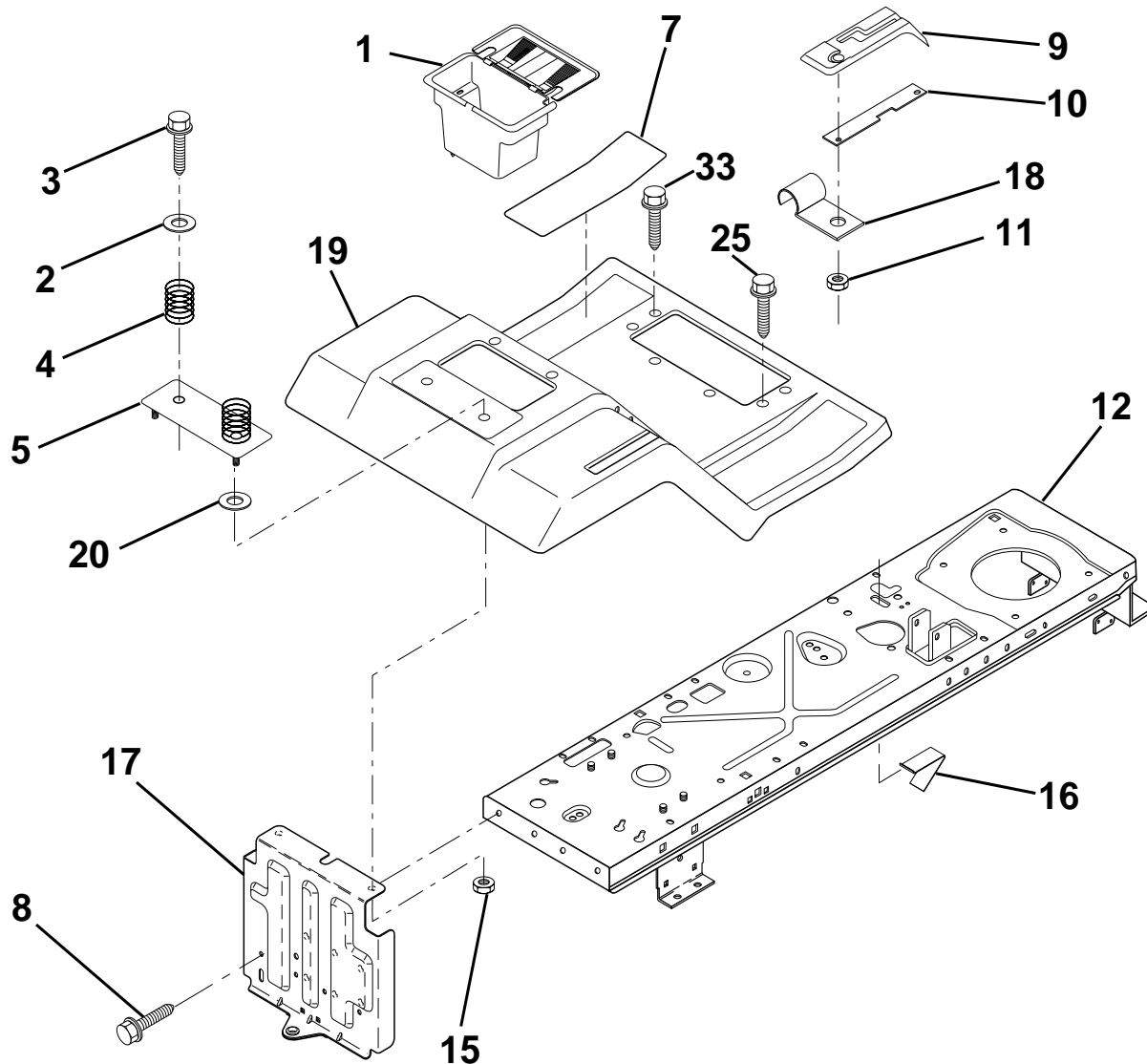
NOTE: All component dimensions given in U.S. inches
1 inch = 25.4 mm

HARDWARE SHOWN LARGER FOR EASIER IDENTIFICATION

REPAIR PARTS

TRACTOR - - MODEL NUMBER LR122 (954140105B)

FENDER / CHASSIS



KEY NO.	PART NO.	DESCRIPTION
1	532156417	Case, Battery
2	819132012	Washer 13/32 x 1-1/4 x 12 Ga.
3	817490612	Screw, Hex Wsh. Thrdol. 3/8-16 x 3/4
4	532124181	Spring, Compression, Seat
5	532125142	Plate, Asm. Battery
7	532124144	Pad, Footrest
8	817060512	Screw, Hex Wsh Thdrol. 5/16-18 x 3/4
9	532167724	Console, Shift Control
10	532139783	Bar, Shift Lock
11	532124346	Nut, Self-Thrd., Wsh. Head 3/16

KEY NO.	PART NO.	DESCRIPTION
12	532145190	Assembly, Frame
15	873640400	Nut, Keps Hex 1/4-20 UNC
16	532141736	Switch Actuator
17	532140782	Drawbar
18	532126470	Clip, Insulated
19	532141393	Fender/Footrest
20	819091413	Washer 9/32 x 7/8 x 13 Ga.
25	817060514	Screw Tapping 5/16-18
33	817190516	Screw Hex Wsh Thdroll 5/16-18 x 1
34	532170165	Bolt Shoulder 5/16-18 TT

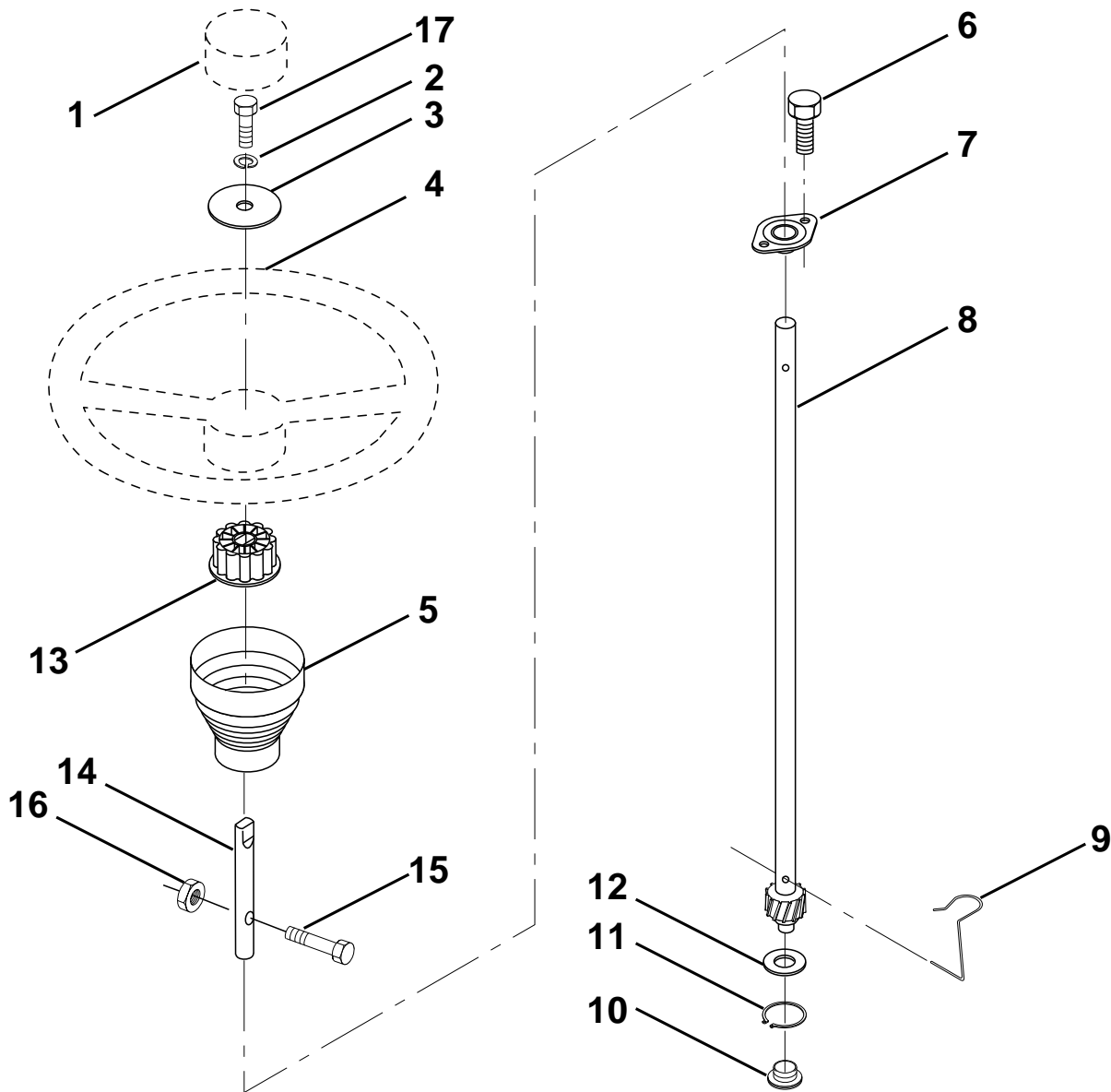
NOTE: All component dimensions given in U.S. inches
1 inch = 25.4 mm

HARDWARE SHOWN LARGER FOR EASIER IDENTIFICATION

REPAIR PARTS

TRACTOR - - MODEL NUMBER LR122 (954140105B)

STEERING WHEEL



KEY NO.	PART NO.	DESCRIPTION
1	532124416	Insert, Wheel, Steering
2	532171029	Washer, Lock hvy HLCL SPR 3/8
3	532171027	Washer 12/32 x 2-3/8 x 8 Ga.
4	532124415	Wheel, Steering
5	532127396	Sleeve, Steering
6	532152927	Screw, TT #10-32.5.3/8 flange
7	532155104	Bushing, Steering
8	532147391	Shaft, Steering
9	532124210	Clip, Steering
10	532123438	Bushing, Lower, Steering

KEY NO.	PART NO.	DESCRIPTION
11	812000045	Ring, Retaining
12	819211616	Washer 21/32 x 1 x 16 Ga.
13	532100711	Adaptor, Wheel, Steering
14	532171024	Extension shaft steering
15	532171025	Bolt Fin Hex 5/16-18 UNC x 1-1/4
16	532171026	Nut Lock Hex W/Ins. 5/16-18 UNC
17	532171031	Bolt fin Hex 3/8-16 UNC x 1. Gr. 5

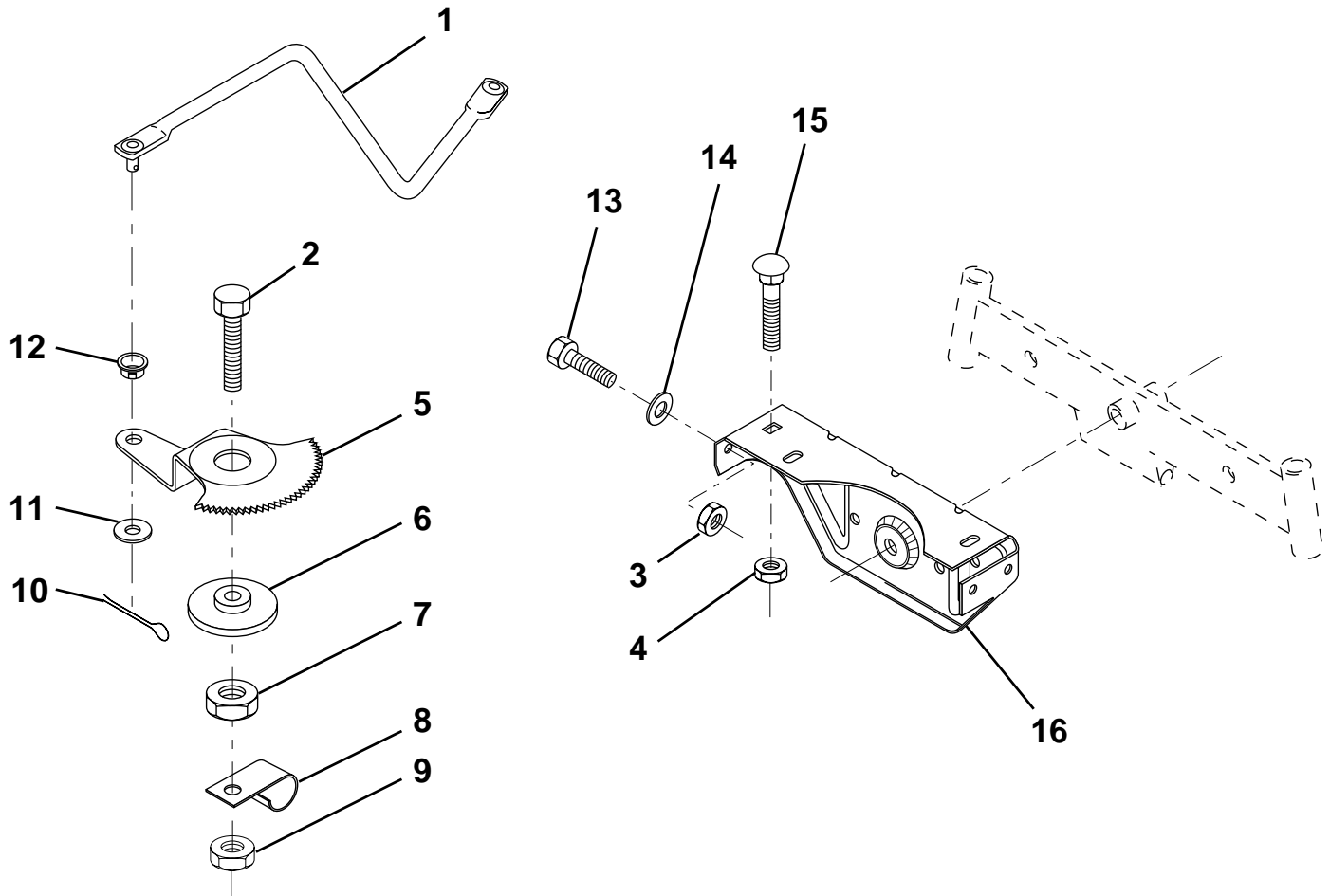
NOTE: All component dimensions given in U.S. inches
1 inch = 25.4 mm

HARDWARE SHOWN LARGER FOR EASIER IDENTIFICATION

REPAIR PARTS

TRACTOR - - MODEL NUMBER LR122 (954140105B)

SECTOR GEAR / AXLE SUPPORT



KEY NO.	PART NO.	DESCRIPTION
1	532132566	Link, Drag
2	874780828	Bolt, Fin Hex 1/2-13 x 1-3/4
3	873680500	Nut, Crownlock 5/16-18
4	873680600	Nut, Crownlock 3/8-16 UNC
5	532121926	Gear, Sector
6	532121927	Bushing
7	873030800	Nut, Heavy Hex Top Lock 1/2-13 UNC
8	532126472	Clip, Insulated

KEY NO.	PART NO.	DESCRIPTION
9	873680800	Nut, Crownlock 3/8-16
10	876020412	Pin, Cotter 1/8 x 3/4
11	819131316	Washer, 13/32 x 13/16 x 16 Ga.
12	532126847	Bushing
13	874760512	Bolt, Hex Hd. 5/16-18 UNC x 3/4
14	819111416	Washer 11/32 x 7/8 x 16 Ga.
15	872110606	Bolt, Carriage 3/8-16 UNC x 3/4
16	532137096	Support, Front Axle

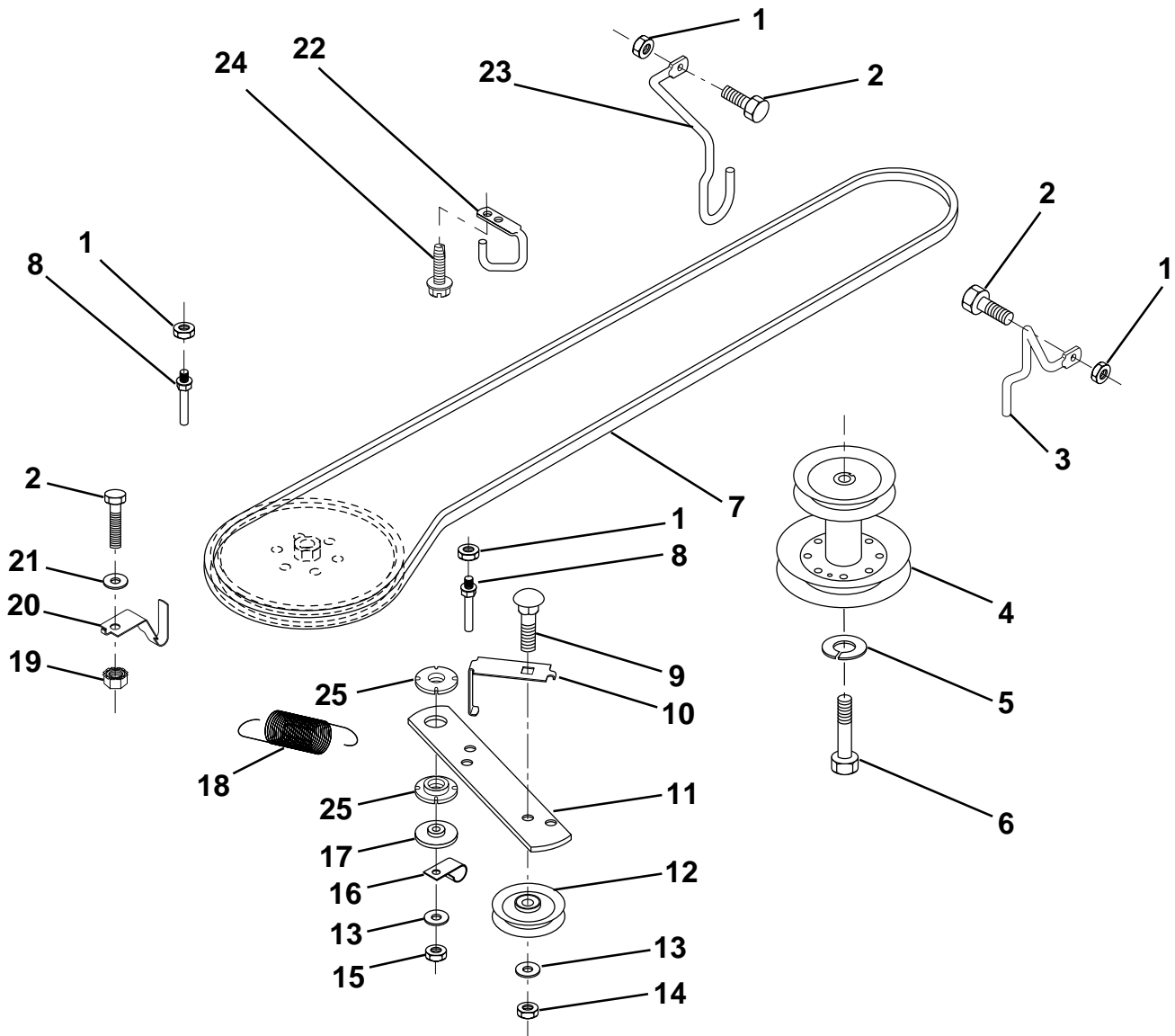
NOTE: All component dimensions given in U.S. inches
1 inch = 25.4 mm

HARDWARE SHOWN LARGER FOR EASIER IDENTIFICATION

REPAIR PARTS

TRACTOR - - MODEL NUMBER LR122 (954140105B)

GROUND DRIVE



KEY NO.	PART NO.	DESCRIPTION	KEY NO.	PART NO.	DESCRIPTION
1	873680500	Nut, Crownlock 5/16-18	15	873680600	Nut, Crownlock 3/8-16 UNC
2	874760512	Bolt, Hex Hd 5/16-18 UNC x 3/4	16	532126471	Clip, Insulated
3	532141342	Keeper, Mower Drive, R. H.	17	532150932	Spacer, Retainer
4	532138029	Pulley, Engine	18	532131459	Spring Extension
5	810040700	Washer, Lock 7/16	19	873510500	Nut, Keps 5/16-18 UNC
6	871170744	Bolt Hex 7/16-20 Gr. 5	20	532139919	Keeper, T/A Ground Drive Belt
7	532126520	Traction, V-Belt Drive	21	819111016	Washer 11/32 x 5/8 x 16 Ga.
8	532123405	Keeper, T/A Ground Drive Belt	22	532123404	Keeper, Frame Ground Drive Belt
9	872140612	Bolt, Carr. 3/8-16 UNC x 1-1/2	23	532140916	Keeper, Mower Drive, L. H.
10	532123396	Keeper, Belt Ground Drive Idler	24	817720408	Screw, Thd. Cut 1/4-20 x 1/2
11	532150926	Arm, Ground Drive Clutch	25	532150935	Bushing Nylon Collored
12	532123674	Idler, Flat			
13	819131316	Washer 13/32 x 13/16 x 16 Ga.			
14	873930600	Nut, Centerlock 3/8-16 UNC			

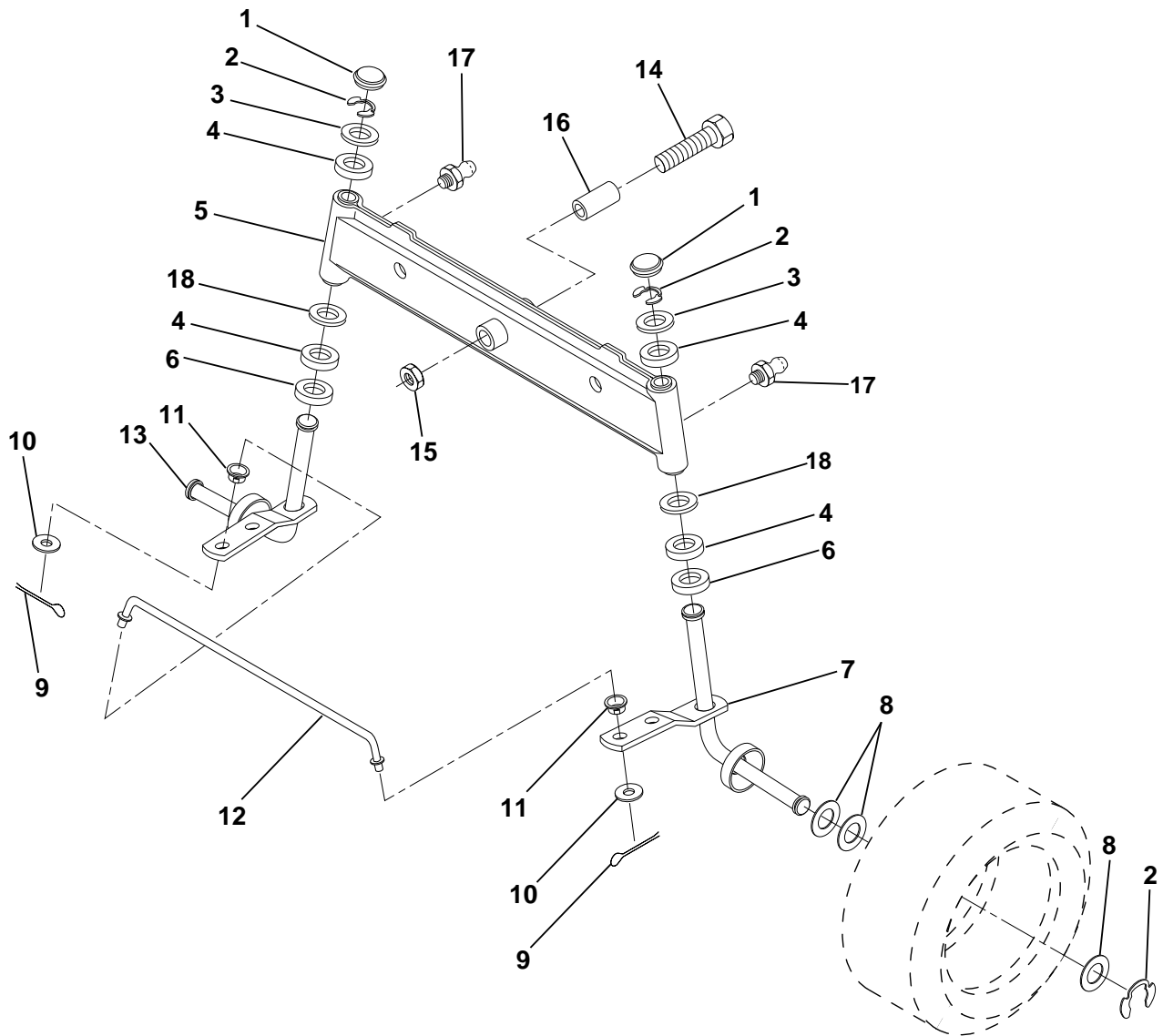
NOTE: All component dimensions given in U.S. inches
1 inch = 25.4 mm

HARDWARE SHOWN LARGER FOR EASIER IDENTIFICATION

REPAIR PARTS

TRACTOR - - MODEL NUMBER LR122 (954140105B)

FRONT AXLE



KEY NO.	PART NO.	DESCRIPTION
1	532121232	Cap, Spindle
2	812000029	Ring, Clip
3	532121748	Washer 25/32 x 1-5/8 x 16 Ga.
4	532124937	Nyliner
5	532142033	Axle, Front
6	532124931	Bearing, Thrust
7	532161826	Spindle, R.H. Asm.
8	532171038	Washer 25/32 x 1-1/4 x 16 Ga.
9	876020412	Pin, Cotter 1/8 x 3/4
10	819131316	Washer 13/32 x 13/16 x 16 Ga.

KEY NO.	PART NO.	DESCRIPTION
11	532126847	Bushing
12	532130465	Rod, Tie
13	532161827	Spindle, L.H. Asm.
14	874011056	Bolt Hex 5/1-11 x 3-1/2
15	873901000	Nut, Lock Flange 5/8-11
16	532110438	Spacer, Bearing Axle
17	532124836	Fitting, Grease
18	819272016	Washer 27/32 x 1-1/4 x 16 Ga.

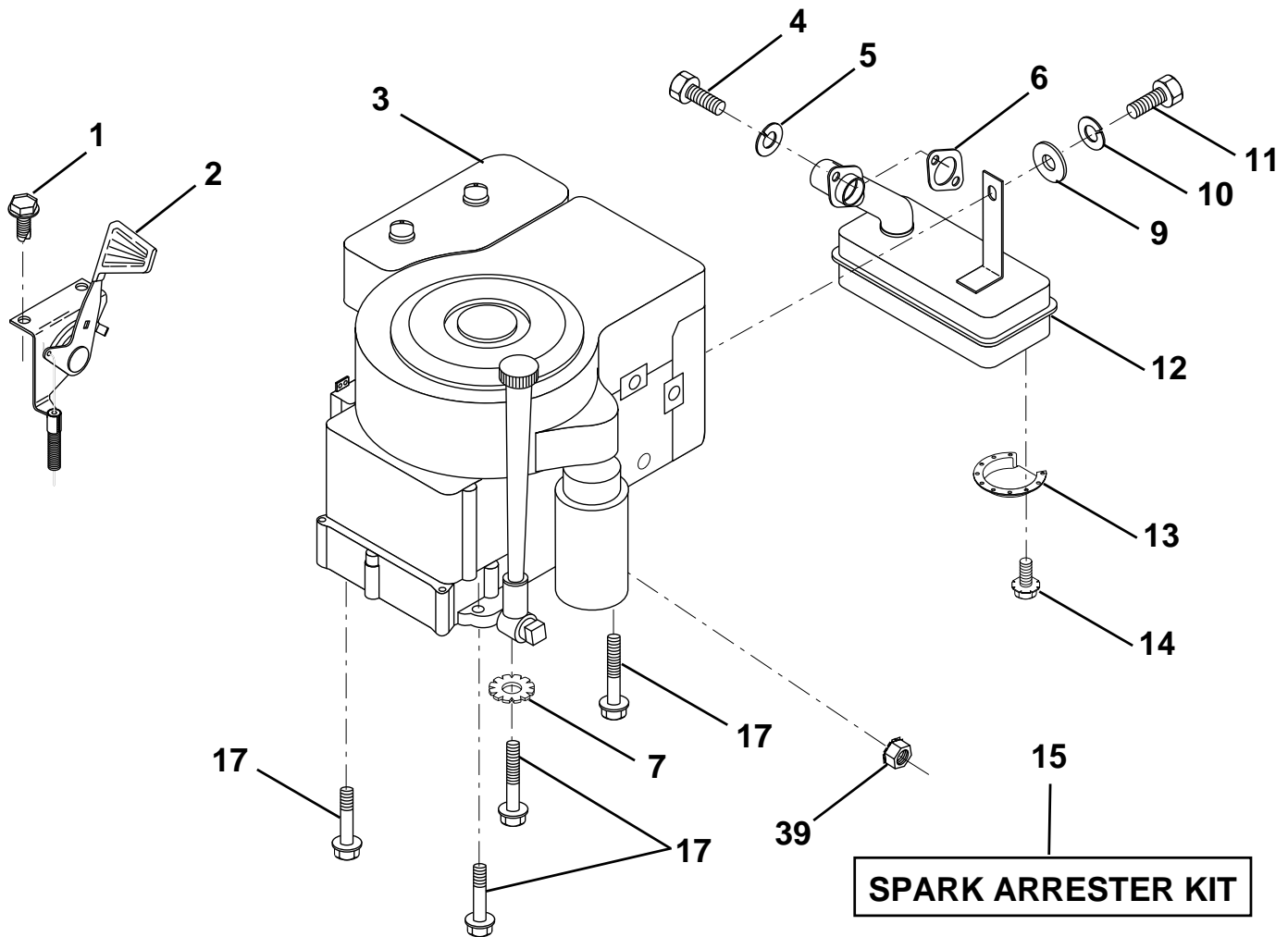
NOTE: All component dimensions given in U.S. inches
1 inch = 25.4 mm

HARDWARE SHOWN LARGER FOR EASIER IDENTIFICATION

REPAIR PARTS

TRACTOR - - MODEL NUMBER LR122 (954140105B)

ENGINE



KEY NO.	PART NO.	DESCRIPTION	KEY NO.	PART NO.	DESCRIPTION
1	817720410	Screw, Hex Thd. Cut 1/4-20 x 5/8	11	-----	Bolt, Hex Fin. (Order From Eng. Mfg.)
2	532132752	Control, Throttle	12	532137437	Muffler
3	-----	Engine, Briggs Model 289707 (Order Parts From Engine Manufacturer)	13	532101326	Deflector, Muffler
4	871070512	Screw, Hex, Cap 5/16-18 x 3/4	14	817030808	Screw, Spiderlock, Hex Hd 8 x 1/2
5	810040500	Washer, Lock Hvy Hcl Spring 5/16	15	532137180	Arrester, Spark (Optional equipment)
6	532165291	Gasket, Exhaust	17	817490624	Screw, Hex Washer Head, Thdrol. 3/ 8-16 x 1-1/2
7	811050600	Washer Lock Ext. Tooth 3/8	39	532128861	Nut, Flange 1/4-20
9	819101216	Washer 5/16 x 3/4 x 16			
10	810040400	Washer, Lock Hvy Hlcl Spring 1/4			

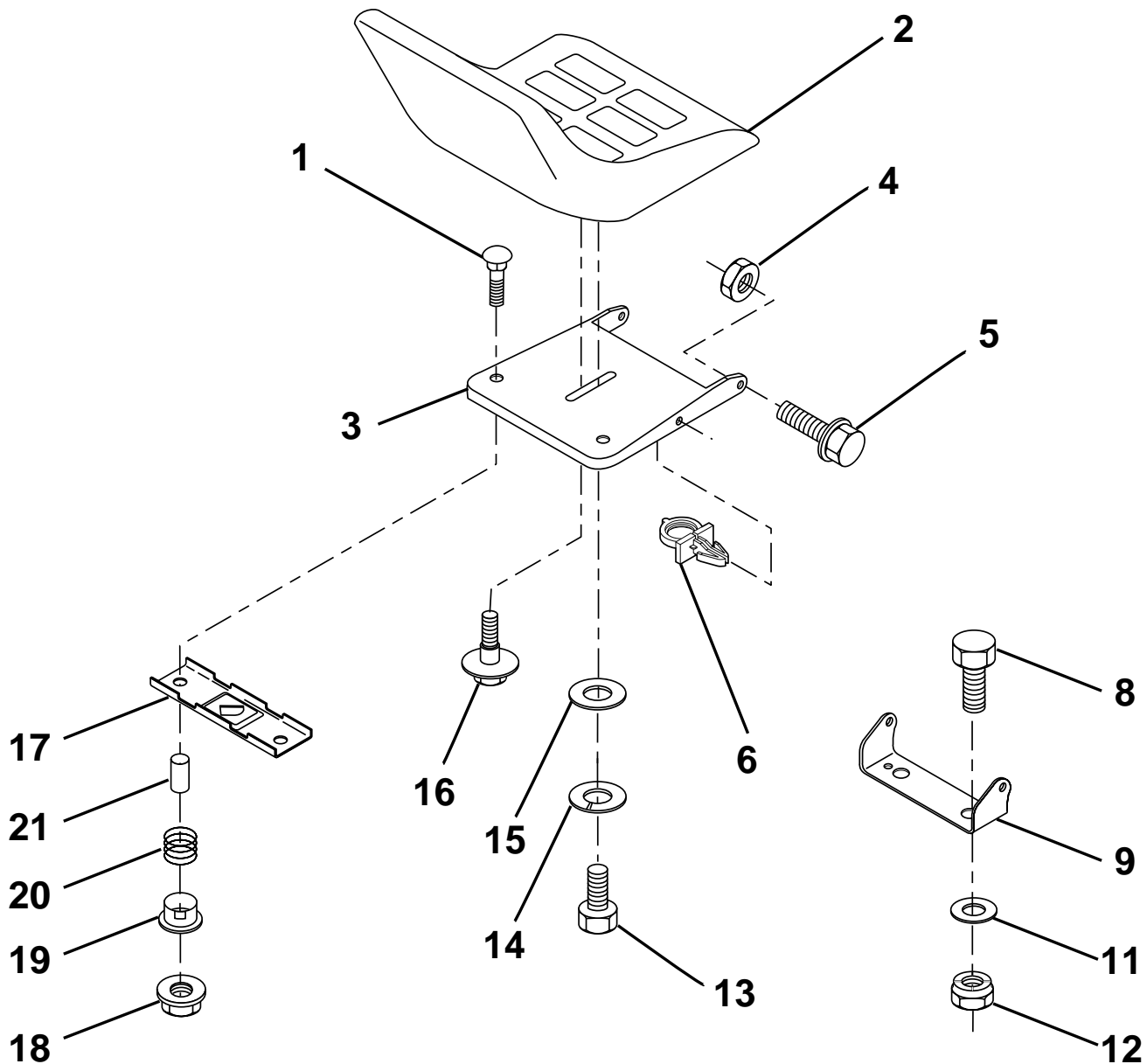
NOTE: All component dimensions given in U.S. inches
1 inch = 25.4 mm

HARDWARE SHOWN LARGER FOR EASIER IDENTIFICATION

REPAIR PARTS

TRACTOR - - MODEL NUMBER LR122 (954140105B)

SEAT



KEY NO.	PART NO.	DESCRIPTION
1	532171040	Bolt, Carriage 1/4-20 x 1-1/2
2	532140838	Seat
3	532155925	Pan, Seat
4	873800500	Locknut, Hex w/Ins 5/16-18
5	532153236	Bolt, Shoulder 5/16-18 UNC
6	532145006	Clip, Push-in
8	874760616	Bolt, Fin Hex 3/8-16 UNC x 1
9	532140551	Bracket, Pivot Seat
11	819133210	Washer 12/32 x 2 x 10 Ga.
12	873800600	Nut, Lock Hex w/Wsh 3/8-16
13	874780814	Bolt Hex 1/2-13 x 7/8

KEY NO.	PART NO.	DESCRIPTION
14	810040800	Washer Lock Hvy. Hlcl Spring 1/2
15	819171912	Washer, 17/32 x 1-3/16 x 12 Ga.
16	532127018	Bolt, Shoulder
17	532121246	Bracket, Switch, Mounting
18	532171041	Nut, Hex Large Flange Lock
19	532121248	Bushing, Snap
20	532121250	Spring, Compression
21	532134300	Spacer, Split 28 Id. x .88 Lg.

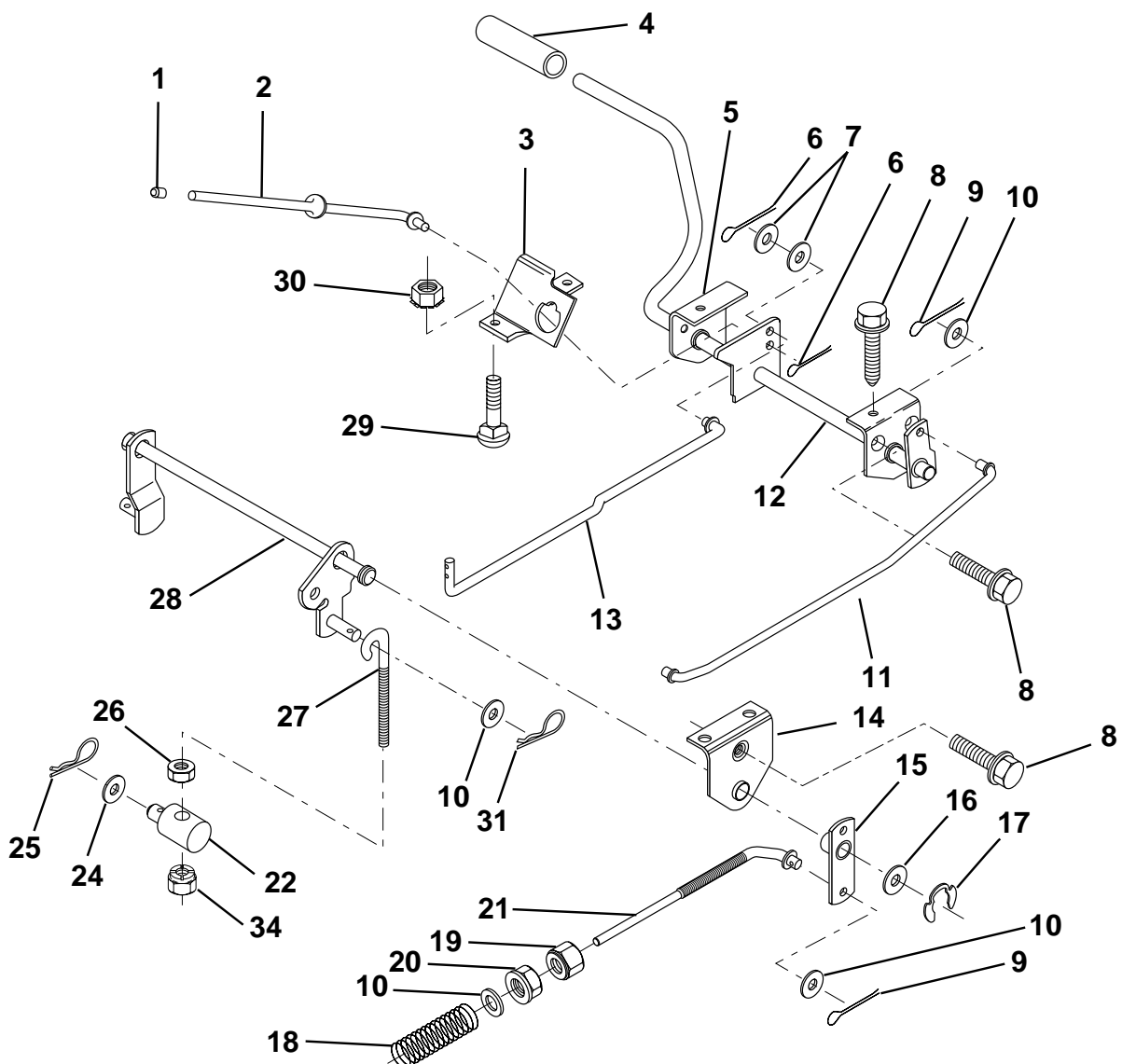
NOTE: All component dimensions given in U.S. inches
1 inch = 25.4 mm

HARDWARE SHOWN LARGER FOR EASIER IDENTIFICATION

REPAIR PARTS

TRACTOR - - MODEL NUMBER LR122 (954140105B)

BRAKE / REAR MOWER LIFT ASSEMBLY



KEY NO.	PART NO.	DESCRIPTION	KEY NO.	PART NO.	DESCRIPTION
1	532071673	Cap, Plunger	17	812000034	Ring, Klip
2	532123436	Rod, Parking Brake	18	532151332	Spring, Brake Rod
3	532123437	Bracket, Parking Brake	19	873350600	Nut, Hex, Jam 3/8-16 UNC
4	532008156	Cover, Pedal	20	873800600	Nut, Lock, hex. w/Ins. 3/8-16 INC
5	532122504	Bracket, Clutch/Brake Pedal, L.H.	21	532131460	Rod, Rear Brake
6	876020312	Pin, Cotter 3/32 x 3/4	22	532144585	Trunnion, Lift
7	819131016	Washer 13/32 x 5/8 x 16 Ga.	24	819132012	Washer 13/32 x 1-1/4 x 12 Ga.
8	817490508	Screw, Hex, Thd. Roll. 5/16-18 x 1/2	25	532124961	Spring, Retainer
9	876020412	Pin, Cotter 1/8 x 3/4	26	873930600	Nut, Centerlock 3/8-16 UNC
10	819131316	Washer 13/32 x 13/16 x 16 Ga.	27	532127369	Link, Threaded
11	532123543	Rod, Brake Front	28	532140776	Assembly, Rear Mower Lift
12	532139933	Assembly, Clutch/Brake Pedal	29	872110506	Bolt, Carriage 5/16-18 UNC x 3/4
13	532123394	Rod, Clutch	30	873510500	Nut, Keps 5/16-16 UNC
14	532121978	Bracket, Lift, Shaft	31	532124660	Retainer Spring
15	532133332	Assembly, Brake, Pivot, Arm	34	873680600	Nut, Crownlock 3/8-16 UNC
16	819251816	Washer 25/32 x 1-1/8 x 16 Ga.			

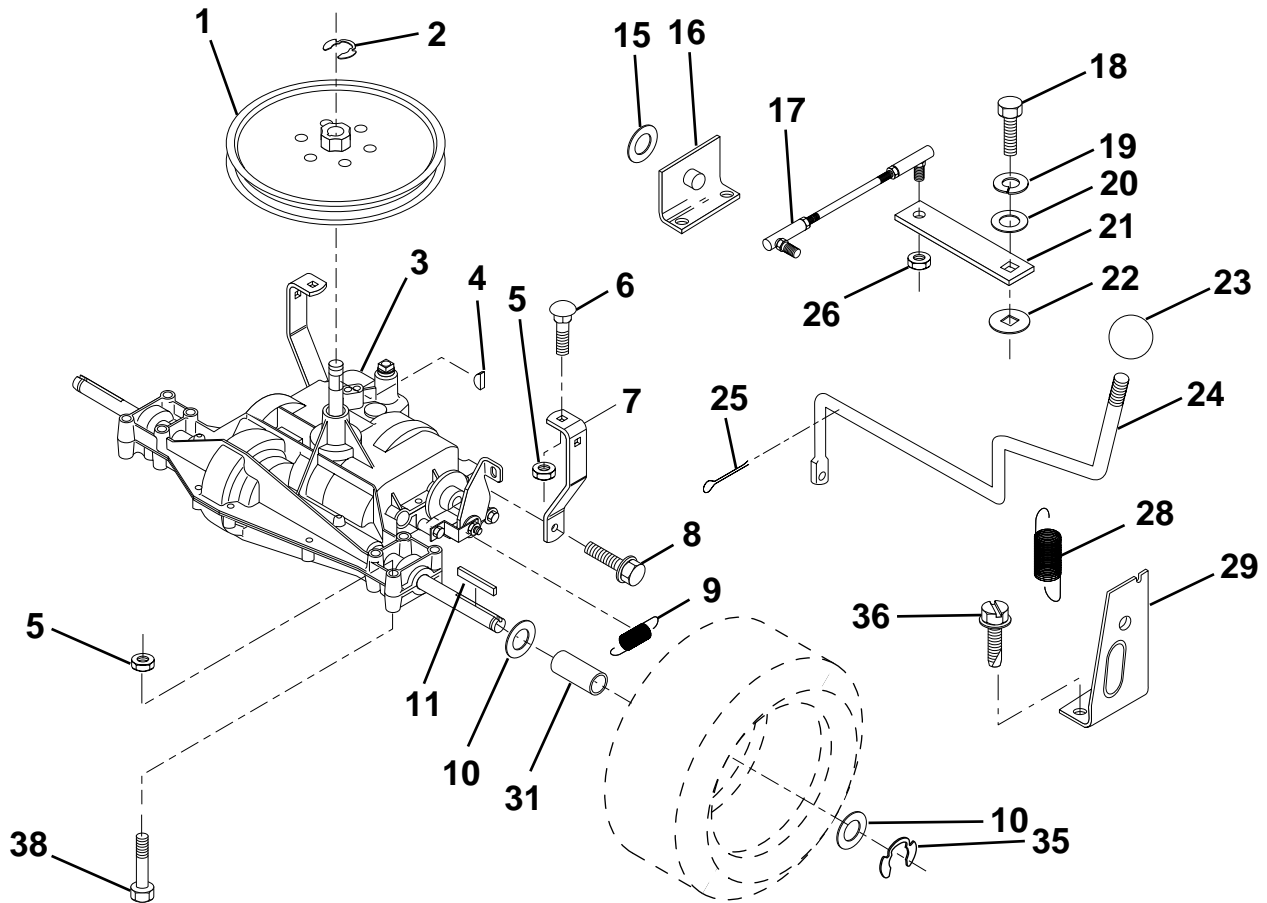
NOTE: All component dimensions given in U.S. inches
1 inch = 25.4 mm

HARDWARE SHOWN LARGER FOR EASIER IDENTIFICATION

REPAIR PARTS

TRACTOR - - MODEL NUMBER LR122 (954140105B)

TRANSAXLE



KEY NO.	PART NO.	DESCRIPTION
1	532123385	Pulley
2	812000028	Ring, Retainer
3	-----	Transaxle, Peerless Model 204-506B (Order Parts From Transaxle Manufacturer)
4	532125096	Key, Woodruff #9
5	873680500	Nut, Crownlock 5/16-18
6	872140506	Bolt, Carriage 5/16-18 UNC x 3/4
7	532123378	Strap, Torque
8	817060512	Screw 5/16-18 x 3/4
9	532146682	Spring, Brake
10	532171038	Washer 25/32 x 1-1/4 x 16 Ga.
11	532123583	Key, Square
15	819171616	Washer 17/32 x 1 x 16 Ga.
16	532124600	Support Handle Shift LH
17	532126293	Link, Shift
18	874550412	Bolt, Fin Hex 1/4-28 UNF x 3/4 Gr. 8

KEY NO.	PART NO.	DESCRIPTION
19	810040400	Washer, Lock 1/4
20	819091210	Washer 9/32 x 3/4 x 10 Ga.
21	532126292	Arm, Shift
22	532105701	Washer, Shift Plate
23	532106933	Knob, Rd 1/2-13
24	532128215	Rod Shift
25	876020416	Pin, Cotter 1/8 x 1
26	873810500	Locknut 5/16-24 UNF
28	532128085	Extension, Spring
29	532128084	Support Handle Shift RH
31	532171042	Spacer Axle
35	812000001	E-Ring
36	817720408	Screw, Thd Cut 1/4-20 x 1/2
38	874490540	Bolt Hex Flghd 5/16-18 x Gr. 5

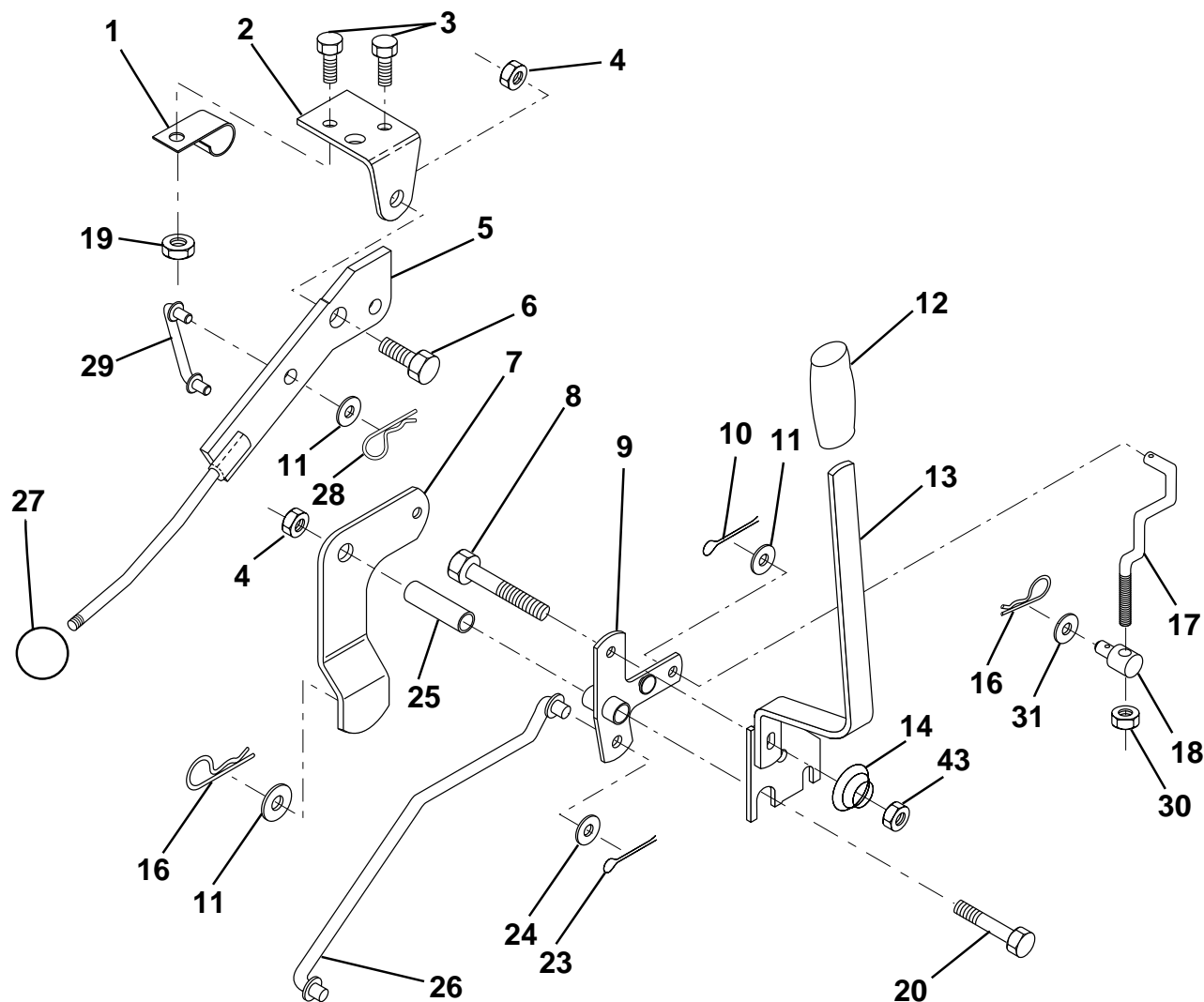
NOTE: All component dimensions given in U.S. inches
1 inch = 25.4 mm

HARDWARE SHOWN LARGER FOR EASIER IDENTIFICATION

REPAIR PARTS

TRACTOR - - MODEL NUMBER LR122 (954140105B)

MOWER LIFT LEVER



KEY NO.	PART NO.	DESCRIPTION	KEY NO.	PART NO.	DESCRIPTION
1	532126470	Clip, Insulated	17	532127359	Link, Front Lift
2	532122018	Bracket, Mower Clutch	18	532142028	Trunnion, Threaded 3/8-16
3	871110408	Bolt, Fin. Hex 1/4-20 UNC x 1/2 Gr. 5	19	873680400	Nut, Crownlock 1/4-20
4	873680600	Nut, Crownlock 3/8-16 UNC	20	874760644	Bolt, Fin. Hex 3/8-16 UNC x 2-3/4
5	532145187	Assembly, Clutch Lever	23	876020416	Pin, Cotter 1/8 x 1
6	532106451	Bolt, Shoulder	24	819171612	Washer 17/32 x 1 x 12 Ga.
7	532135371	Assembly, Mower Clutch Arm	25	532121933	Tube, Spacer
8	874760636	Bolt, Hex 3/8-16 UNC x 2-1/4	26	532141470	Rod, Mower Lift
9	532121930	Assembly, Bellcrank Lift	27	532106932	Knob
10	876020412	Pin, Cotter 1/8 x 3/4	28	532124788	Retainer Spring
11	819131316	Washer 13/32 x 13/16 x 16 Ga.	29	532131655	Link, Mower Clutch
12	532131861	Grip, Handle	30	873350600	Nut Hex Jam 3/8-16 x 1.30
13	532139352	Assembly, Lift Handle	31	819132012	Washer 13/32 x 1-1/4 x 12 Ga.
14	532123496	Spring, Compression	43	873900600	Nut Lock Flg 3/8-16
16	532124961	Retainer, Spring			

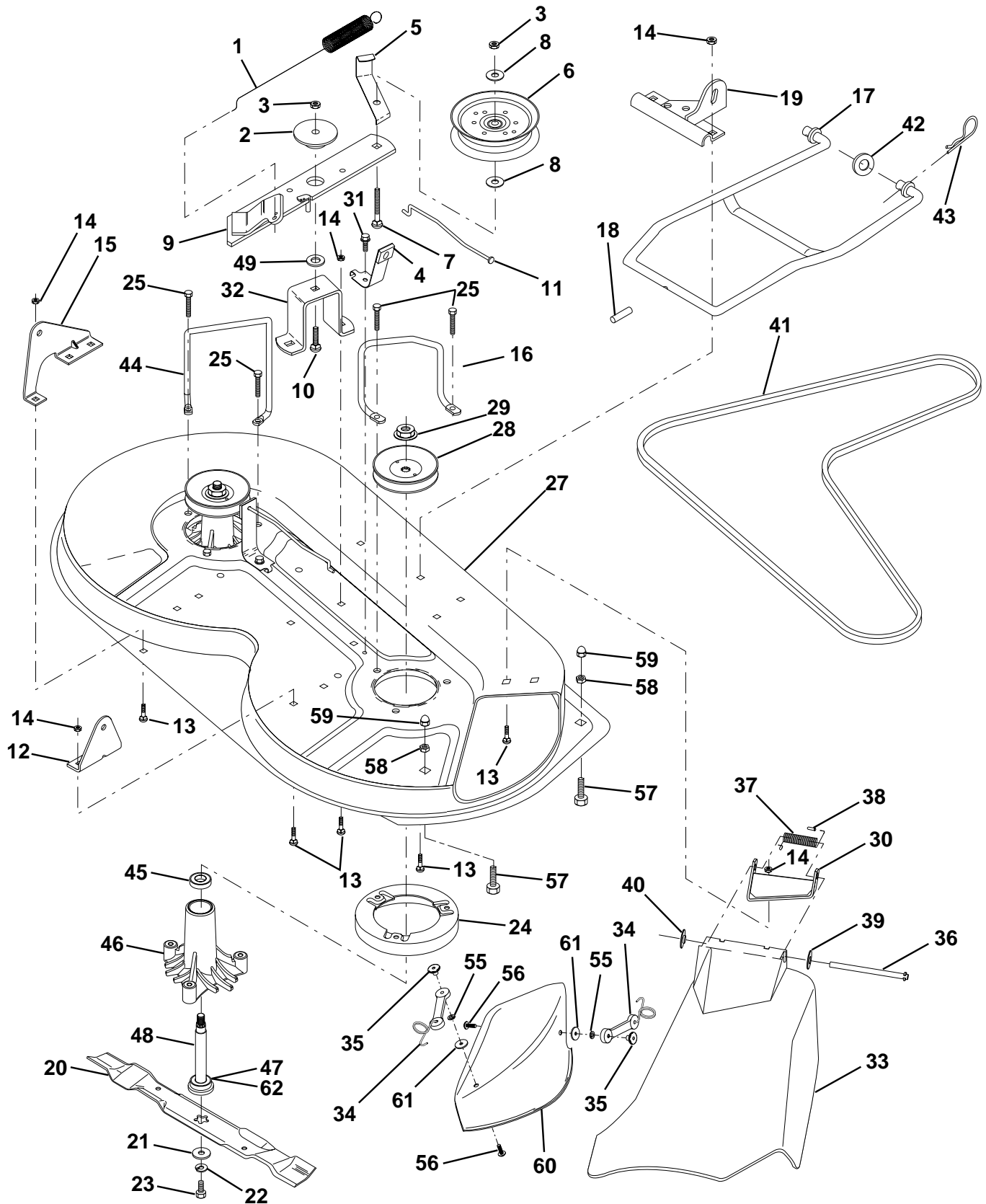
NOTE: All component dimensions given in U.S. inches
1 inch = 25.4 mm

HARDWARE SHOWN LARGER FOR EASIER IDENTIFICATION

REPAIR PARTS

TRACTOR - - MODEL NUMBER LR122 (954140105B)

MOWER DECK



REPAIR PARTS

TRACTOR - - MODEL NUMBER LR122 (954140105B)

MOWER DECK

KEY NO.	PART NO.	DESCRIPTION	KEY NO.	PART NO.	DESCRIPTION
1	532140064	Spring, Mower Clutch	33	532131560	Deflector
2	532165723	Spacer, Retainer	34	532160793	Latch Asm, Bagger/Mulch
3	873680600	Nut, Crownlock 3/8-16	35	532125004	Nut, Weld
4	532130840	Brake Asm.	36	532121980	Rod, Hinge
5	532131251	Guide, Belt Idler	37	532123713	Spring, Torsion Deflector
6	532121316	Pulley, Flat Idler	38	532105304	Cap, Sleeve
7	872110616	Bolt, Carr. 3/8-16 x 1-3/4 Gr. 5	39	819111016	Washer 11/32 x 5/8 x 16 Ga.
8	819131410	Washer 13/21 x 7/8 x 10 Ga.	40	532110452	Pushnut
9	532127744	Arm Asm., Idler Mower	41	532131264	V-Belt
10	872140610	Bolt, Carriage 3/8-16 x 1-1/4	42	819171616	Washer 11/32 x 5/8 16 Ga.
11	532130841	Rod, Brake	43	532163552	Retainer, Spring
12	532127356	Bracket, Lift R. H. Rear	44	532140608	Keeper, L. H.
13	872140506	Bolt, Carriage 5/16-18 x 3/4	45	532110485	Bearing
14	873680500	Nut, Crownlock 5/16-18	46	532128774	Housing Mandrel Vented
15	532127357	Bracket, Lift L. H. Rear	47	532129895	Bearing
16	532153298	Keeper, R. H.	48	532137645	Shaft, Mandrel (Includes Key # 47)
17	532128508	Link, Asm. Mower Stabilizer	49	532133943	Washer, Hardened
18	532128511	Pin, Drive	55	810071000	Washer, Lock
19	532127380	Bracket, Asm. Front	56	871161010	Screw
20	532140101	Blade Mulching	57	874930516	Bolt, Fin Hex 5/16-18 x 1
21	532140296	Washer, Hard	58	873800500	Nut, Lock Hex w/Ins. 5/16-18
22	810030600	Washer, Lock 3/8	59	532133841	Nut, Acorn Hex 5/16 x 18
23	532850857	Bolt 3/8-24 x 1-1/4 Gr. 8	60	532140102	Cover, Mulching
24	532140329	Stripper	61	819061216	Washer
25	532157722	Screw Thdrol Wsh Hd	62	532153390	Washer Felt
27	532156600	Deck Assembly	--	532130794	Mandrel Asm. (Includes Key No.'s 22-23, 26, 29 and 45-48)
28	532153531	Pulley, Mandrel	--	532156866	Deck, Mower Complete (Std. Deck - Order separately mulcher plate components key nos. 50-58)
29	532137266	Nut, Flangelock 9/16			
30	532136631	Bracket, Asm. Deflector			
31	817490508	Screw, Hex Wsh. Thdrol. 5/16-18 x 1/2			
32	532122051	Arm, Support Idler Mower			

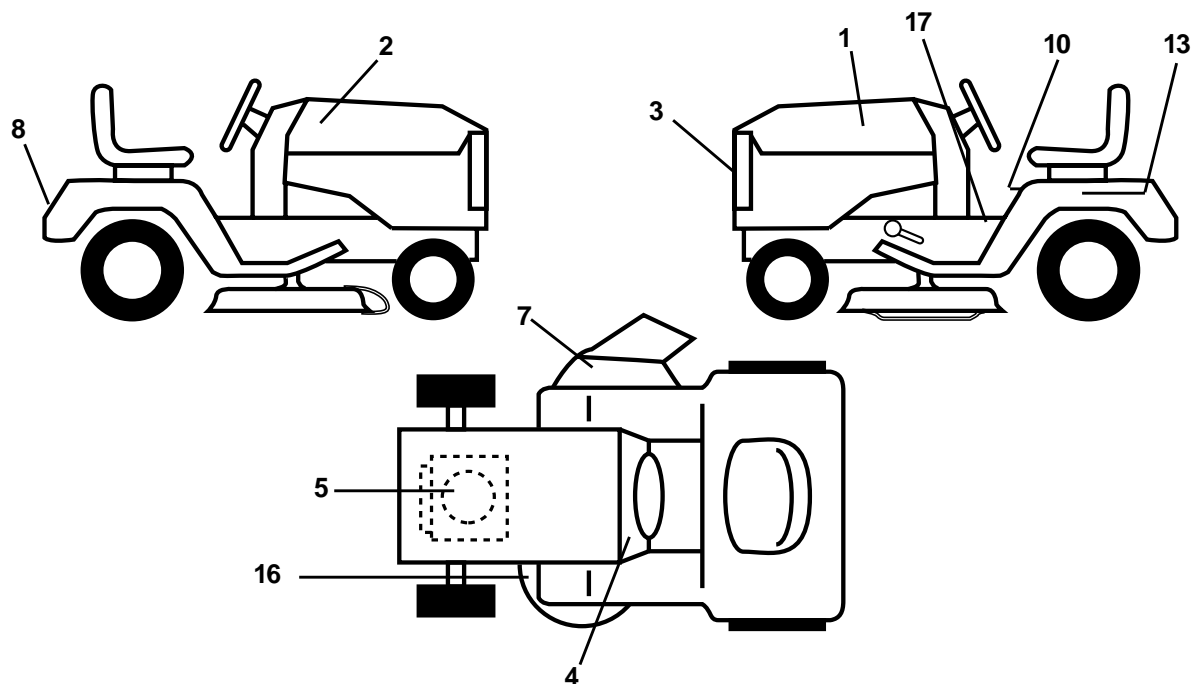
NOTE: All component dimensions given in U.S. inches
1 inch = 25.4 mm

HARDWARE SHOWN LARGER FOR EASIER IDENTIFICATION

REPAIR PARTS

TRACTOR - - MODEL NUMBER LR122 (954140105B)

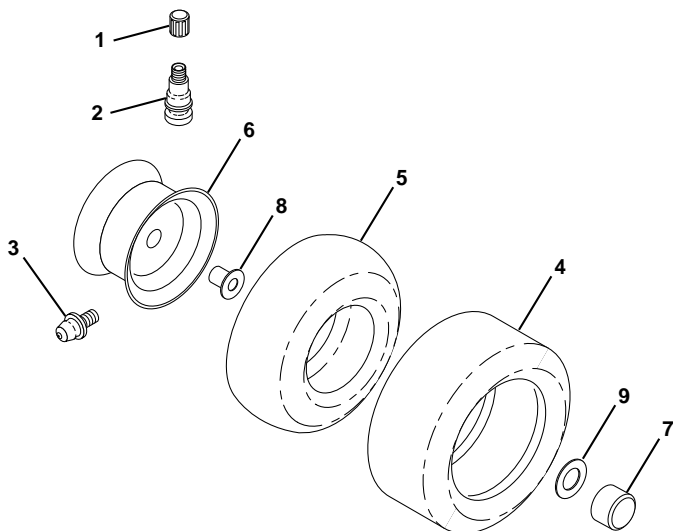
DECALS



KEY NO.	PART NO.	DESCRIPTION
1	532165750	Decal, Hood, L. H.
2	532165749	Decal, Hood, R. H.
3	532150616	Decal, Grille
4	532171458	Decal, Dash
5	532166099	Decal, Engine
7	532170563	Decal, Deck Warning
8	532150617	Decal, Logo, Fender

KEY NO.	PART NO.	DESCRIPTION
10	532157198	Decal Caution Fender
13	532145005	Decal, Caution, Battery
16	532136830	Decal, V-Belt Sch.
17	532157110	Decal, Inst. Oper.
--	532138311	Decal, Handle Lift
--	532173593	Manual, Owner's (English)
--	532173594	Manual, Owner's (French)

WHEELS & TIRES



KEY NO.	PART NO.	DESCRIPTION
1	532059192	Cap, Valve
2	532065139	Stem, Valve
3	532124957	Fitting, Grease (Front Wheels Only)
4	532123410	Tire, Front
4	532106230	Tire, Rear
5	532059904	Tube, Front (Optional Service Items Only)
5	532008134	Tube, Rear (Optional Service Items Only)
6	532142039	Rim, Front
6	532141652	Rim, Rear
7	532104757	Cap Axle
8	532124959	Bearing Flange
9	532171039	Washer 25/32 x 1-5/8 x 16 Ga.
--	532144334	Sealant, Tire (10 oz. Tube)

NOTE: All component dimensions given in U.S. inches
1 inch = 25.4 mm