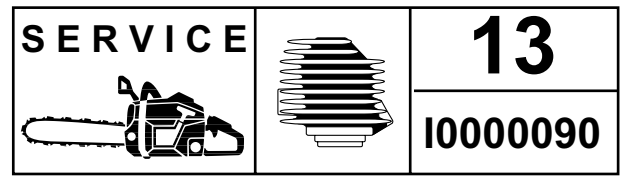


For Husqvarna Parts Call 606-678-9623 or 606-561-4983



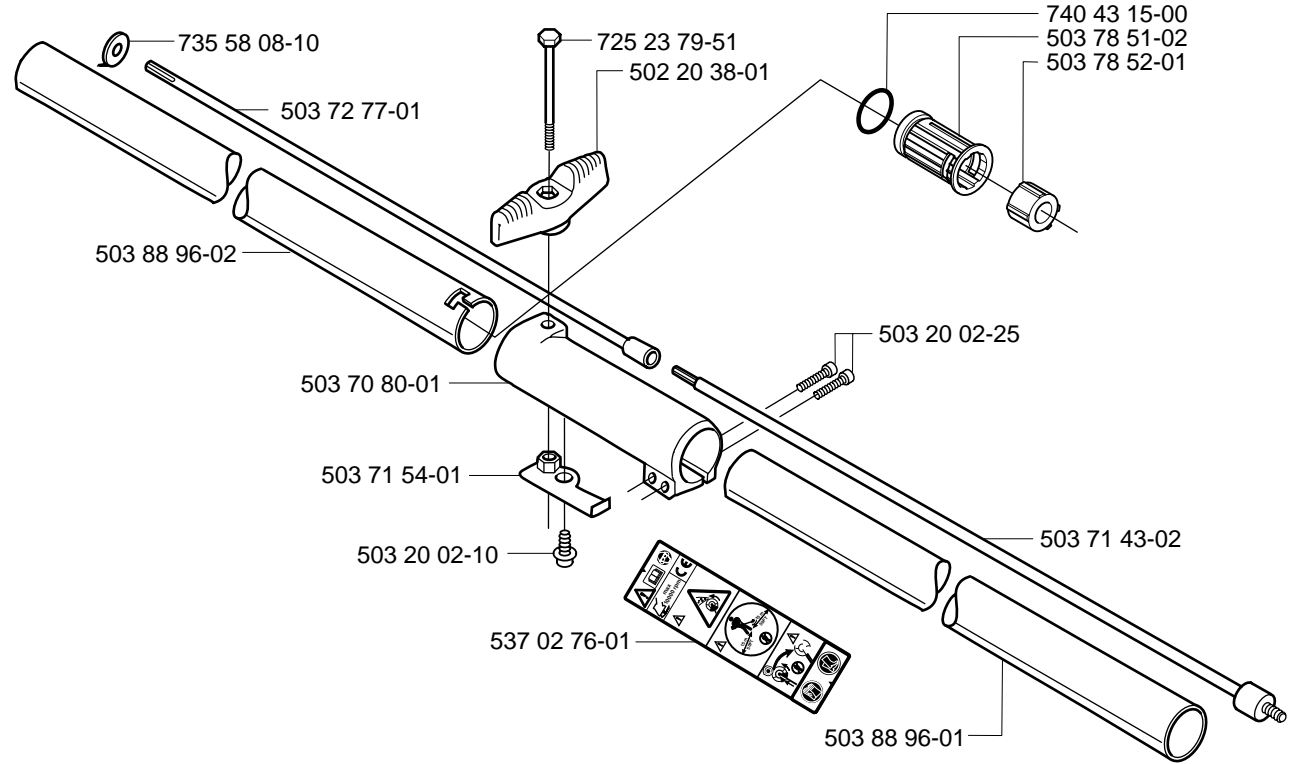
IPL, 232R, RD, RJ, L, 235R, 240RJ, 2000-10, 106 26 45-61

232R, RD, RJ, L, 235R, 240RJ

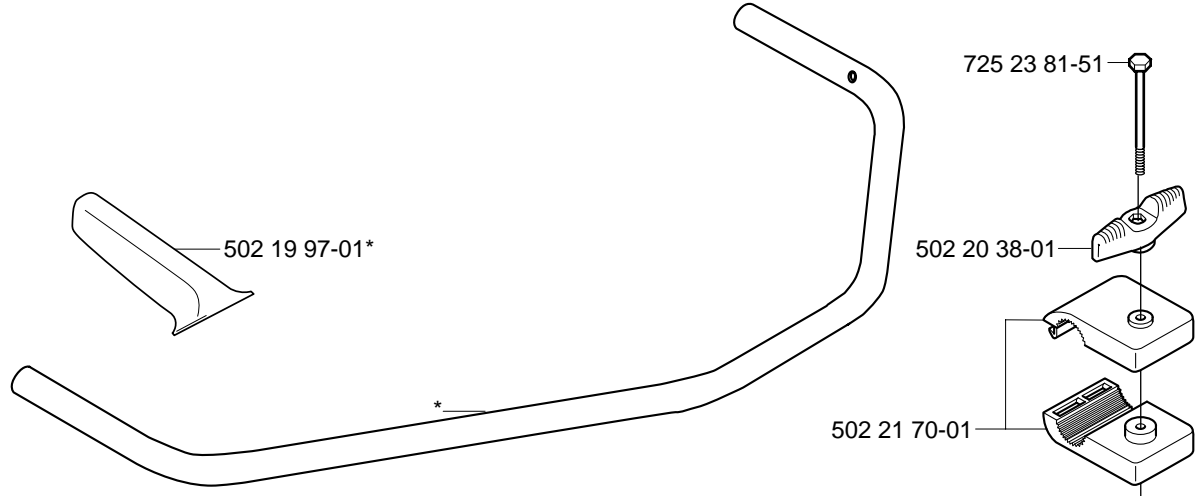
Spare parts
Ersatzteile
Pièces détachées
Reserve onderdelen
Repuestos
Reservdelar

106 26 45-61

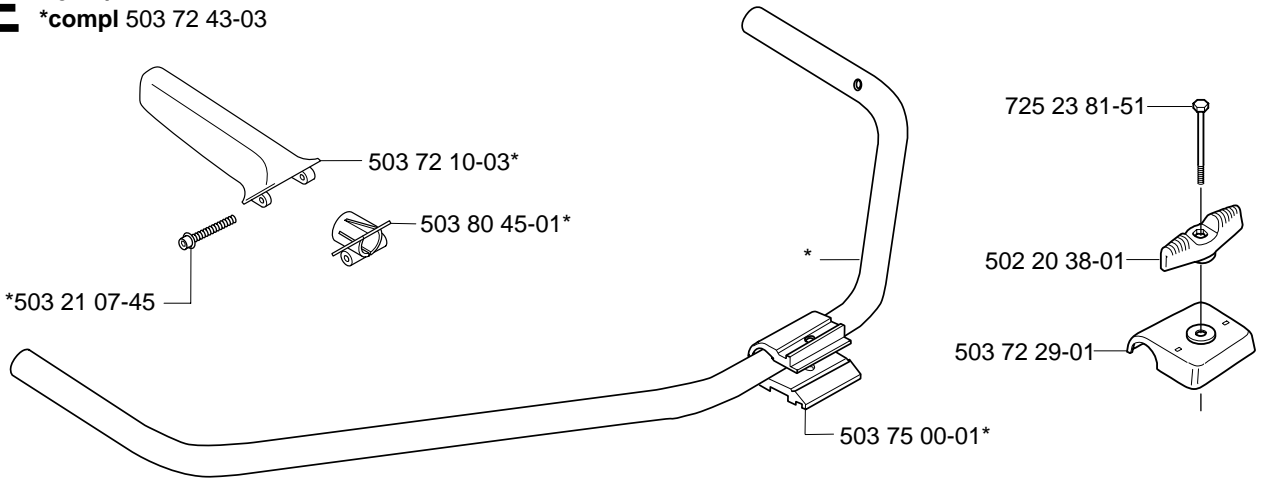
C 232 RD



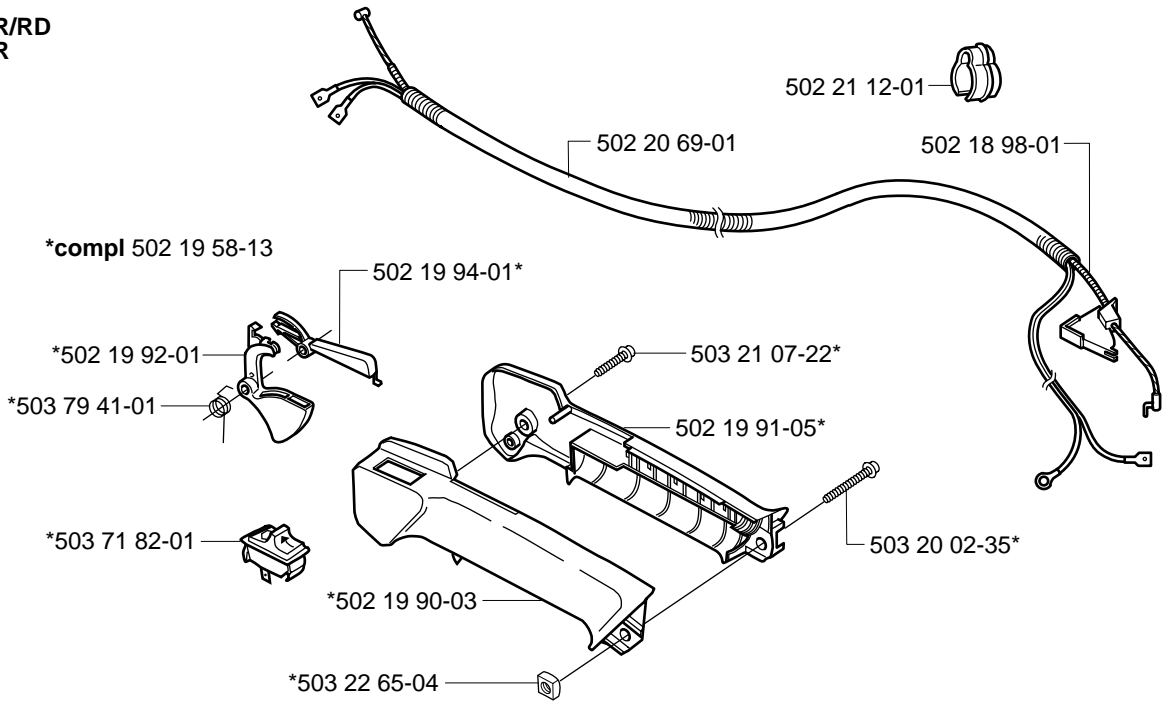
D 235 R
*compl 502 19 60-01



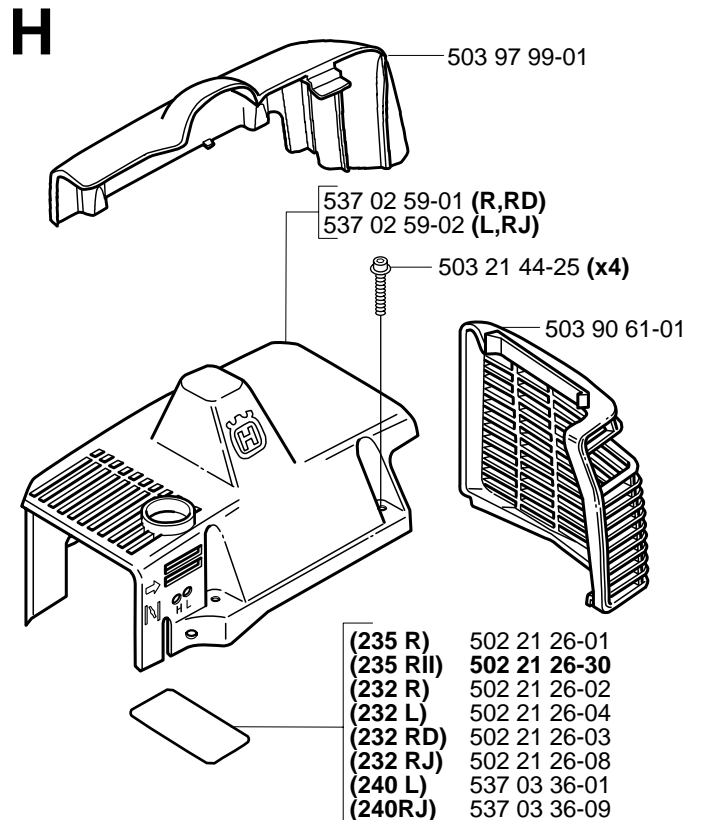
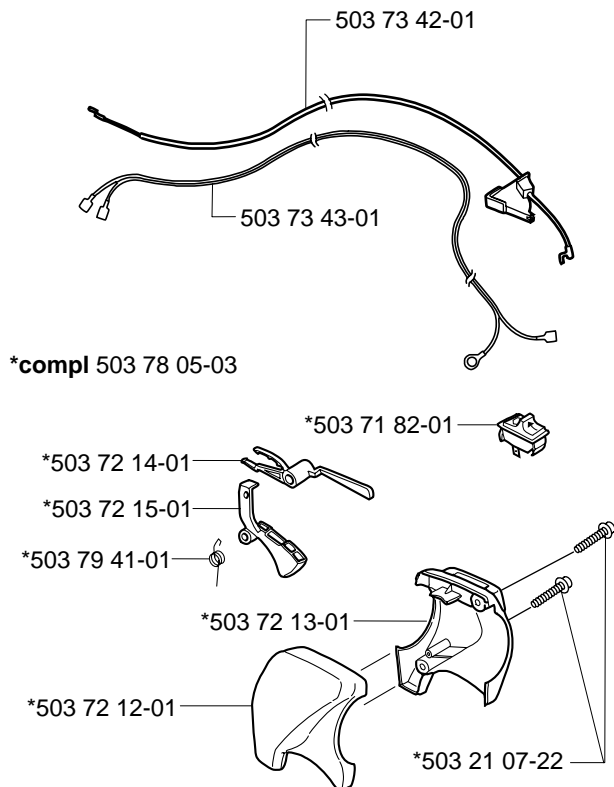
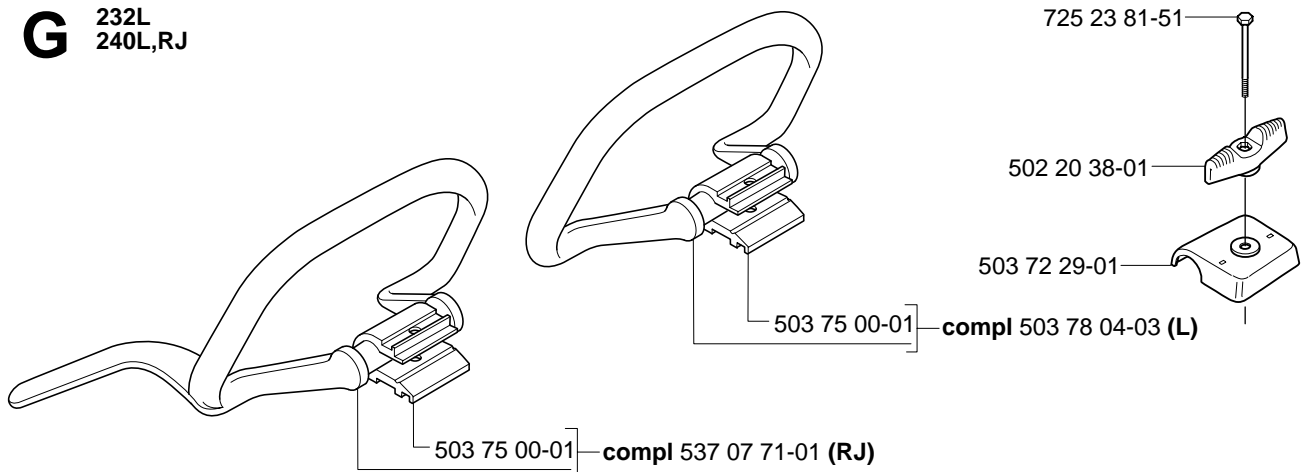
E 232 R/RD
*compl 503 72 43-03



F 232R/RD
235R

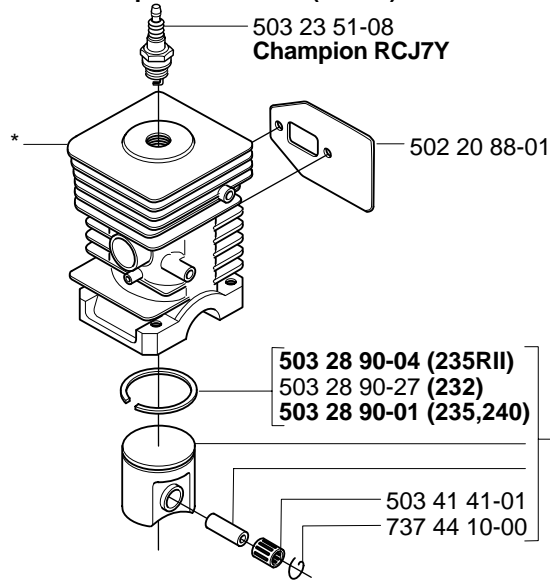


G 232L
240L,RJ



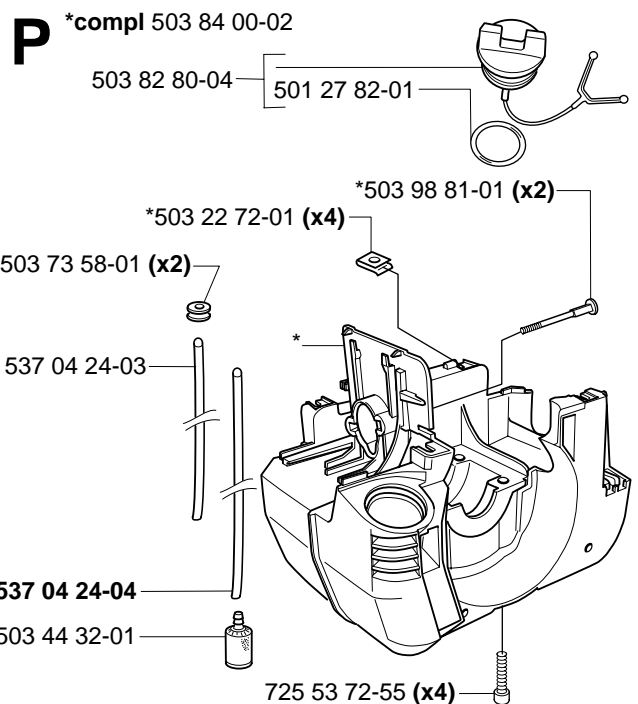
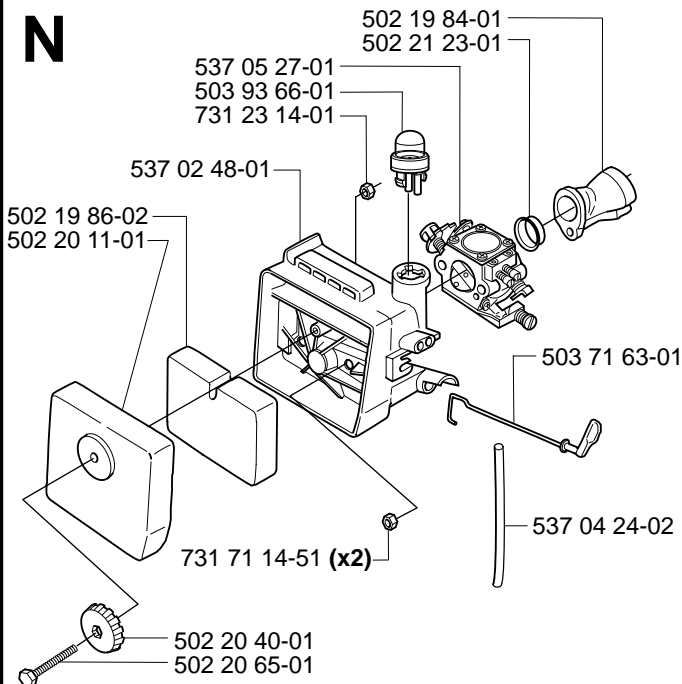
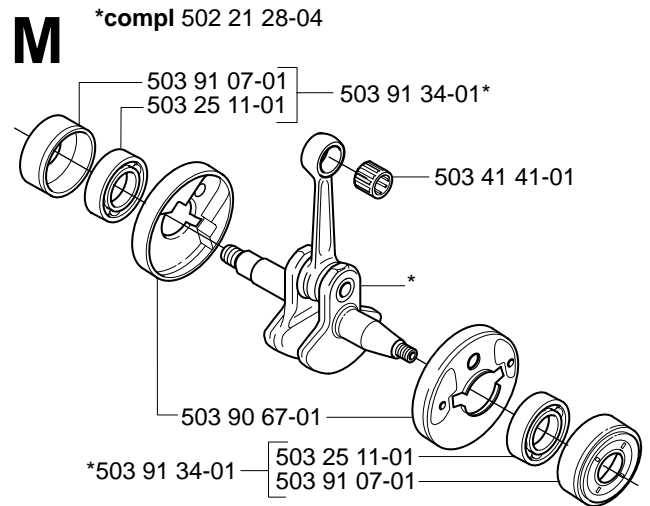
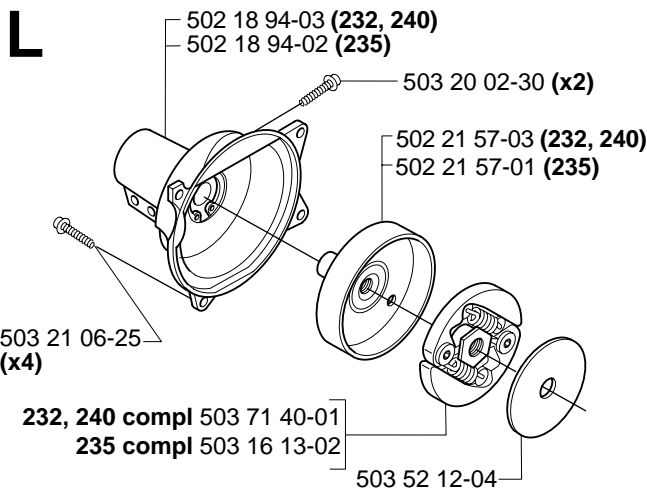
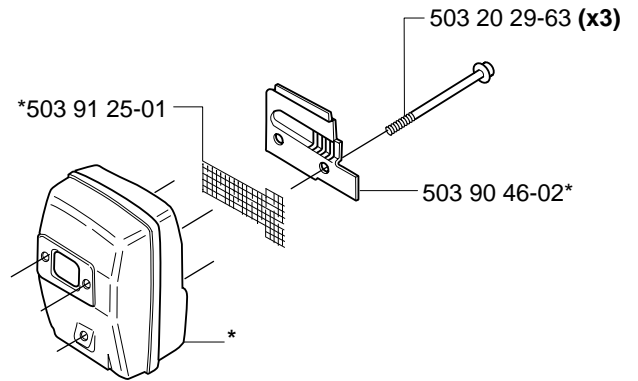
(235 R)	502 21 26-01
(235 RII)	502 21 26-30
(232 R)	502 21 26-02
(232 L)	502 21 26-04
(232 RD)	502 21 26-03
(232 RJ)	502 21 26-08
(240 L)	537 03 36-01
(240RJ)	537 03 36-09

J *compl 503 72 80-01 (232) ø35
 *compl 503 69 46-01 (235, 240) ø38
 *compl 537 10 41-01 (235RII) ø40

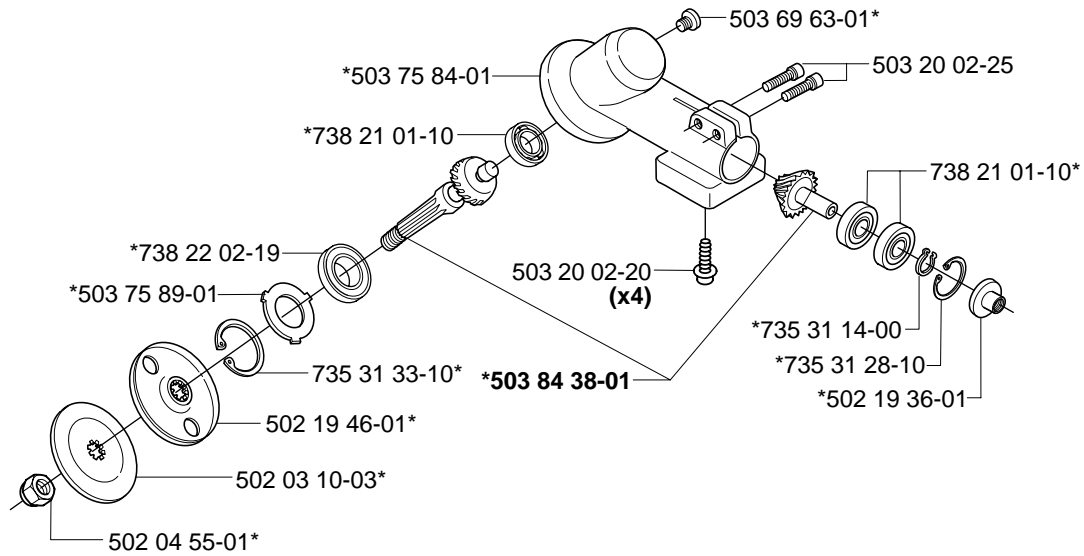


*compl 502 21 43-02 (232) ø35
 *compl 503 68 64-02 (235, 240) ø38
 *compl 537 10 40-02 (235RII) ø40

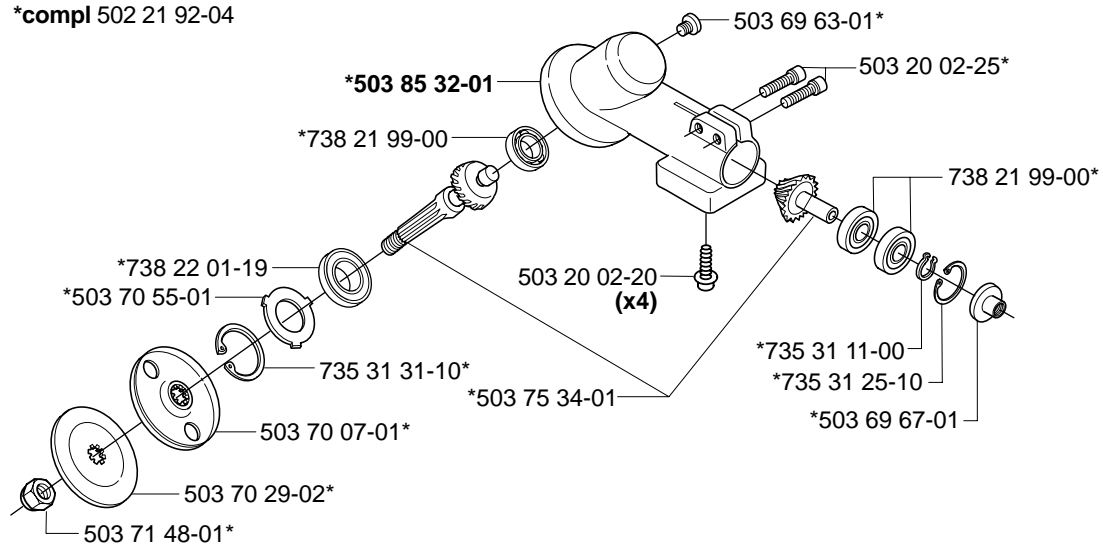
K *compl 503 90 47-02



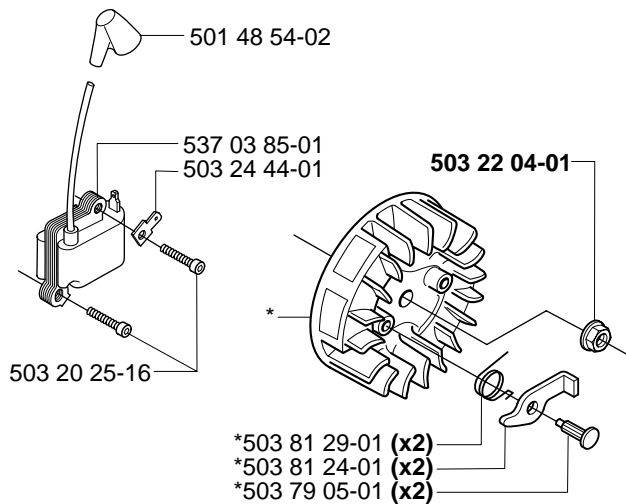
Q 235
*compl 503 75 83-01



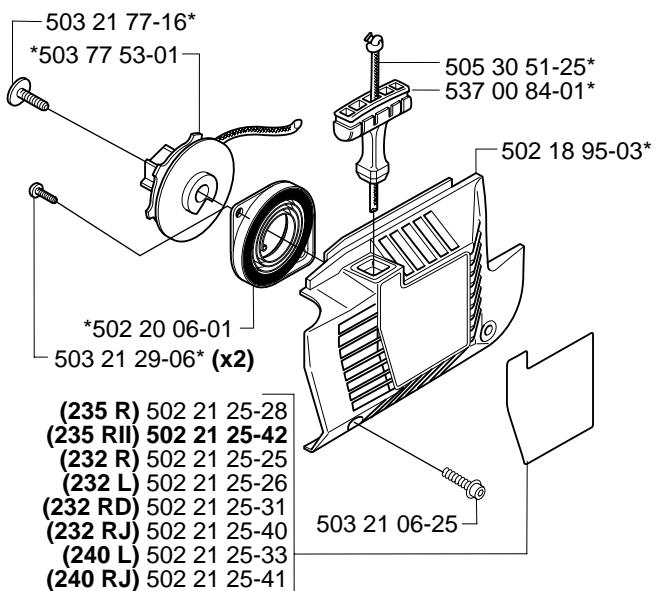
R 232
240
*compl 502 21 92-04



S *compl 503 79 06-01



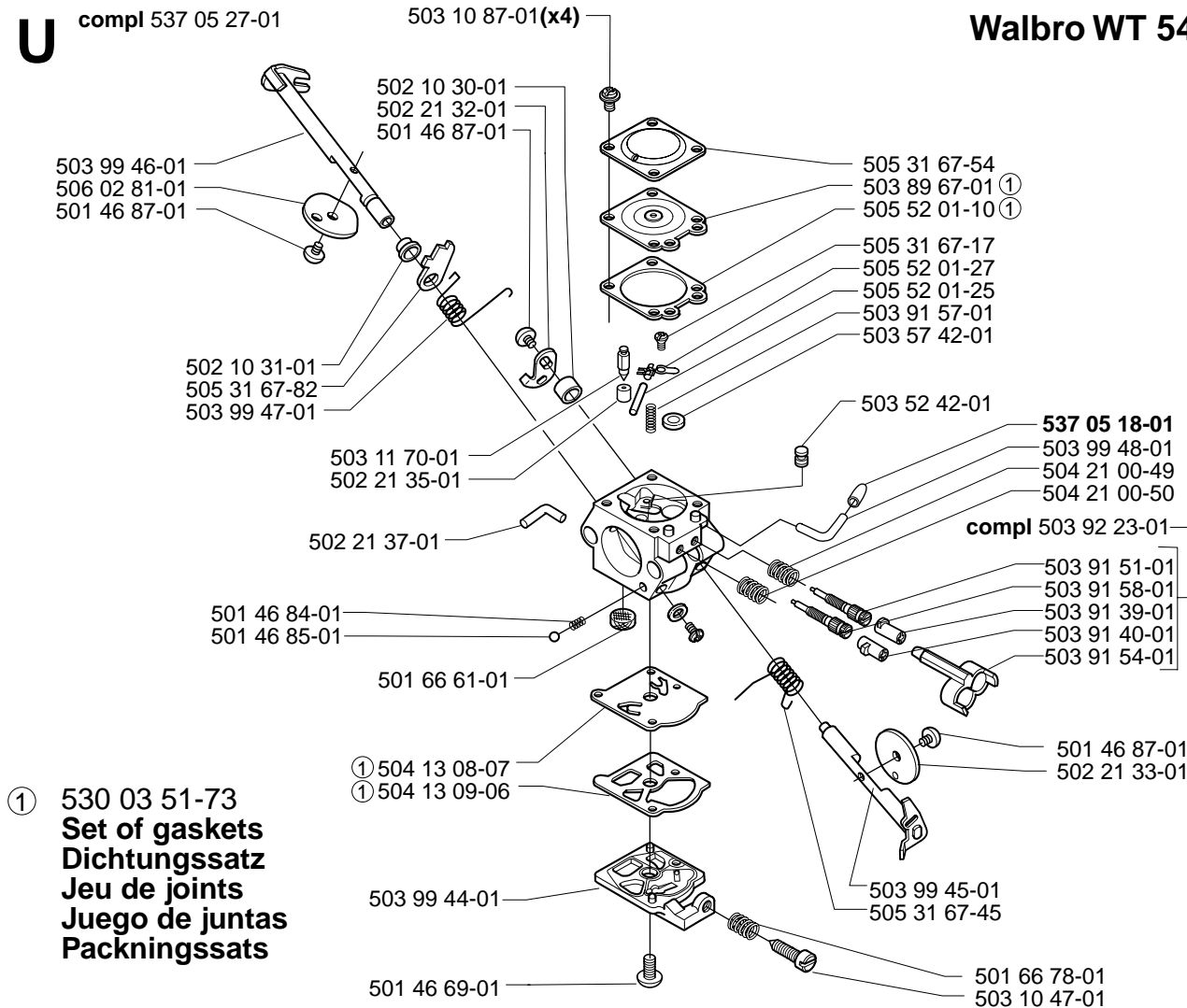
T *compl 502 18 95-02



U

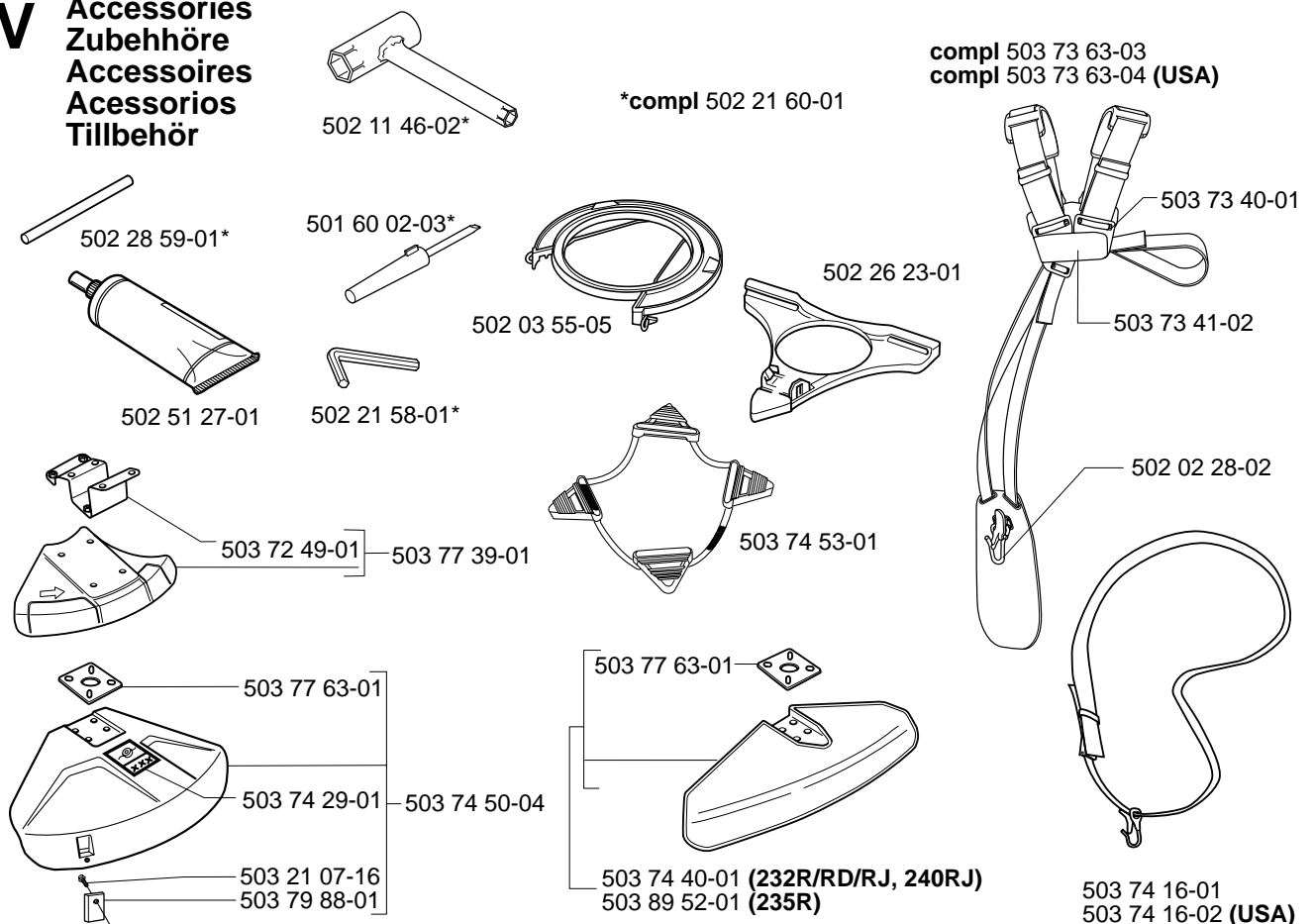
compl 537 05 27-01

Walbro WT 548



V

Accessories
Zubehöre
Accessoires
Accessorios
Tillbehör



For Husqvarna Parts Call 606-678-9623 or 606-561-4983

MODEL 232R,RD,RJ,L, 235R, 240RJ

PART NUMBER	SQUARE NOTE	PART NUMBER	SQUARE NOTE	PART NUMBER	SQUARE NOTE	PART NUMBER	SQUARE NOTE
501 27 82-01	P	502 21 70-01	D	503 73 45-01	A	505 31 67-54	U
501 46 69-01	U	502 21 92-04	R	503 73 47-02	B	505 31 67-82	U
501 46 84-01	U	502 26 23-01	V	503 73 58-01	P	505 52 01-10	U
501 46 85-01	U	502 28 59-01	V	503 73 63-03	V	505 52 01-25	U
501 46 87-01	U	502 28 61-01	AB	503 73 63-04	V	505 52 01-27	U
501 48 54-02	S	502 51 27-01	V	503 74 16-01	V	506 02 81-01	U
501 60 02-03	V	503 10 47-01	U	503 74 16-02	V	530 03 51-73	U
501 66 61-01	U	503 10 87-01	U	503 74 29-01	V	537 00 84-01	T
501 66 78-01	U	503 11 70-01	U	503 74 40-01	V	537 02 48-01	N
502 02 28-02	V	503 16 13-02	L	503 74 50-04	V	537 02 59-01	H
502 03 10-03	Q	503 20 02-10	C	503 74 53-01	V	537 02 59-02	H
502 03 55-05	V	503 20 02-20	QR	503 75 00-01	EG	537 02 76-01	ABC
502 04 55-01	Q	503 20 02-25	BCQR	503 75 34-01	R	537 03 36-01	H
502 10 30-01	U	503 20 02-30	AL	503 75 83-01	Q	537 03 36-09	H
502 10 31-01	U	503 20 02-35	F	503 75 84-01	Q	537 03 85-01	S
502 11 46-02	V	503 20 25-16	S	503 75 89-01	Q	537 04 24-02	N
502 18 94-02	L	503 20 29-63	K	503 77 39-01	V	537 04 24-03	P
502 18 94-03	L	503 21 06-25	LT	503 77 53-01	T	537 04 24-04	P
502 18 95-02	T	503 21 07-16	BV	503 77 63-01	V	537 05 18-01	U
502 18 95-03	T	503 21 07-22	FG	503 78 04-03	G	537 05 27-01	NU
502 18 96-01	A	503 21 07-45	E	503 78 05-03	G	537 07 71-01	G
502 18 98-01	F	503 21 29-06	T	503 78 51-02	C	537 10 40-02	J
502 19 36-01	Q	503 21 44-25	H	503 78 52-01	C	537 10 41-01	J
502 19 46-01	Q	503 21 77-16	T	503 79 05-01	S	725 23 79-51	C
502 19 58-13	F	503 22 04-01	S	503 79 06-01	S	725 23 81-51	DEG
502 19 60-01	D	503 22 65-04	F	503 79 41-01	FG	725 53 72-55	P
502 19 71-01	AB	503 22 72-01	P	503 79 56-01	B	731 23 14-01	ABN
502 19 84-01	N	503 23 51-08	J	503 79 88-01	V	731 71 14-51	N
502 19 86-02	N	503 24 44-01	S	503 80 45-01	E	735 31 11-00	R
502 19 90-03	F	503 25 11-01	M	503 81 24-01	S	735 31 14-00	Q
502 19 91-05	F	503 28 90-01	J	503 81 29-01	S	735 31 25-10	R
502 19 92-01	F	503 28 90-04	J	503 82 80-04	P	735 31 28-10	Q
502 19 94-01	F	503 28 90-27	J	503 84 00-02	P	735 31 31-10	R
502 19 97-01	D	503 41 41-01	JM	503 84 38-01	Q	735 31 33-10	Q
502 20 06-01	T	503 44 32-01	P	503 85 32-01	R	735 58 08-10	C
502 20 11-01	N	503 52 12-04	L	503 88 94-01	A	737 44 10-00	J
502 20 31-01	A	503 52 42-01	U	503 88 95-01	B	738 21 01-10	Q
502 20 32-03	AB	503 57 42-01	U	503 88 96-01	C	738 21 99-00	R
502 20 33-01	A	503 68 64-02	J	503 88 96-02	C	738 22 01-19	R
502 20 38-01	CDEG	503 69 46-01	J	503 89 52-01	V	738 22 02-19	Q
502 20 40-01	N	503 69 63-01	QR	503 89 67-01	U	740 43 15-00	C
502 20 65-01	N	503 69 67-01	R	503 90 46-02	K		
502 20 69-01	F	503 70 07-01	R	503 90 47-02	K		
502 20 88-01	J	503 70 29-02	R	503 90 61-01	H		
502 21 12-01	F	503 70 55-01	R	503 90 67-01	M		
502 21 23-01	N	503 70 80-01	C	503 91 07-01	M		
502 21 25-25	T	503 71 40-01	L	503 91 25-01	K		
502 21 25-26	T	503 71 43-01	B	503 91 34-01	M		
502 21 25-28	T	503 71 43-02	C	503 91 39-01	U		
502 21 25-31	T	503 71 48-01	R	503 91 40-01	U		
502 21 25-33	T	503 71 54-01	C	503 91 51-01	U		
502 21 25-40	T	503 71 63-01	N	503 91 54-01	U		
502 21 25-41	T	503 71 82-01	FG	503 91 57-01	U		
502 21 25-42	T	503 72 10-03	E	503 91 58-01	U		
502 21 26-01	H	503 72 12-01	G	503 92 23-01	U		
502 21 26-02	H	503 72 13-01	G	503 93 66-01	N		
502 21 26-03	H	503 72 14-01	G	503 97 99-01	H		
502 21 26-04	H	503 72 15-01	G	503 98 81-01	P		
502 21 26-08	H	503 72 18-01	B	503 99 44-01	U		
502 21 26-30	H	503 72 24-01	B	503 99 45-01	U		
502 21 28-04	M	503 72 25-01	B	503 99 46-01	U		
502 21 32-01	U	503 72 29-01	EG	503 99 47-01	U		
502 21 33-01	U	503 72 43-03	E	503 99 48-01	U		
502 21 35-01	U	503 72 49-01	V	504 13 08-07	U		
502 21 37-01	U	503 72 77-01	C	504 13 09-06	U		
502 21 43-02	J	503 72 80-01	J	504 21 00-49	U		
502 21 57-01	L	503 73 40-01	V	504 21 00-50	U		
502 21 57-03	L	503 73 41-02	V	505 30 51-25	T		
502 21 58-01	V	503 73 42-01	G	505 31 67-17	U		
502 21 60-01	V	503 73 43-01	G	505 31 67-45	U		