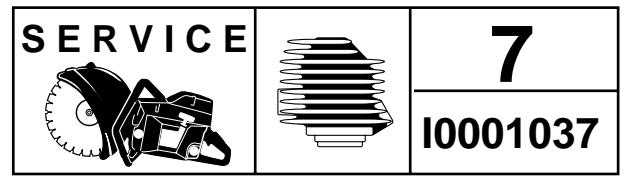


For Husqvarna Parts Call 606-678-9623 or 606-561-4983



IPL, KV 03 Trolley Cart, Fits 371 K/ 3120 K, 2000-03, 106 25 95-62

# KV 03 Trolley Cart

**Spare parts**

Replaces

**Ersatzteile**

Ersetzt

**Pièces détachées**

Remplace

**Reserve onderdelen**

Vervangt

**Repuestos**

Reemplaza

**Reservdelar**

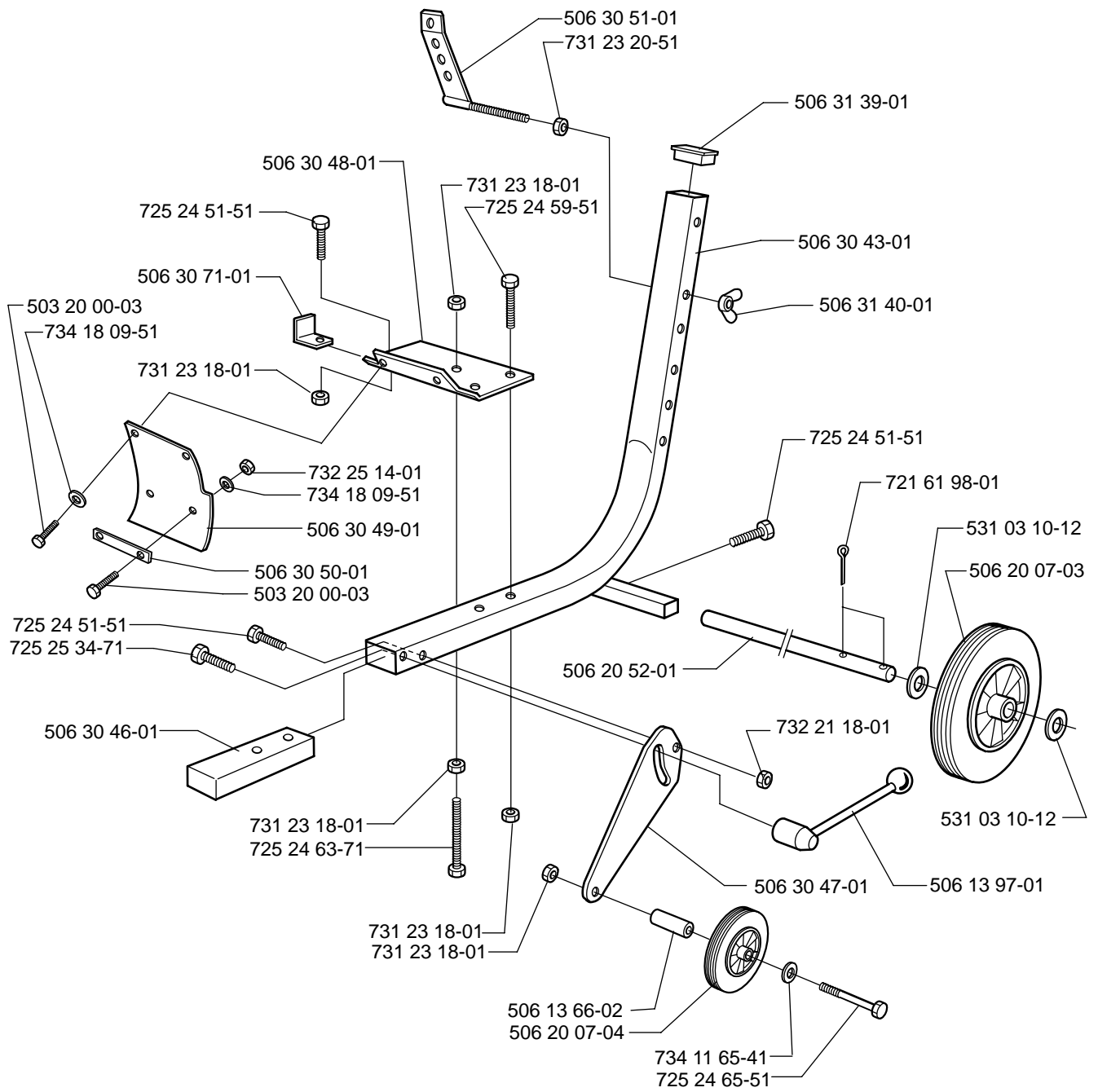
Ersätter

106 25 95-61

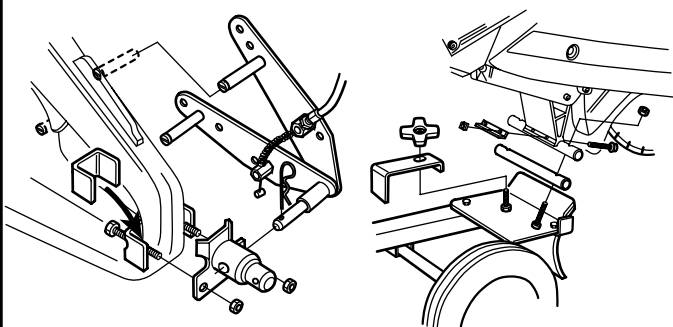
106 25 95-62

**A**

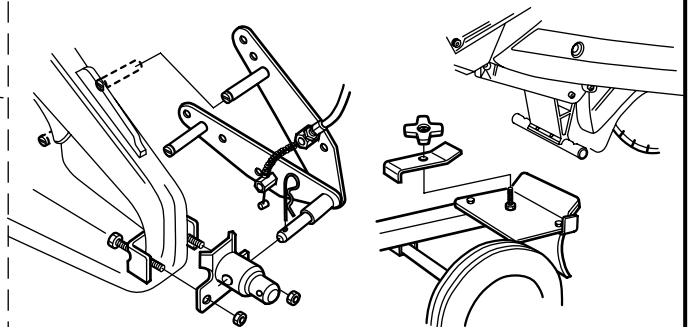
compl. 506 29 54-11



**Kit 371K, compl. 506 31 49-01**

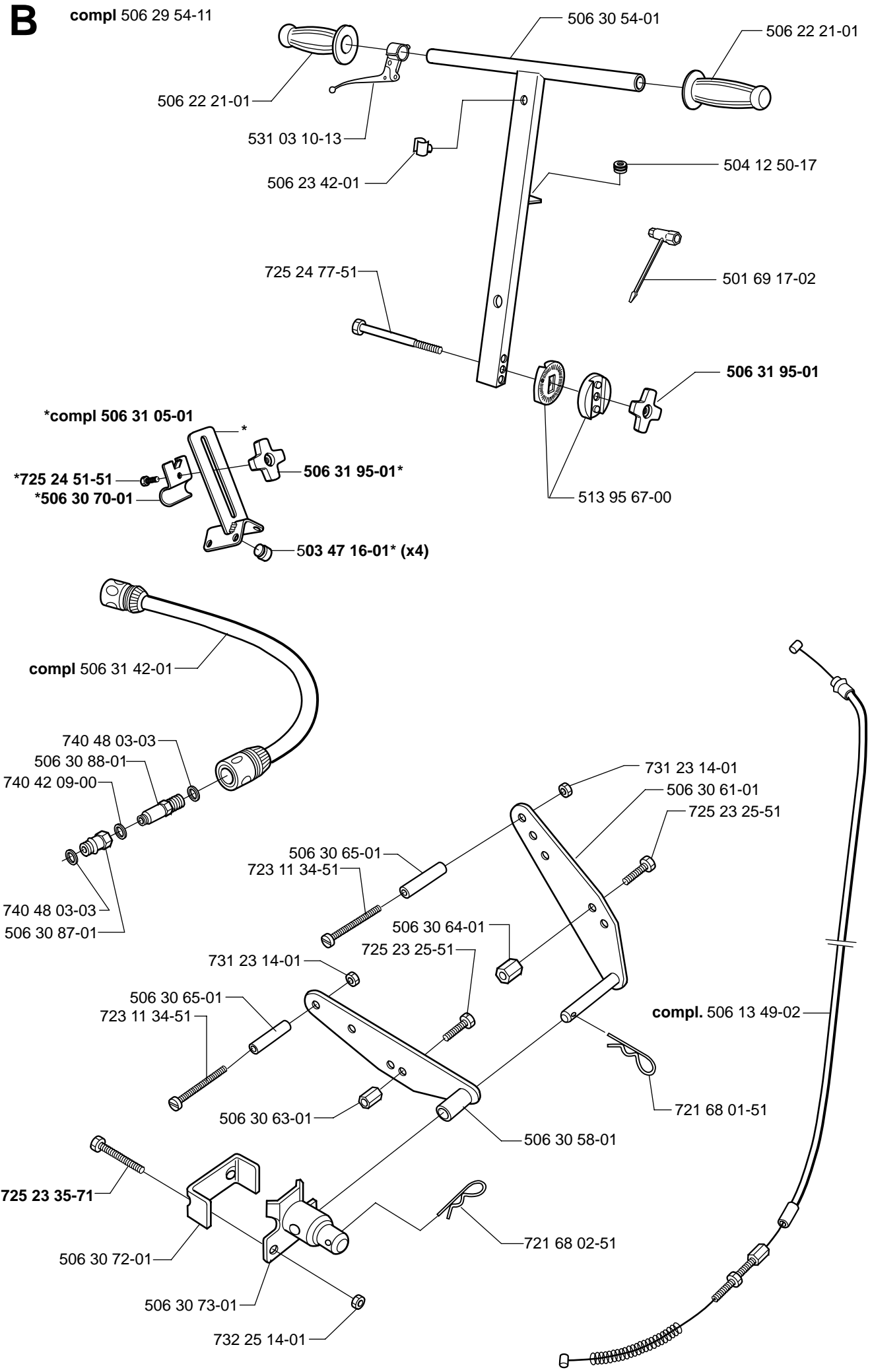


**Kit 3120K, compl. 506 31 46-01**

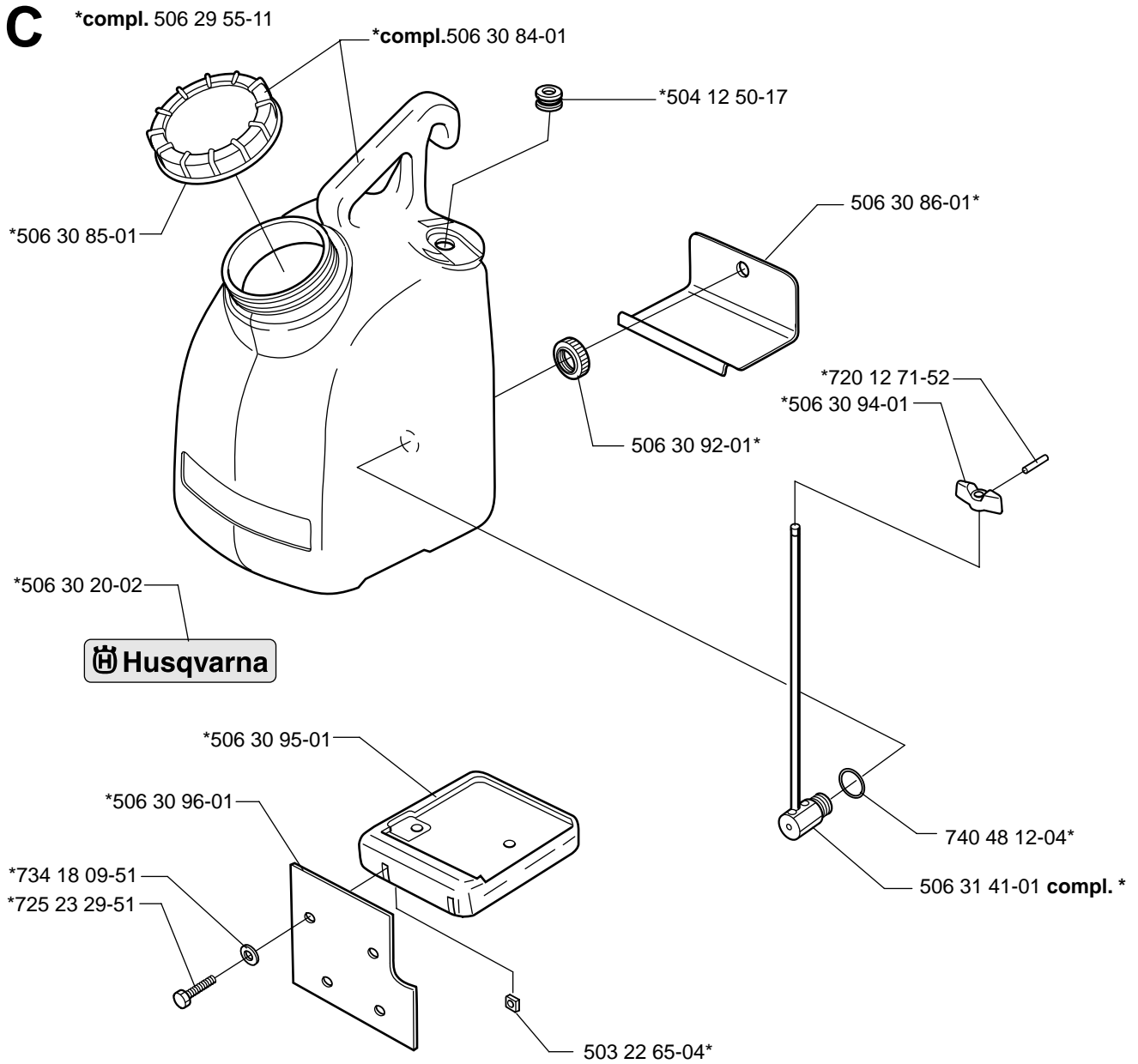


**B**

compl 506 29 54-11

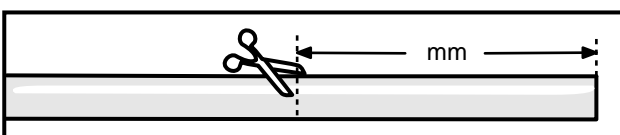
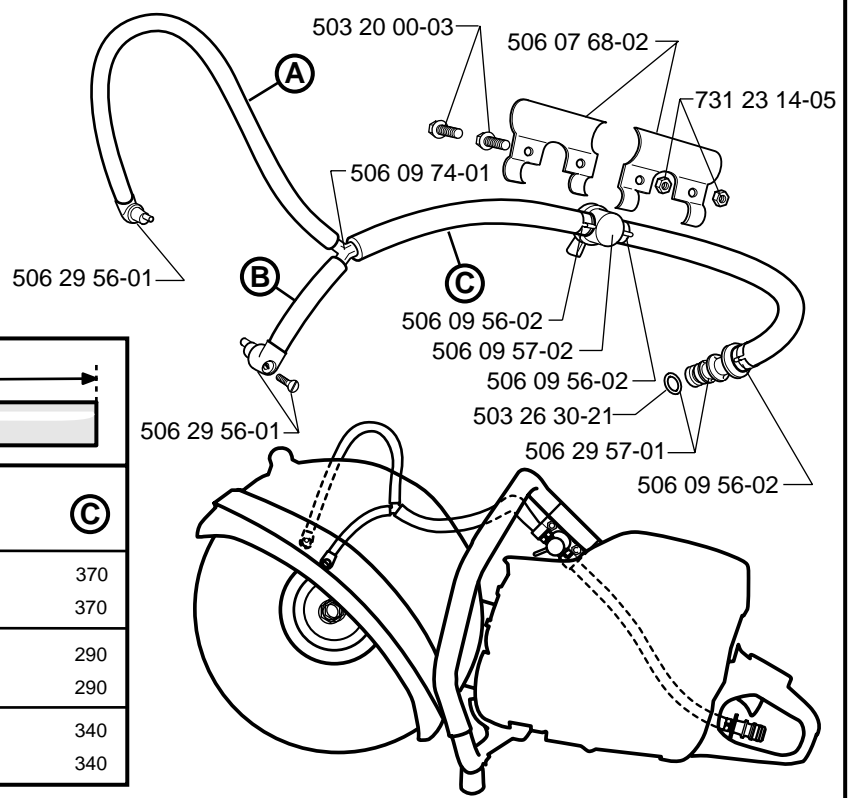


**C**



**D**

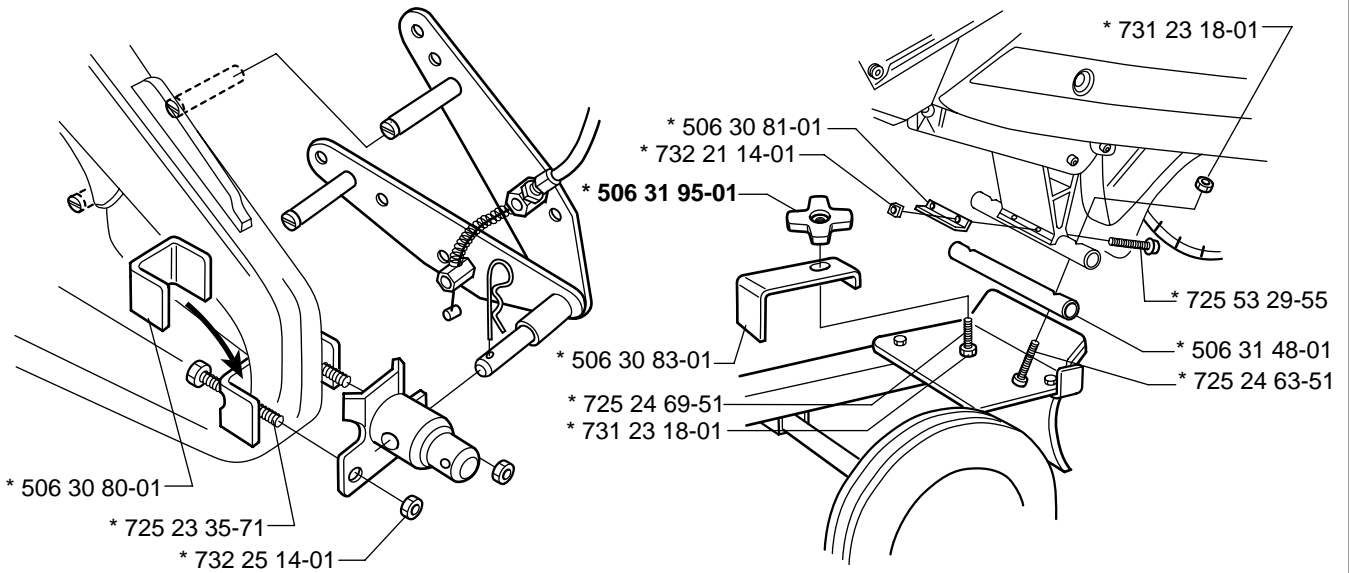
**Wet cutting kit**  
506 29 30-13



Husqvarna Power Cutter		(A)	(B)	(C)
268/272K	12"	260	50	370
268/272K	14"	310	50	370
371K	12"	180	50	290
371K	14"	230	50	290
3120K	14"	230	50	340
3120K	16"	290	50	340

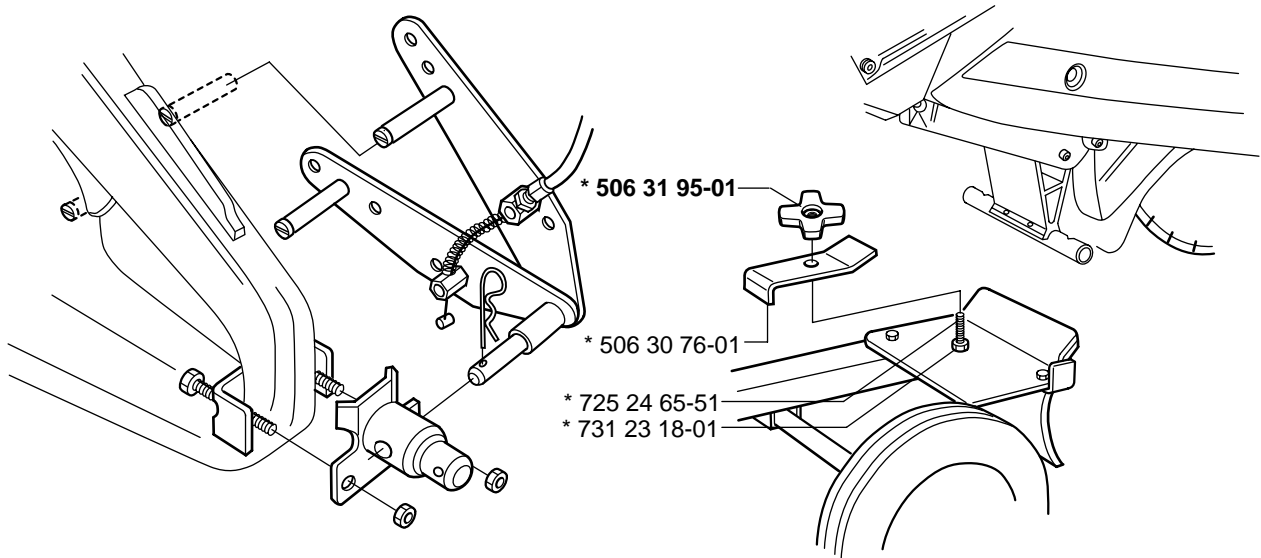
**E**

\* Kit 371K, compl. 506 31 49-01



**F**

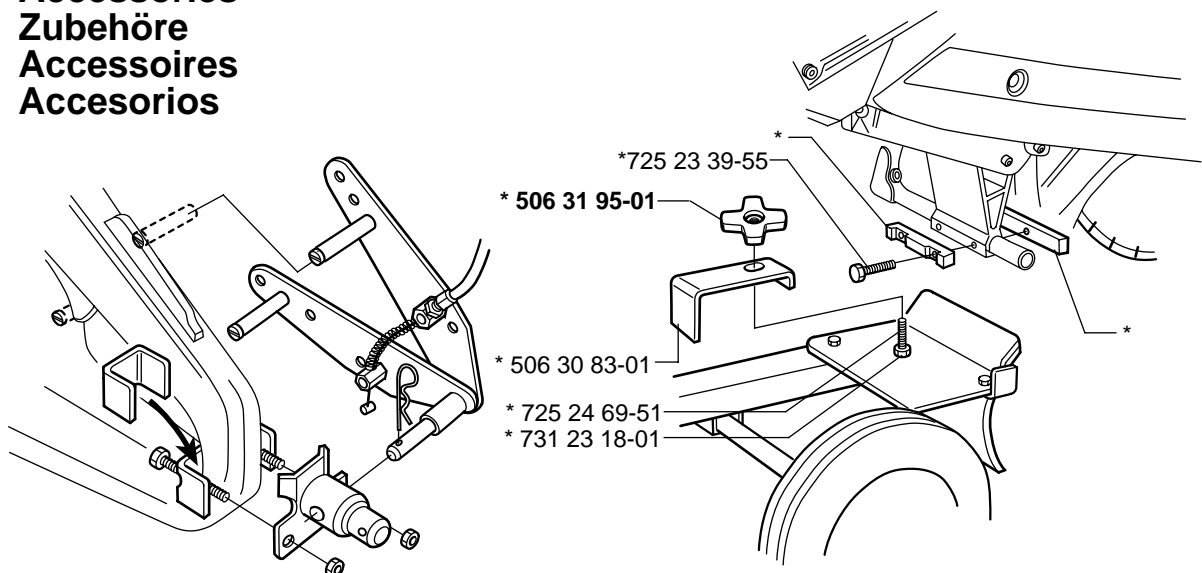
\* Kit 3120K, compl. 506 31 46-01



**G**

Tillbehör \* Kit 268K, 272K, compl. 506 31 99-01

Accessories  
Zubehöre  
Accessoires  
Accesorios



# For Husqvarna Parts Call 606-678-9623 or 606-561-4983

MODEL KV03

PART NUMBER	SQUARE NOTE	PART NUMBER	SQUARE NOTE	PART NUMBER	SQUARE NOTE	PART NUMBER	SQUARE NOTE
501 69 17-02	B	506 31 39-01	A				
503 20 00-03	AD	506 31 40-01	A				
503 22 65-04	C	506 31 41-01	C				
503 26 30-21	D	506 31 42-01	B				
503 47 16-01	B	506 31 46-01	AF				
504 12 50-17	BC	506 31 48-01	E				
506 07 68-02	D	506 31 49-01	AE				
506 09 56-02	D	506 31 95-01	BEFG	N			
506 09 57-02	D	506 31 99-01	G	N			
506 09 74-01	D	513 95 67-00	B				
506 13 49-02	B	531 00 60-76	H				
506 13 66-02	A	531 03 10-12	A				
506 13 97-01	A	531 03 10-13	B				
506 20 07-03	A	720 12 71-52	C				
506 20 07-04	A	721 61 98-01	A				
506 20 52-01	A	721 68 01-51	B				
506 22 21-01	B	721 68 02-51	B				
506 22 30-09	H	723 11 34-51	B				
506 23 42-01	B	725 23 25-51	B				
506 29 30-13	D	725 23 29-51	C				
506 29 46-02	H	725 23 35-71	BE	N			
506 29 46-04	H	725 23 39-55	G	N			
506 29 46-06	H	725 24 51-51	AB				
506 29 47-02	H	725 24 59-51	A				
506 29 47-04	H	725 24 63-51	E				
506 29 47-06	H	725 24 63-71	A				
506 29 48-02	H	725 24 65-51	AF				
506 29 48-04	H	725 24 69-51	EG				
506 29 54-11	AB	725 24 77-51	B				
506 29 55-11	C	725 25 34-71	A				
506 29 56-01	D	725 53 29-55	E				
506 29 57-01	D	731 23 14-01	B				
506 29 73-02	H	731 23 14-05	D				
506 29 73-04	H	731 23 18-01	AEFG				
506 29 73-06	H	731 23 20-51	A				
506 29 74-02	H	732 21 14-01	E				
506 29 74-04	H	732 21 18-01	A				
506 29 74-06	H	732 25 14-01	ABE				
506 30 20-02	C	734 11 65-41	A				
506 30 43-01	A	734 18 09-51	AC				
506 30 46-01	A	740 42 09-00	B				
506 30 47-01	A	740 48 03-03	B				
506 30 48-01	A	740 48 12-04	C				
506 30 49-01	A						
506 30 50-01	A						
506 30 51-01	A						
506 30 54-01	B						
506 30 58-01	B						
506 30 61-01	B						
506 30 63-01	B						
506 30 64-01	B						
506 30 65-01	B						
506 30 70-01	B						
506 30 71-01	A						
506 30 72-01	B						
506 30 73-01	B						
506 30 76-01	F						
506 30 80-01	E						
506 30 81-01	E						
506 30 83-01	EG						
506 30 84-01	C						
506 30 85-01	C						
506 30 86-01	C						
506 30 87-01	B						
506 30 88-01	B						
506 30 92-01	C						
506 30 94-01	C						
506 30 95-01	C						
506 30 96-01	C						
506 31 05-01	B						

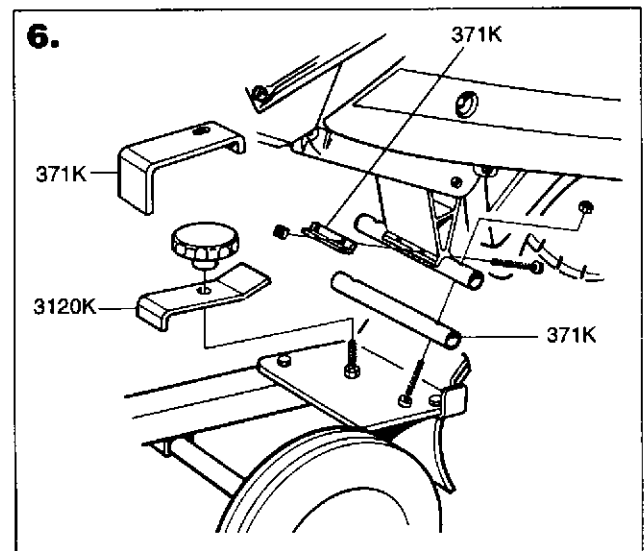
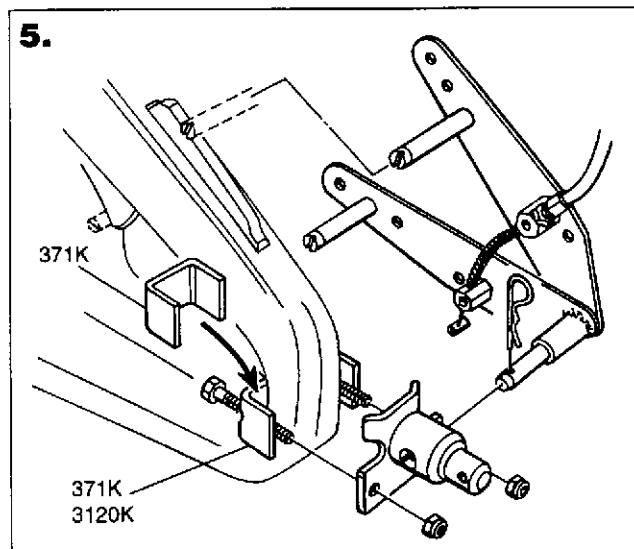
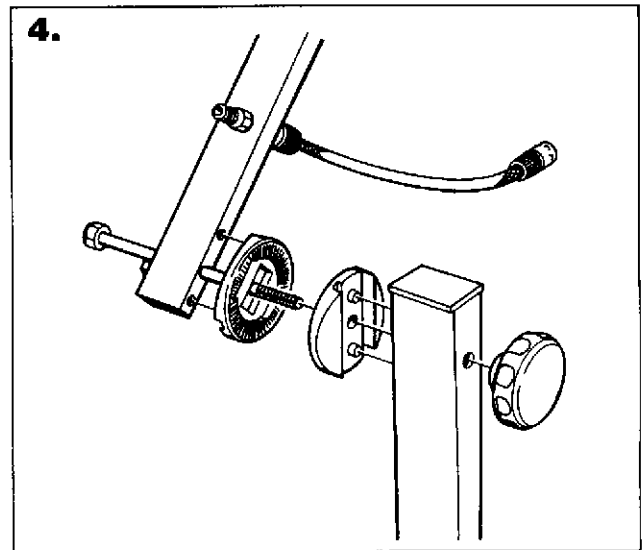
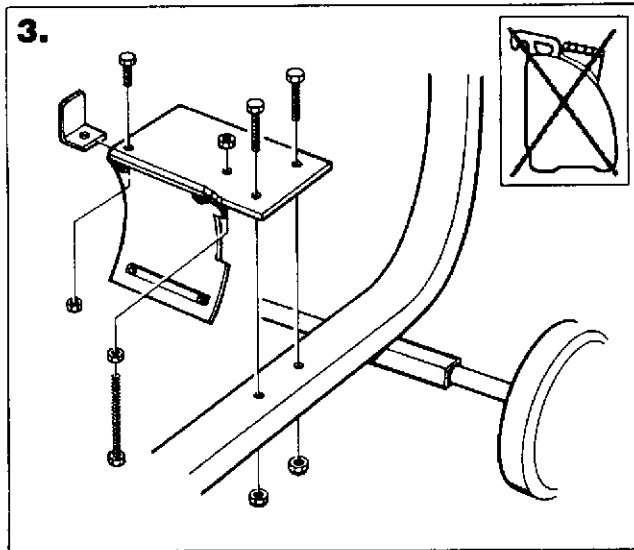
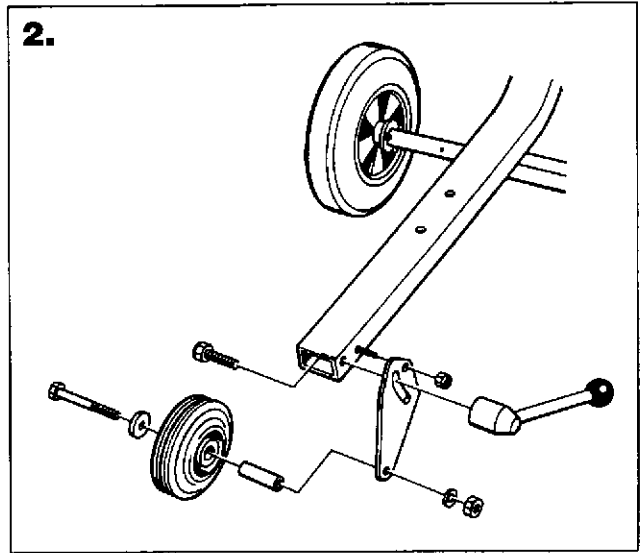
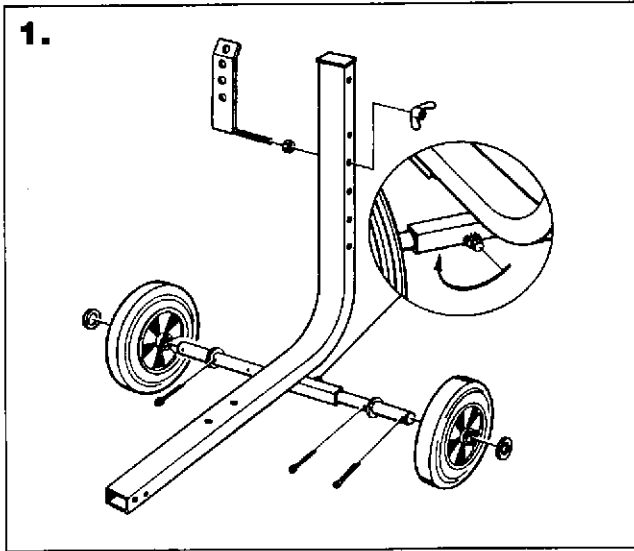
Set of gaskets  
Dichtungssatz  
Jeu de joints  
Juego de juntas  
Packningssats

N = New part  
Neues teil  
Nouvelle piece  
Nueva pieza  
Ny detalj

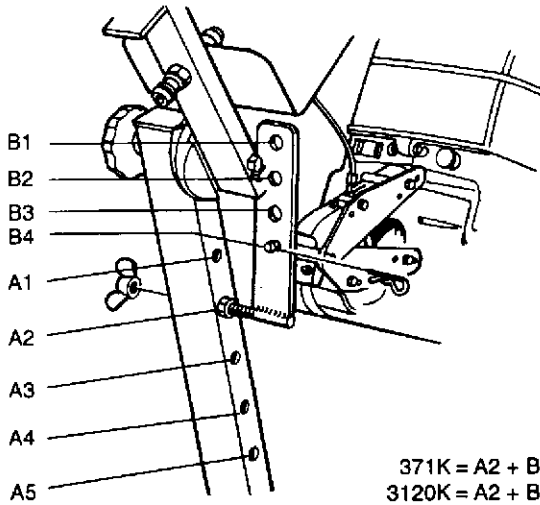
For Husqvarna Parts Call 606-678-9623 or 606-561-4983  
**ASSEMBLY INSTRUCTION**

**Trolley, Model KV03**

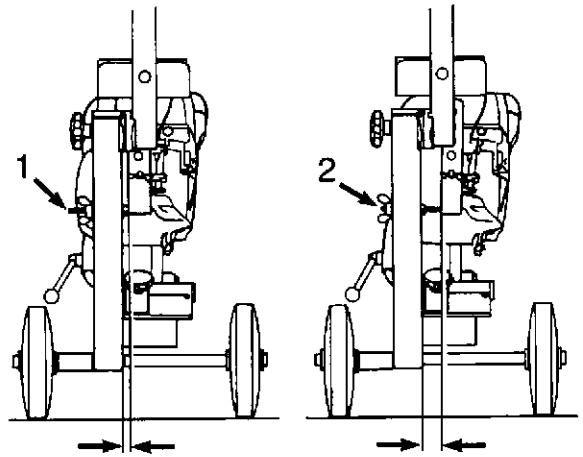
Husqvarna mod. 371K, 3120K



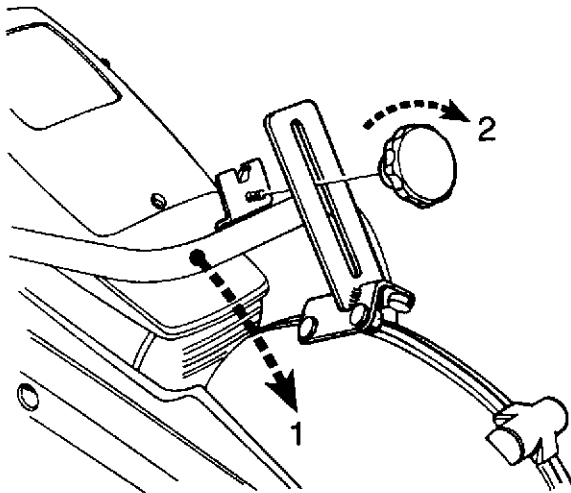
7.



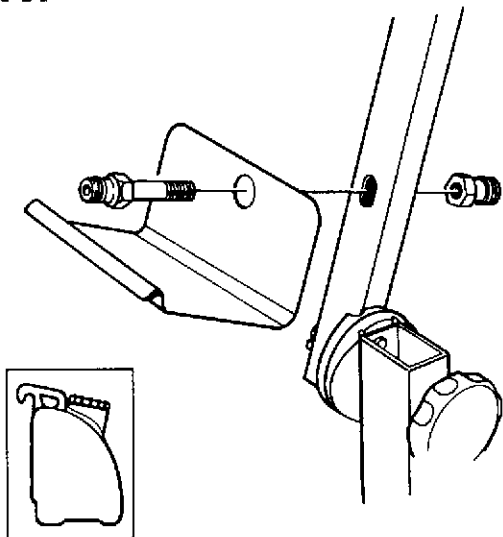
8.



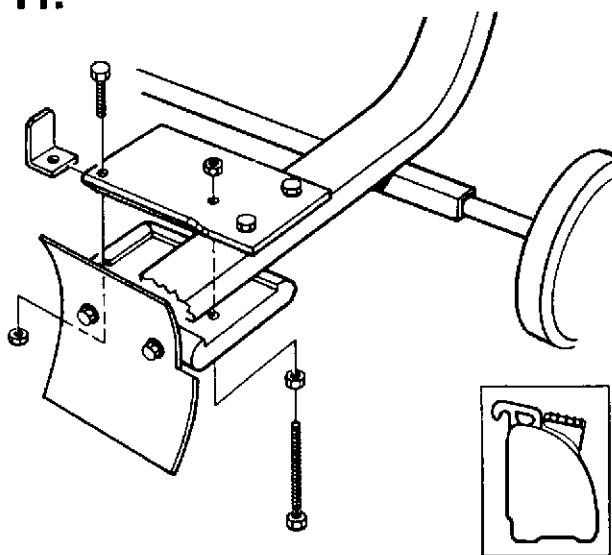
9.



10.



11.



12.

