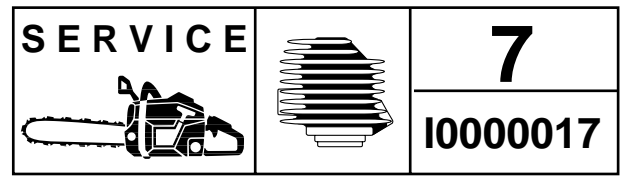


For Husqvarna Parts Call 606-678-9623 or 606-561-4983

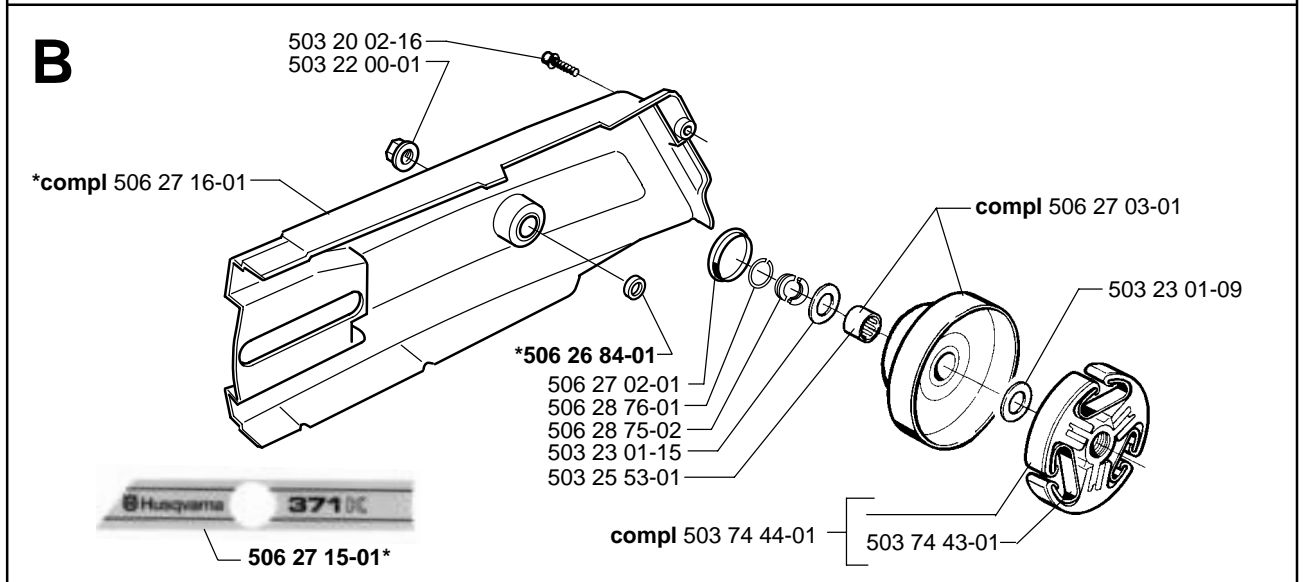
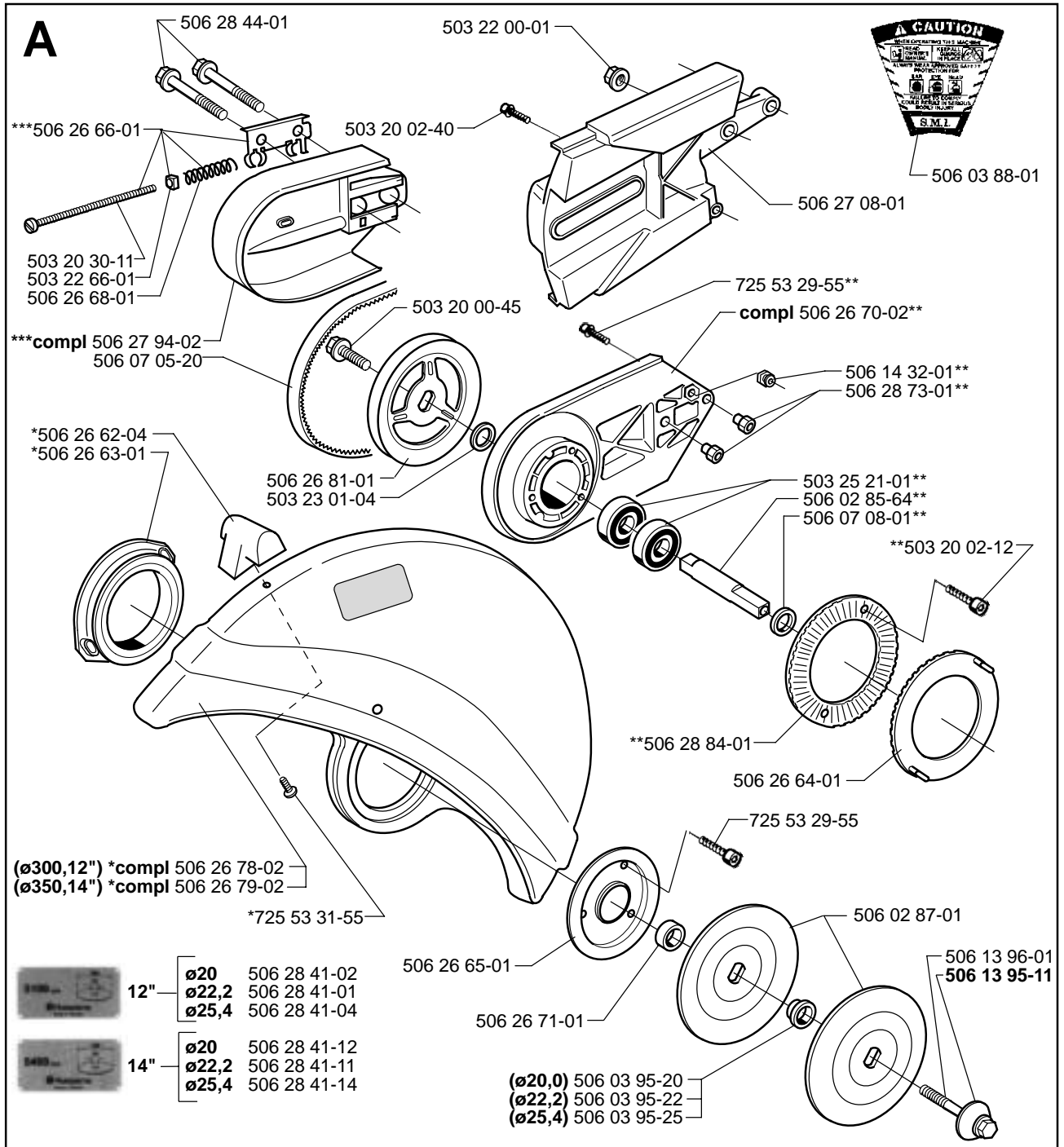


IPL, 371 K EPA, 2000-02, 106 25 43-63

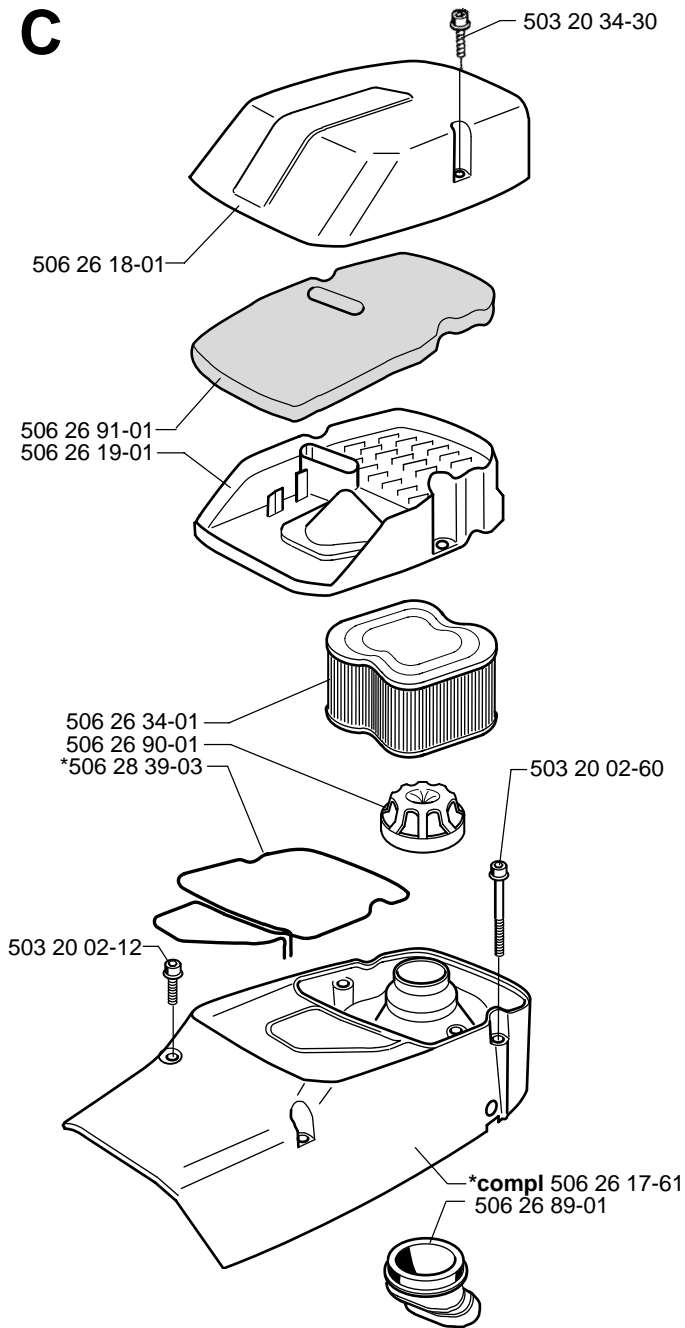
# 371 K EPA

<b>Spare parts</b>	Replaces	
<b>Ersatzteile</b>	Ersetzt	
<b>Pièces détachées</b>	Remplace	
<b>Reserve onderdelen</b>	Vervangt	
<b>Repuestos</b>	Reemplaza	
<b>Reservdelar</b>	Ersätter	106 25 43-62

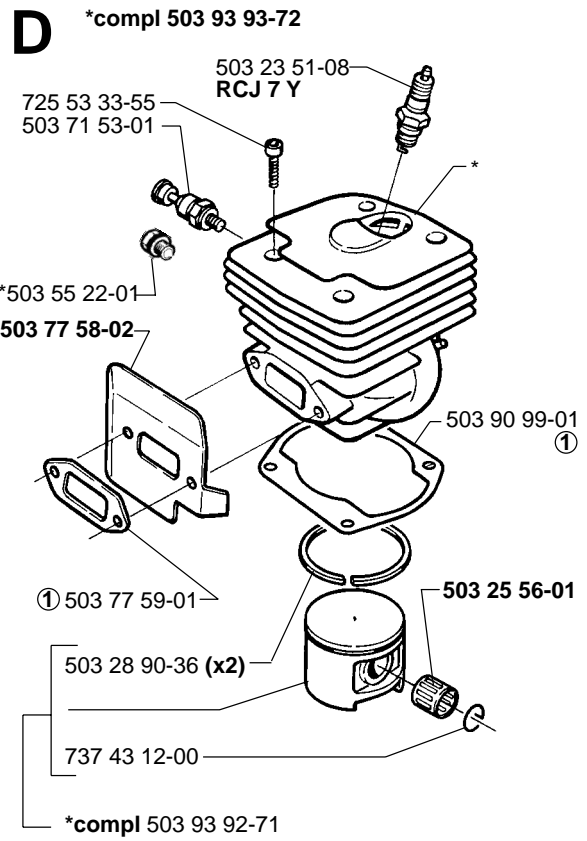
106 25 43-63



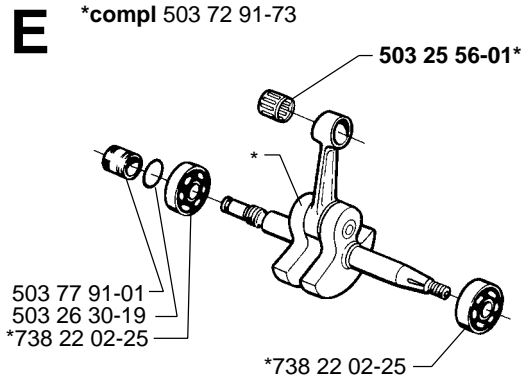
**C**



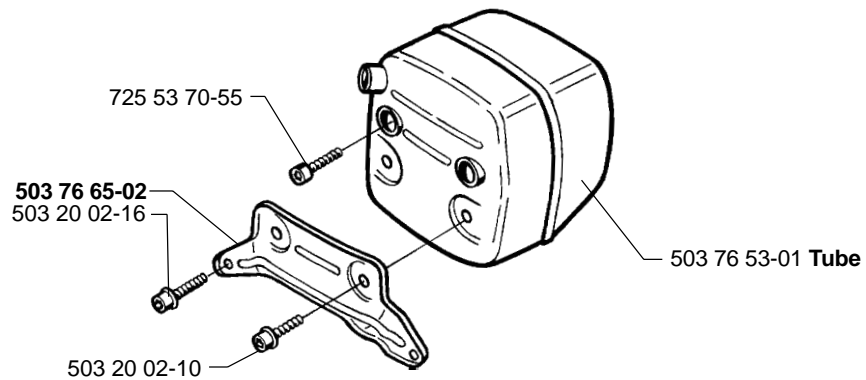
**D**



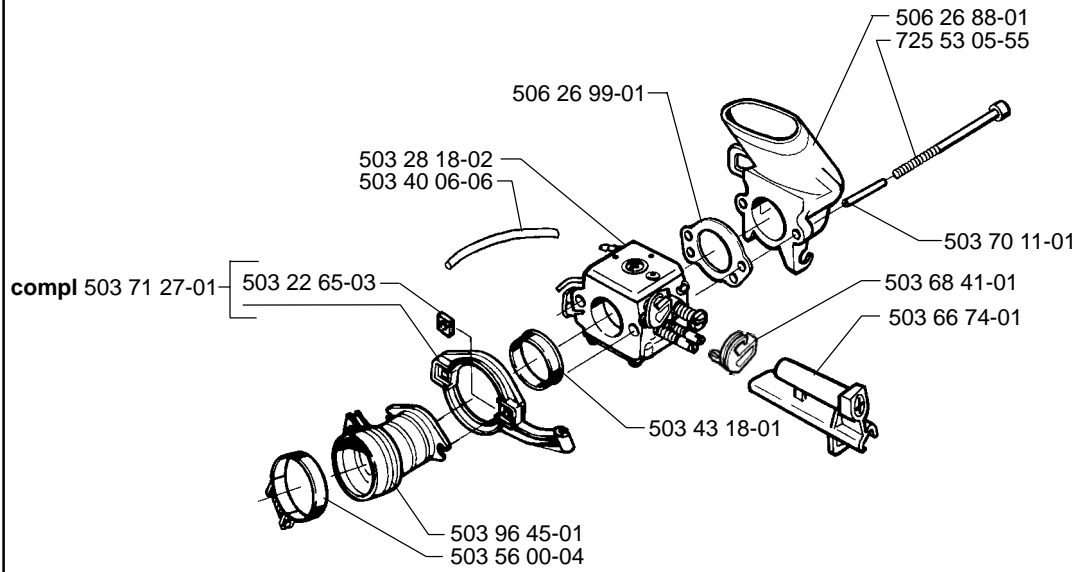
**E**



**F**

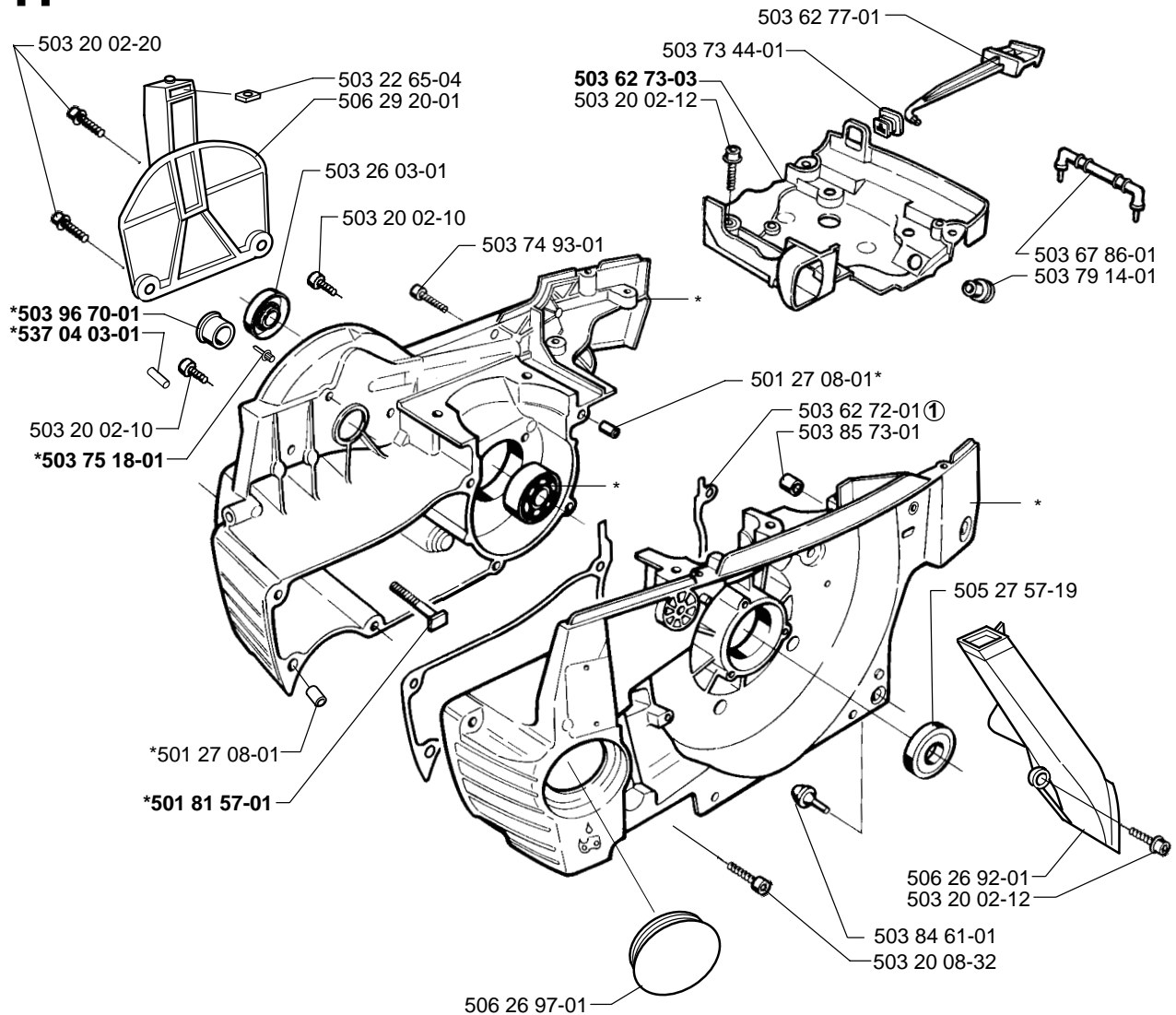


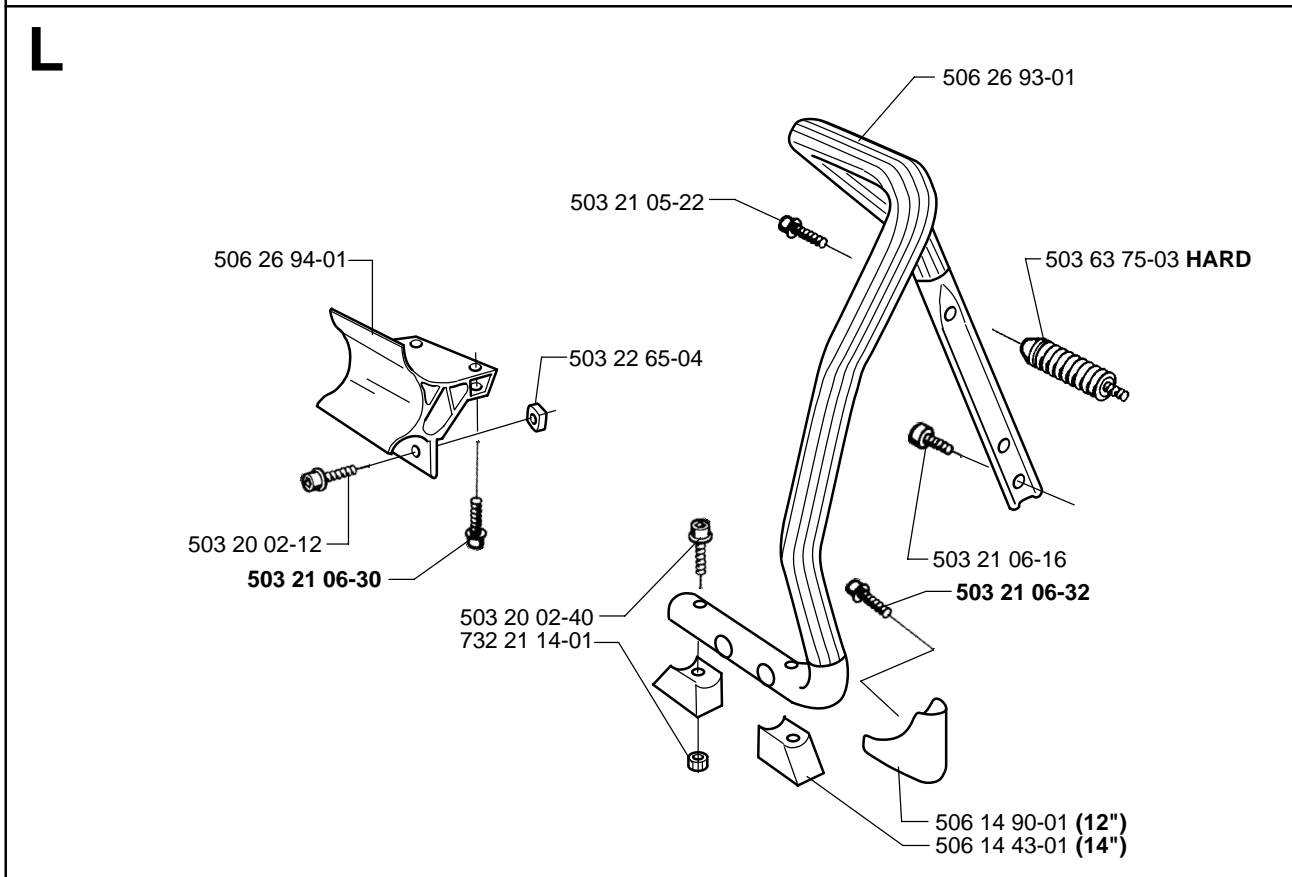
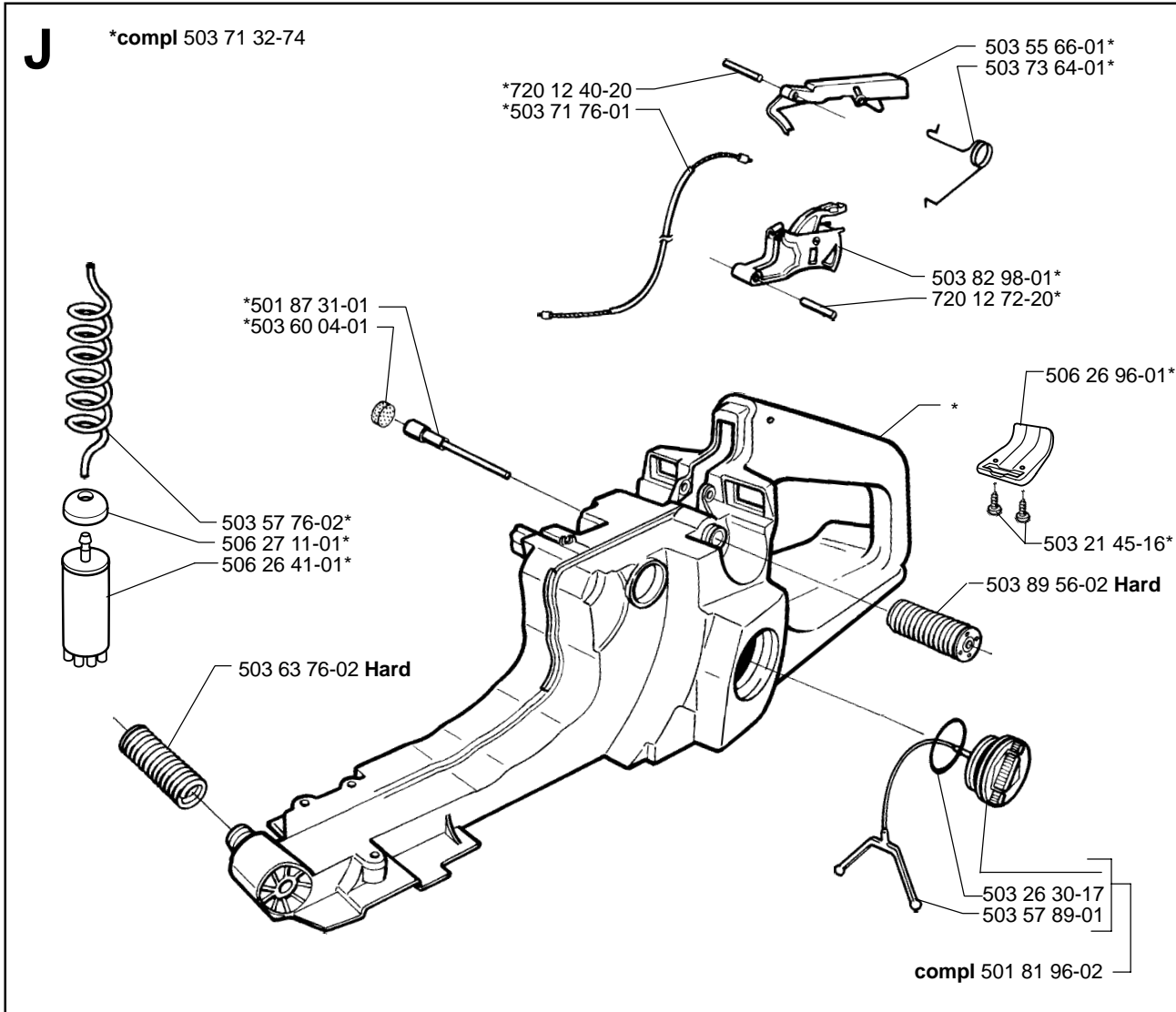
**G**



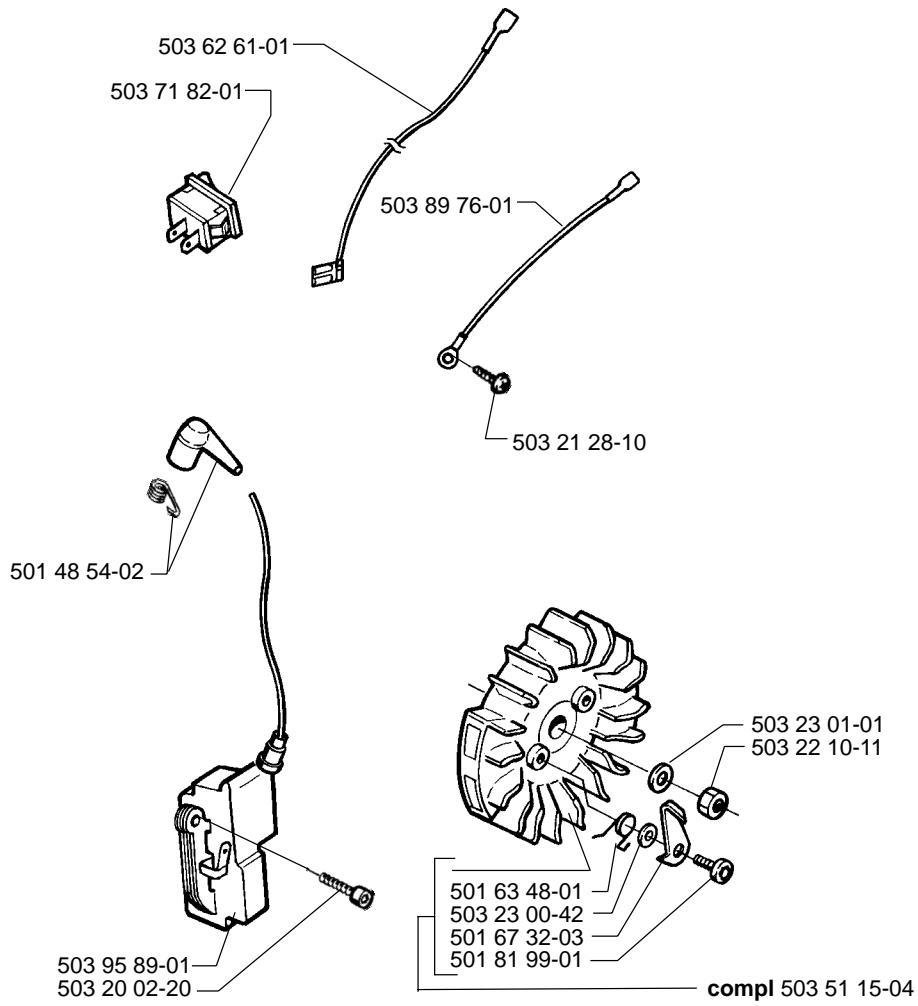
**H**

\*compl 503 62 68-76

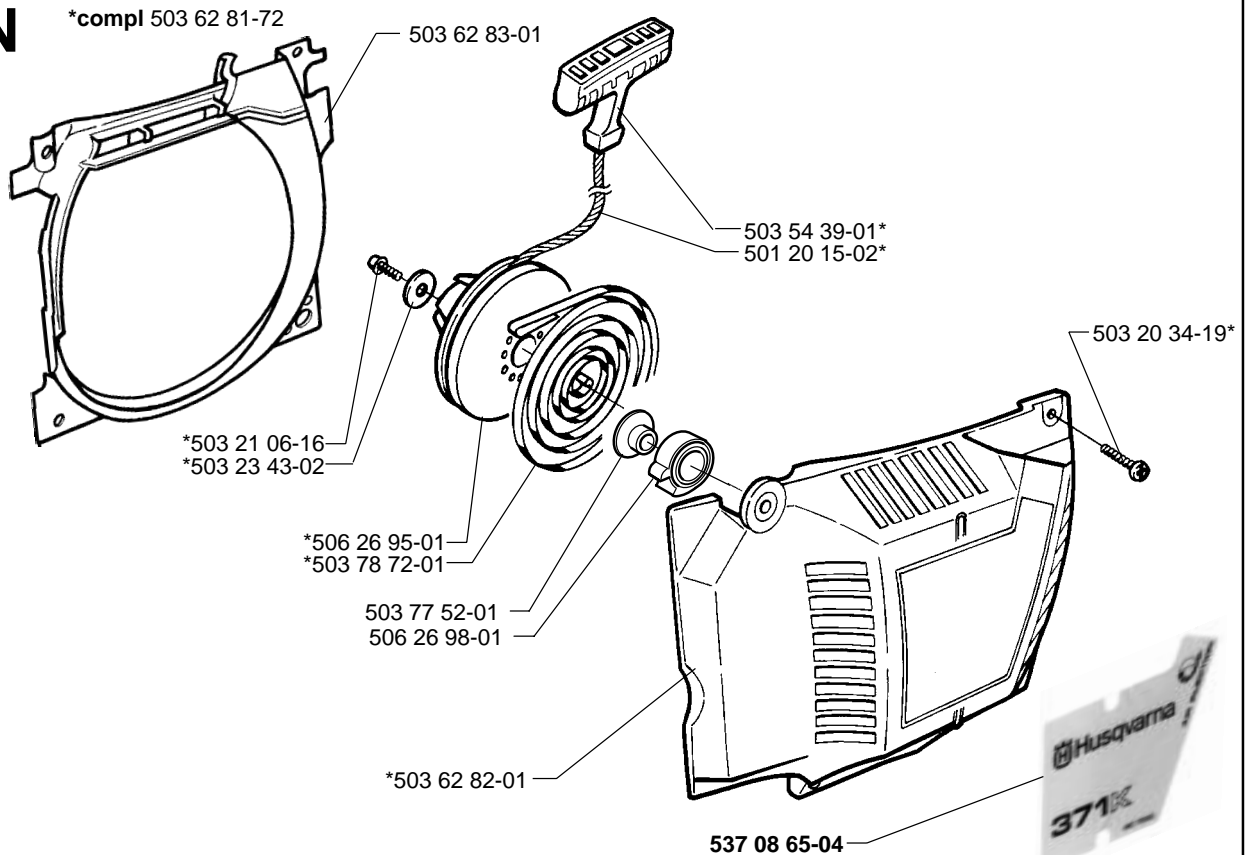




**M**



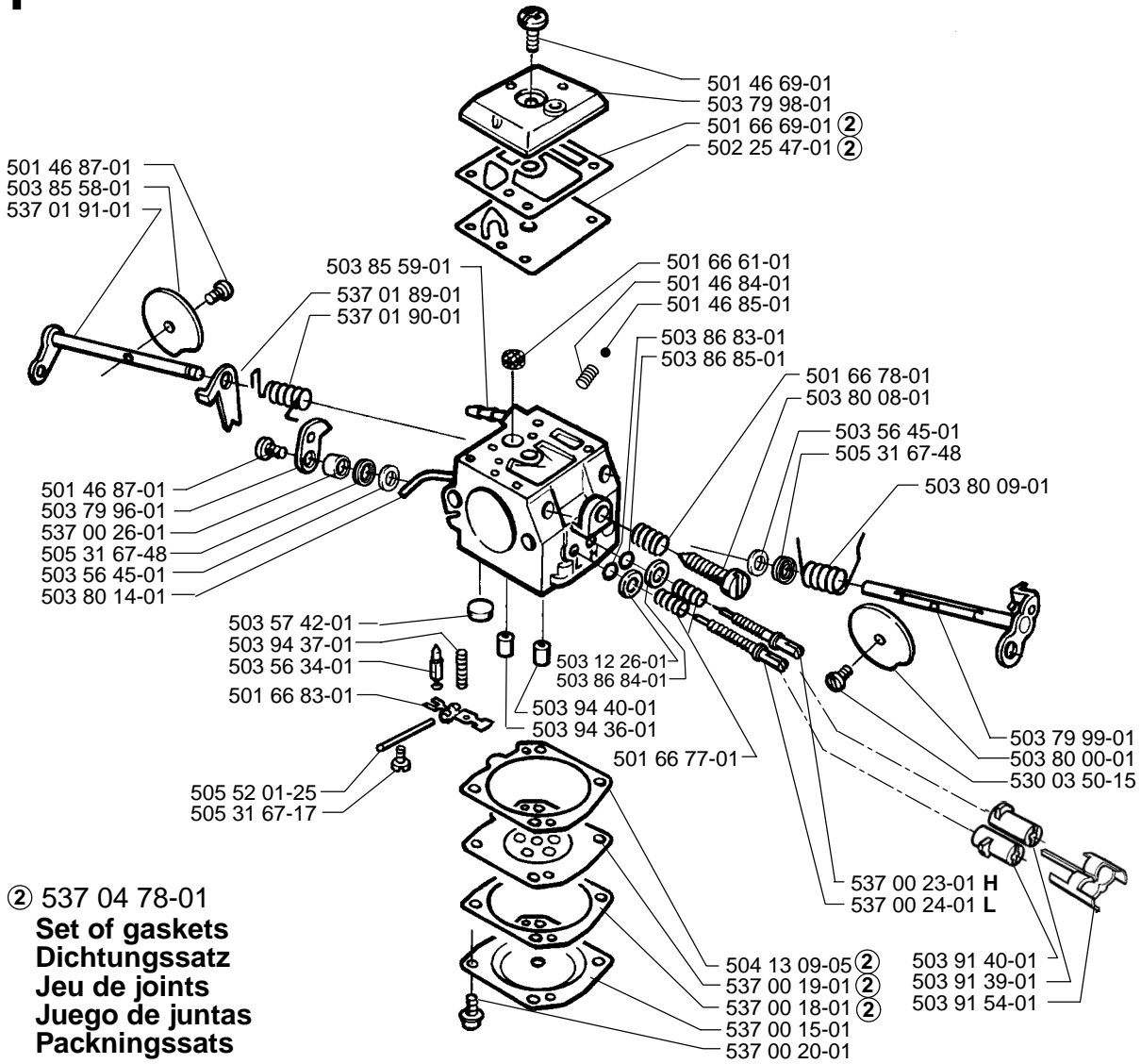
**N**



**P**

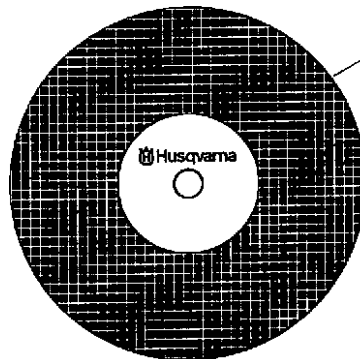
compl 503 28 18-02

**Walbro HD-20 B**

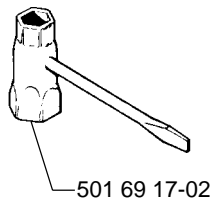


**Q**

**Accessories**  
**Zubehöre**  
**Accessories**  
**Accessorios**  
**Tillbehör**

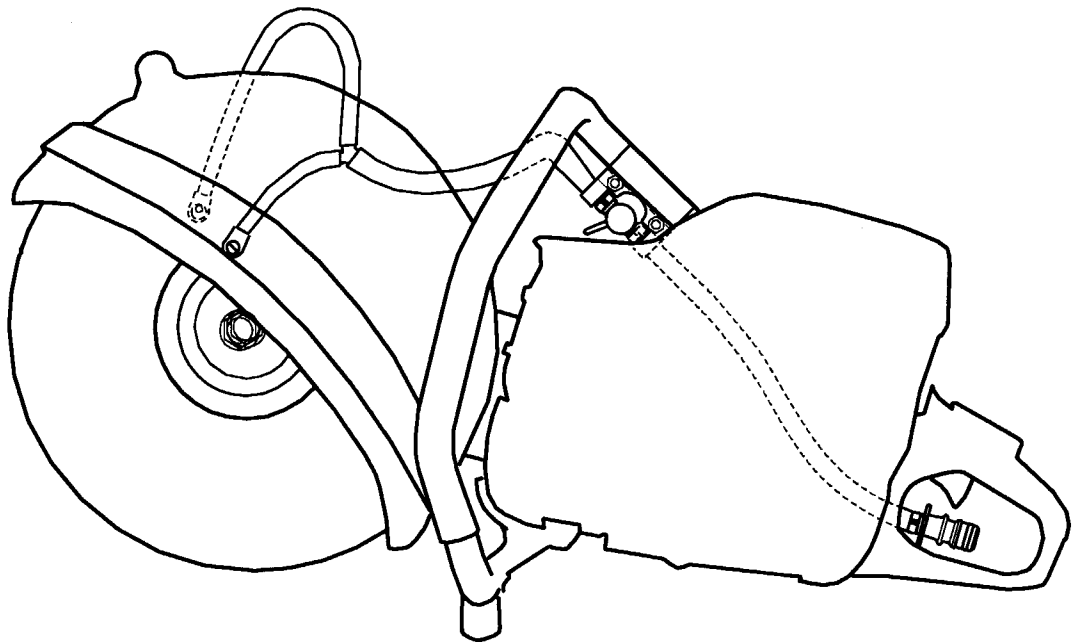
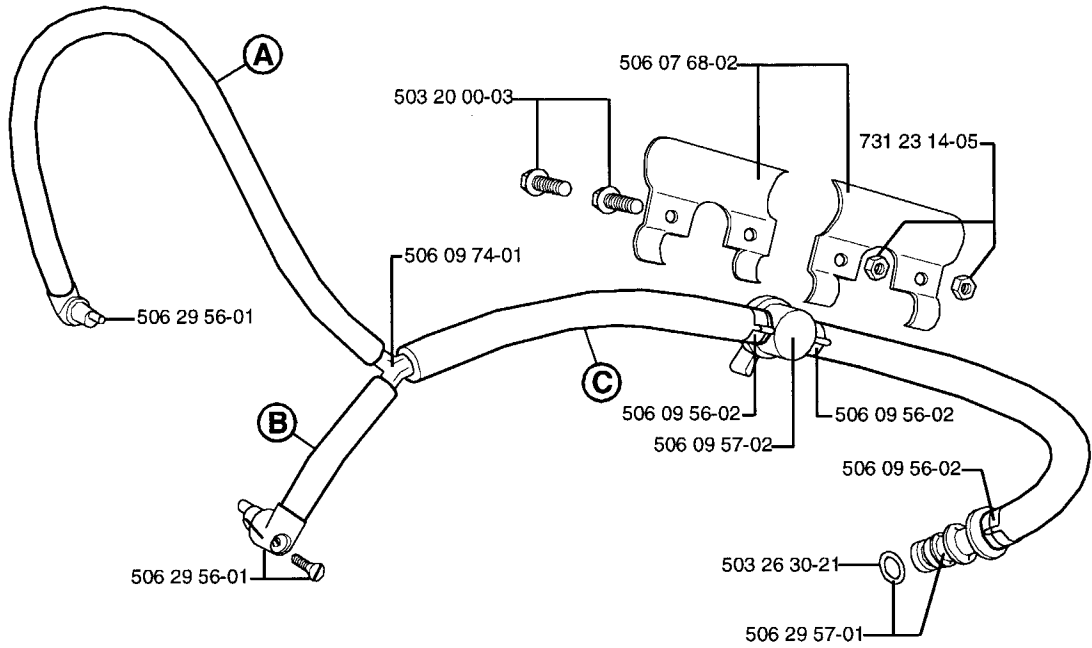


506 29 73-02 12" (300/20)  
506 29 73-04 14" (350/20)



**R**

**Wet cutting kit**  
506 29 30-13



Husqvarna Power Cutter		A	B	C
268/272K	12"	260	50	370
268/272K	14"	310	50	370
371K	12"	180	50	290
371K	14"	230	50	290
3120K	14"	230	50	340
3120K	16"	290	50	340



# For Husqvarna Parts Call 606-678-9623 or 606-561-4983

MODEL 371 K EPA

PART NUMBER	SQUARE	NOTE	PART NUMBER	SQUARE	NOTE	PART NUMBER	SQUARE	NOTE	PART NUMBER	SQUARE	NOTE
501 20 15-02		N	503 57 42-01		P	505 31 67-17		P	506 29 56-01		R
501 27 08-01		H	503 57 76-02		J	505 31 67-48		P	506 29 57-01		R
501 46 69-01		P	503 57 89-01		J	505 52 01-25		P	506 29 73-02		Q N
501 46 84-01		P	503 60 04-01		J	506 02 85-64		A	506 29 73-04		Q N
501 46 85-01		P	503 62 61-01		M	506 02 87-01		A	530 03 50-15		P
501 46 87-01		P	503 62 68-76		H N	506 03 88-01		A	537 00 15-01		P
501 48 54-02		M	503 62 72-01		H 1	506 03 95-20		A	537 00 18-01		P 2
501 63 48-01		M	506 62 73-03		H N	506 03 95-22		A	537 00 19-01		P 2
501 66 61-01		P	503 62 77-01		H	506 03 95-25		A	537 00 20-01		P
501 66 69-01		P 2	503 62 81-72		N	506 07 05-20		A	537 00 23-01		P
501 66 77-01		P	503 62 82-01		N	506 07 08-01		A	537 00 24-01		P
501 66 78-01		P	503 62 83-01		N	506 07 68-02		R	537 00 26-01		P
501 66 83-01		P	503 63 75-03		L	506 09 56-02		R	537 01 89-01		P
501 67 32-03		M	503 63 76-02		J	506 09 57-02		R	537 01 90-01		P
501 69 17-02		Q	503 64 72-01		1 COMPL	506 09 74-01		R	537 01 91-01		P
501 81 57-01		H N	503 66 74-01		G	506 13 95-11		A N	537 04 03-01		H N
501 81 96-02		J	503 67 86-01		H	506 13 96-01		A	537 04 78-01		P 2 COMPL
501 81 99-01		M	503 68 41-01		G	506 14 32-01		A	537 08 65-04		N N
501 87 31-01		J	503 70 11-01		G	506 14 43-01		L	720 12 40-20		J
502 21 58-01		Q	503 71 27-01		G	506 14 90-01		L	720 12 72-20		J
502 25 47-01		P 2	503 71 32-74		J	506 26 17-61		C	725 53 05-55		G
503 12 26-01		P	503 71 53-01		D	506 26 18-01		C	725 53 29-55		A
503 20 00-03		R	503 71 76-01		J	506 26 19-01		C	725 53 31-55		A
503 20 00-45		A	503 71 82-01		M	506 26 34-01		C	725 53 33-55		D
503 20 02-10		FH	503 72 91-73		E	506 26 41-01		J	725 53 70-55		F
503 20 02-12		ACHL	503 73 44-01		H	506 26 62-04		A	731 23 14-05		R
503 20 02-16		BF	503 73 64-01		J	506 26 63-01		A	732 21 14-01		L
503 20 02-20		HM	503 74 43-01		B	506 26 64-01		A	737 43 12-00		D
503 20 02-40		AL	503 74 44-01		B	506 26 65-01		A	738 22 02-25		E
503 20 02-60		C	503 74 93-01		H	506 26 66-01		A			
503 20 08-32		H	503 75 18-01		H N	506 26 68-01		A			
503 20 30-11		A	503 76 53-01		F	506 26 70-02		A			
503 20 34-19		N	503 76 65-02		F N	506 26 71-01		A			
503 20 34-30		C	503 77 52-01		N	506 26 78-02		A			
503 21 05-22		L	503 77 58-02		D N	506 26 79-02		A			
503 21 06-16		LN	503 77 59-01		D 1	506 26 81-01		A			
503 21 06-30		L N	503 77 91-01		E	506 26 84-01		B N			
503 21 06-32		L N	503 78 72-01		N	506 26 88-01		G			
503 21 28-10		M	503 79 14-01		H	506 26 89-01		C			
503 21 45-16		J	503 79 96-01		P	506 26 90-01		C			
503 22 00-01		AB	503 79 98-01		P	506 26 91-01		C			
503 22 10-11		M	503 79 99-01		P	506 26 92-01		H			
503 22 65-03		G	503 80 00-01		P	506 26 93-01		L			
503 22 65-04		HL	503 80 08-01		P	506 26 94-01		L			
503 22 66-01		A	503 80 09-01		P	506 26 95-01		N			
503 23 00-42		M	503 80 14-01		P	506 26 96-01		J			
503 23 01-01		M	503 82 98-01		J	506 26 97-01		H			
503 23 01-04		A	503 84 61-01		H	506 26 98-01		N			
503 23 01-09		B	503 85 58-01		P	506 26 99-01		G			
503 23 01-15		B	503 85 59-01		P	506 27 02-01		B			
503 23 43-02		N	503 85 73-01		H	506 27 03-01		B			
503 23 51-08		D	503 86 83-01		P	506 27 08-01		A			
503 25 21-01		A	503 86 84-01		P	506 27 11-01		J			
503 25 53-01		B	503 86 85-01		P	506 27 15-01		B N			
503 25 56-01		DE N	503 89 56-02		J	506 27 16-01		B			
503 26 03-01		H	503 89 76-01		M	506 27 94-02		A			
503 26 30-17		J	503 90 99-01		D 1	506 28 39-03		C			
503 26 30-19		E	503 91 39-01		P	506 28 41-01		A			
503 26 30-21		R	503 91 40-01		P	506 28 41-02		A			
503 28 18-02		GP	503 91 54-01		P	506 28 41-04		A			
503 28 90-36		D	503 93 92-71		D	506 28 41-11		A			
503 40 06-06		G	503 93 93-72		D N	506 28 41-12		A			
503 43 18-01		G	503 94 36-01		P	506 28 41-14		A			
503 51 15-04		M	503 94 37-01		P	506 28 44-01		A			
503 54 39-01		N	503 94 40-01		P	506 28 73-01		A			
503 55 22-01		D	503 95 89-01		M	506 28 75-02		B			
503 55 66-01		J	503 96 45-01		G	506 28 76-01		B			
503 56 00-04		G	503 96 70-01		H N	506 28 84-01		A			
503 56 34-01		P	504 13 09-05		P 2	506 29 20-01		H			
503 56 45-01		P	505 27 57-19		H	506 29 30-13		R			

1 = 503 64 72-01  
2 = 537 04 78-01

Set of gaskets  
Dichtungssats  
Jeu de joints  
Juego de juntas  
Packningssats

N = New part  
Neues teil  
Nouvelle piece  
Nueva pieza  
Ny detalj

EPA = Environmental Protection Agency  
(for USA only)