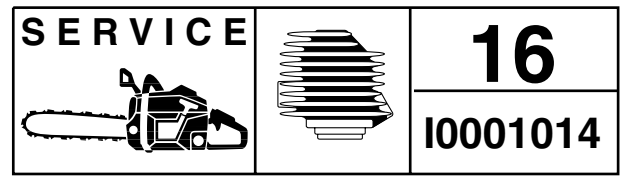


For Husqvarna Parts Call 606-678-9623 or 606-561-4983



IPL, 225 HBV, 2000-01, 106 24 38-63

225 HBV

Includes "Lite" Version

Spare parts

Replaces

Ersatzteile

Ersetzt

Pièces détachées

Remplace

Reserve onderdelen

Vervangt

Repuestos

Reemplaza

Reservdelar

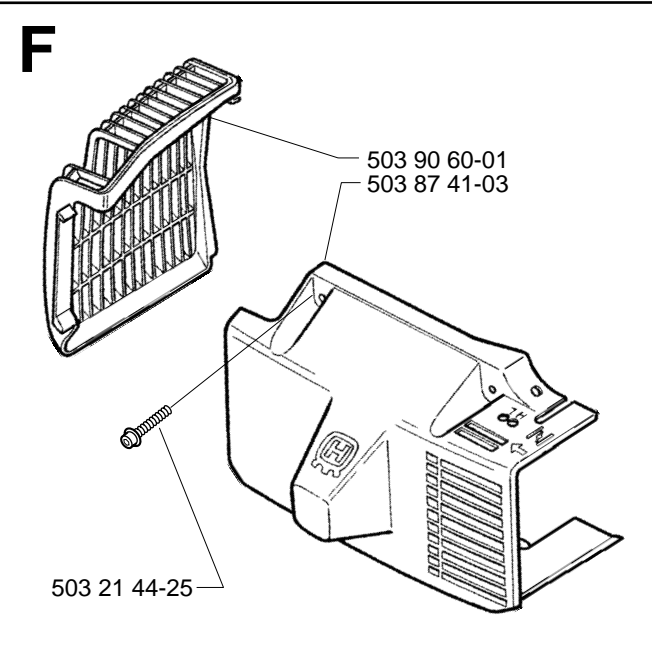
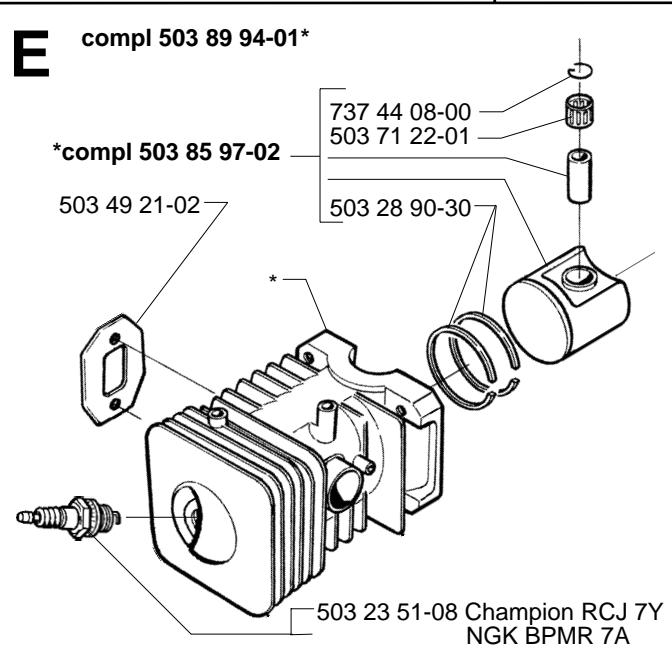
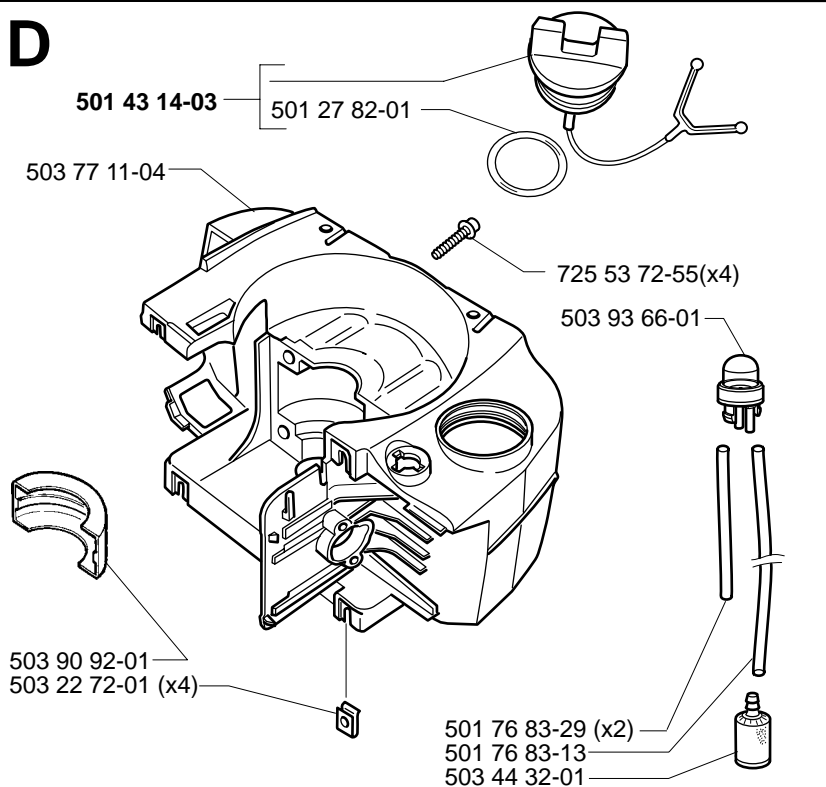
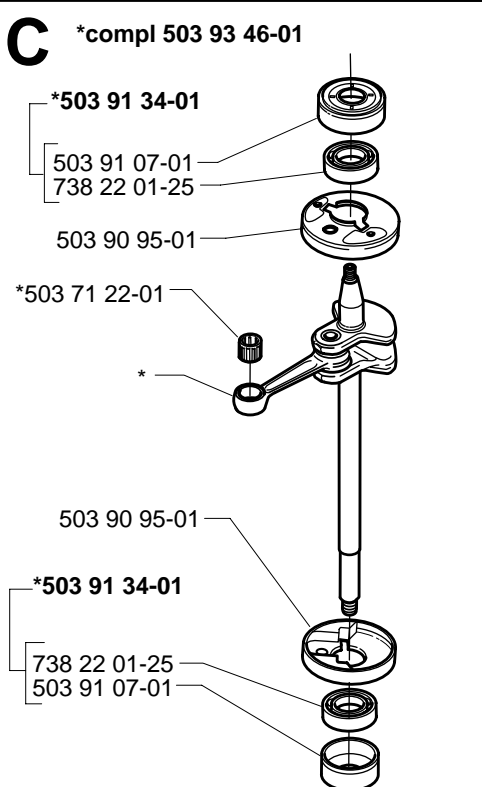
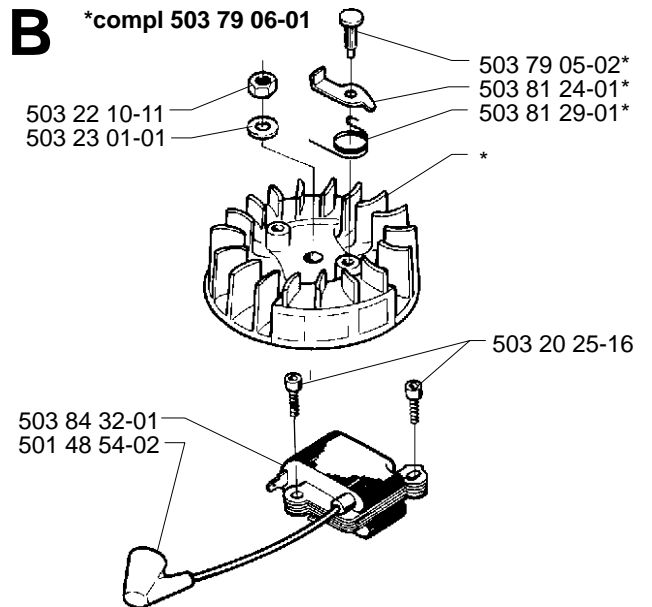
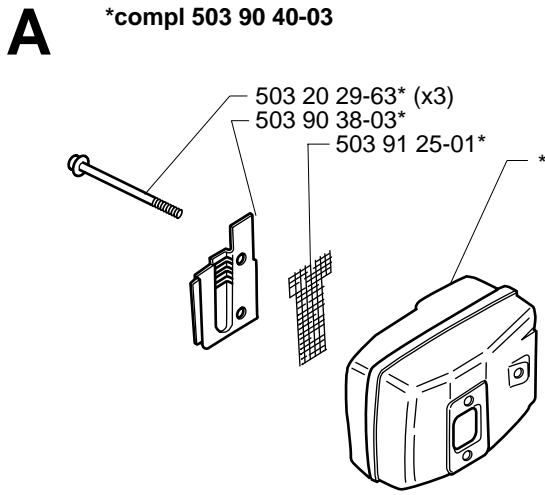
Ersätter

106 24 38-62

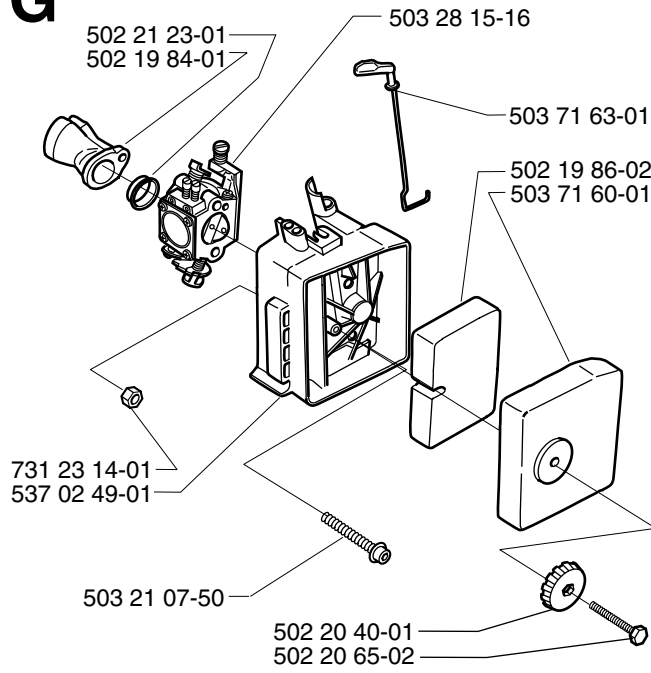
106 24 38-63

For Husqvarna Parts Call 606-678-9623 or 606-561-4983

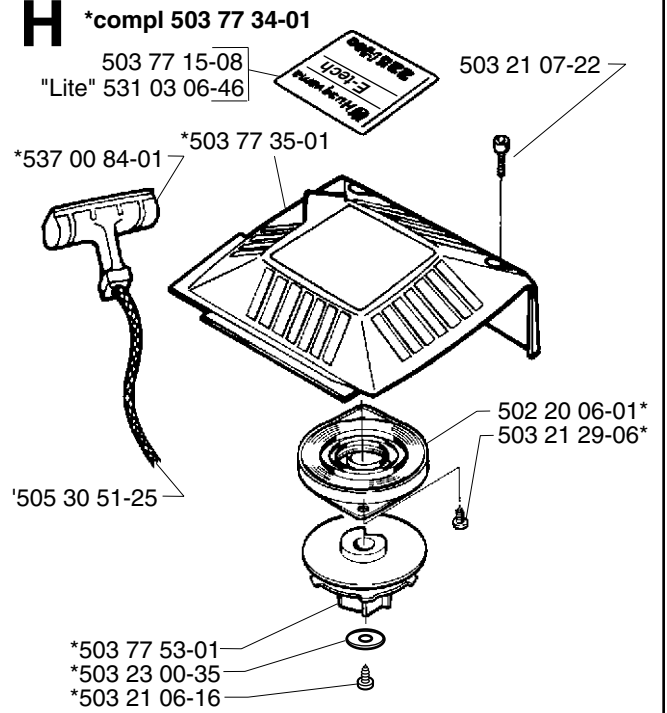
PART NUMBER	SQUARE	NOTE	PART NUMBER	SQUARE	NOTE	PART NUMBER	SQUARE	NOTE	PART NUMBER	SQUARE	NOTE
501 27 82-01	D		503 79 05-02	B		530 09 53-56	L				
501 43 14-03	D		503 79 06-01	B		531 03 02-05	J	N			
501 46 69-01	M		503 79 41-01	J		531 03 03-77	L				
501 46 84-01	M		503 81 24-01	B		537 00 84-01	H				
501 46 85-01	M		503 81 29-01	B		537 02 49-01	G				
501 46 87-01	M		503 84 22-01	L		725 53 72-55	D				
501 46 87-01	M		503 84 23-01	K		731 23 14-01	G				
501 46 87-01	M		503 84 32-01	B		737 44 08-00	E				
501 48 54-02	B		503 85 92-01	K		738 22 01-19	L				
501 66 61-01	M		503 85 97-02	E		738 22 01-25	C				
501 66 78-01	M		503 86 43-01	M		738 22 01-25	C				
501 76 83-13	D		503 87 41-03	F							
501 76 83-29	D		503 87 43-01	J							
502 10 30-01	M		503 87 61-01	K							
502 10 31-01	M		503 89 67-01	M							
502 11 96-01	M		503 89 78-01	K							
502 19 84-01	G		503 89 94-01	E							
502 19 86-02	G		503 90 38-03	A							
502 19 90-03	J		503 90 40-03	A							
502 19 91-05	J		503 90 60-01	F							
502 19 92-01	J		503 90 92-01	D							
502 19 94-01	J		503 90 95-01	C							
502 20 06-01	H		503 90 95-01	C							
502 20 40-01	G		503 91 07-01	C							
502 20 65-02	G		503 91 07-01	C							
502 21 23-01	G		503 91 25-01	A							
502 21 33-01	M		503 91 34-01	C							
502 21 34-01	M		503 91 34-01	C							
502 21 35-01	M		503 91 39-01	M							
502 21 37-01	M		503 91 40-01	M							
503 10 47-01	M		503 91 51-01	M							
503 10 87-01	M		503 91 54-01	M							
503 11 70-01	M		503 91 57-01	M							
503 20 02-35	J		503 91 58-01	M							
503 20 25-16	B		503 92 23-01	M							
503 20 29-63	A		503 93 46-01	C							
503 21 06-16	H		503 93 66-01	D							
503 21 06-25	L		503 99 44-01	M							
503 21 07-16	K		503 99 46-01	M							
503 21 07-16	K		503 99 47-01	M							
503 21 07-22	H		503 99 48-01	M							
503 21 07-22	J		504 13 08-07	M							
503 21 07-50	G		504 13 09-06	M							
503 21 29-06	H		504 21 00-49	M							
503 21 44-25	F		504 21 00-50	M							
503 22 10-11	B		505 30 51-25	H							
503 22 65-04	J		505 31 67-17	M							
503 22 72-01	D		505 31 67-54	M							
503 23 00-35	H		505 31 67-82	M							
503 23 01-01	B		505 52 01-10	M							
503 23 51-08	E		505 52 01-25	M							
503 28 15-16	G		505 52 01-27	M							
503 28 15-16	M		506 02 81-01	M							
503 28 90-30	E		530 00 17-33	L							
503 44 32-01	D		530 01 56-47	L							
503 49 21-02	E		530 01 56-67	L							
503 52 42-01	M		530 01 56-72	L							
503 57 42-01	M		530 01 58-14	L							
503 71 22-01	C		530 01 58-14	L							
503 71 22-01	E		530 01 91-67	L							
503 71 60-01	G		530 02 91-18	L							
503 71 63-01	G		530 02 91-73	L							
503 71 82-01	J		530 03 51-73	M							
503 74 16-01	N		530 04 94-45	L							
503 74 16-02	N		530 04 94-46	L							
503 77 11-04	D		530 04 94-47	L							
503 77 15-08	H		530 04 94-48	L							
503 77 34-01	H		530 04 94-49	L							
503 77 35-01	H		530 09 49-68	L	N						
503 77 53-01	H		530 09 53-55	L							



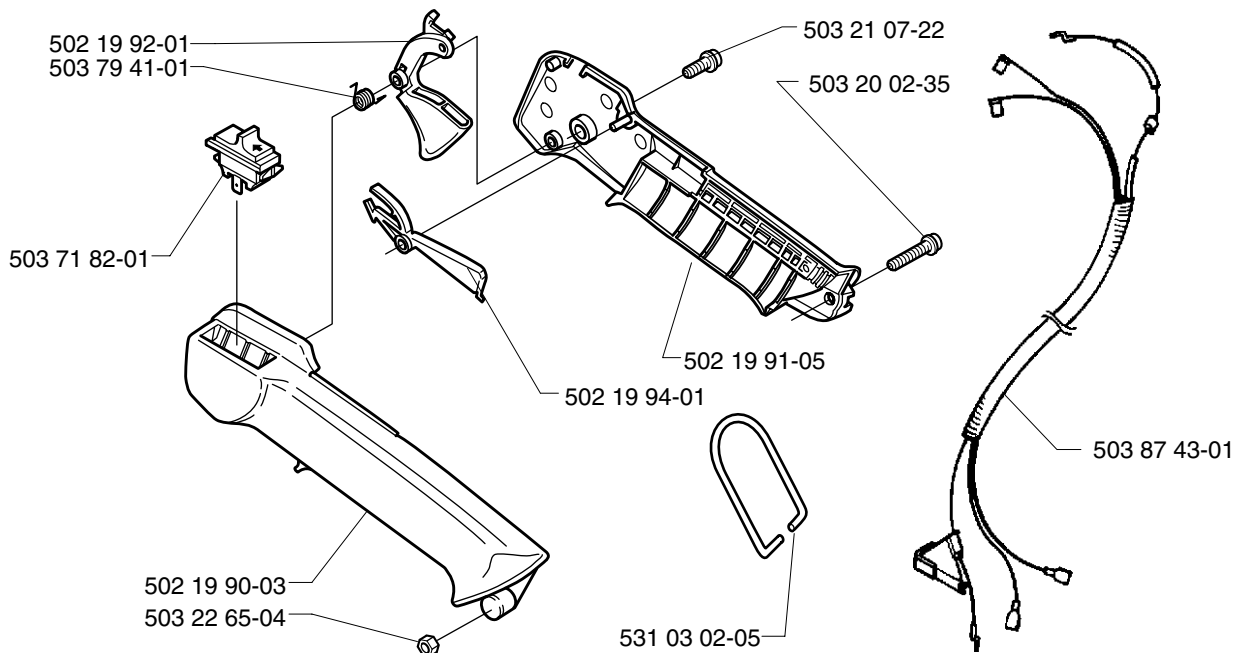
G



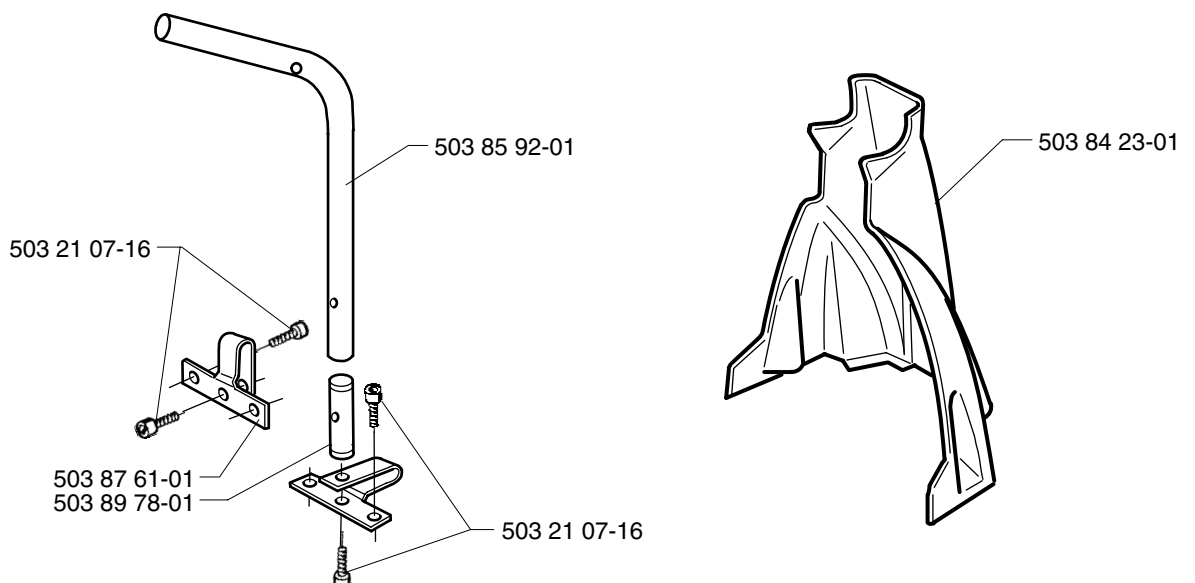
H



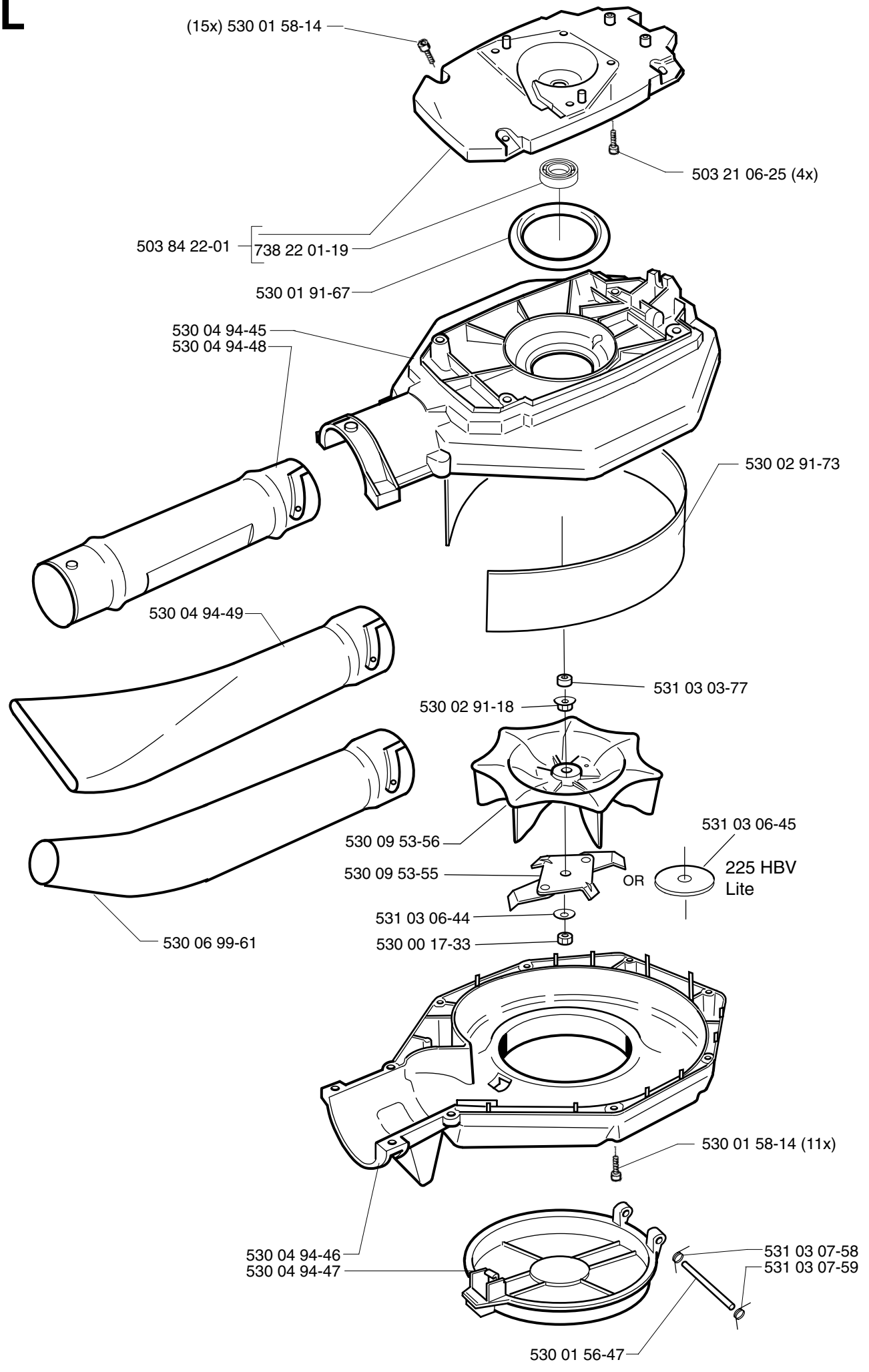
J



K

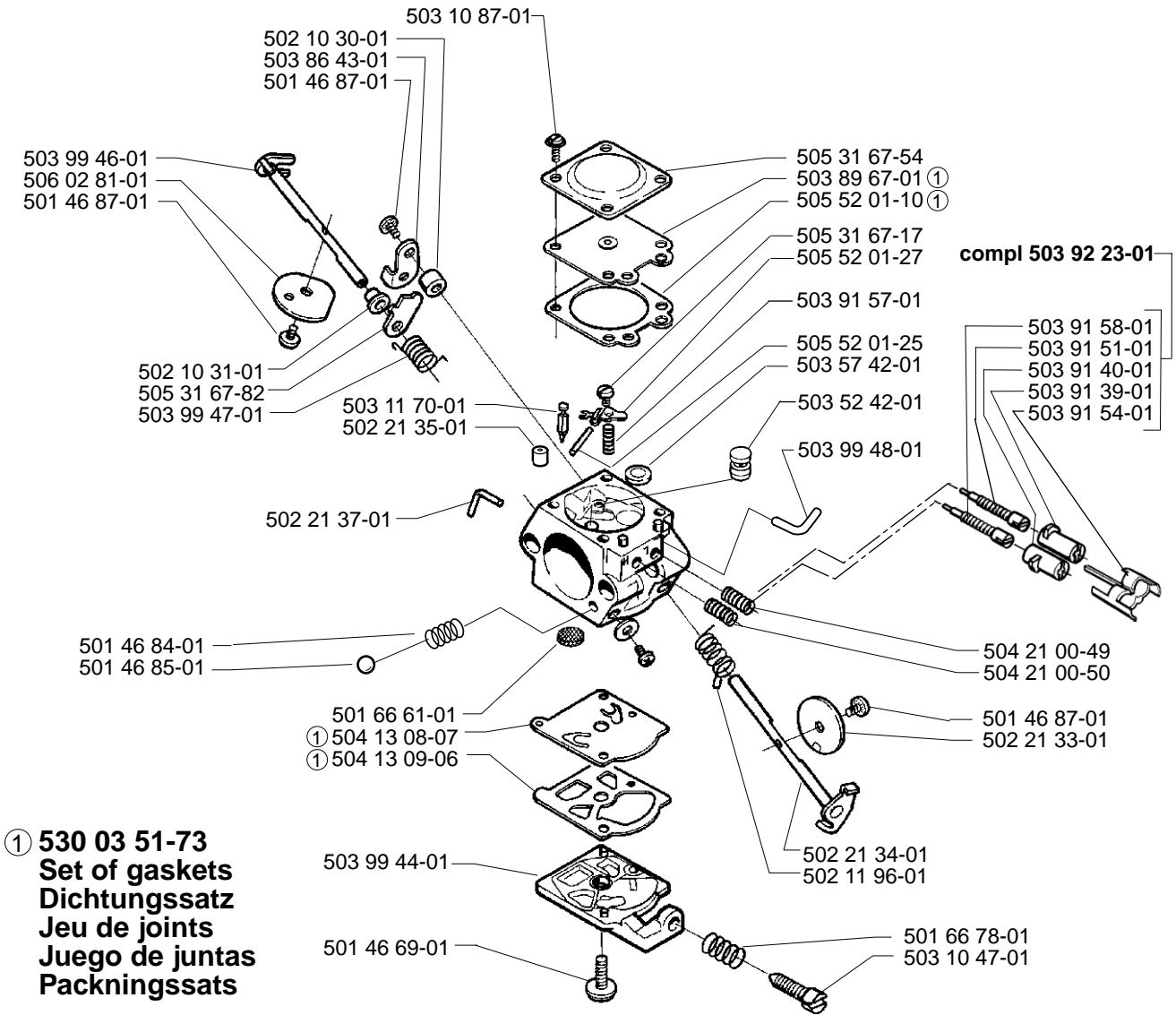


L



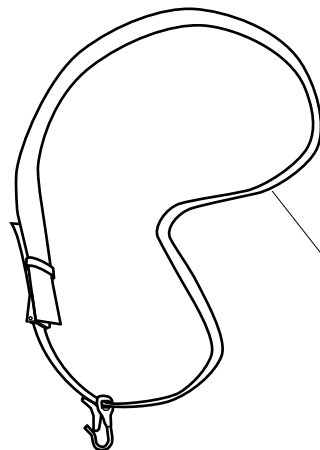
M

compl 503 28 15-16 Walbro WT 500B



N

Accessories
Zubehöre
Accessoires
Acessorios
Tillbehör



503 74 16-01
503 74 16-02 (USA)