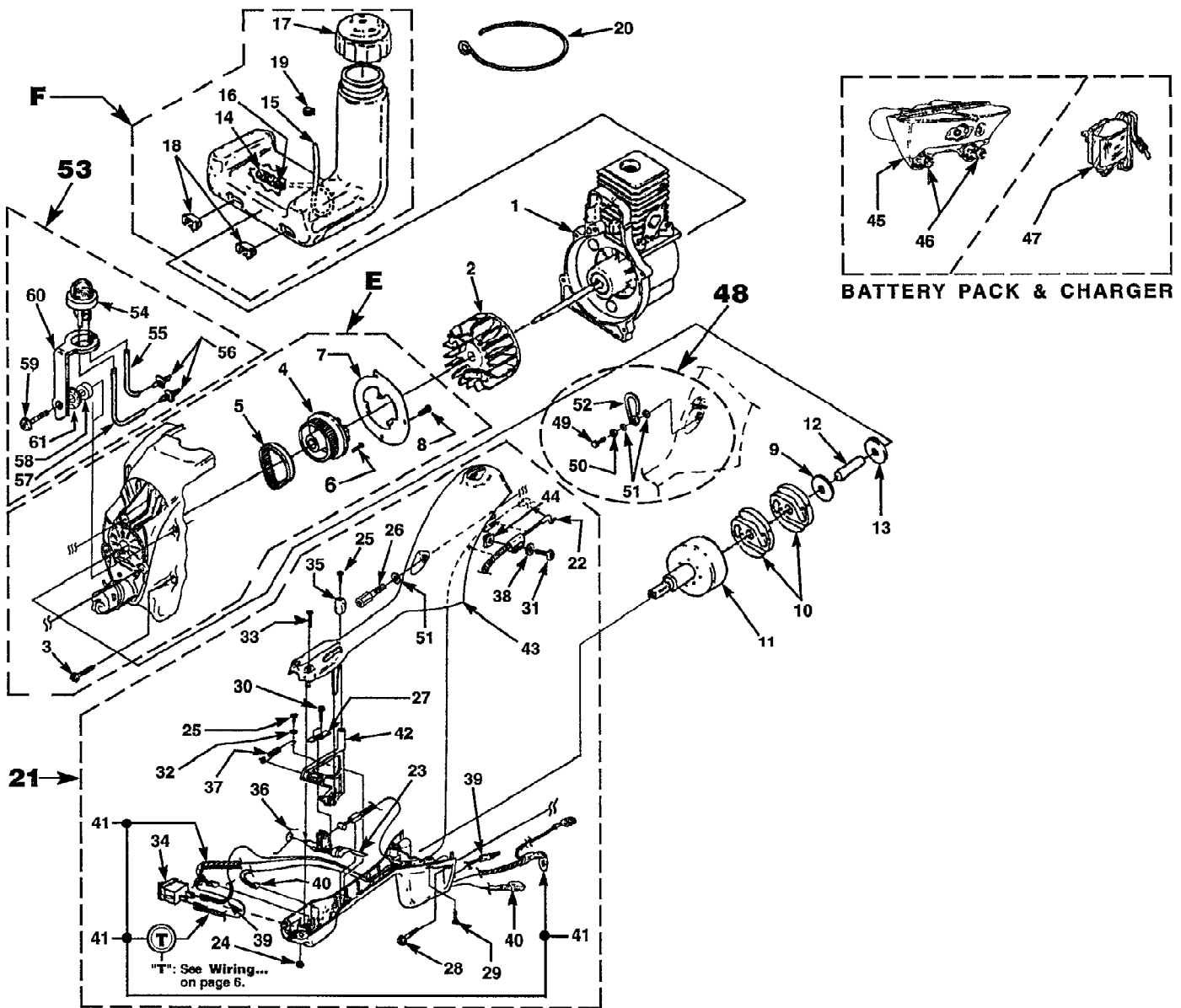


z725se String Trimmer UT-20618
Clutch, Starter, Engine Peripherals



z725se String Trimmer UT-20618
Clutch, Starter, Engine Peripherals

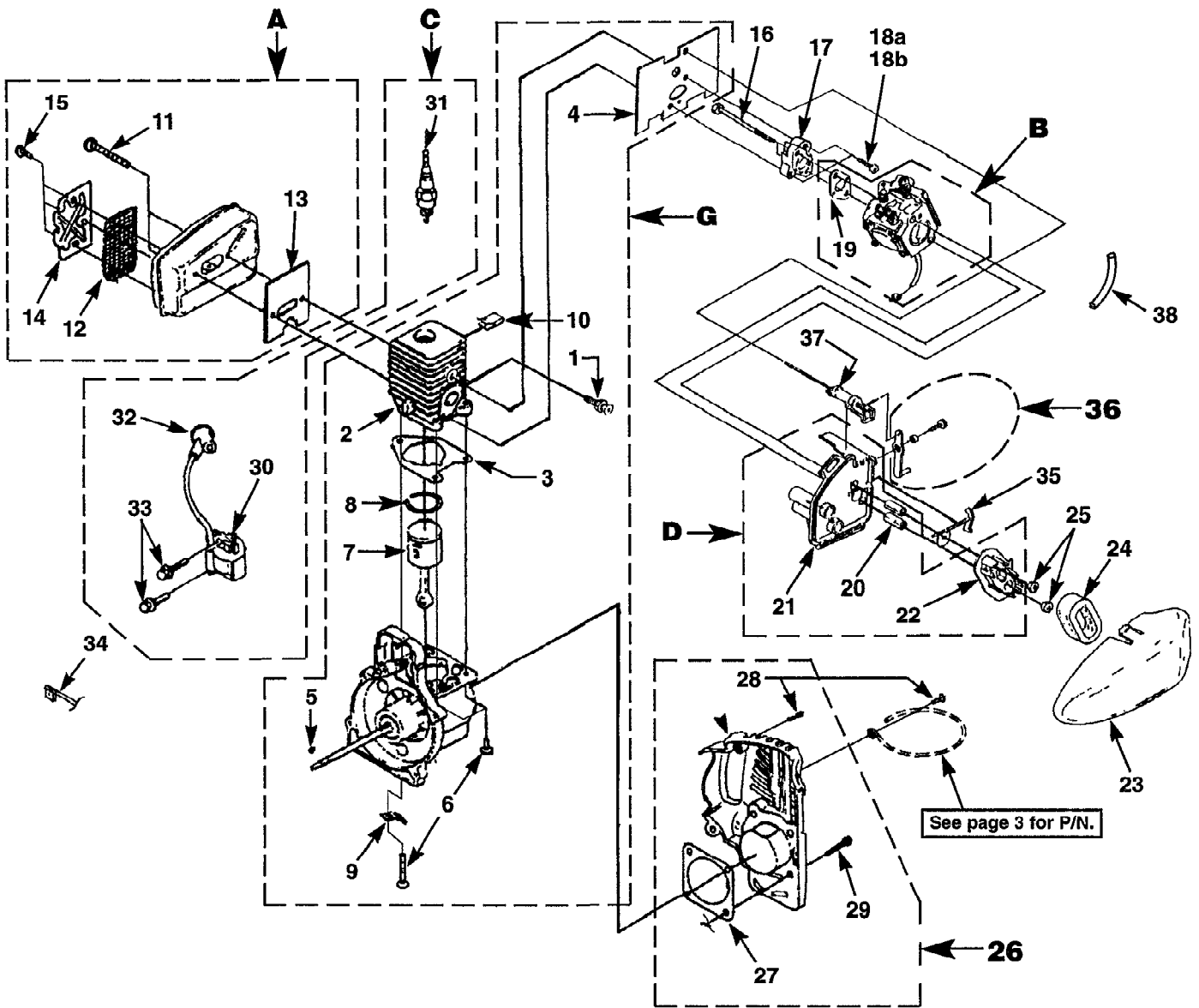
Page 2 of 8

Ref #	Part Number	Qty	S/P/F	Description
1		1		SHORT BLOCK See "Engine" illustration and parts list items 1-10 for parts breakdown.
2	A041581	1		ROTOR w/Starter Pawls
E	A07168A	1		COMPLETE STARTER ASSEMBLY
3	82538	4	/P	SCREW-Thread Form. (10-24 X 3/4")
4	06533	1		PULLEY-Starter
5	06534	1		BELT-Starter
6	82540	3	/P	SCREW- Thread Forming (8-32 X 1")
7	06723	1	S	BAFFLE
8	07183	1	S	SCREW-Plastite (8-16 1/2")
9	98929A	1	S/P	WASHER-Flat
10	00242	2	/P	CLUTCH
11	A03485A	1	S	CONNECTOR & DRUM
12	035662A	1	S	SPACER
13	95479A	1	/P	WASHER
F	A07170A	1	S	FUEL TANK COMPLETE
14	49422	1	S	FILTER-Fuel
15	9477220	1	S	TUBING-Rubber (5")
16	98268	1	S/P	CLAMP-Wire
17	DA06486	1	S	FUEL CAP
18	98792	4	/P	BUMPER-Rubber
19	02067	1	/P	FITTING-In Line Fuel
20	07183	1	S	SUPPORT WIRE
21	A07177A	1	/P	CLUTCH HOUSING & CONTROL HANDLE
22	06548A	1	S	CABLE-Throttle
23	06547	1		TRIGGER
24	81208	2	/P	NUT-Hex (10-24)
25	82401	2		SCREW-Thread Forming (#4-20 X 1/4")
26	07517	1	S	SCREW-Adaptor (Also included with #48)
27	06912	1		RETAINER
28	82556	2	/P	SCREW-Torx Truss Hd. (#10-24 X 1 1/4")
29	82563	2	/P	SCREW-Thread Forming (#10-14 X 1/2")
30	82564	2	S	SCREW-Thread Forming (#6-20 X 1/2")
31	82612	1	/P	SCREW-Socket Head
32	84025	1	/P	WASHER
33	82606	2		SCREW-Truss Hd. (#10-24 X 1 7/8")
34	07919	1	/P	SWITCH-Rocker (Domestic)
	07920	1	S	SWITCH-Rocker (International)
35	06913	1	/P	KNOB-Starter Lever
36	07071	1		SPRING-Torsion
37	07075A	1	/P	SPRING-Extension
38	841031	1		WASHER-Flat
39	A07190A	1		LEAD-Electrical
40	A06725	1		LEAD-Electrical
41	A06724B	1		LEAD-Electrical
42	A07020A	1	/P	STARTER LEVER w/BAR
43	065381	1		CLUTCH HOUSING (Top)
44	81289	1		NUT-Tinnerman
45	DA06965	1	S	BATTERY PACK
46	A06971	2		KNOB-Battery Pack
47	D06550	1	/P	CHARGER-Battery Pack
48	A07560	1		HANGER KIT (Also includes #26)
49	80648	1	/P	SCREW

z725se String Trimmer UT-20618
Clutch, Starter, Engine Peripherals

Page 3 of 8

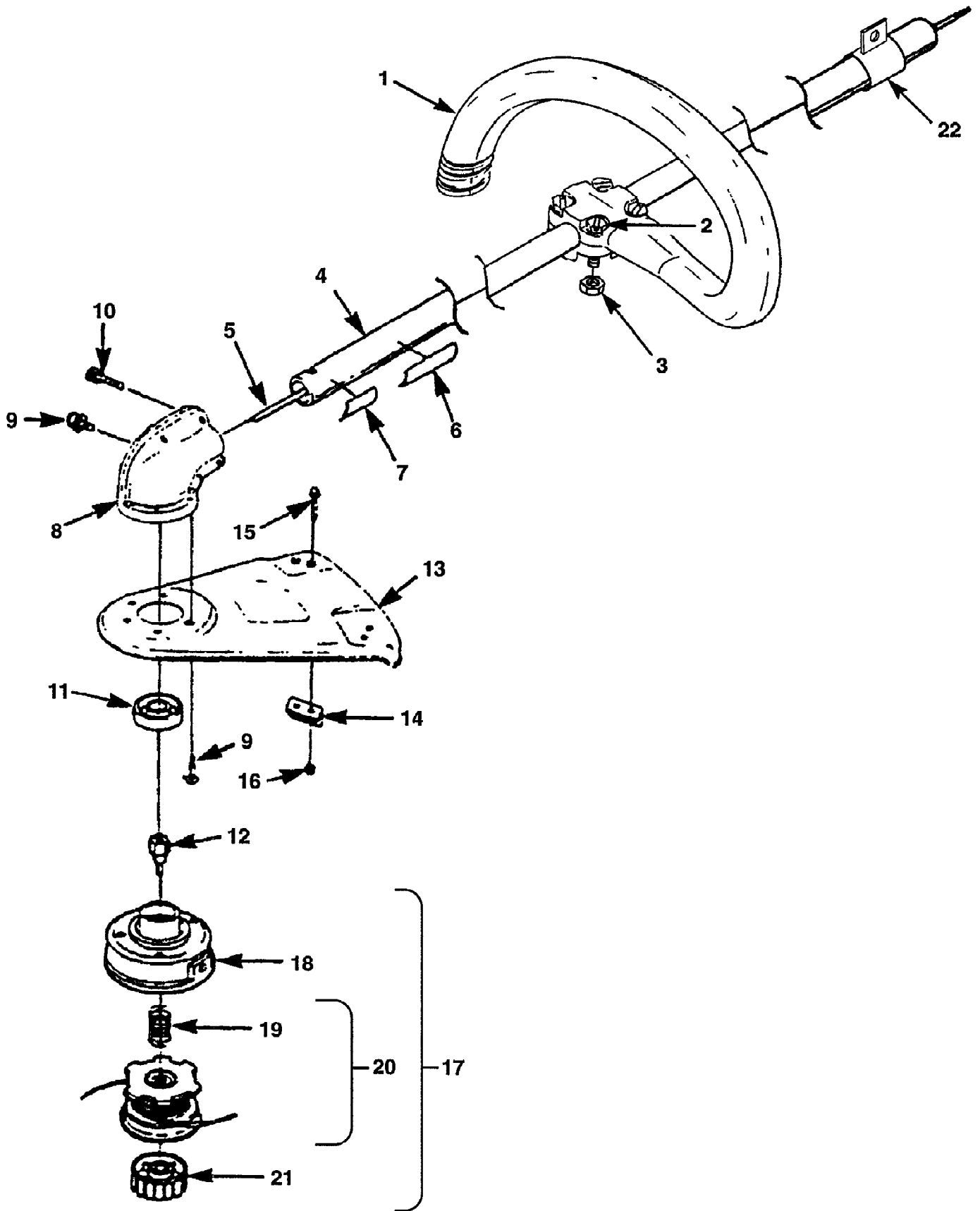
Ref #	Part Number	Qty	S/P/F	Description
50	83046	1		WASHER-Lock
51	84003	3	/P	WASHER
52	07516	1	/P	HANGER
53	A07927	1	S	START ASSIST BUTTON KIT
54	07916	1	S	BUTTON-Start Assist
55	0143908	1		LINE-Fuel (2.0") (5,0cm)
56	02067	2	/P	FITTING-Fuel Line
57	0143910	1	/P	LINE-Fuel (2.5") (6,5cm)
58	07915	1	S	SPACER
59	82549	1		SCREW- (10-24 x 1.00")
60	07913	1	S	BRACKET
61	08218	1		WASHER-External Lock



z725se String Trimmer UT-20618
Engine

Page 5 of 8

Ref #	Part Number	Qty	S/P/F	Description
G	A07166	1	S	SHORT BLOCK (25CC)
1	06488	1		COMPRESSION RELEASE VALVE
2	A07167	1	S	25CC CYLINDER KIT
3	04388B	1	S/P	GASKET-Cylinder
4	07615	1	S	GASKET-Heat Dam (Also includes #'s 13 & 27)
5	69250	1	/P	KEY-Woodruff
6	826091	3		SCREW-Thread Form. (10-24 X 7/8")
7	A07314	1	S	25CC PISTON ROD
8	96935	1	S	RING-Piston
9	07193	1		TERMINAL
10	06469	1		CLIP
A	A07142	1	S	MUFFLER KIT
11	82599	2	S	SCREW-Machine (#10-24 X 2")
12	06502	1	/P	SCREEN-Spark
13	98786C	1	/P	GASKET-Muffler (Also included with #2)
14	06501	1	S	COVER
15	82600	3	/P	SCREW
16	06881	2	S	SCREW-Shoulder
17	06445	1	S	HEAT DAM
18A	825491	2	S	SCREW-Taptite (10-24 X 1")
18B	82614	2		SCREW-Taptite (10-32 X 1") (UT-20616-A, UT-20618-A and UT-20634-A only)
B	A07169	1		CARBURETOR KIT
19	987661	1	/P	GASKET-Carburetor
D	A07171	1	S	AIR FILTER BODY
20	06720	2		SPACER
21	06484	1		BODY
22	A06480	1		BLADE RET. MAGNET
23	06483	1	/P	COVER-Air Filter
24	D06485	1	S	FILTER-Air
25	81208	2	/P	NUT-Hex (10-24)
26	A07138	1	/P	CRANKCASE COVER
27	06643A	1		GASKET-Crankcase Cover (Also included with #2)
28	82563	3	/P	SCREW-Plastite (#10 X 3/4")
29	82549	4		SCREW-Taptite (10-24 X 1")
C	A07174	1	S	IGNITION KIT
30	06504A	1	/P	MODULE-Ignition
31	96169S	1	S	SPARK PLUG
32	A33055	1	/P	TERMINAL & COVER
33	82540	2	/P	SCREW-Taptite (8-32 X 1")
34	A07186	1		LEAD- Electrical
35	A06477	1		BLADE & SHAFT ASSEMBLY
36	A07172	1		BELLCRANK
37	A07173	1		CHOKE ACTUATOR
38	9477212	1	/P	TUBING-Rubber (3")



z725se String Trimmer UT-20618
Shaft & Head

Page 7 of 8

Ref #	Part Number	Qty	S/P/F	Description
1	A07137	1	S	FRONT HANDLE ("G")
2	82605	4		SCREW-Hex Hd. (10-24 X 1")
3	81208	4	/P	NUT-Hex (10-24)
4	A07525	1		HOUSING-Drive Shaft
5	98818	1	/P	SHAFT-Flexible
6	06551	1	S	DECAL-Starting Inst.
7	04154	1		DECAL-Warning
8	A04836C	1	S	GEAR HEAD
9	82590	5		SCREW-Taptite (10-24 X 1/2")
10	82298	2	S	SCREW-Hex Hd. (10-24 X 5/8")
11	04168A	1	S/P	WASHER-Flanged
12	04355	1	/P	ADAPTOR-Shaft
13	A04683A	1	/P	GRASS DEFLECTOR KIT
14	07076	1	/P	BLADE-Cut-Off
15	80869	2	/P	SCREW-Machine Hex Hd. (10-24 X 3/8")
16	81208	2	/P	NUT-Hex (10-24)
17	DA03001	1	S	STRINGHEAD COMPLETE (.080" Line)
18	A98231A	1	S/P	HOUSING & EYELET (Dual Line)
19	98848	1	S	SPRING-Compression
20	DA98912D	1	S	SPOOL & STRING (.080" Line)
21	DA98866A	1	S	RETAINER-Spool (R.H. Thread, Black)
22	07255	1	/P	HANGER

