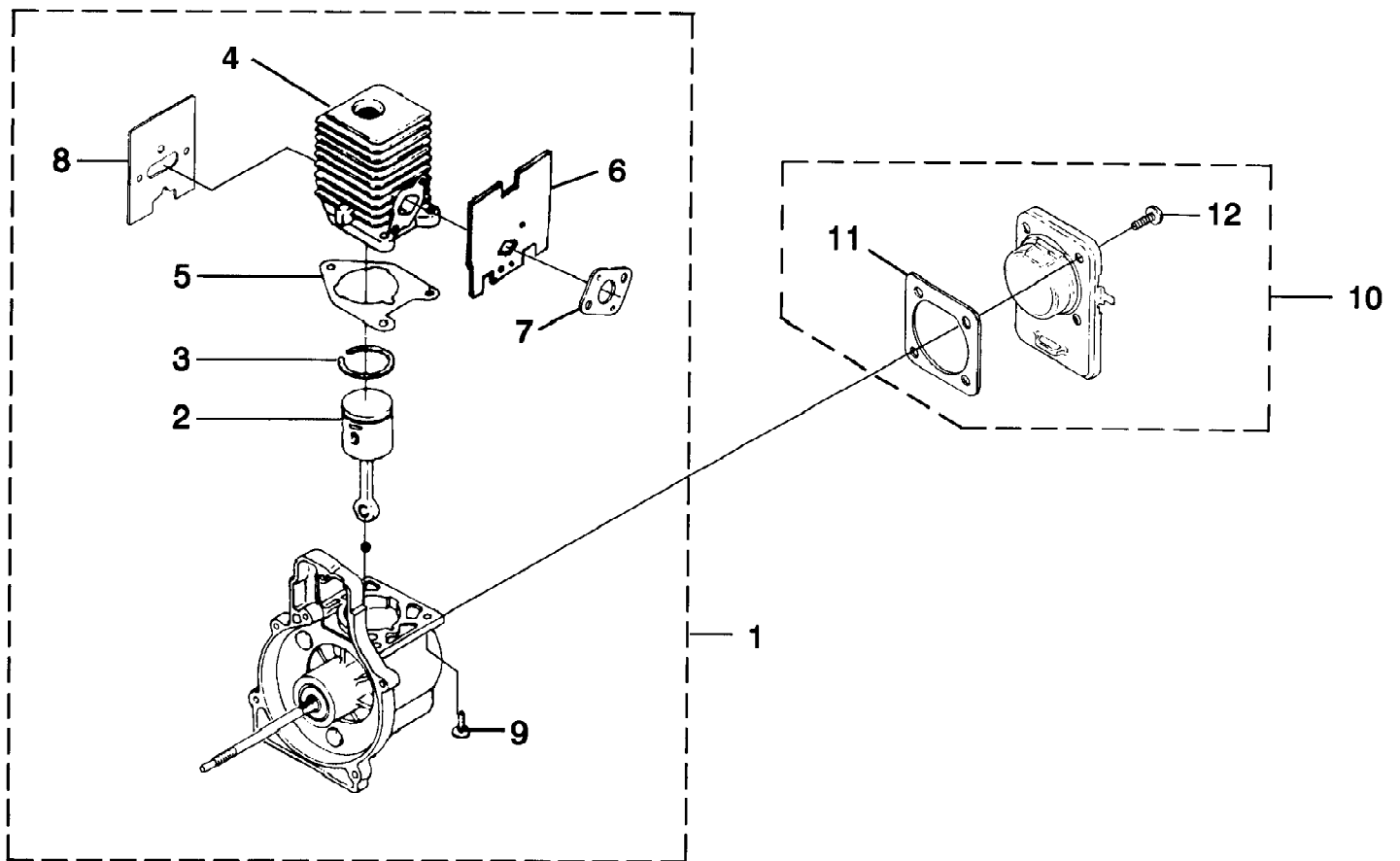


st725sc String Trimmer UT-15153
Carburetor - Fuel Tank

Page 2 of 10

| Ref # | Part Number | Qty | S/P/F | Description |
|-------|-------------|-----|-------|--|
| 1 | 06900A | 1 | /P | GASKET-Heat Dam |
| 2 | 04474 | 2 | /P | SCREW-Machine (10-24 X 2 1/4") |
| 3 | 98768A | 1 | /P | HEAT DAM |
| 4 | 093221 | 2 | S/P | SCREW-Sems (10-24 X 1") (Torque Specs 35-45 In/Lbs [4.0-5.1 Nm], Red 262 Loctite Required) |
| 5 | UP00654 | 1 | /P | CARBURETOR KIT (Incl. items 6 & &) |
| 6 | 98766A | 1 | S/P | GASKET-Carburetor |
| 7 | PS00236 | 1 | S | Lever-Choke (Zama) |
| 8 | UP00020 | 1 | S | FUEL TANK ASSY. (Incl. items 9 - 16) |
| 9 | 49422 | 1 | S | FILTER-Fuel |
| 10 | 0143918 | 1 | /P | TUBING-Rubber |
| 11 | 0143910 | 1 | /P | TUBING-Rubber |
| 12 | 9477213 | 1 | /P | TUBING-Rubber |
| 13 | A09115 | 1 | /P | FUEL CAP |
| 14 | 98792 | 3 | /P | BUMPER-Rubber |
| 15 | 02067 | 1 | /P | FITTING-Inline |
| 16 | 98268 | 1 | S/P | CLAMP |

st725sc String Trimmer UT-15153
Engine Internal

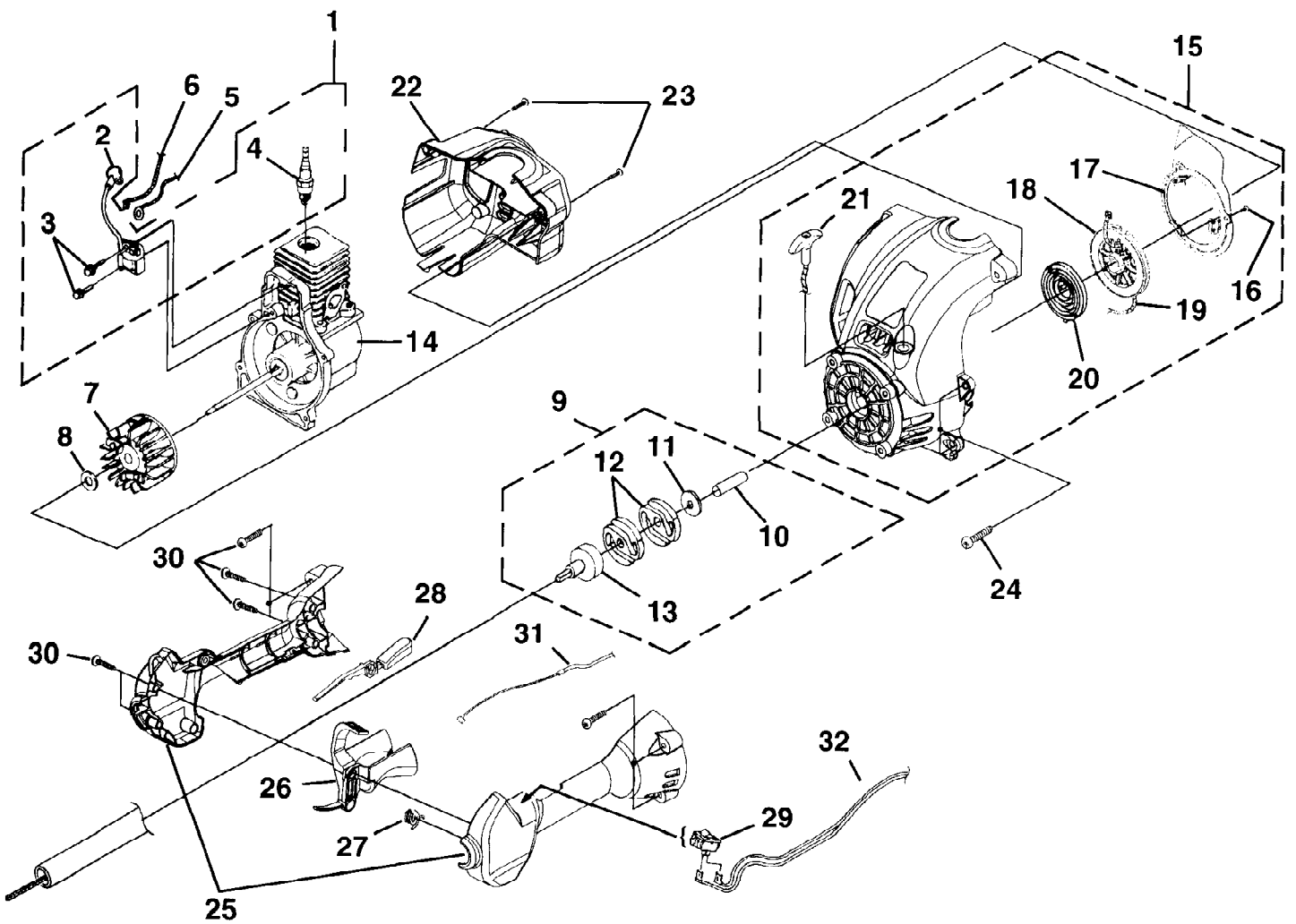


st725sc String Trimmer UT-15153
Engine Internal

Page 4 of 10

| Ref # | Part Number | Qty | S/P/F | Description |
|-------|-------------|-----|-------|--|
| 1 | UP02994 | 1 | S | SHORT BLOCK (Non-Clutch; Incl. items 2 - 9) |
| | UP02995 | 1 | S | SHORT BLOCK (Clutch; Incl. items 2 - 9) |
| 2 | UP00768 | 1 | S/P | PISTON & ROD ASSY. (Incl. item 3) |
| 3 | PS01359 | 1 | S/P | RING-Piston |
| 4 | A07145 | 1 | S | CYLINDER ASSY. (Incl. items 5 - 8) |
| 5 | 04388B | 1 | S/P | GASKET-Cylinder |
| 6 | 06900A | 1 | /P | GASKET-Heat Dam |
| 7 | 98766A | 1 | S/P | GASKET-Carburetor |
| 8 | 09343 | 1 | /P | GASKET-Muffler |
| 9 | 880841 | 3 | S | SCREW-Sems (12-24 X 3/4") (Torque Specs 55-65 In/Lbs 6.2-7.3 Nm, Red 262 Loctite Required) |
| 10 | UP00019 | 1 | S | CRANKCASE COVER ASSEMBLY (Incl. items 11 & 12) |
| 11 | 08661 | 1 | /P | GASKET-Crankcase Cover (Also included w/short block) |
| 12 | PS01565 | 4 | /P | SCREW-Sems (10-24 X 1/2") (Torque Specs 35-45 In/Lbs 4.0-5.1 Nm, Red 262 Loctite Required) |

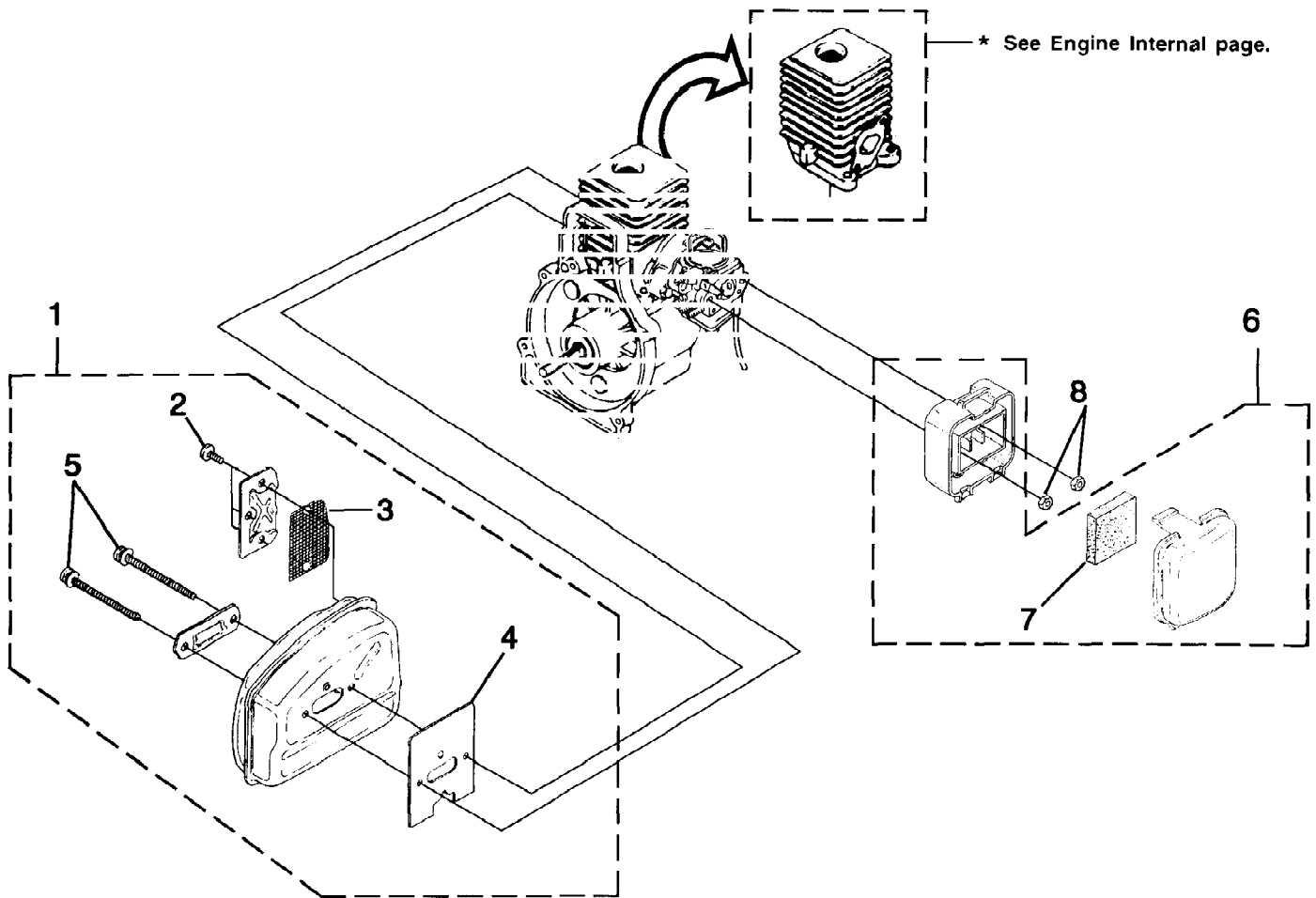
st725sc String Trimmer UT-15153
Ignition - Rotor - Starter - Clutch



st725sc String Trimmer UT-15153
Ignition - Rotor - Starter - Clutch

Page 6 of 10

| Ref # | Part Number | Qty | S/P/F | Description |
|-------|-------------|-----|-------|---|
| 1 | A07174 | 1 | S | IGNITION KIT (Incl. items 2 - 4) |
| 2 | A33055 | 1 | /P | TERMINAL & COVER |
| 3 | 82540 | 2 | /P | SCREW-Taptite (8-32 X 1") (Torque Specs 30-40 In/Lbs [3.4-4.5 Nm], Blue 242 Loctite Required) |
| 4 | 79252 | 1 | S | SPARK PLUG (RDJ-7Y) (Torque Specs 120-180 In/Lbs [13.6-20.3 Nm]) |
| 5 | A06964 | 1 | /P | LEAD-Electrical |
| 6 | A06963 | 1 | /P | LEAD-Electrical |
| 7 | UP03009 | 1 | | ROTOR KIT (Incl. item 8) |
| 8 | PS84065 | 1 | S/P | WASHER-Flat |
| 9 | UP00034 | 1 | S | CLUTCH AND DRUM KIT (Incl. items 10 - 13) |
| 10 | PS035662A | 1 | S | SPACER |
| 11 | 98929A | 1 | S/P | WASHER-Flat |
| 12 | 00242 | 2 | /P | CLUTCH |
| 13 | A02727 | 1 | S | CONNECTOR AND DRUM |
| 14 | UP02995 | 1 | S | SHORT BLOCK (See "Engine Internal" ill. and parts list.) |
| 15 | UP02962 | 1 | S | COMPLETE STARTER ASSEMBLY (Incl. items 16 - 21) |
| 16 | 82543 | 3 | /P | SCREW-Thread Form (8-16 X 1/2") (Torque Specs 10-20 In/Lbs [1.1-2.3 Nm]) |
| 17 | UP03013 | 1 | S | BAFFLE-Air |
| 18 | UP03012 | 1 | S | PULLEY-Starter |
| 19 | 9789902 | 1 | S/P | ROPE-Starter (42") |
| 20 | A98773A | 1 | S/P | SPRING & CONTAINER |
| 21 | UP03026 | 1 | S | GRIP-Starter (Yellow) |
| 22 | UP02965 | 1 | | HOUSING-Rear Kit (Incl. item 23) |
| 23 | 82563 | 2 | /P | SCREW-Plastite (10-14 X 3/4") (Torque Specs 30-50 In/Lbs [3.4-5.6 Nm]) |
| 24 | 82538 | 4 | /P | SCREW-Taptite (10-24 X 3/4") (Torque Specs 30-40 In/Lbs [3.4-4.5 Nm]) |
| 25 | UP03114 | 1 | S/P | CONTROL HANDLE ASSY. (Incl. items 26 - 32) |
| 26 | UP03207 | 1 | S/P | TRIGGER-Throttle (Incl. item 27) |
| 27 | UP03210 | 1 | S | SPRING |
| 28 | UP03173 | 1 | S | THROTTLE INTERLOCK |
| 29 | 07385 | 1 | S | SWITCH |
| 30 | 82589 | 9 | /P | SCREW-Taptite (10-14 X 1") (Torque Specs 30-50 In/Lbs [3.4-5.6 Nm]) |
| 31 | UP03172 | 1 | S | CABLE-Throttle |
| 32 | UP03174 | 1 | S | LEAD-Electrical |



st725sc String Trimmer UT-15153
Muffler - Air Cleaner

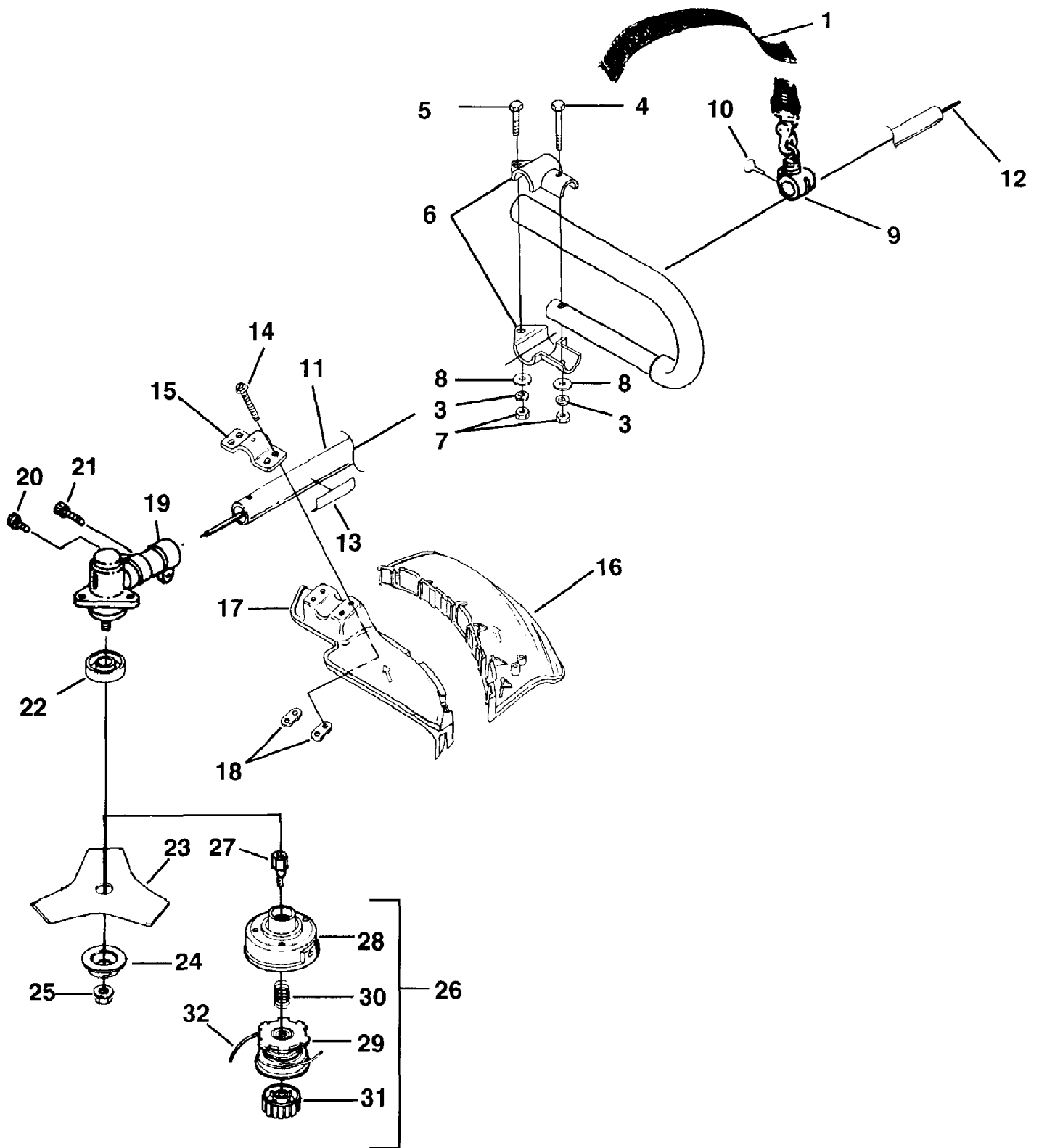
Page 8 of 10

| Ref # | Part Number | Qty | S/P/F | Description |
|-------|-------------|-----|-------|---|
| 1 | A07142A | 1 | S | MUFFLER ASSEMBLY (Incl. items 2 - 5) |
| 2 | 82600 | 3 | /P | SCREW, Taptite - (8-32 X 3/8") (Torque Specs 25-35 In/Lbs [2.8-4.0 Nm]) |
| 3 | 06502 | 1 | /P | SCREEN-Spark |
| 4 | 09343 | 1 | /P | GASKET-Muffler |
| 5 | 88083 | 2 | S/P | SCREW, Truss Hd. - (10-24 X 2.188) (Torque Specs 50-60 In/Lbs [5.6-6.8 Nm]) |
| 6 | UP00022 | 1 | S | Air Filter Kit (Incl. items 7 & 8) |
| 7 | D98760B | 1 | S | Filter-Air |
| 8 | 81208 | 2 | /P | NUT-Hex (10-24) (Torque Specs 30-40 In/Lbs [3.4-4.5 Nm]) |

st725sc String Trimmer UT-15153

Page 9 of 10

Straight Shaft Boom - Handle - Throttle - Stringhead - Grass Deflector



| Ref # | Part Number | Qty | S/P/F | Description |
|-------|-------------|-----|-------|---|
| 1 | UP00108 | 1 | S | HARNESS w/Connector |
| ?2 | A07159 | 1 | S | J-HANDLE BAR KIT (Incl. items 3 - 8) |
| 3 | 83009 | 2 | /P | Washer-Lock |
| 4 | 82278 | 1 | /P | SCREW-Hex Hd. (1/4-20 X 1/2") (Torque Specs 75-85 In/Lbs [8.5-9.6 Nm]) |
| 5 | 82496 | 1 | /P | SCREW-Hex Hd. (1/4-20 X 1") (Torque Specs 75-85 In/Lbs [8.5-9.6 Nm]) |
| 6 | 00422 | 1 | S/P | CLAMP-Handle Bar |
| 7 | 81242 | 2 | /P | NUT-Hex (1/4-20) |
| 8 | 84004 | 2 | /P | WASHER- Flat |
| 9 | A94442 | 1 | /P | BRACKET-Hanger (Incl. item 10) |
| 10 | 82260 | 1 | /P | SCREW-Thumb (10-24 X 1/2") |
| 11 | UP03169 | 1 | | HOUSING-Drive Shaft (Incl. items 12 & 13) |
| 12 | 98818 | 1 | /P | SHAFT-Drive |
| 13 | 02985 | 1 | S | DECAL-Warning |
| 14 | 825551 | 4 | S | SCREW-Mach. Truss Hd. (10-24 X 3/4) |
| 15 | 08619 | 1 | S | CLAMP |
| 16 | A08152 | 1 | S | STRING SHIELD |
| 17 | 08573 | 1 | /P | BLADE GUARD |
| 18 | A08139 | 1 | /P | MOUNTING PLATE |
| 19 | A03888 | 1 | S | GEAR HEAD |
| 20 | 88049 | 1 | /P | SCREW-Sems Hex Hd. (10-24 X 1/2") (Torque Specs 40-50 In/Lbs [4.5-5.6 Nm]) |
| 21 | 82586 | 1 | /P | SCREW-Cap Socket Hd. (1/4-20 x 7/8") (Torque Specs 55-65 In/Lbs [6.2-7.3 Nm]) |
| 22 | 041681A | 1 | S | WASHER-Flange |
| 23 | D98717C | 1 | S/P | BLADE-Tri-Arc |
| 24 | 04409 | 1 | /P | WASHER-Flange |
| 25 | 04277 | 1 | /P | NUT-Hex (L.H.) |
| 26 | DA03174A | 1 | S/P | STRINGHEAD COMPLETE (Incl. items 27 - 31) |
| 27 | 9855141 | 1 | /P | CONNECTOR-Drive |
| 28 | A98231A | 1 | S/P | HOUSING & EYELET (Dual Line) |
| 29 | DA02598C | 1 | S | SPOOL & STRING (.095" Line) (Incl. item 30) |
| 30 | B06713 | 1 | S/P | SPRING-Compression |
| 31 | A97910A | 1 | S/P | RETAINER-Spool (L.H.) (Red) |
| 32 | D06513 | 1 | | LINE-Replacement (.095" Dia.) (135') |