

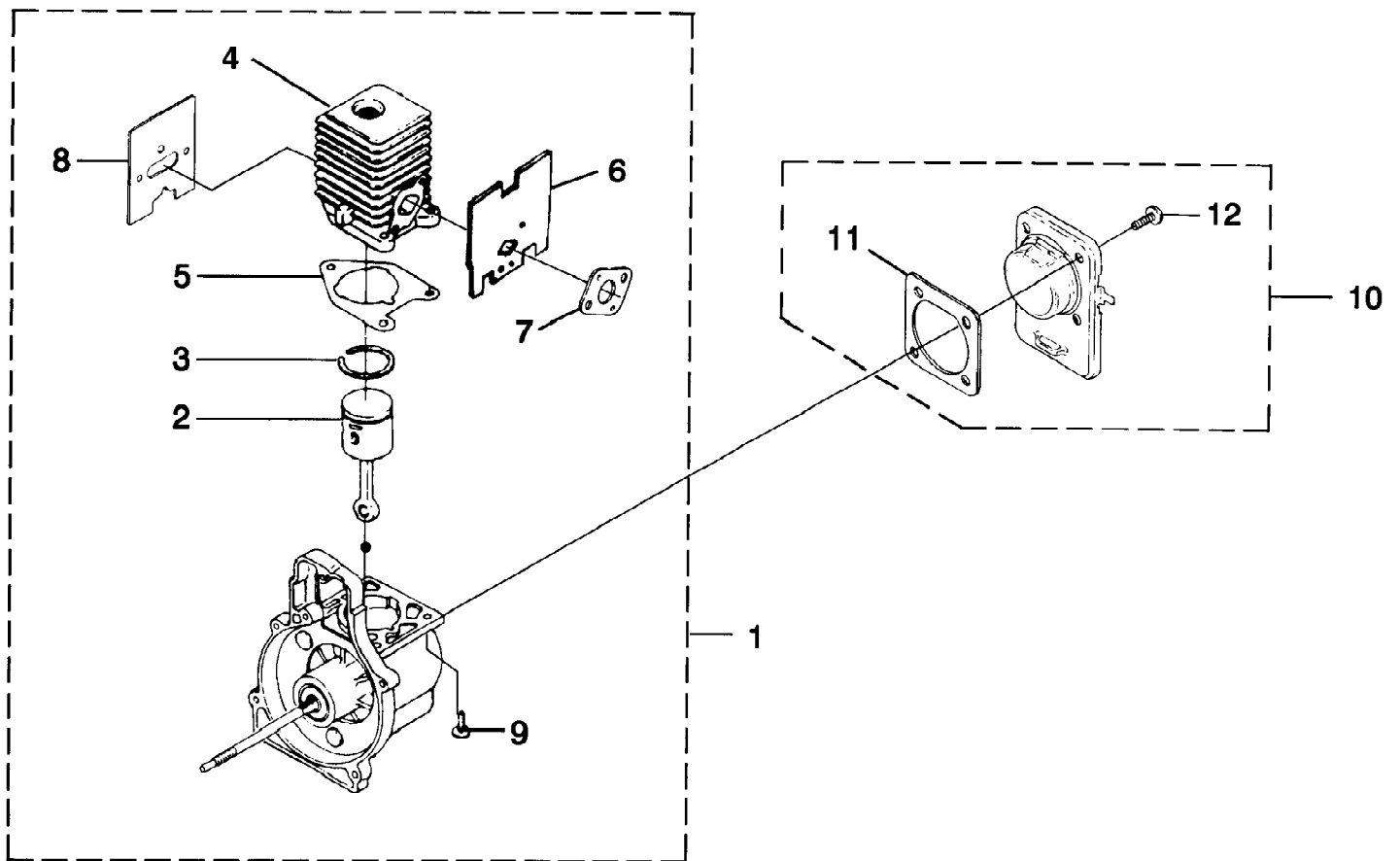
st625cc String Trimmer UT-20725
Carburetor - Fuel Tank

Page 2 of 10

Ref #	Part Number	Qty	S/P/F	Description
1	06900A	1	/P	GASKET-Heat Dam
2	04474	2	/P	SCREW-Machine (10-24 X 2 1/4")
3	98768A	1	/P	HEAT DAM
4	093221	2	S/P	SCREW-Sems (10-24 X 1") (Torque Specs 35-45 In/Lbs [4.0-5.1 Nm], Red 262 Loctite Required)
5	UP00654	1	/P	CARBURETOR KIT (Incl. items 6 & &)
6	98766A	1	S/P	GASKET-Carburetor
7	PS00236	1	S	Lever-Choke (Zama)
8	UP00020	1	S	FUEL TANK ASSY. (Incl. items 9 - 16)
9	49422	1	S	FILTER-Fuel
10	0143918	1	/P	TUBING-Rubber
11	0143910	1	/P	TUBING-Rubber
12	9477213	1	/P	TUBING-Rubber
13	A09115	1	/P	FUEL CAP
14	98792	3	/P	BUMPER-Rubber
15	02067	1	/P	FITTING-Inline
16	98268	1	S/P	CLAMP

st625cc String Trimmer UT-20725
Engine Internal

Page 3 of 10

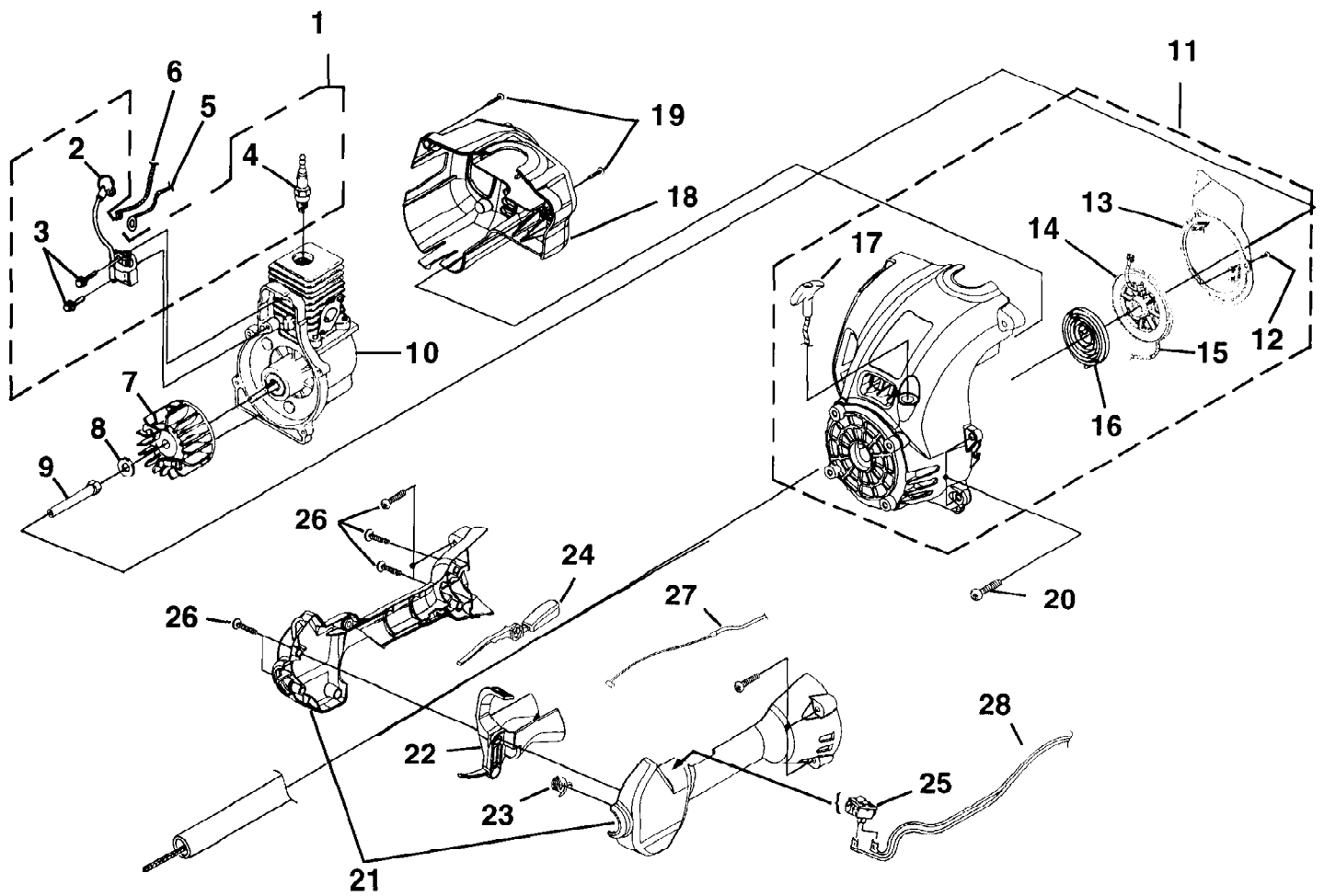


st625cc String Trimmer UT-20725
Engine Internal

Page 4 of 10

Ref #	Part Number	Qty	S/P/F	Description
1	UP02994	1	S	SHORT BLOCK (Non-Clutch; Incl. items 2 - 9)
	UP02995	1	S	SHORT BLOCK (Clutch; Incl. items 2 - 9)
2	UP00768	1	S/P	PISTON & ROD ASSY. (Incl. item 3)
3	PS01359	1	S/P	RING-Piston
4	A07145	1	S	CYLINDER ASSY. (Incl. items 5 - 8)
5	04388B	1	S/P	GASKET-Cylinder
6	06900A	1	/P	GASKET-Heat Dam
7	98766A	1	S/P	GASKET-Carburetor
8	09343	1	/P	GASKET-Muffler
9	880841	3	S	SCREW-Sems (12-24 X 3/4") (Torque Specs 55-65 In/Lbs 6.2-7.3 Nm, Red 262 Loctite Required)
10	UP00019	1	S	CRANKCASE COVER ASSEMBLY (Incl. items 11 & 12)
11	08661	1	/P	GASKET-Crankcase Cover (Also included w/short block)
12	PS01565	4	/P	SCREW-Sems (10-24 X 1/2") (Torque Specs 35-45 In/Lbs 4.0-5.1 Nm, Red 262 Loctite Required)

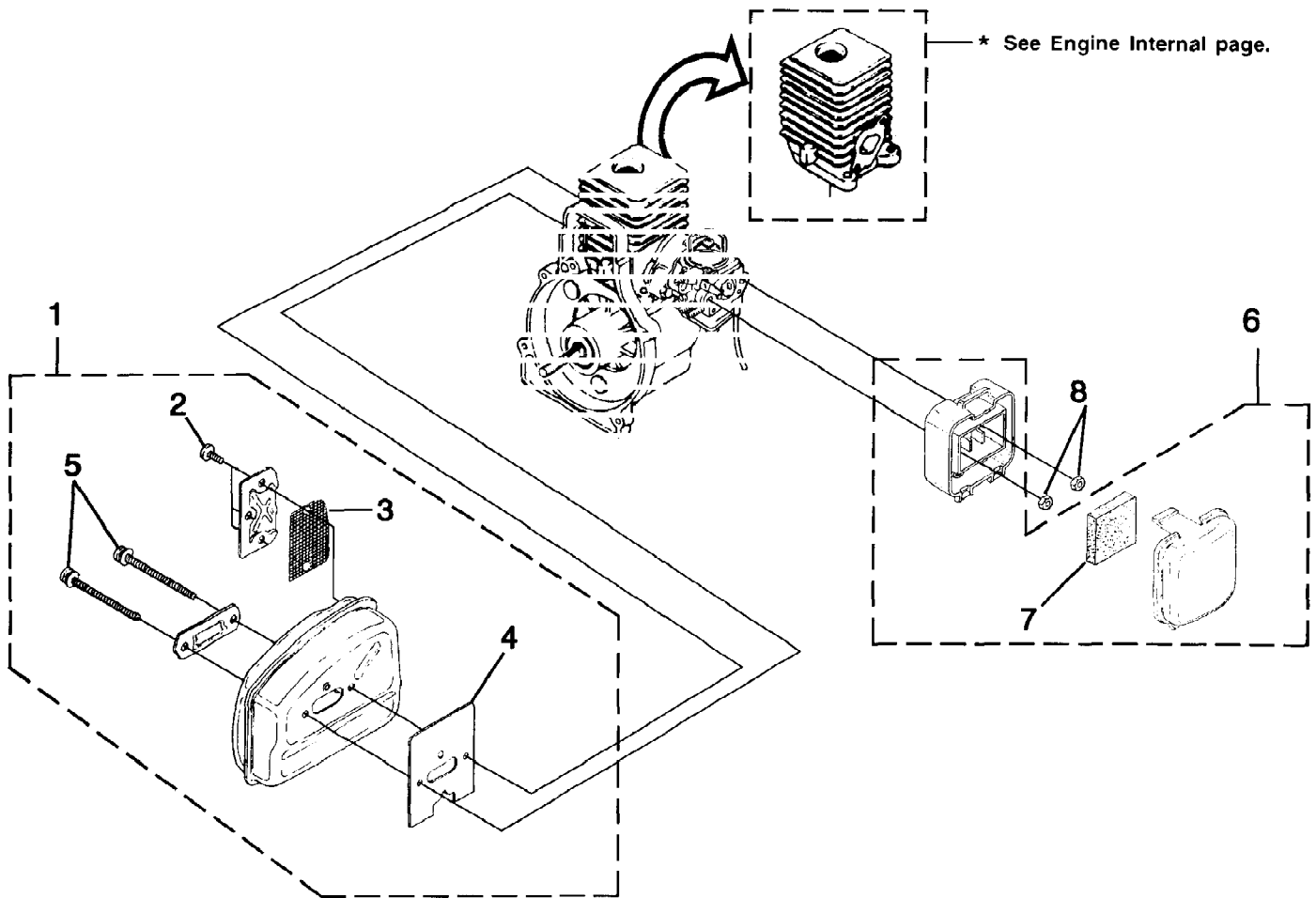
st625cc String Trimmer UT-20725
Ignition - Rotor - Starter



st625cc String Trimmer UT-20725
Ignition - Rotor - Starter

Page 6 of 10

Ref #	Part Number	Qty	S/P/F	Description
1	A07174	1	S	IGNITION KIT (Incl. items 2 - 4)
2	A33055	1	/P	TERMINAL & COVER
3	82540	2	/P	SCREW-Taptite (8-32 X 1") (Torque Specs 30-40 In/Lbs [3.4-4.5 Nm], Blue 242 Loctite Required)
4	79252	1	S	SPARK PLUG (RDJ-7Y) (Torque Specs 120-180 In/Lbs [13.6-20.3 Nm])
5	A06964	1	/P	LEAD-Electrical
6	A06963	1	/P	LEAD-Electrical
7	UP03009	1		ROTOR KIT (Incl. item 8)
8	PS84065	1	S/P	WASHER-Flat
9	98795A	1	/P	CONNECTOR AND DRUM
10	UP02995	1	S	SHORT BLOCK (See "Engine Internal" illustration and parts list.)
11	UP02962	1	S	COMPLETE STARTER ASSEMBLY (Incl. items 12- 16)
12	82543	3	/P	SCREW-Thread Form (8-16 X 1/2") (Torque Specs 10-20 In/Lbs [1.1-2.3 Nm])
13	UP03013	1	S	BAFFLE-Air
14	UP03012	1	S	PULLEY-Starter
15	9789902	1	S/P	ROPE-Starter (42")
16	A98773A	1	S/P	SPRING & CONTAINER
17	UP03026	1	S	GRIP-Starter (Yellow)
18	UP02965	1		HOUSING-Rear Kit (Incl. items 19 & 20)
19	82563	2	/P	SCREW-Plastite (10-14 X 3/4") (Torque Specs 30-50 In/Lbs [3.4-5.6 Nm])
20	82538	4	/P	SCREW-Taptite (10-24 X 3/4") (Torque Specs 30-40 In/Lbs [3.4-4.5 Nm])
21	UP03114	1	S/P	CONTROL HANDLE ASSY. (Incl. items 22 - 28)
22	UP03207	1	S/P	TRIGGER-Throttle (Incl. item 23)
23	UP03210	1	S	SPRING
24	UP03173	1	S	THROTTLE INTERLOCK
25	07385	1	S	SWITCH
26	82589	9	/P	SCREW-Taptite (10-14 X 1") (Torque Specs 30-50 In/Lbs [3.4-5.6 Nm])
27	UP03172	1	S	CABLE-Throttle
28	UP03174	1	S	LEAD-Electrical

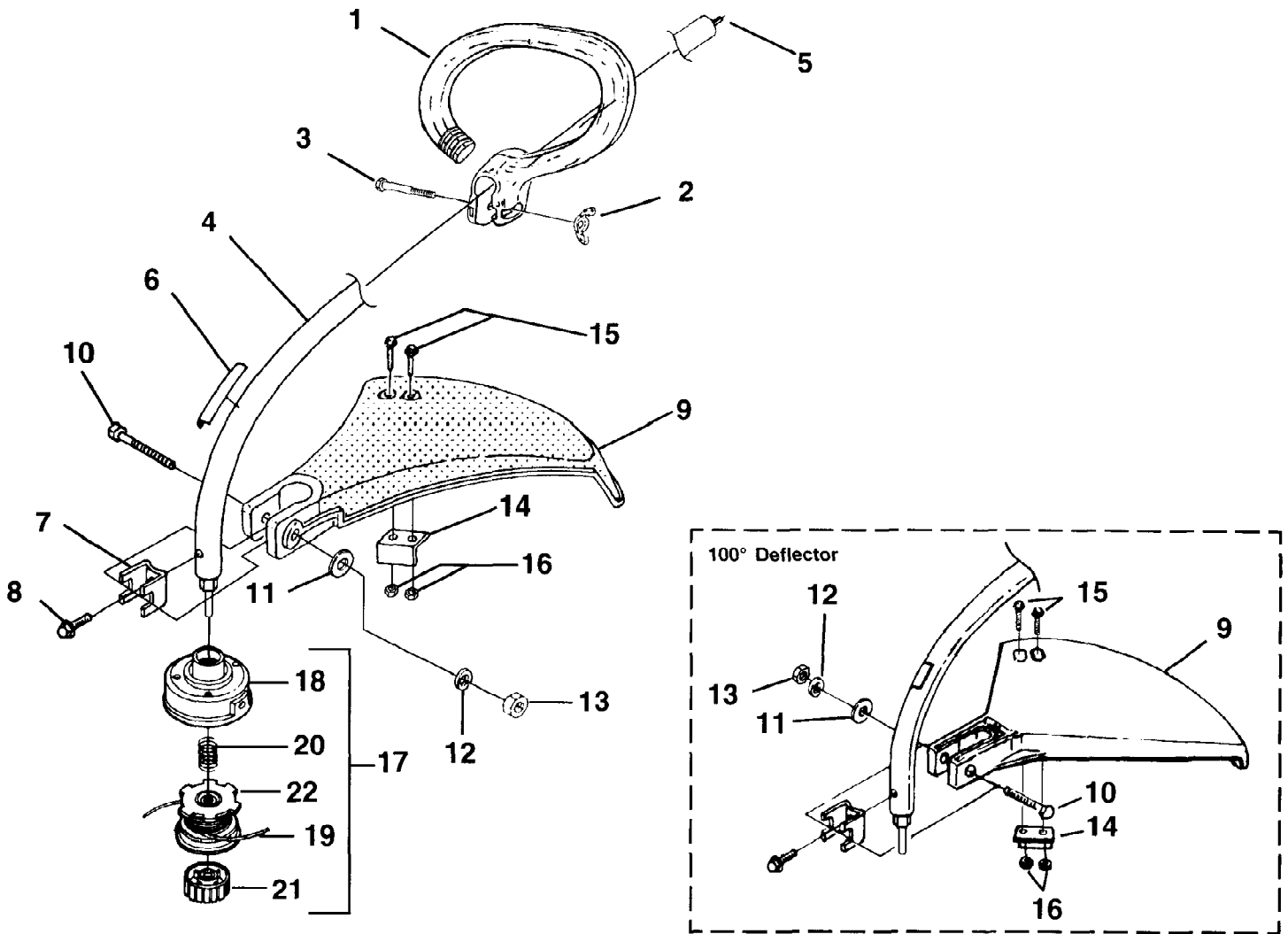


st625cc String Trimmer UT-20725
Muffler - Air Cleaner

Page 8 of 10

Ref #	Part Number	Qty	S/P/F	Description
1	A07142A	1	S	MUFFLER ASSEMBLY (Incl. items 2 - 5)
2	82600	3	/P	SCREW, Taptite - (8-32 X 3/8") (Torque Specs 25-35 In/Lbs [2.8-4.0 Nm])
3	06502	1	/P	SCREEN-Spark
4	09343	1	/P	GASKET-Muffler
5	88083	2	S/P	SCREW, Truss Hd. - (10-24 X 2.188) (Torque Specs 50-60 In/Lbs [5.6-6.8 Nm])
6	UP00022	1	S	Air Filter Kit (Incl. items 7 & 8)
7	D98760B	1	S	Filter-Air
8	81208	2	/P	NUT-Hex (10-24) (Torque Specs 30-40 In/Lbs [3.4-4.5 Nm])

st625cc String Trimmer UT-20725
Shaft - Spool & String - Grass Deflector



st625cc String Trimmer UT-20725
Shaft - Spool & String - Grass Deflector

Page 10 of 10

Ref #	Part Number	Qty	S/P/F	Description
1	UP03010	1	S	HANDLE ASSY.-Front (Incl. items 2 & 3)
2	93992	1	/P	NUT-Wing, Washer Faced (1/4-20) (Torque Specs 5-25 In/Lbs [.6-2.8 Nm])
3	80295	1	/P	SCREW-Cap Hex Hd.
4	UP03178	1		DRIVESHAFT HOUSING ASSY. (Incl. items 5 - 8)
5	UP03031	1	S	SHAFT-Flexible
6	PS00038	1	S	DECAL-Warning
7	07928	1	S/P	CLAMP
8	88077	1	S	SCREW-Sems Hex Hd. (#10-24 X 3/8") (Torque Specs 15-25 In/Lbs [1.7-2.8 Nm])
9	A04705	1	S	DEFLECTOR & BLADE KIT (55 Deg.) (Incl. items 10 - 16)
	A04704	1	S	DEFLECTOR & BLADE KIT (100 Deg.) (Incl. items 10 - 16)
10	80295	1	/P	SCREW-Cap Hex Hd. (10-24 X 2")
11	84006	1	/P	WASHER-Flat (1/4")
12	83009	1	/P	WASHER-Lock (1/4")
13	81242	1	/P	NUT-Hex
14	A03832	1	S	BLADE-Cut-Off (Incl. items 15 & 16)
15	82531	2	/P	SCREW-Mech. Hex Hd. (10-24 X 7/8") (Torque Specs 5-25 In/Lbs [.6-2.8 Nm])
16	81208	2	/P	NUT-Hex (10-24) (Torque Specs 30-40 In/Lbs [3.4-4.5 Nm])
17	DA04591A	1	S/P	STRINGHEAD-Complete (Incl. items 18 - 21)
18	A98231A	1	S/P	HOUSING & EYELET (Dual Line)
19	UP00147	1	S/P	SPOOL & STRING (.095" Line) (Incl. item 20)
20	06713	1	/P	SPRING-Compression
21	DA98866A	1	S	RETAINER-Spool (R.H. Thread, Black)
22	D06513	1		STRING - (.095) (113 ft.)