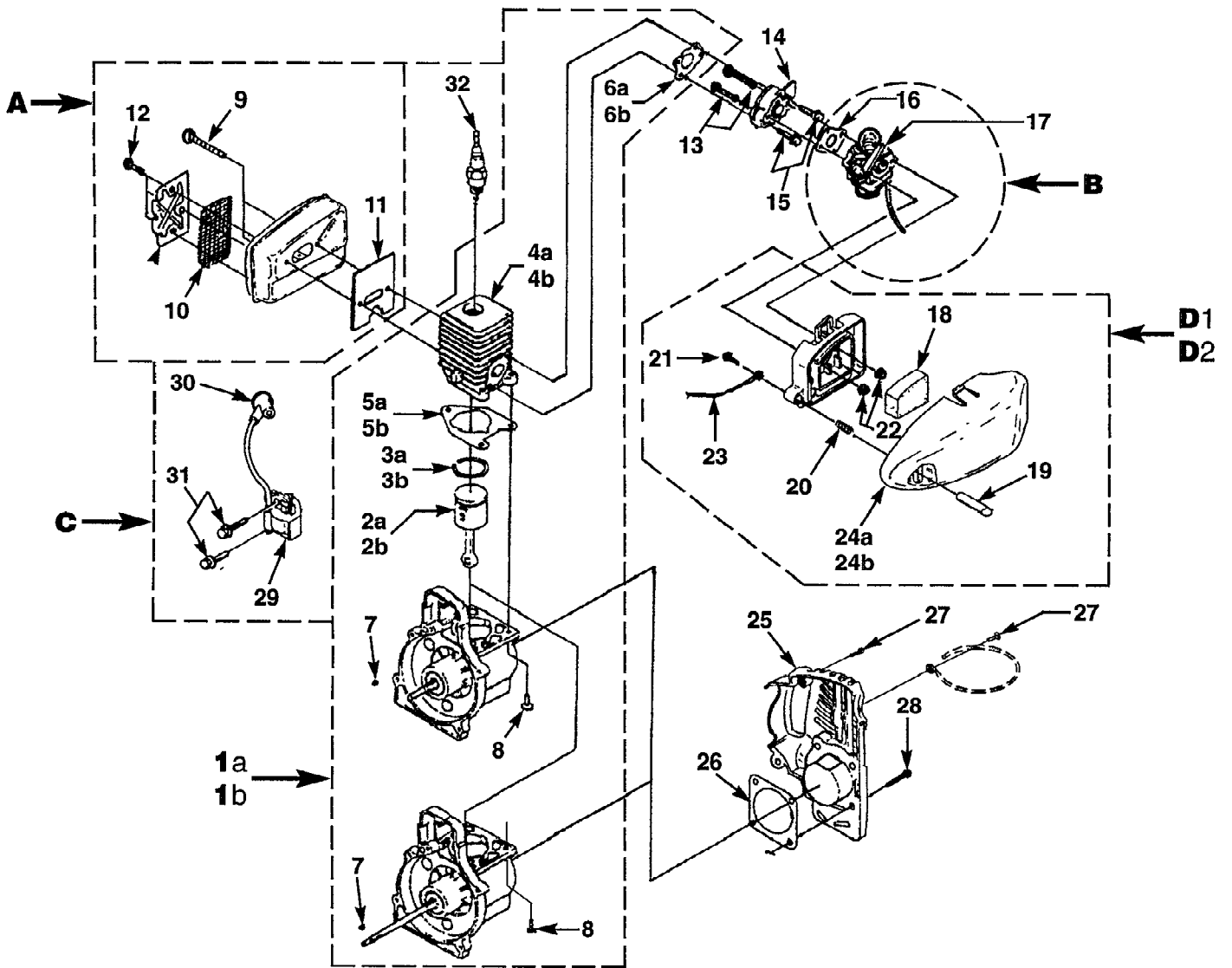


| Ref # | Part Number | Qty | S/P/F | Description |
|-------|-------------|-----|-------|---|
| 1 | A07137 | 1 | S | FRONT HANDLE ("G") |
| 2 | 82605 | 4 | | SCREW-Hex Hd. (10-24 X 1") |
| 3 | 81208 | 4 | /P | NUT-Hex (10-24) |
| 4 | A04379A | 1 | S | HOUSING-Drive Shaft |
| 5 | 98818 | 1 | /P | SHAFT-Flexible |
| 6 | 04458 | 1 | S | DECAL-Starting Inst. |
| 7 | 04679 | 1 | S | DECAL-Warning |
| 8 | A04836C | 1 | S | GEAR HEAD |
| 9 | 82459 | 5 | /P | SCREW-Hex Hd. (10-24 X 1/2") |
| 10 | 82593 | 2 | /P | SCREW-Hex Hd. (10-24 X 5/8") |
| 11 | 04168A | 1 | S/P | WASHER-Flanged |
| 12 | 04355 | 1 | /P | ADAPTOR-Shaft |
| 13 | A04683A | 1 | /P | GRASS DEFLECTOR KIT |
| 14 | 00074 | 1 | S | BLADE-Cut-Off |
| 15 | 80869 | 2 | /P | SCREW-Machine Hex Hd. (10-24 X 3/8") |
| 16 | 81208 | 2 | /P | NUT-Hex (10-24) |
| 17A | DA03001A | 1 | S/P | STRINGHEAD COMPLETE (.080" Line) |
| 18A | A98231A | 1 | S/P | HOUSING & EYELET (Dual Line) |
| 19A | DA98912E | 1 | S | SPOOL & STRING & SPRING(.080" Line) |
| 20A | 06713 | 1 | /P | SPRING-Compression |
| 21A | DA98866A | 1 | S | RETAINER-Spool (R.H. Thread, Black) |
| 17B | DA04591A | 1 | S/P | STRINGHEAD COMPLETE (.095" Line) Model d830sd, st730sdr only |
| 18B | A98231A | 1 | S/P | HOUSING & EYELET (Dual Line) Model d830sd, st730sdr only |
| 19B | DA02598C | 1 | S | SPOOL & STRING & SPRING (.095" Line) Model d830sd, st730sdr only |
| 20B | 06713 | 1 | /P | SPRING-Compression Model d830sd, st730sdr only |
| 21B | DA98866A | 1 | S | RETAINER-Spool (R.H. Thread, Black) Model d830sd, st730sdr only |

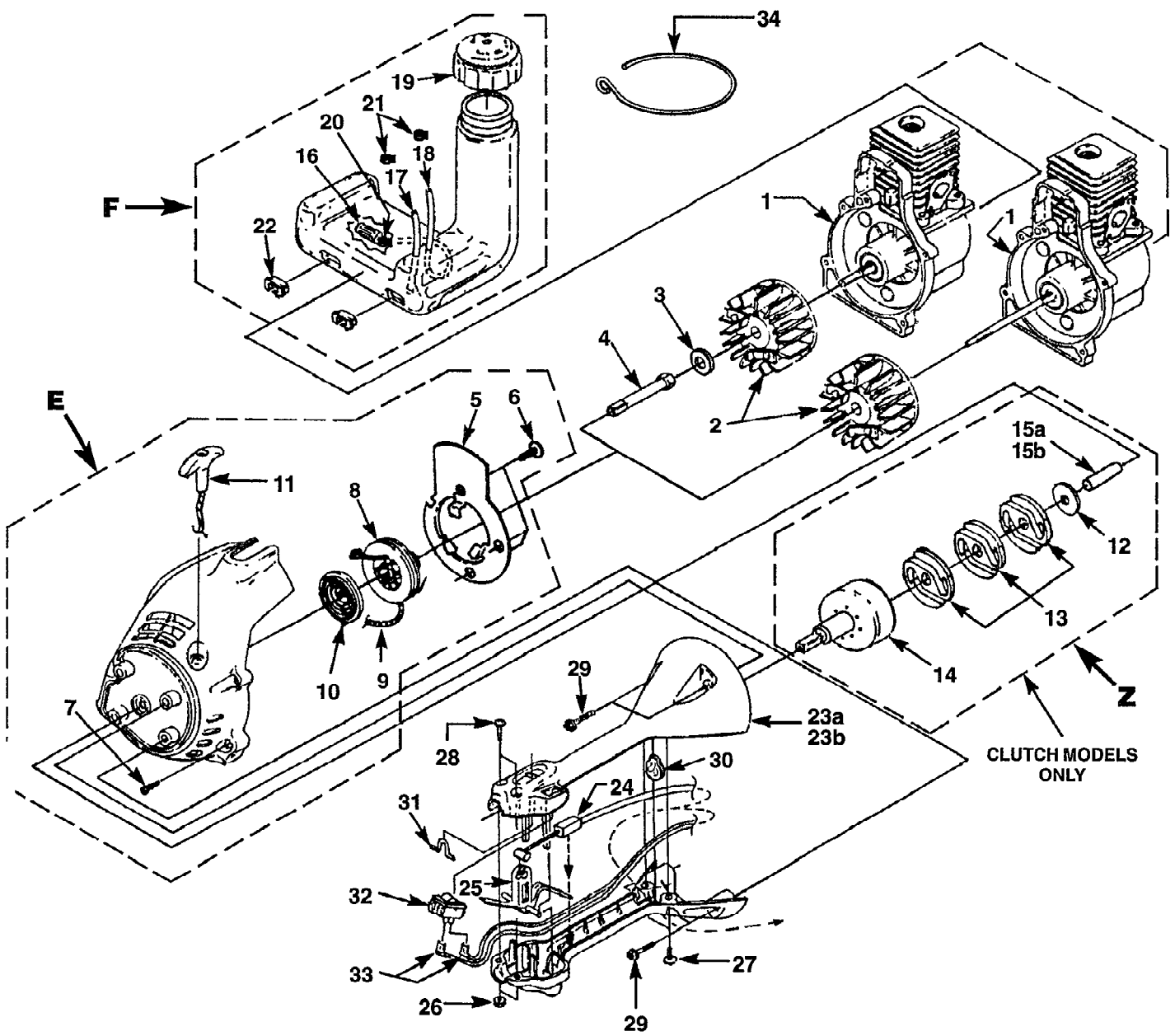


| Ref # | Part Number | Qty | S/P/F | Description |
|-------|-------------|-----|-------|---|
| 1A | A07134 | 1 | S | REPOWER SHORT BLOCK (30CC Non Clutch Models) |
| 1B | A07135 | 1 | S | REPOWER SHORT BLOCK (30CC Clutch Models) |
| 2A | A03599 | 1 | S | 30CC PISTON & ROD |
| 3A | 03179 | 2 | /P | RING-Piston |
| 4A | A07146A | 1 | S | 30CC CYLINDER KIT (Also includes #'s 11 & 26) |
| 5A | 04388B | 1 | S/P | GASKET-Cylinder |
| 6A | 06900A | 1 | /P | GASKET-Heat Dam |
| 7 | 69250 | 1 | /P | KEY-Woodruff |
| 8 | 825691 | 3 | /P | SCREW-Thread Form. (10-24 X 3/4") |
| 4B | A07145 | 1 | S | 25CC CYLINDER KIT (Also includes #'s 11 & 26) |
| 5B | 04388B | 1 | S/P | GASKET-Cylinder |
| 6B | 06900A | 1 | /P | GASKET-Heat Dam |
| 2B | A04258 | 1 | S | 25CC PISTON & ROD |
| 3B | 96935 | 1 | S | RING-Piston |
| A | A07142 | 1 | S | MUFFLER KIT |
| 9 | 82599 | 2 | S | SCREW-Machine (#10-24 X 2") |
| 10 | 06502 | 1 | /P | SCREEN-Spark |
| 11 | 98786C | 1 | /P | GASKET-Muffler (Also included with #'s 4A & 4B) |
| 12 | 80939 | 3 | S | SCREW-Machine-Pan Slotted (8-32 X 3/4") |
| 13 | 04474 | 2 | /P | SCREW-Machine (10-24 X 2 1/4") |
| 14 | 98768 | 1 | S | HEAT DAM |
| 15 | 825491 | 2 | S | SCREW-Taptite (10-24 X 1") |
| B | A07139 | 1 | S | CARBURETOR |
| 16 | 987661 | 1 | /P | GASKET-Carburetor |
| 17 | 07377 | 1 | S | LEVER-Choke Rod-(ZAMA) |
| | 07376 | 1 | /P | LEVER-Choke Rod-(WALBRO) |
| D1 | A07140 | 1 | /P | AIR FILTER KIT W/PUSH-BUTTON STOP |
| 18 | D06615 | 1 | S | FILTER-Air |
| 19 | 06618 | 1 | S | BUTTON-Switch |
| 20 | 95020 | 1 | S | SPRING-Compression |
| 21 | 82513 | 1 | /P | SCREW-Plastite (#6-19 X 1/2") |
| 22 | 81208 | 2 | /P | NUT-Hex (10-24) |
| 23 | A07238 | 1 | /P | LEAD-Electrical |
| 24A | 06622 | 1 | S | COVER-Air Filter |
| D2 | A07157 | 1 | | AIR FILTER KIT W/O PUSH-BUTTON STOP |
| 18 | D06615 | 1 | S | FILTER-Air |
| 22 | 81208 | 2 | /P | NUT-Hex (10-24) |
| 24B | 07051 | 1 | S | COVER-Air Filter |
| 25 | A07138 | 1 | /P | CRANKCASE COVER |
| 26 | 06443 | 1 | | GASKET-Crankcase Cover (Also included with #'s 4A & 4B) |
| 27 | 82563 | 3 | /P | SCREW-Plastite (#10 X 3/4") |
| 28 | 82539 | 4 | S/P | SCREW-Taptite (10-24 X 7/8") |
| C | A04446 | 1 | S | IGNITION KIT |
| 29 | 94711CS | 1 | /P | MODULE-Ignition |

s825sdv String Trimmer UT-20633
Intake, Muffler, Ignition & Engine & Internals (Rev. A)

Page 5 of 7

| Ref # | Part Number | Qty | S/P/F | Description |
|-------|-------------|-----|-------|---------------------------|
| 30 | A33055 | 1 | /P | TERMINAL & COVER |
| 31 | 82540 | 2 | /P | SCREW-Taptite (8-32 X 1") |
| 32 | 96169S | 1 | S | SPARK PLUG |



s825sdv String Trimmer UT-20633
Tank, Clutch & Starter (Rev. A)

Page 7 of 7

| Ref # | Part Number | Qty | S/P/F | Description |
|-------|-------------|-----|-------|---|
| 1 | | 1 | | SHORT BLOCK (Ref. to REPOWER SHORT BLOCK (30CC Non-Clutch Models) P/N A07134; REPOWER SHORT BLOCK (30CC Clutch Models P/N A07135) |
| 2 | A04158 | 1 | S | ROTOR w/Starter Pawls |
| 3 | 84065 | 1 | S | WASHER-Flat (5/16) |
| 4 | 98795A | 1 | /P | CONNECTOR-Drive |
| E | A07143 | 1 | S | COMPLETE STARTER ASSEMBLY |
| 5 | 06541A | 1 | S | PLATE-Baffle |
| 6 | 82543 | 3 | /P | SCREW-Plastite (8-16 X 5/8") |
| 7 | 82538 | 4 | /P | SCREW-Thread Form. (10-24 X 3/4") |
| 8 | 98770A | 1 | /P | PULLEY-Starter |
| 9 | 9789902 | 1 | S/P | ROPE-Starter (42") |
| 10 | A98773A | 1 | S/P | SPRING & CONTAINER |
| 11 | 06598 | 1 | S | GRIP-Starter |
| Z | A04655 | 1 | | CLUTCH & DRUM Kit Models (z725cb, st725cbr, bc730sbr, d830cb, d830sb, d830sba, z830sb, x830sba only) |
| 12 | 98929A | 1 | S/P | WASHER-Flat |
| 13 | 00242 | 3 | /P | CLUTCH |
| 14 | A03485A | 1 | S | CONNECTOR & DRUM |
| 15A | 035661 | 1 | S | SPACER (30CC) 3 Shoe Clutch |
| 15B | 035662 | 1 | S | SPACER (25CC) 2 Shoe Clutch |
| F | A07141A | 1 | S | FUEL TANK COMPLETE |
| 16 | 49422 | 1 | S | FILTER-Fuel |
| 17 | 9477222 | 1 | /P | TUBING-Rubber (5 1/2") |
| 18 | 9477228 | 1 | | TUBING-Rubber (7") |
| 19 | DA06486 | 1 | S | FUEL CAP |
| 20 | 98268 | 1 | S/P | CLAMP |
| 21 | 93426 | 2 | /P | CLAMP |
| 22 | 98792 | 4 | /P | BUMPER-Rubber |
| 23A | A07144 | 1 | | CONTROL HANDLE (W/O Switch) |
| 24 | 06603A | 1 | | CABLE-Throttle |
| 25 | 06605 | 1 | | TRIGGER |
| 26 | 81208 | 2 | /P | NUT-Hex (#10-24) |
| 27 | 82537 | 2 | /P | SCREW-Plastite (#10-14 X 7/8") |
| 28 | 82556 | 2 | /P | SCREW-Machine (#10-24 X 1 1/4") |
| 29 | 82558 | 4 | /P | SCREW-Plastite (#10-14 X 1 1/8") |
| 30 | 06620 | 1 | /P | STOP-Drive Shaft |
| 31 | 06802 | 1 | /P | HOOK-Strap |
| 23B | A07158 | 1 | | CONTROL HANDLE (Ignition Switch Models); (Includes 24-31) |
| 32 | 07920 | 1 | S | SWITCH-Rocker |
| 33 | A07149 | 2 | S | LEADS-Electrical |
| 34 | 07183 | 1 | S | SUPPORT-Wire |