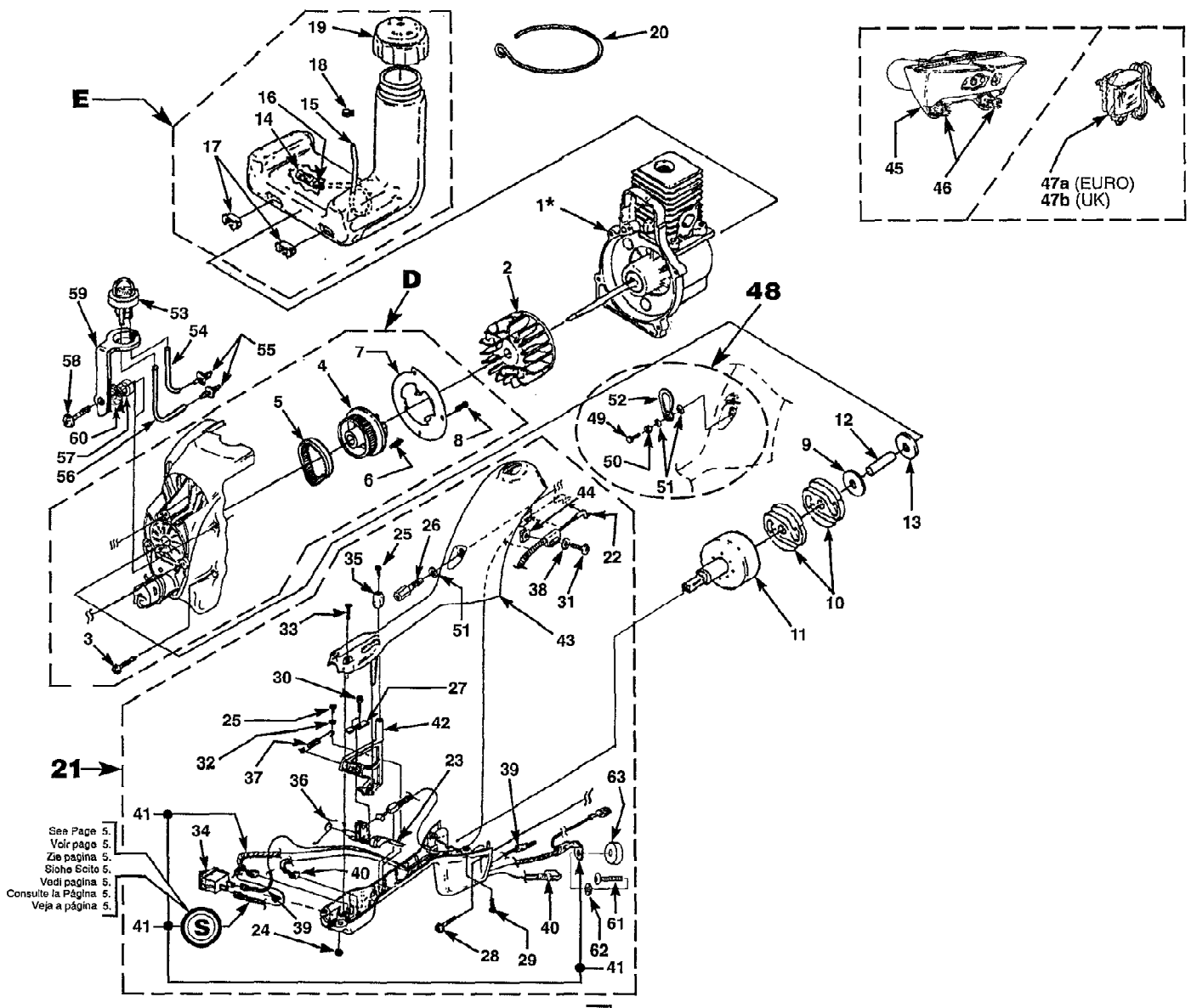


i725cea String Trimmer UT-20651  
Clutch, Starter & Engine Peripherals

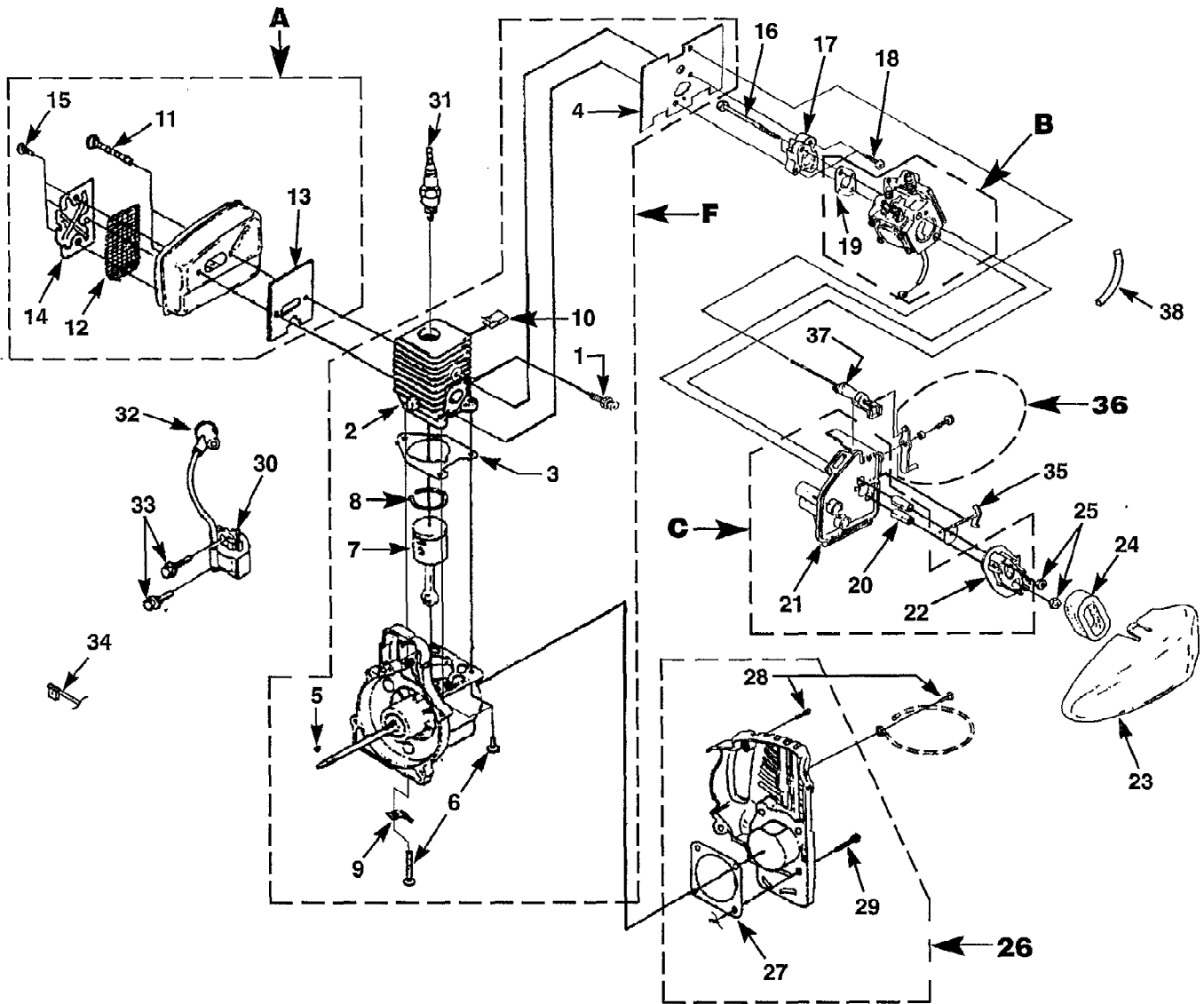


Ref #	Part Number	Qty	S/P/F	Description
1		1		SHORT BLOCK See "Engine" illustration and parts list items 1-10 for parts breakdown.
2	A041581	1		ROTOR w/Starter Pawls
D	A07168A	1		COMPLETE STARTER ASSEMBLY
3	82538	4	/P	SCREW-Thread Form. (10-24 X 3/4")
4	06533	1		PULLEY-Starter
5	06534	1		BELT-Starter
6	82540	1	/P	SCREW- Thread Forming (8-32 X 1")
7	06723A	1	/P	BAFFLE
8	82546	3	S/P	SCREW-Plastite (8-16 5/8")
9	98929A	1	S/P	WASHER-Flat
10	00242	2	/P	CLUTCH
11	A03485A	1	S	CONNECTOR & DRUM
12	035662A	1	S	SPACER
13	95479A	1	/P	WASHER
E	A07170D	1	S	FUEL TANK COMPLETE
14	49422	1	S	FILTER-Fuel
15	9477220	1	S	TUBING-Rubber (5")
16	98268	1	S/P	CLAMP-Wire
17	98792	4	/P	BUMPER-Rubber
18	02067	1	/P	FITTING-In Line Fuel
19	A07234	1	S	FUEL CAP
20	07183	1	S	SUPPORT WIRE
21	A07177A	1	/P	CLUTCH HOUSING 3 CONTROL HANDLE
22	06548A	1	S	CABLE-Throttle
23	06547	1		TRIGGER
24	81208	2	/P	NUT-Hex (10-24)
25	82401	2		SCREW-Thread Forming (#4-20 X 1/4")
26	07517	1	S	SCREW-Adaptor
27	06912	1		RETAINER
28	825561	2	S	SCREW-Torx Truss Hd. (#10-24 X 1 1/4")
29	82563	2	/P	SCREW-Thread Forming (#10-14 X 1/2")
30	82564	2	S	SCREW-Thread Forming (16-20 X 1/2")
31	82612	1	/P	SCREW-Socket Head
32	84025	1	/P	WASHER
33	82606	2		SCREW-Truss Hd. (#10-24 X 1 7/8")
34	07920	1	S	SWITCH-Rocker
35	06913	1	/P	KNOB-Starter Lever
36	07071	1		SPRING-Torsion
37	07075A	1	/P	SPRING-Extension
38	841031	1		WASHER-Flat
39	A07190A	1		LEAD-Electrical
40	A06725	1		LEAD-Electrical
41	A06724B	1		LEAD-Electrical
42	A07020A	1	/P	STARTER LEVER w/BAR
43	065381	1		CLUTCH HOUSING
44	81289	1		NUT-Tinnerman
45	DA06965	1	S	BATTERY PACK
46	A06971	2		KNOB-Battery Pack
47A	07310	1		CHARGER-Battery Pack (EURO)
47B	07312	1		CHARGER-Battery Pack (UK)
48	A07560	1		HANGER KIT
49	80648	1	/P	SCREW

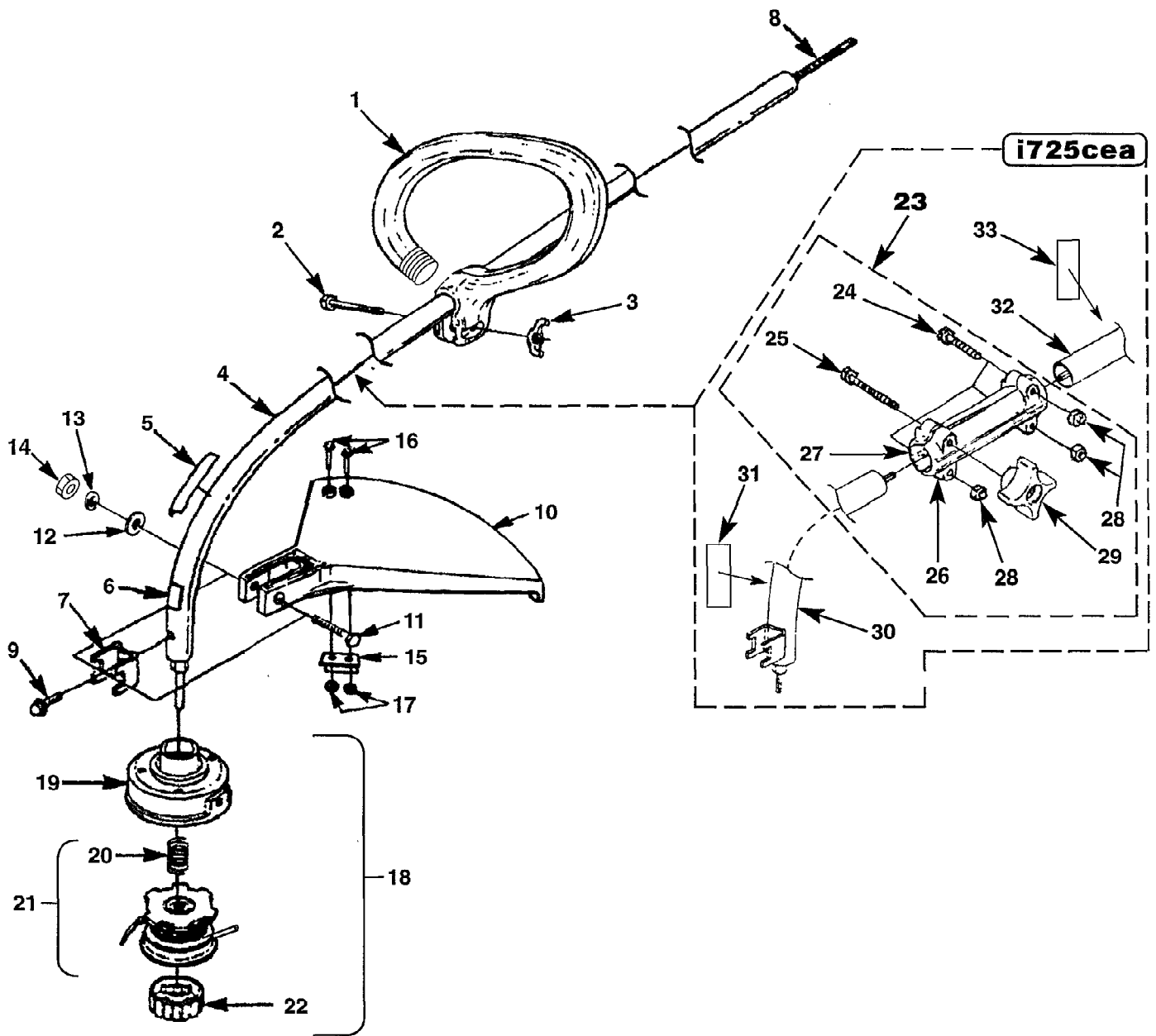
i725cea String Trimmer UT-20651  
Clutch, Starter & Engine Peripherals

Page 3 of 8

Ref #	Part Number	Qty	S/P/F	Description
50	83046	1		WASHER-Lock
51	84003	3	/P	WASHER
52	07516	1	/P	HANGER
26	07517	1	S	SCREW-Adaptor
53	07916	1	S	BUTTON-Start Assist
54	0143908	1		LINE-Fuel (2.0") (5,0cm)
55	02067	2	/P	FITTING-Fuel Line
56	0143910	1	/P	LINE-Fuel (2.5") (6,5cm)
57	07915	1	S	SPACER
58	825491	1	S	SCREW- (10-24 x 1.00")
59	07913	1	S	BRACKET
60	08218	1		WASHER-External Lock
61	06973	1		BATTERY POST
62	841031	1		WASHER
63	06974	1		NUT



Ref #	Part Number	Qty	S/P/F	Description
F	A07166	1	S	SHORT BLOCK (25CC)
1	06488	1		COMPRESSION RELEASE VALVE
2	A07167	1	S	25CC CYLINDER KIT
3	04388B	1	S/P	GASKET-Cylinder
4	07615	1	S	GASKET-Heat Dam
13	98786C	1	/P	GASKET-Muffler
27	06443A	1	S/P	GASKET-Crankcase Cover
5	69250	1	/P	KEY-Woodruff
6	82609	3		SCREW-Thread Form. (10-24 X 7/8")
7	A07314	1	S	25CC PISTON & ROD
8	96935	1	S	RING-Piston
9	07193	1		TERMINAL
10	06469	1		CLIP
A	A07142	1	S	MUFFLER KIT
11	82613	2	/P	SCREW-Machine (#10-24 X 2")
12	06502	1	/P	SCREEN-Spark
13	98786C	1	/P	GASKET-Muffler
14	065011	1	/P	COVER
15	82600	3	/P	SCREW
16	06881	2	S	SCREW-Shoulder
17	06445	1	S	HEAT DAM
18	825491	2	S	SCREW-Taptite (10-24 X 1")
B	A07169	1		CARBURETOR KIT
19	1987661	1		GASKET-Carburetor
C	A07171	1	S	AIR FILTER BODY
20	06720	2		SPACER
21	06484A	1		BODY
22	A06480	1		BLADE RET. MAGNET
23	06483A	1	S	COVER-Air Filter
24	D06485	1	S	FILTER-Air
25	81208	2	/P	NUT-Hex (10-24)
26	A07138	1	/P	CRANKCASE COVER
27	06443A	1	S/P	GASKET-Crankcase Cover
28	82563	3	/P	SCREW-Plastite (#10 X 3/4")
29	825491	4	S	SCREW-Taptite (10-24 X 1")
30	06504A	1	/P	MODULE-Ignition
31	79252	1	S	SPARK PLUG
32	A33055	1	/P	TERMINAL & COVER
33	82540	2	/P	SCREW-Taptite (8-32 X 1")
34	A07186	1		LEAD- Electrical
35	A06477	1		BLADE & SHAFT ASSEMBLY
36	A07172	1		BELLCRANK
37	A07173	1		CHOKE ACTUATOR
38	9477212	1	/P	TUBING-Rubber (3")



Ref #	Part Number	Qty	S/P/F	Description
1	A07136	1	S	FRONT HANDLE ("D")
2	802951	1	S	SCREW-Cap Hex Hd. (10-24 X 2")
3	93992	1	/P	NUT-Wing (10-24)
4	A01524	1		HOUSING-Drive Shaft
5	06551	1	S	DECAL-Starting Inst.
6	04154	1		DECAL-Warning
7	98853A	1	S	CLAMP
8	07486	1		SHAFT-Flexible
9	88077	1	S	SCREW
10	A04704	1	S	DEFLECTOR & BLADE KIT (100 Degree)
11	80295	1	/P	SCREW-Cap Hex Hd. (1/4-20 X 2")
12	84006	1	/P	WASHER-Flat (1/4")
13	83009	1	/P	WASHER-Lock (1/4")
14	81242	1	/P	NUT-Hex (1/4-20)
15	07129	1	/P	BLADE-Cut-Off Kit
16	82531	2	/P	SCREW-Mech. Hex Hd. (10-24 X 7/8")
17	81261	2	/P	NUT-Hex (10-24)
18	DA03001A	1	S/P	STRINGHEAD-Complete (.080" Line)
19	A98231A	1	S/P	HOUSING & EYELET (Dual Line)
20	06713	1	/P	SPRING-Compression
21	DA98912E	1	S	SPOOL & STRING (.080" Line)
22	DA98866A	1	S	RETAINER-Spool (R.H. Thread, Black)
23	A07901	1	/P	COUPLER ASSEMBLY For model i725cea
24	82278	3	/P	BOLT-Hex Hd. For model i725cea
25	80295	1	/P	SCREW-Cap Hex (1/4-20 x 2") For model i725cea
26	GM236111	1	S	SPLIT BOOM (L.H.) For model i725cea
27	GM236112	1	S	SPLIT BOOM (R.H.) For model i725cea
28	81267	3	/P	NUT-Hex (1/4-20) For model i725cea
29	GM285204	1	S	KNOB For model i725cea
30	A07903	1	S	DRIVE SHAFT HOUSING-Curved (Lower) For model i725cea
31	04154	1		DECAL-Warning For model i725cea
7	98853A	1	S	CLAMP For model i725cea
9	88077	1	S	SCREW For model i725cea
32	A07902	1	S	DRIVE SHAFT HOUSING- (Upper) For model i725cea
33	04458	1	S	DECAL-Start Instructions For model i725cea

