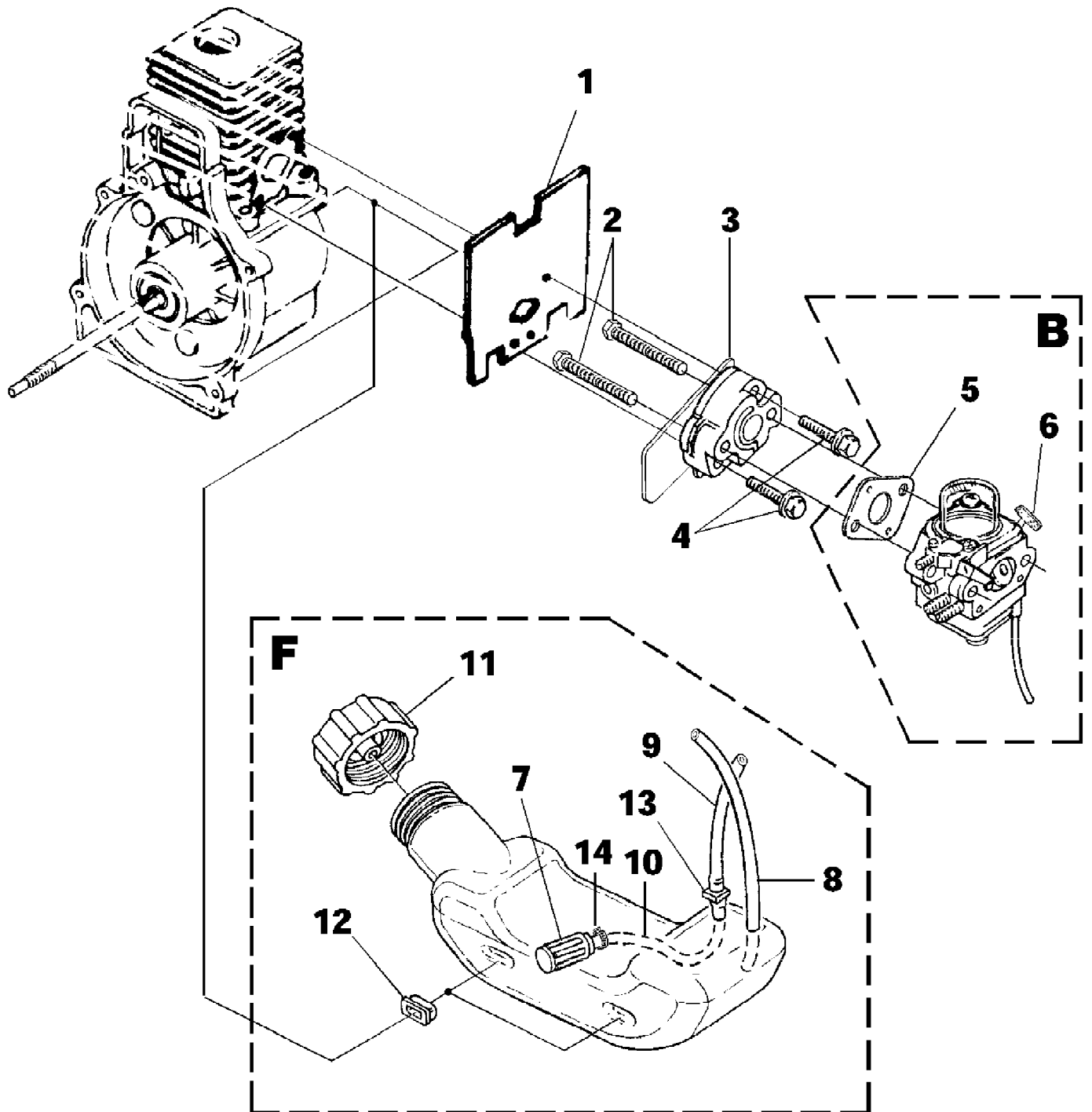


No  
Diagram  
Available  
  
Parts List  
Only

d825sb Plus String Trimmer UT-15152  
Accessories

Page 2 of 13

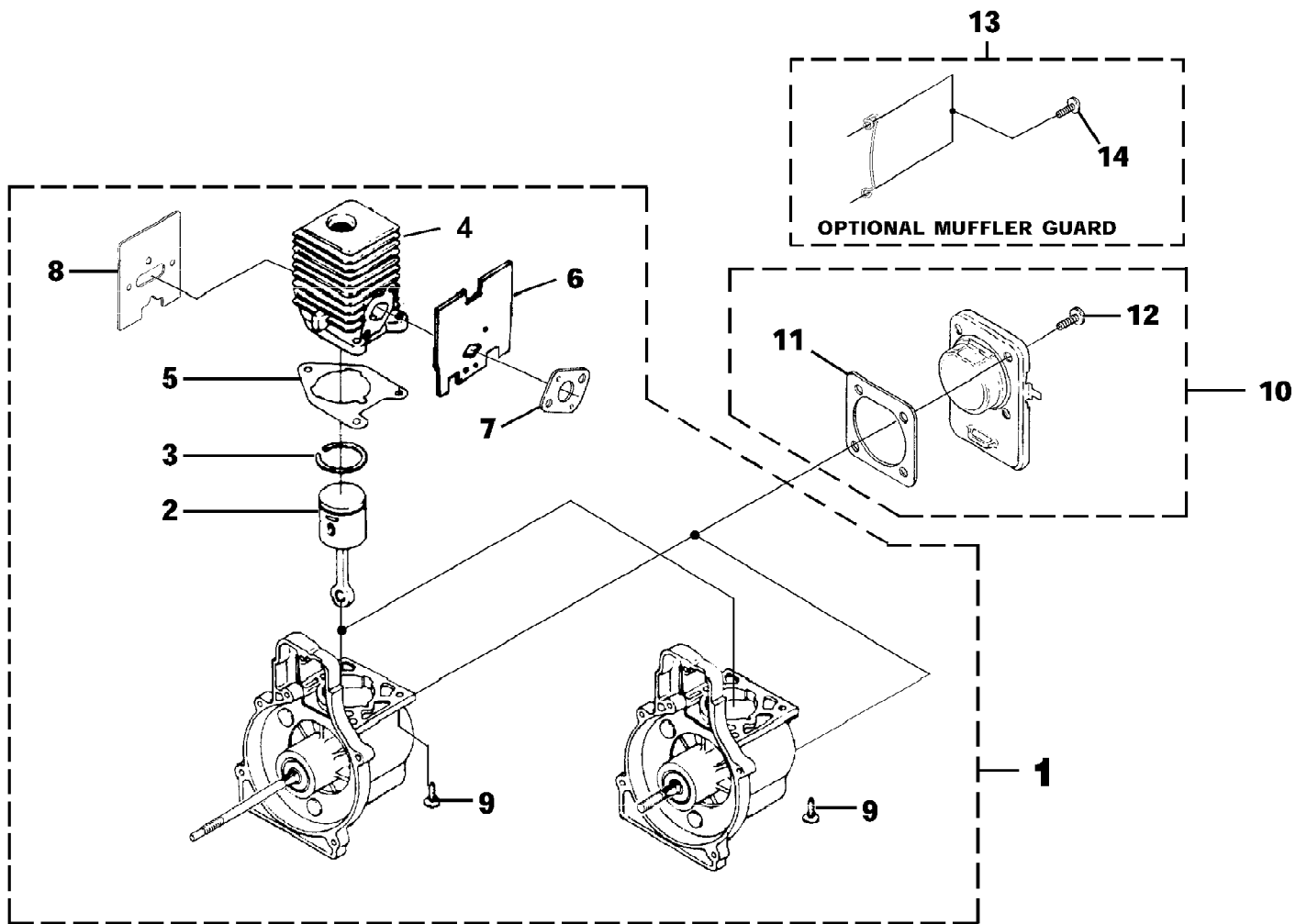
Ref #	Part Number	Qty	S/P/F	Description
	18453	1	/P	GREASE, MULTI-PURPOSE
	PS24306	1	/P	MODULE AIR GAP SHIM
	A04191	1		GRASS ANTI-WRAP KIT
	98052A	1	/P	STARTER ROPE (250 Ft. Reel)
	UP06544	1	/P	TORX BIT (T25) (For Clutch Drums)
	UP07160	1	S/P	TORX BIT (T27)
	JA313164	1		IGNITION TEST SPARK PLUG
	UP05860	1	S/P	RUBBER TUBING (10 Ft.)
	DA03001A	1	S/P	STRINGHEAD-Complete - E-Z Line(TM) (.080 Line) (Right Hand Thread) (Black Retainer)
	9801106	1		REPLACEMENT STRING - E-Z Line(TM) (3 lb. Box) (.080" Dia.)
	DA04591A	1	S/P	STRINGHEAD-Complete - E-Z Line(TM) (.095 Line) (Right Hand Thread) (Black Retainer)
	0395904	1		REPLACEMENT STRING - E-Z Line(TM) (3 lb. Box) (.095" Dia.)
	DA09364	1	S	STRINGHEAD-Complete-Pro-Cut(TM) Fixed Line Head (.105" Dia.)
	D09365	1	S	REPLACEMENT Dura Line(TM) (.105" Dia.) (Cartridges for Pro-Cut(TM) Fixed Line Head)
	A06933	1		SAFETY GOGGLES
	UP03036	1	/P	DUST MASK
	UP00108	1	S	COMFORT STRAP
	D98717C	1	S/P	TRI-ARC(TM) BLADE FOR USE ON BRUSHCUTTER UNITS ONLY



d825sb Plus String Trimmer UT-15152  
Carburetor - Fuel Tank

Page 4 of 13

Ref #	Part Number	Qty	S/P/F	Description
1	UP04308	1	S/P	GASKET-Heat Dam
2	UP04131	2		SCREW-Machine (10-24 X 2 1/4")
3	UP04348	1	S	HEAT DAM
4	UP04140	2	S	SCREW-Sems (10-24 X 1") Torque Specs 35-45 In/Lbs, 4.0-5.1 Nm. Required Loctite Red 262
B	UP00608	1	S	CARBURETOR KIT (Non-Clutch) Includes items 5-6
	UP00654	1	/P	CARBURETOR KIT (Clutch) Includes items 5-6
5	UP03916	1	S	GASKET-Carburetor
6	UP04278	1	/P	Lever-Choke (Zama)
F	UP00020	1	S	FUEL TANK ASSY. Includes items 7-14
7	UP03871	1	S/P	FILTER-Fuel
8	UP04293	1	S	TUBING-Rubber
9	UP04292	1	S	TUBING-Rubber
10	UP04715	1	S	TUBING-Rubber
11	UP00106	1	/P	FUEL CAP
12	UP03501	3	S	BUMPER-Rubber
13	UP03831	1	S	FITTING-Inline
14	UP03913	1	S	CLAMP

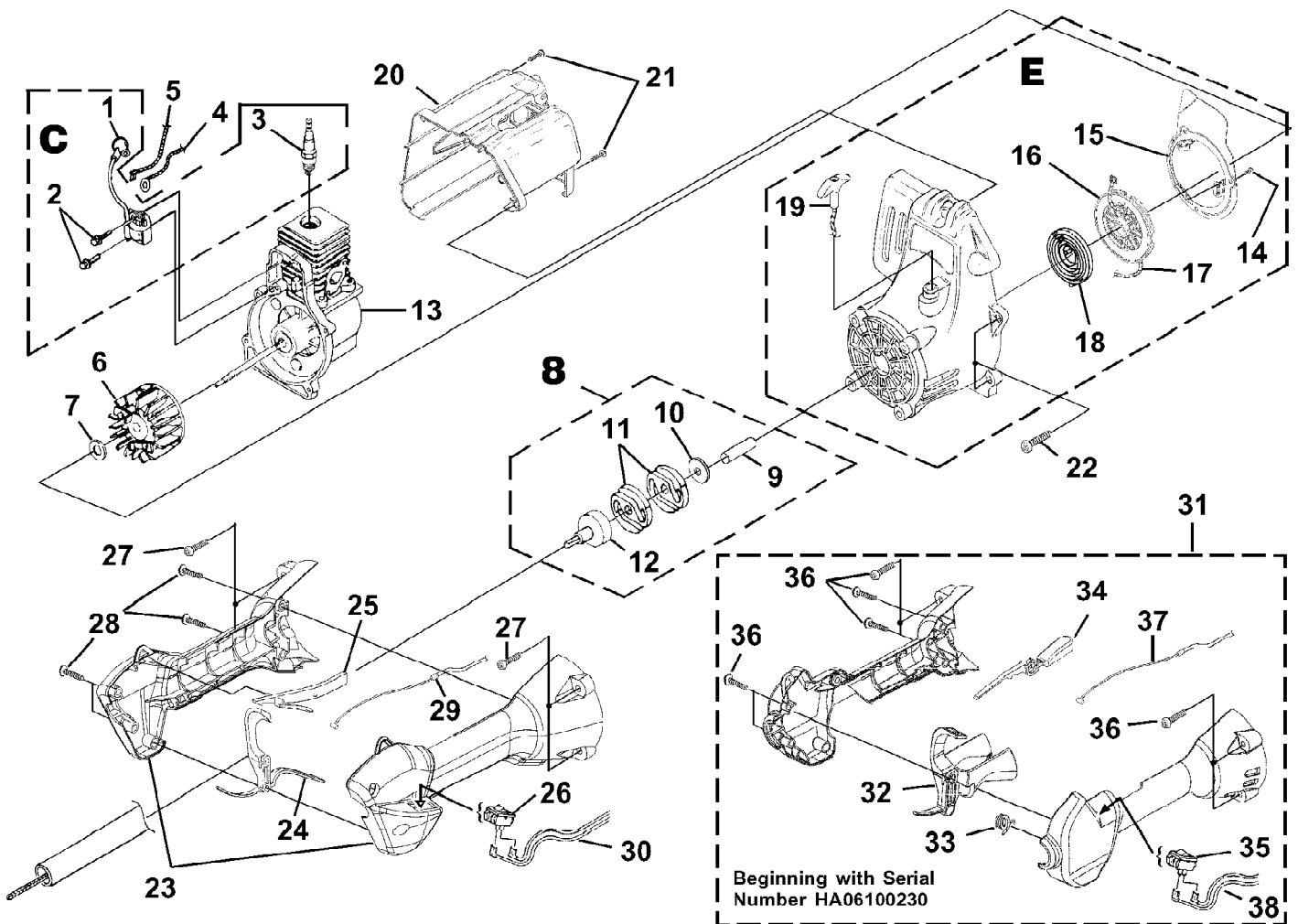


d825sb Plus String Trimmer UT-15152  
Engine Internal

Page 6 of 13

Ref #	Part Number	Qty	S/P/F	Description
1	UP02994	1	S	SHORT BLOCK (Non-Clutch) Includes items 2-9
	UP02995	1	S	SHORT BLOCK (Clutch) Includes items 2-9
2	UP00768	1	S/P	PISTON & ROD ASSY. Includes item 3
3	PS01359	1	S/P	RING-Piston
4	UP04136	1	S	CYLINDER ASSY. Includes items 5-8
5	UP03857	1	S/P	GASKET-Cylinder
6	UP04308	1	S/P	GASKET-Heat Dam
7	UP03916	1	S	GASKET-Carburetor
8	UP04710	1	S	GASKET-Muffler
9	UP04345	3	S/P	SCREW-Sems (12-24 X 3/4") Torque Specs 55-65 In/Lbs, 6.2-7.3 Nm. Required Loctite Red 262
10	UP00019	1	S	CRANKCASE COVER ASSEMBLY Includes items 11-12
11	UP04335	1	S	GASKET-Crankcase Cover (Also included w/short block)
12	UP04295	4	S/P	SCREW-Sems (10-24 X 1/2") Torque Specs 35-45 In/Lbs, 4.0-5.1 Nm. Required Loctite Red 262
13	UP00027	3	S	MUFFLER GUARD Includes item 14
14	UP03897	2	S	SCREW-Plastite (10-14 X 1/2") Torque Specs 5-20 In/Lbs, .6-2.3 Nm.

d825sb Plus String Trimmer UT-15152  
Ignition - Rotor - Starter - Clutch



d825sb Plus String Trimmer UT-15152  
Ignition - Rotor - Starter - Clutch

Page 8 of 13

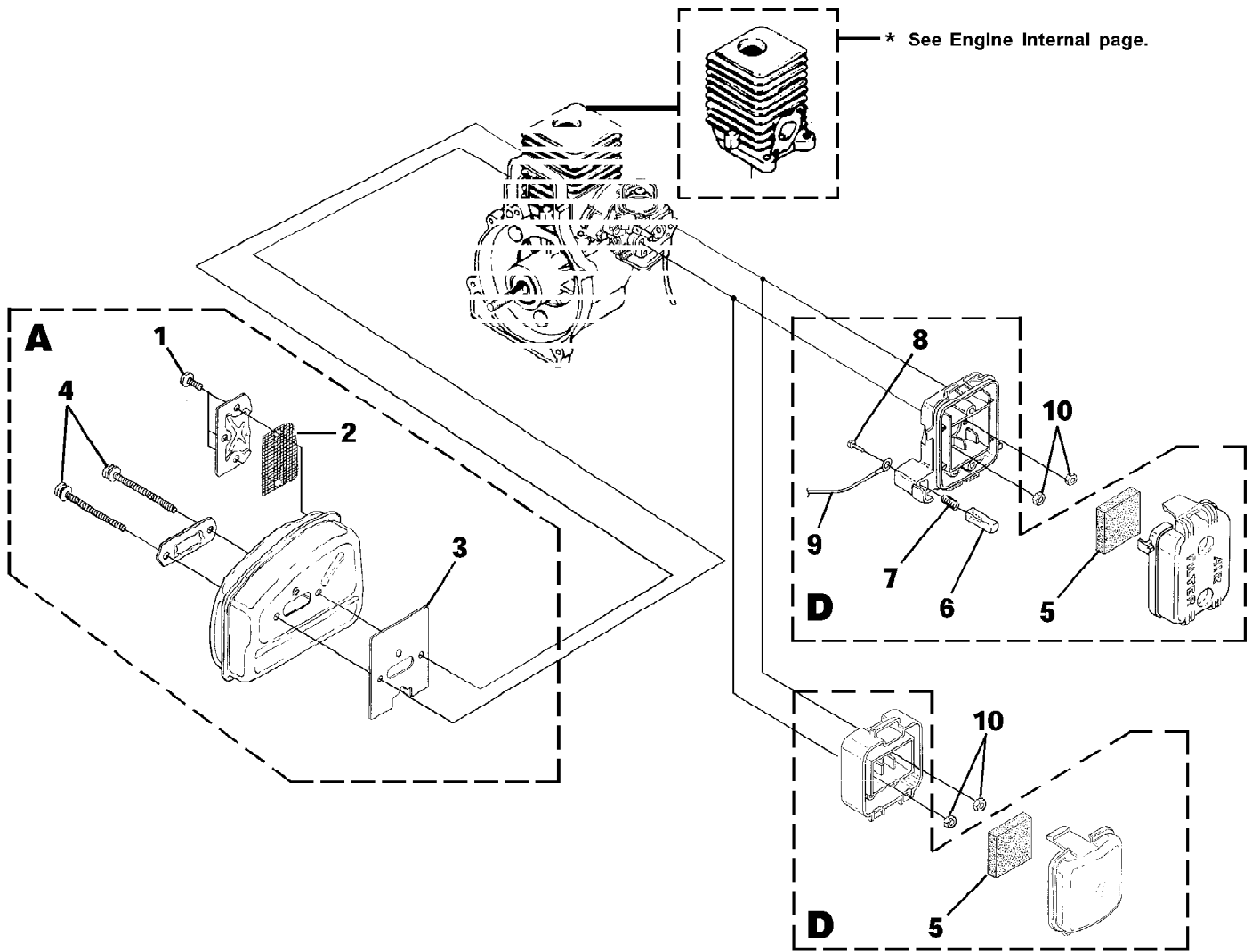
Ref #	Part Number	Qty	S/P/F	Description
C	A07174	1	S	IGNITION KIT Includes items 1-3
1	UP03868	1	S/P	TERMINAL & COVER
2	UP03896	2	S/P	SCREW-Taptite (8-32 X 1") Torque Specs 30-40 In/Lbs, 3.4-4.5 Nm. Required Loctite Blue 242
3	UP03883	1	/P	SPARK PLUG Torque Specs 120-180 In/Lbs, 13.6-20.3 Nm.
4	UP04537	1	S	LEAD-Electrical
5	UP04536	1	S	LEAD-Electrical
6	UP03009	1		ROTOR KIT Includes item 7
7	UP04241	1	S/P	WASHER-Flat
8	UP00034	1	S	CLUTCH AND DRUM KIT Includes items 9-12
9	UP04118	1	/P	SPACER
10	UP04275	1	S	WASHER-Flat
11	UP04103	2	S	CLUTCH
12	UP04104	1	S/P	CONNECTOR AND DRUM
13	UP02995	1	S	SHORT BLOCK (See "Engine Internal" illustration and parts list)
E	UP02963	1		COMPLETE STARTER ASSEMBLY Includes items 14-19
14	UP04164	3	S	SCREW-Thread Form (8-16 X 1/2") Torque Specs 10-20 In/Lbs, 1.1-2.3 Nm.
15	UP03013	1	S	BAFFLE-Air
16	UP03012	1	S	PULLEY-Starter
17	UP03912	1	S	ROPE-Starter (42")
18	UP03917	1	S	SPRING & CONTAINER
19	UP03026	1	S	GRIP-Starter (Yellow)
20	UP02964	1		HOUSING-Rear Kit Includes item 21
21	UP03900	2	S/P	SCREW-Plastite (10-14 X 3/4") Torque Specs 30-50 In/Lbs, 3.4-5.6 Nm.
22	UP03406	4	S	SCREW-Taptite (10-24 X 3/4") Torque Specs 30-40 In/Lbs, 3.4-4.5 Nm.
23	UP02967	1	S	CONTROL HANDLE ASSY. Includes items 24-30
24	UP03015	1	S/P	TRIGGER-Throttle
25	UP03014	1	S	THROTTLE INTERLOCK
26	UP03833	1	S/P	SWITCH
27	UP03895	4	S	SCREW-Taptite (10-14 X 7/8") Torque Specs 30-50 In/Lbs, 3.4-5.6 Nm.
28	UP03406	4	S	SCREW-Taptite (10-24 X 3/4") Torque Specs 30-50 In/Lbs, 3.4-5.6 Nm.
29	UP03020	1	S	CABLE-Throttle
30	UP04566	1	/P	LEAD-Electrical
31	UP03114	1	S/P	CONTROL HANDLE ASSY. Includes items 32-38
32	UP03207	1	S/P	TRIGGER-Throttle Includes item 33



d825sb Plus String Trimmer UT-15152  
Ignition - Rotor - Starter - Clutch

Page 9 of 13

Ref #	Part Number	Qty	S/P/F	Description
33	UP03210	1	S	SPRING
34	UP03173	1	S	THROTTLE INTERLOCK
35	UP04197	1	S/P	SWITCH
36	UP04247	9	S	SCREW-Taptite (10-14 X 1") Torque Specs 30-50 In/Lbs, 3.4-5.6 Nm.
37	UP03172	1	S	CABLE-Throttle
38	UP03174	1	S	LEAD-Electrical



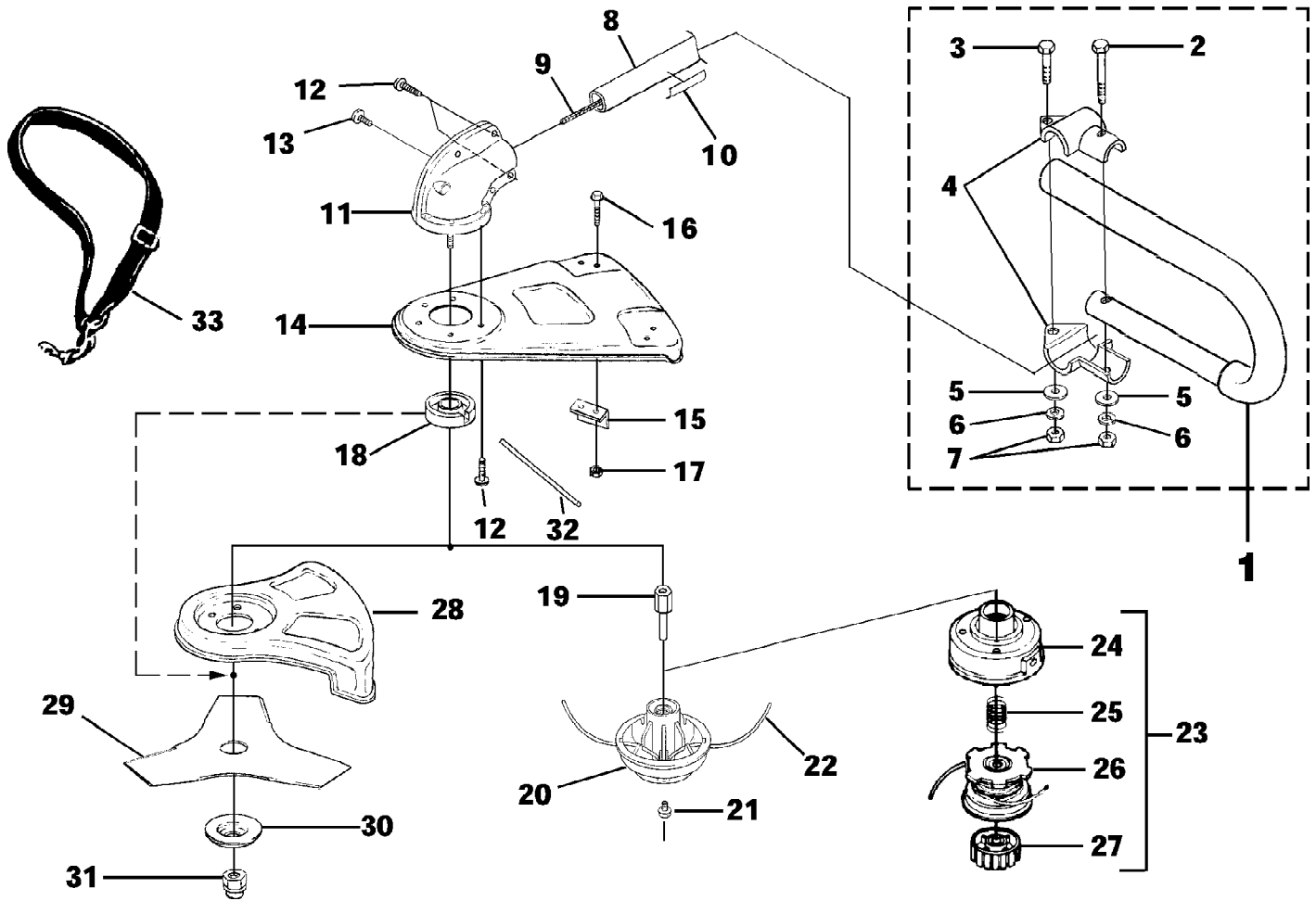
d825sb Plus String Trimmer UT-15152  
Muffler - Air Cleaner

Page 11 of 13

Ref #	Part Number	Qty	S/P/F	Description
A	UP04634	1	S/P	MUFFLER ASSY. Includes items 1-4
1	UP04248	3	S	SCREW, Taptite- (8-32 X 3/8") Torque Specs 25-35 In/Lbs, 2.8-4.0 Nm.
2	UP04629	1	S	SCREEN-Spark
3	UP04710	1	S	GASKET-Muffler
4	UP04258	2	S	SCREW, Truss Hd. - (10-24 X 2.188) Torque Specs 50-60 In/Lbs, 5.6-6.8 Nm.
D	A04707A	1	/P	AIR FILTER KIT (Non-Clutch) Includes items 5-10
5	D98760B	1	S	FILTER-Air
6	UP06341	1	S	BUTTON-Switch
7	UP04716	1	S/P	SPRING-Compression
8	UP04082	1	S	SCREW-Thread Form (6-19 x 1/2") Torque Specs 5-10 In/Lbs, .6-1.1 Nm.
9	UP04690	1	S	LEAD-Electrical
10	UP03885	2	S	NUT-Hex (10-24) Torque Specs 30-40 In/Lbs, 3.4-4.5 Nm.
D	UP00022	1	S	AIR FILTER KIT (Clutch) Includes items 5 & 10
5	D98760B	1	S	FILTER-AIR
10	UP03885	2	S	NUT-Hex (10-24) Torque Specs 30-40 In/Lbs, 3.4-4.5 Nm.

d825sb Plus String Trimmer UT-15152

Shaft - Spool & String - Grass Deflector - Blade Guard - Blade



Ref #	Part Number	Qty	S/P/F	Description
1	UP06534	1	/P	HANDLE ("J") Includes items 2-7
2	UP04154	1	S	SCREW-Hex Hd. (1/4-20 X 1 1/2")
3	UP04158	1	S/P	SCREW-Hex Hd. (1/4-20 X 1")
4	UP04105	2	S	CLAMP-Handle Bar
5	UP04251	2	S/P	WASHER-Flat (1/4")
6	UP03409	2	S/P	WASHER-Lock (1/4")
7	UP03399	2	S	NUT-Hex (1/4-20) Torque Specs 90-100 In/Lbs, 10.2-11.3 Nm.
8	UP02969	1	S	DRIVESHAFT HOUSING Includes items 9-10
9	UP04717	1	S	DRIVESHAFT-Flexible
10	UP04352	1	S/P	DECAL-Warning
11	UP06970	1	/P	GEAR HEAD Includes items 12-13
12	UP04157	5	S/P	Screw, Taptite Hex Hd. (10-24 x 1/2") Torque Specs 15-20 In/Lbs, 1.7-2.3 Nm.
13	UP04155	2	S	Screw-Hex Hd. (10-24 x 5/8") Torque Specs 40-50 In/Lbs, 4.5-5.6 Nm.
14	A04683A	1	/P	GRASS DEFLECTOR KIT Includes items 15-17
15	UP04538	1	S/P	BLADE-Cut-Off
16	UP04149	2	S/P	SCREW-Mach. Hex Hd. (10-24 X 3/8")
17	UP03885	2	S	NUT-Hex (10-24) Torque Specs 30-50 In/Lbs, 3.4-5.6 Nm.
18	UP04126	1	S/P	WASHER-Flanged
19	UP04128	1	S	ADAPTER-Shaft Torque Specs 100-120 In/Lbs, 11.3-13.6 Nm.
20	DA09364	1	S	STRINGHEAD-Pro-Cut w/line (UT15151, UT15154, UT20722, UT20723, UT15157) Includes items 21-22
21	UP04102	1	S	SCREW-(5/16-18 x 5/8") Torque Specs 40-60 In/Lbs, 4.5-6.8 Nm.
22	D09365	1	S	LINE-Replacement
23	DA04591A	1	S/P	STRINGHEAD-Complete (.095") (UT15152, UT15160, UT15159R, UT15204) Includes items 24-27
24	UP06567	1	S	HOUSING & EYELET (Dual Line)
25	UP06526	1	S/P	SPRING-Compression
26	UP00147	1	S/P	SPOOL & STRING (.095")
27	DA98866A	1	S	RETAINER-Spool (R.H. Thread, Black)
28	UP04535	1	S/P	BLADE GUARD
29	UP06729	1	S/P	BLADE-Tri-Arc(TM)
30	UP04129	1	S	WASHER-Cupped (Lower)
31	UP03492	1	/P	NUT-Hex (5/16-18) (R.H.) Torque Specs 100-120 In/Lbs, 11.3-13.6 Nm.
32	UP04100	1	S	TOOL-Holding Pin
33	UP00108	1	S	HARNESS