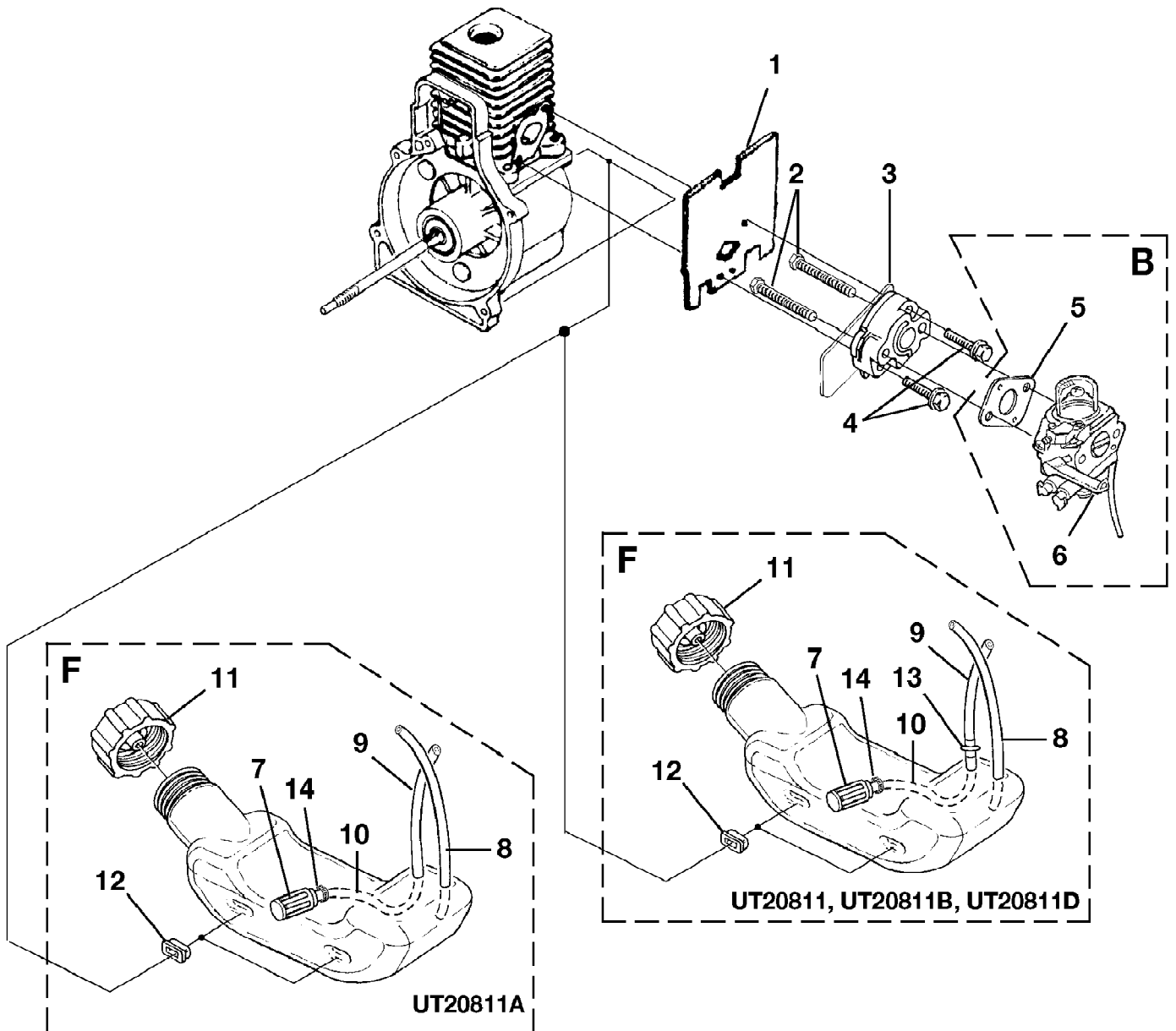


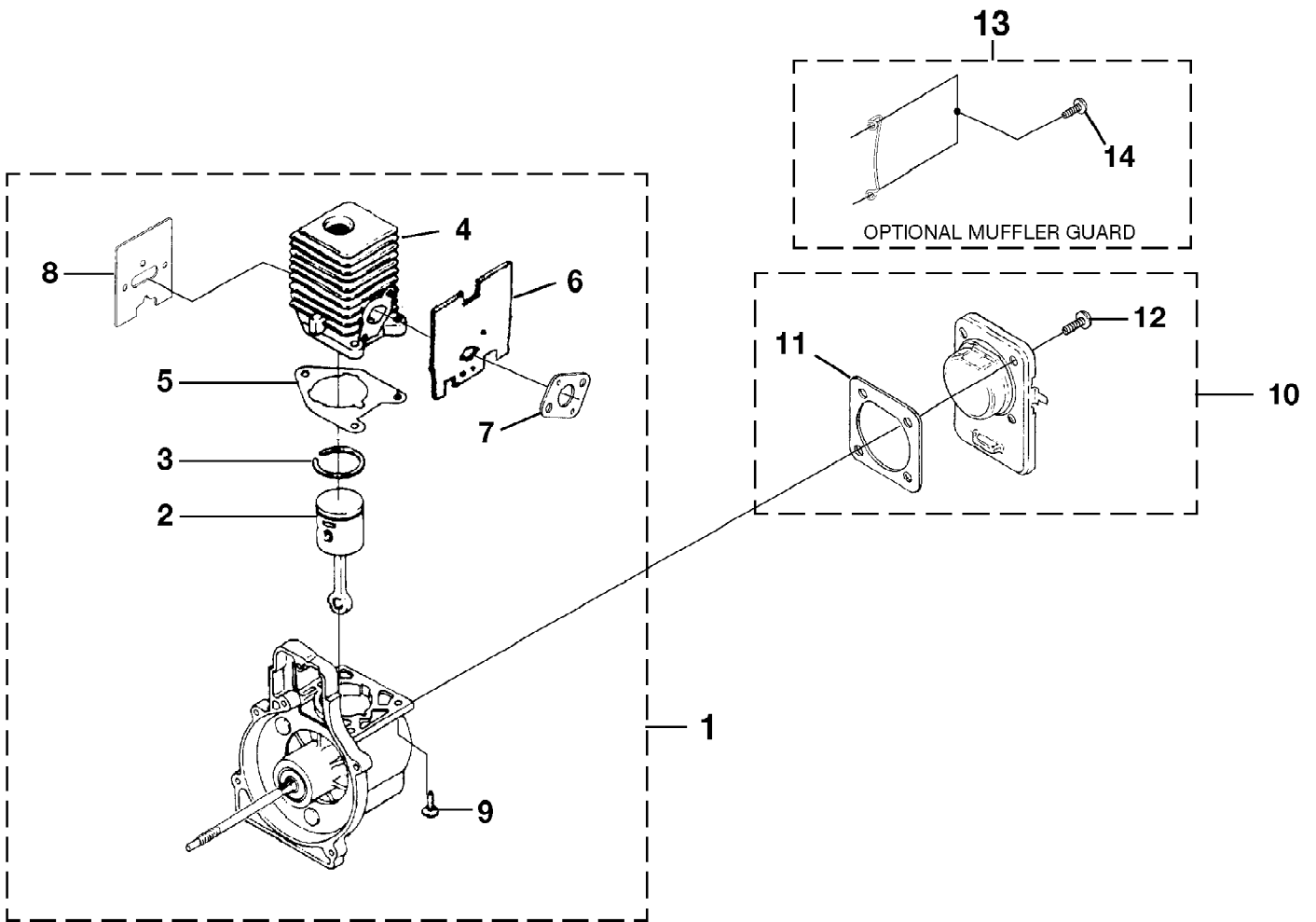
No  
Diagram  
Available  
  
Parts List  
Only

Ref #	Part Number	Qty	S/P/F	Description
	18453	1	/P	GREASE, MULTI-PURPOSE
	23488C	1		THREAD LOCKING COMPOUND
	PS24306	1	/P	MODULE AIR GAP SHIM
	A04191	1		GRASS ANTI-WRAP KIT
	98052A	1	/P	STARTER ROPE (250 Ft. Reel)
	2498203	1	S	TORX BIT (T25) (For Clutch Drums)
	1856601	1	/P	TORX BIT (T27)
	JA313164	1		IGNITION TEST SPARK PLUG.
	9477299	1	/P	RUBBER TUBING (10 Ft.)
	DA03001A	1	S/P	STRINGHEAD-Complete - E-Z Line" (.080 Line) (Right Hand Thread) (Black Retainer)
	DA04592A	1	S/P	STRINGHEAD-Complete - E-Z Line" (.080 Line) (Left Hand Thread) (Red Retainer)
	9801106	1		REPLACEMENT STRING - E-Z Line™ (3 lb. Box) (.080" Dia.)
	DA04591A	1	S/P	STRINGHEAD-Complete - E-Z Line" (.095 Line) (Right Hand Thread) (Black Retainer)
	DA03174A	1	S/P	STRINGHEAD-Complete - E-Z Line" (.095 Line) (Left Hand Thread) (Red Retainer)
	0395904	1		REPLACEMENT STRING - E-Z Line (3 lb. Box). (.095" Dia.)
	DA09364	1	S	STRINGHEAD-Complete-Pro-Cut Fixed Line Head (.105" Dia.)
	D09365	1	S	REPLACEMENT Dura Line™ (.105" Dia.) (Cartridges for Pro-Cut™ Fixed Line Head)
	A06933	1		SAFETY GOGGLES
	03036	1		DUST MASK UP
	UP00108	1	S	COMFORT STRAP
	UT15511	1		BA250 (Blower Attachment) YARDSMART® Attachments
	UT15512	1		BCA250 (Brushcutter Attachment) YARDSMART® Attachments
	UT15513	1		EA250 (Edger Attachment) YARDSMART® Attachments
	UT15514	1		CA250 (Cultivator Attachment) YARDSMART® Attachments
	D98717C	1	S/P	TRI-ARC™ BLADE FOR USE ON BRUSHCUTTER UNITS ONLY



Torque Specs			
Item No.	In/Lbs	Nm	Required Loctite
4	35-45	4.0-5.1	Red 262

Ref #	Part Number	Qty	S/P/F	Description
1	06900A	1	/P	GASKET-Heat Dam
2	04474	2	/P	SCREW-Machine (10-24 X 2 1/4")
3	98768A	1	/P	HEAT DAM
4	093221	2	S/P	SCREW-Sems (10-24 X 1")
B	UP05085A	1	/P	CARBURETOR KIT Includes items B-6
5	98766A	1	S/P	GASKET-Carburetor
6	PS02306	1	/P	LEVER-Choke
F	UP00020A	1	S/P	FUEL TANK ASSY. (UT20811 & B & D) Includes items F-14
7	PS03380	1	/P	FILTER-Fuel
8	0143918	1	/P	TUBING-Rubber
9	0143910	1	/P	TUBING-Rubber
10	9477213	1	/P	TUBING-Rubber
11	A09116	1	S/P	FUEL CAP
12	98792	3	/P	BUMPER-Rubber
13	07332	1	S/P	FITTING-Inline
14	98268	1	S/P	CLAMP
F	UP08034A	1		FUEL TANK ASSY. (UT20811A) Includes items F,7,8,9,11,12,14
7	PS03380	1	/P	FILTER-Fuel
8	0143924	1		TUBING-Rubber (6")
9	0143931	1		TUBING-Rubber (7.75")
11	A09116	1	S/P	FUEL CAP
12	98792	3	/P	BUMPER-Rubber
14	98268	1	S/P	CLAMP

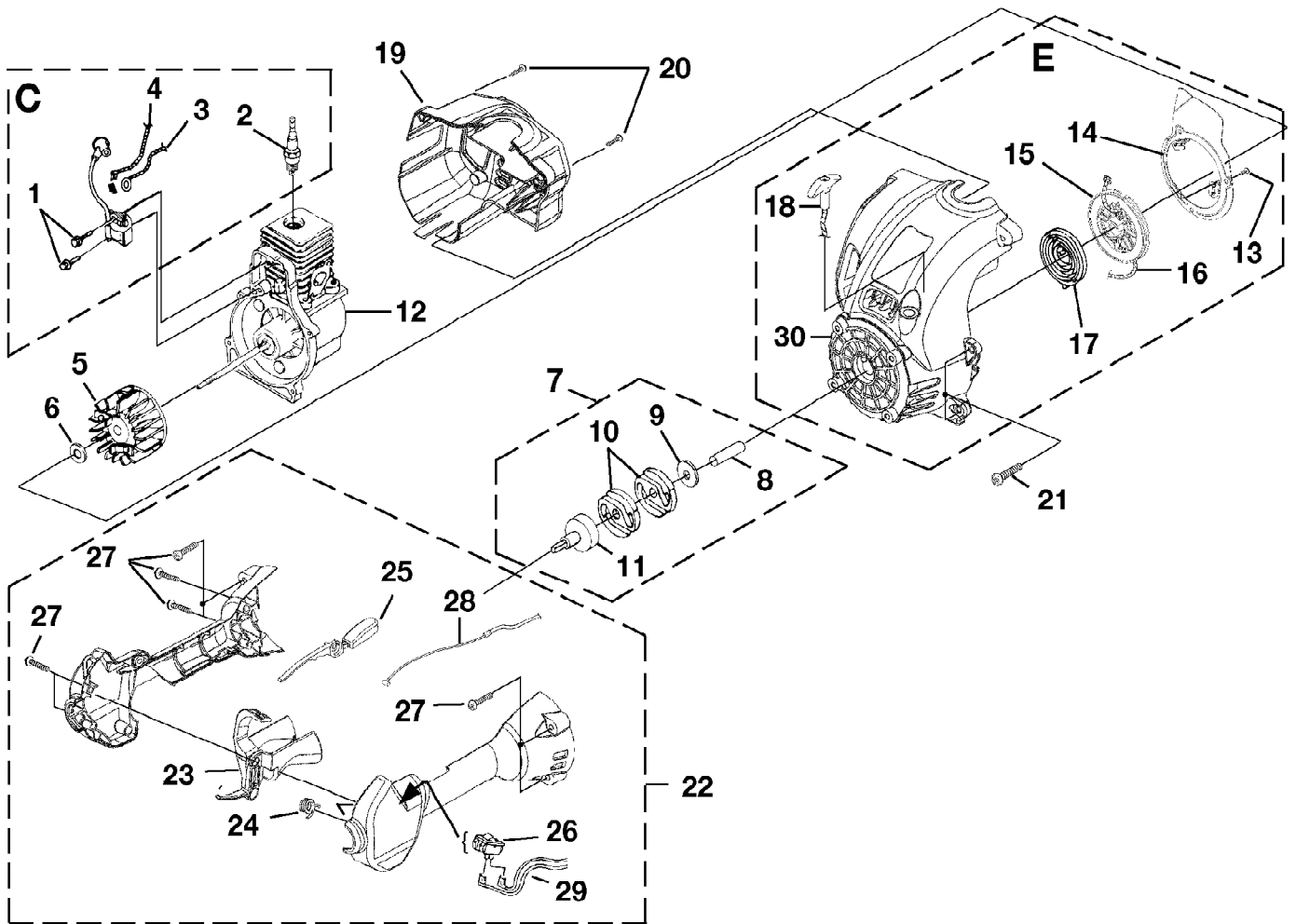


Item No.	Torque Specs		Required Loctite
	In/Lbs	Nm	
9	55-65	6.2-7.3	Red 262
12	35-45	4.0-5.1	Red 262
14	5-20	.6-2.3	

Versa Tool String Trimmer UT-20811  
Engine Internal

Page 6 of 12

Ref #	Part Number	Qty	S/P/F	Description
1	984546-001	1	S	SHORT BLOCK
2	UP06937A	1	/P	PISTON & ROD ASSY.
3	985607001	1	/P	RING-Piston
4	UP06940	1		CYLINDER ASSY.
5	985259001	1	S/P	GASKET-Cylinder
6	06900A	1	/P	GASKET-Heat Dam
7	98766A	1	S/P	GASKET-Carburetor
8	09343	1	/P	GASKET-Muffler
9	PS02807	3	/P	SCREW-Sems (12-24 X 3/4")
10	UP00019A	1	/P	CRANKCASE COVER ASSEMBLY Includes items 10-12
11	08661	1	/P	GASKET-Crankcase Cover (Also included w/short block)
12	PS01565	4	/P	SCREW-Sems (10-24 X 1/2")
13	09366	3		MUFFLER GUARD Includes items 13-14
14	82541	2	/P	SCREW-Plastite (10-14 X 1/2")



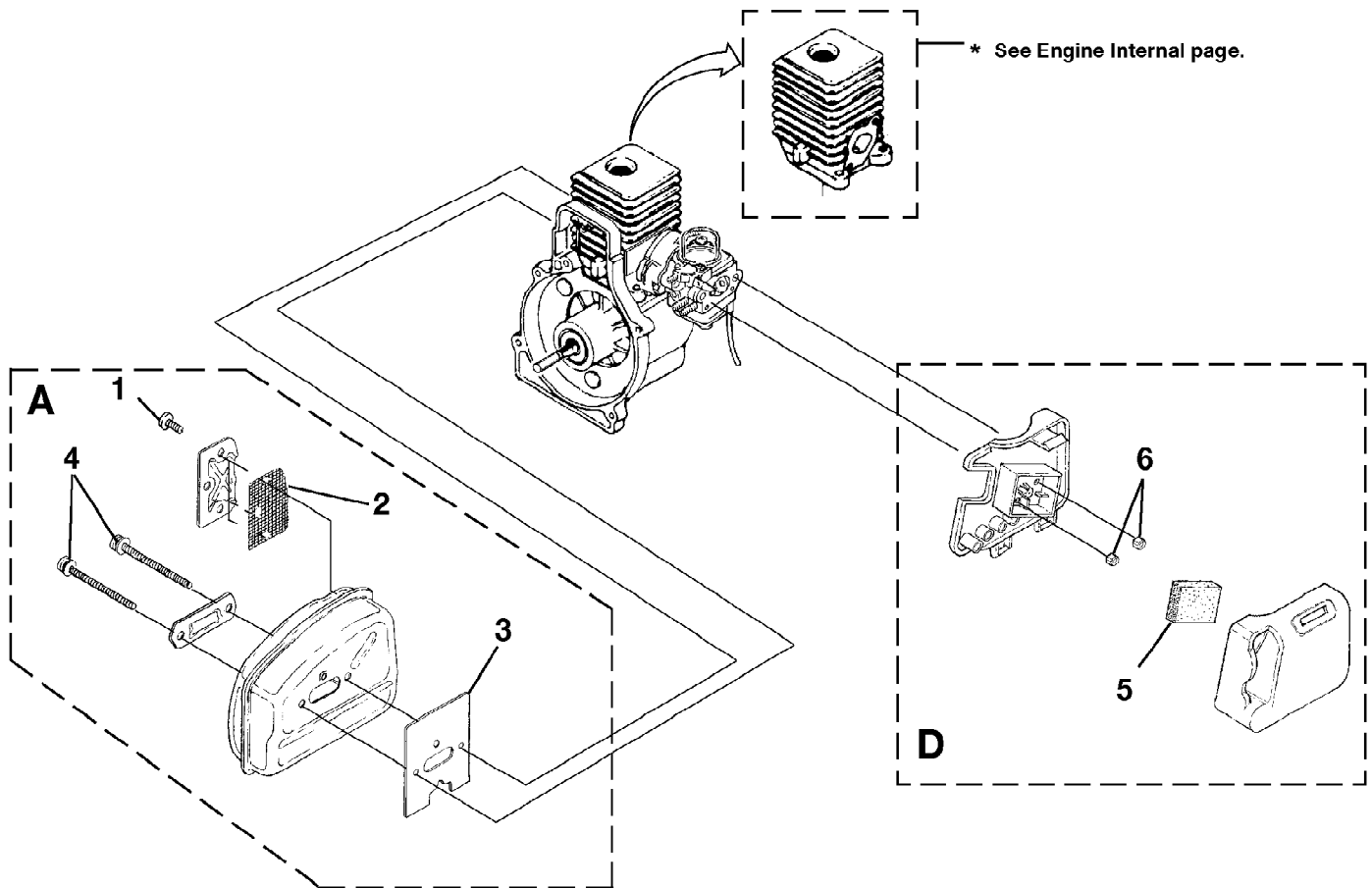
Item No.	Torque Specs		Required Loctite
	In/Lbs	Nm	
1	30-40	3.4-4.5	Blue 242
2	120-180	13.6-20.3	
13	10-20	1.1-2.3	
20	30-50	3.4-5.6	
21	30-40	3.4-4.5	
27	30-50	3.4-5.6	

Versa Tool String Trimmer UT-20811  
Ignition - Rotor - Starter - Clutch

Page 8 of 12

Ref #	Part Number	Qty	S/P/F	Description
C	UP05270	1		IGNITION KIT Includes items C-4
1	82540	2	/P	SCREW-Taptite (8-32 X 1")
2	PS02227	1	S/P	SPARK PLUG
3	A06964	1	/P	LEAD-Electrical
4	A06963	1	/P	LEAD-Electrical
5	984521-001	1		ROTOR KIT
6	PS84065	1	S/P	WASHER-Flat
7	UP00034A	1	/P	CLUTCH AND DRUM KIT Includes items 7-11
8	PS04300	1	S/P	SPACER
9	98929A	1	S/P	WASHER-Flat
10	00242	2	/P	CLUTCH
11	PA01613	1	S/P	CONNECTOR AND DRUM
12	984546-001	1	S	SHORT BLOCK See "Engine Internal"
E	UP02962A	1	/P	COMPLETE STARTER ASSEMBLY Includes items E-18
13	82543	3	/P	SCREW-Thread Form (8-16 X 1/2")
14	PS01123	1	/P	BAFFLE-Air
15	PS01122	1	/P	PULLEY-Starter
16	9789902	1	S/P	ROPE-Starter (42")
17	A98773A	1	S/P	SPRING & CONTAINER
18	5946702	1	S/P	GRIP-Starter
19	PS01127	1		HOUSING-Rear
20	82537	2	/P	SCREW-Plastite (10-14 X 7/8")
21	82538	4	/P	SCREW-Taptite (10-24 X 3/4")
22	UP06755A	1	/P	CONTROL HANDLE ASSY. Includes items 22-29
23	PS01814	1	S	TRIGGER-Throttle
24	PS01718	1	/P	SPRING
25	PS01128	1	/P	THROTTLE INTERLOCK
26	PS02764	1	/P	SWITCH
27	82589	9	/P	SCREW-Taptite (10-14 X 1")
28	PS01177	1	/P	CABLE-Throttle
29	PA00387	1	/P	LEAD-Electrical
30	PA01165	1		Starter Housing W/Eyelet



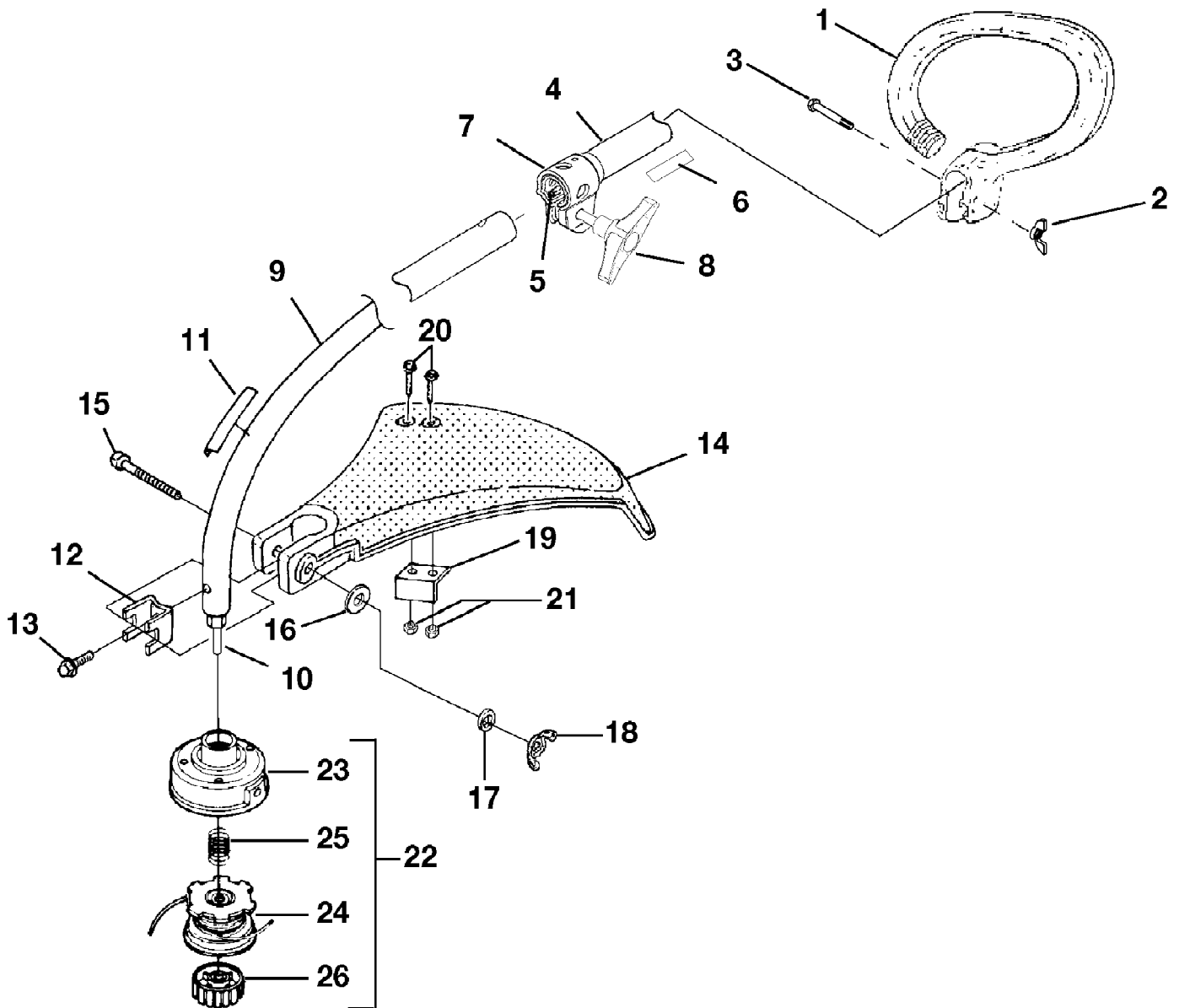


Item No.	Torque Specs		Required Loctite
	In/Lbs	Nm	
1	25-35	2.8-4.0	
4	50-60	5.6-6.8	
6	30-40	3.4-4.5	

Versa Tool String Trimmer UT-20811  
Muffler - Air Cleaner

Page 10 of 12

Ref #	Part Number	Qty	S/P/F	Description
A	PA01614	1	S/P	MUFFLER ASSY. (UT20811 & B & D)
	PA01073	1	/P	MUFFLER ASSY. (UT20811A)
1	82600	3	/P	SCREW, Taptite- (8-32 X 3/8")
2	06502	1	/P	SCREEN-Spark
3	09343	1	/P	GASKET-Muffler
4	88083	2	S/P	SCREW, Truss Hd. - (10-24 X 2.188)
D	UP05084A	1	/P	AIR FILTER KIT Includes items D-6
5	98760	1	/P	FILTER-AIR
6	81208	2	/P	NUT-Hex (10-24)



Item No.	Torque Specs		Required Loctite
	In/Lbs	Nm	
2	5-25	.6-2.8	
13	15-25	1.7-2.8	
18	5-25	.6-2.8	
21	30-40	3.4-4.5	

Versa Tool String Trimmer UT-20811  
Shaft - Spool & String - Grass Deflector

Page 12 of 12

Ref #	Part Number	Qty	S/P/F	Description
1	UP06959A	1	S/P	HANDLE-Anti-Vibe Includes items 1-3
2	93992	1	/P	NUT-Wing, Washer Faced (1/4-20)
3	80295	1	/P	SCREW-Cap Hex Hd. (1/4-20 x 2")
4	UP03850A	1	/P	DRIVESHAFT ASSY. (Upper) Includes items 4-5
5	PS02278	1	/P	FLEXSHAFT w/Collar & Liner
6	PS02750	1	/P	DECAL-Warning
7	UP03839A	1	/P	COUPLER ASSEMBLY Includes items 7-8
8	PS02071	1	/P	KNOB
9	UP03851A	1	S/P	DRIVESHAFT HOUSING (Lower) Includes items 9-13
10	07674	1	S	SHAFT-Flex
11	PS02750	1	/P	DECAL-Warning
12	07928	1	S/P	CLAMP
13	PS05243	1	/P	SCREW-Sems Hex (10-24 X 3/8")
14	UP06710A	1	S/P	DEFLECTOR & BLADE KIT (55 Deg.) Includes items 14-21
15	80295	1	/P	SCREW-Cap Hex Hd. (1/4-20 X 2")
16	84006	1	/P	WASHER-Flat (1/4")
17	83009	1	/P	WASHER-Lock (1/4")
18	93992	1	/P	NUT-Wing, Washer Faced (1/4-20)
19	07129	1	/P	BLADE-Cut-Off
20	82531	2	/P	SCREW-Mech. Hex Hd. (10-24 X 7/8")
21	81208	2	/P	NUT-Hex (10-24)
22	UP04408A	1	/P	STRINGHEAD-Complete (.080") Includes items 22-26
23	A98231A	1	S/P	HOUSING & EYELET (Dual Line)
24	PA0387A	1	S	SPOOL & STRING (.080")
25	06713	1	/P	SPRING-Compression
26	A98866A	1	S/P	RETAINER-Spool (RH Thread, Black)