

HOMELITE 26cc STRING TRIMMERS - MODEL NUMBERS UT32000 AND UT32050

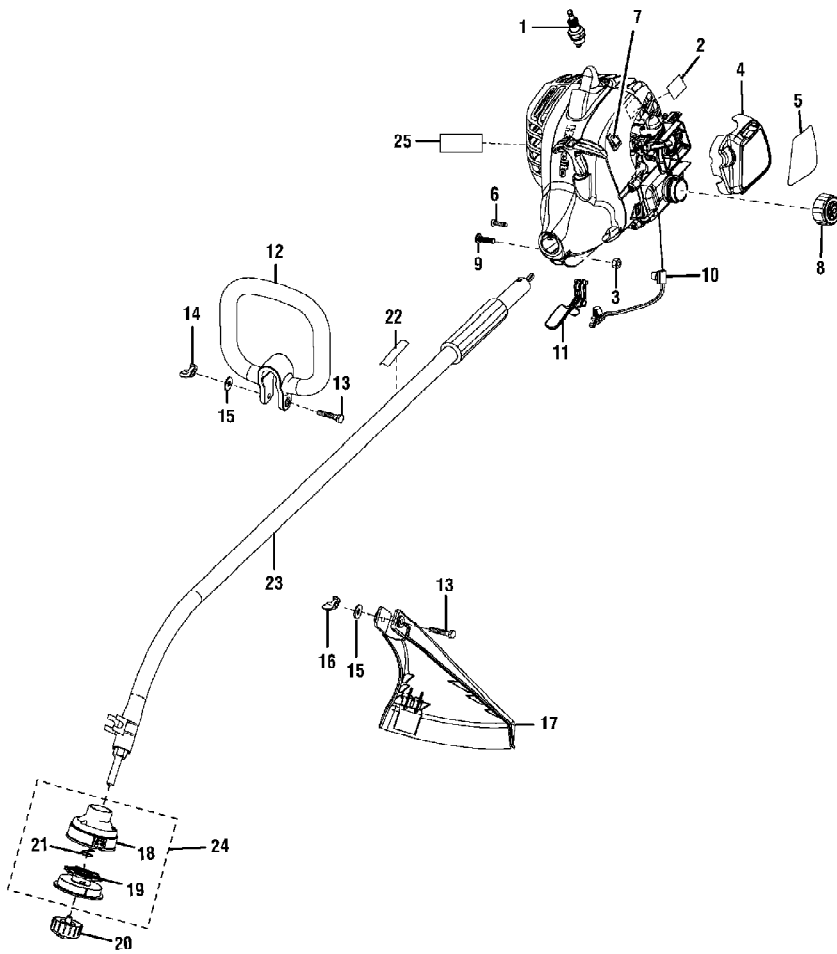


Figure A

UT32000 26cc String Trimmer
Figure A

Page 2 of 6

Ref #	Part Number	Qty	S/P/F	Description
1	870174001	1	/P	Spark Plug (Champion RCJ6Y) Purchase locally
2	940991038	1		Logo Label
3	678029002	1	S	Hex Nut (M6)
4	519823001	1		Air Box Cover
5	940734059	1		Starting Label
6	660634001	1	/P	Screw (8-16 x 5/16 in.)
7	760700002	1	S	Switch
8	308680001	1		Fuel Cap
9	660697002	1		Bolt (M6 x 20 mm)
10	270032001	1		Throttle Cable
11	518529001	1		Throttle Trigger
12	518674001	1		Handle
13	660643009	2		Bolt (1/4-20 x 45 mm)
14	518949001	1		Wing Nut (1/4-20)
15	678008001	2		Washer (1/4-20)
16	678034001	1		Wing Nut (1/4-20)
17	T308744001	1	/P	Curved Shaft Grass Deflector (Incl. Key Nos. 13 and 15-16)
18	308746002	1		Dual String Head Housing
19	308044007	1	S	Dual Line Spool and String (0.080 in.)
20	308042002	1	/P	Spool Retainer
21	678022001	1	S	Spring
22	940964009	1		Warning Label
23	308740009	1		Boom Assembly
24	308743002	1		String Head Assembly (Incl. Key Nos. 18-19 and 21)
25	940654088	1		Combusion Warning Label
	987000815	1		Operator's Manual (960089006)

HOMELITE 26cc STRING TRIMMERS - MODEL NUMBERS UT32000 AND UT32050

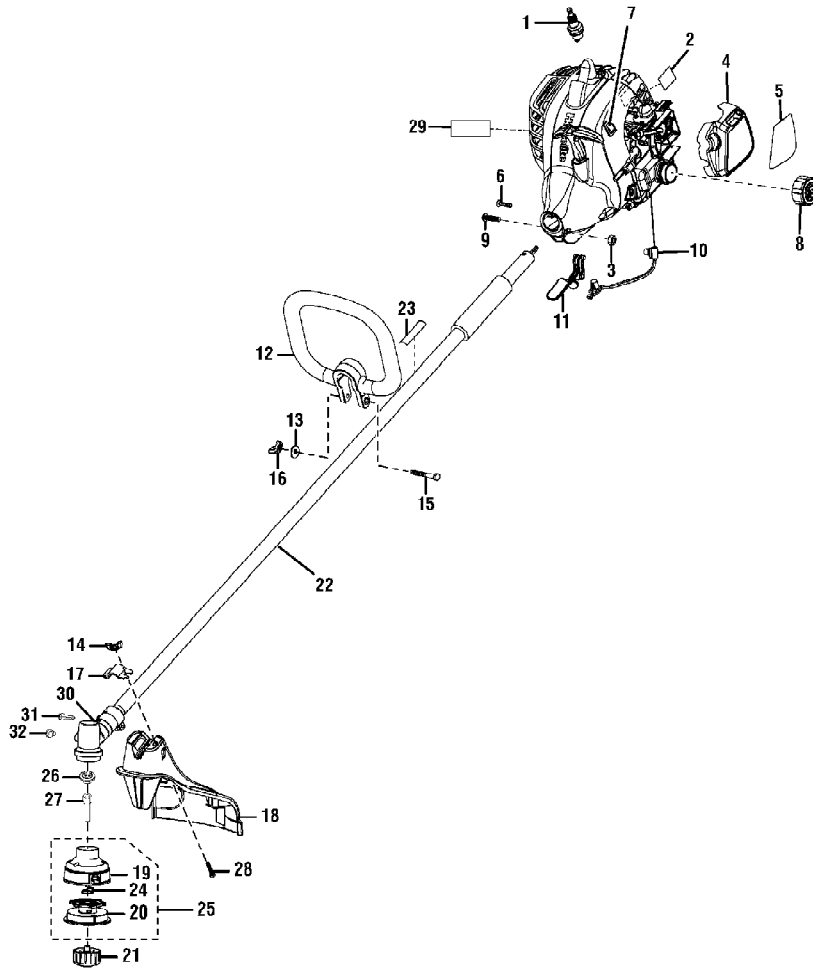


Figure B

UT32000 26cc String Trimmer
Figure B

Page 4 of 6

Ref #	Part Number	Qty	S/P/F	Description
1	870174001	1	/P	Spark Plug (Champion RCJ6Y) Purchase locally
2	940991039	1		Logo Label
3	678029002	1	S	Hex Nut (M6)
4	519823001	1		Air Box Cover
5	940734059	1		Starting Label
6	660634001	1	/P	Screw (8-16 x 5/16 in.)
7	760700002	1	S	Switch
8	308680001	1		Fuel Cap
9	660697002	1		Bolt (M6 x 20 mm)
10	270032001	1		Throttle Cable
11	518529001	1		Throttle Trigger
12	518674001	1		Handle
13	678008001	1		Washer (1/4-20)
14	678034001	1		Wing Nut (1/4-20)
15	660643009	1		Bolt (1/4-20 x 45 mm)
16	518949001	1		Wing Nut (1/4-20)
17	678436001	1		Mounting Bracket
18	308781001	1		Straight Shaft Grass Deflector Incl. Key Nos. 14, 17, and 28)
19	308746002	1		Large String Head Housing
20	308044007	1	S	Dual Line Spool and String (0.080 in.)
21	308042003	1	/P	Spool Retainer
22	308401002	1		Boom Assembly (Incl. Key Nos. 26, 27, 31 and 32)
23	940964009	1		Warning Label
24	678022001	1	S	Spring
25	308743002	1		String Head Assembly (Incl. Key Nos. 19-20 and 24)
26	678011002	1	/P	Flanged Washer
27	678019002	1	/P	Arbor
28	660857001	1	S	Square Bolt (1/4-20 x 1 in.)
29	940654088	1		Combusion Warning Label
30	308210002	1	/P	Gear Head
31	660642001	1	S/P	Bolt (1/4-20 x 1-1/4 in.)
32	660641001	1	/P	Screw (10-24 x 5/8 in.)

HOMELITE 26cc STRING TRIMMERS - MODEL NUMBERS UT32000 AND UT32050

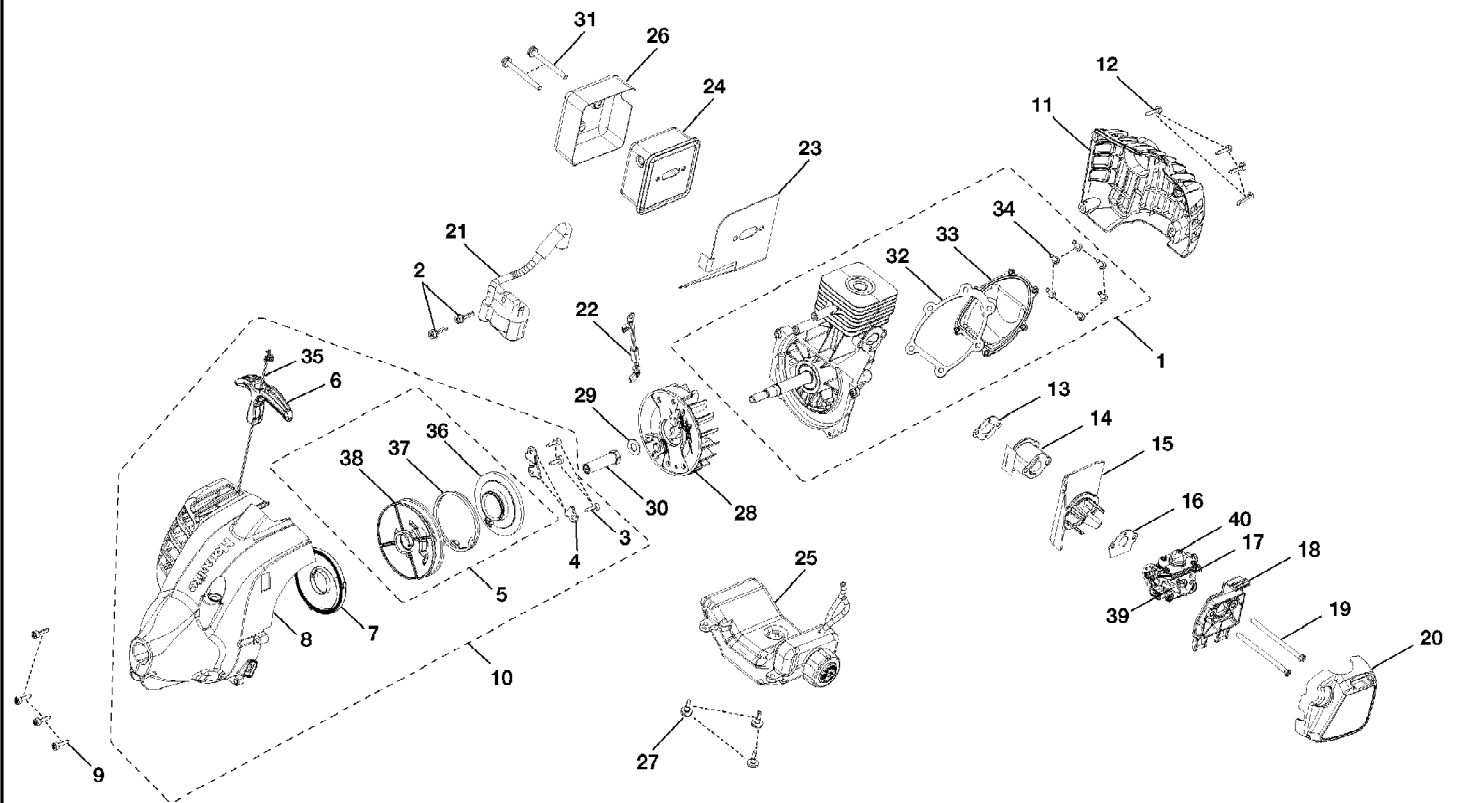


Figure C

Ref #	Part Number	Qty	S/P/F	Description
1	308891001	1		Short Block Assembly (Inc. Key Nos. 32-34)
2	660968001	2		Screw (M4 x 19 mm)
3	660967001	3		Screw (M4 x 14 mm)
4	638389001	3		Pulley Retainer
5	310022002	1		Starter Pulley Assembly
6	511731001	1	S	Pulley Handle (Inc. Key Nos. 36-38)
7	638033001	1	/P	Spring & Container Assembly
8	308672009	1		Front Housing
9	660970001	4		Screw (M4 x 16 mm)
10	308671012	1		Front Housing Assembly (Inc. Key Nos. 3-8; Plus Key Nos. 7, 10 and 11 from pages 2 & 4)
11	519824001	1		Rear Housing
12	660466001	4		Screw (M4 x 8 mm)
13	901551001	1		Intake Gasket
14	518497001	1		Heat Dam
15	519826001	1		Heat Dam Deflector
16	901552001	1		Carburetor Gasket
17	308054027	1		Carburetor
18	518766001	1		Air Box Base
19	660454007	2		Screw (M5 x 70 mm)
20	519823001	1		Air Box Cover
21	850108001	1		Ignition Module
22	308863001	1		Lead Assembly
23	901452001	1		Muffler Gasket
24	308990016	1		Muffler Assembly
25	308675001	1		Fuel Tank Assembly w/Cap
26	638442001	1		Heat Shield
27	660970002	3		Screw (M4 x 10 mm, Shoulder)
28	308811001	1		Flywheel Assembly
29	631049001	1	S/P	Washer
30	638348001	1		Drive Connector
31	660638003	2	S	Screw (10-24 x 2-3/16 in.)
32	901550001	1		Gasket
33	638337001	1		Crankcase Cover
34	660925003	6		Screw (M4 x 12 mm)
35	900849011	1		Starter Rope (49 in.)
36	519867001	1		Starter Plate
37	638412004	1		Torsion Return Spring
38	519866001	1		Rope Pulley
39	521523001	1		Choke Lever
40	561635001	1		Primer Bulb