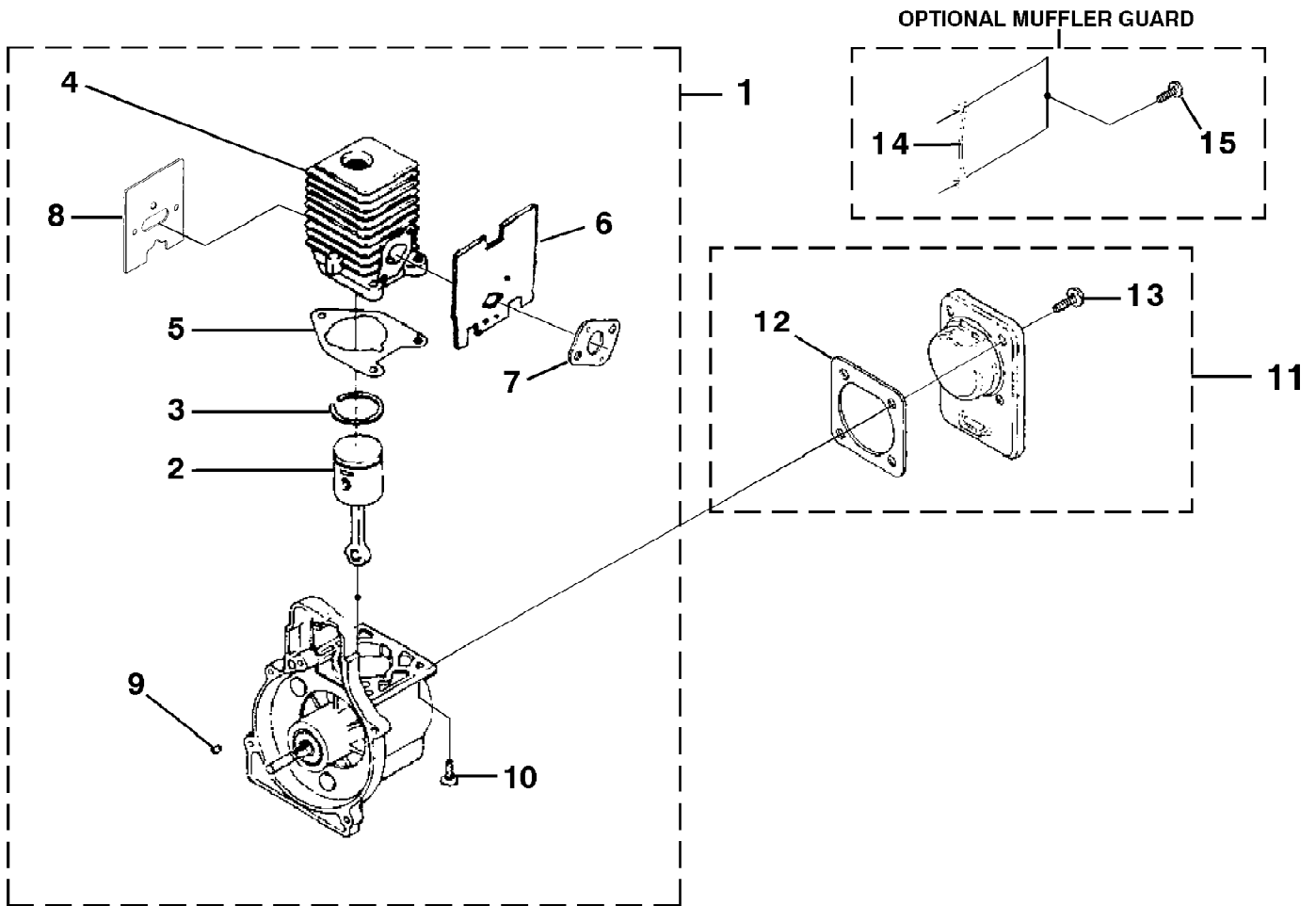


Item No.	Torque Specs		Required Loctite
	In/Lbs	Nm	
4	35-45	4.0-5.1	Red 262

TrimLite String Trimmer UT-20706
Carburetor - Fuel Tank

Page 2 of 10

Ref #	Part Number	Qty	S/P/F	Description
1	06900A	1	/P	GASKET-Heat Dam
2	04474	2	/P	SCREW-Machine (10-24 X 2 1/4")
3	98768A	1	/P	HEAT DAM
4	093221	2	S/P	SCREW-Sems (10-24 X 1")
B	UP00608	1	S	CARBURETOR KIT Include Items B,5
5	98766A	1	S/P	GASKET-Carburetor
F	UP00020A	1	S/P	FUEL TANK ASSY. Include Items F,13
6	PS03380	1	/P	FILTER-Fuel
7	0143918	1	/P	TUBING-Rubber
8	0143910	1	/P	TUBING-Rubber
9	9477213	1	/P	TUBING-Rubber
10	A09116	1	S/P	FUEL CAP
11	98792	3	/P	BUMPER-Rubber
12	07332	1	S/P	FITTING-Inline
13	98268	1	S/P	CLAMP

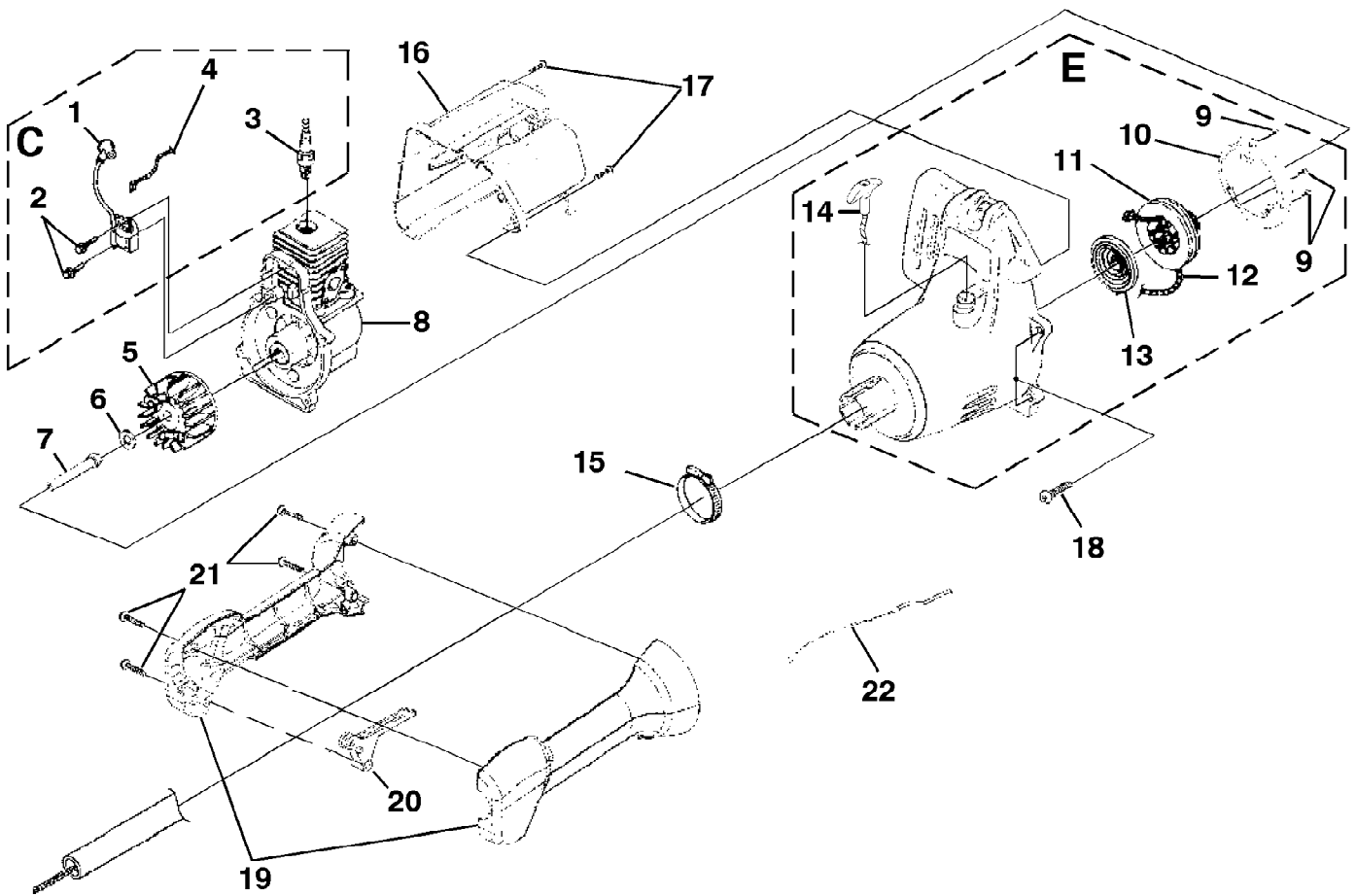


Item No.	Torque Specs		Required Loctite
	In/Lbs	Nm	
10	55-65	6.2-7.3	Red 262
13	35-45	4.0-5.1	Red 262
15	5-20	0.6-2.3	

TrimLite String Trimmer UT-20706
Engine Internal

Page 4 of 10

Ref #	Part Number	Qty	S/P/F	Description
1	UP00743A	1	/P	SHORT BLOCK Include Items 1-10
2	984544001	1	/P	PISTON & ROD ASSY. Include Items 2,3
3	PS01359	1	S/P	RING-Piston
4	UP07145A	1	/P	CYLINDER ASSY. Include Items 4-8
5	04388B	1	S/P	GASKET-Cylinder
6	06900A	1	/P	GASKET-Heat Dam
7	98766A	1	S/P	GASKET-Carburetor
8	09343	1	/P	GASKET-Muffler
9	69250	1	/P	KEY-Woodruff
10	PS02807	3	/P	SCREW (12-24 X .660")
11	UP00019A	1	/P	CRANKCASE COVER ASSEMBLY Include Items 11-13
12	06443A	1	S/P	GASKET-Crankcase Cover (Also included w/short block)
13	PS01565	4	/P	SCREW-Sems (10-24 X 1/2")
14	UP04099	1	/P	MUFFLER GUARD Include Items 13-14
15	82541	2	/P	SCREW-Thread Forming (10-14 X 1/2")

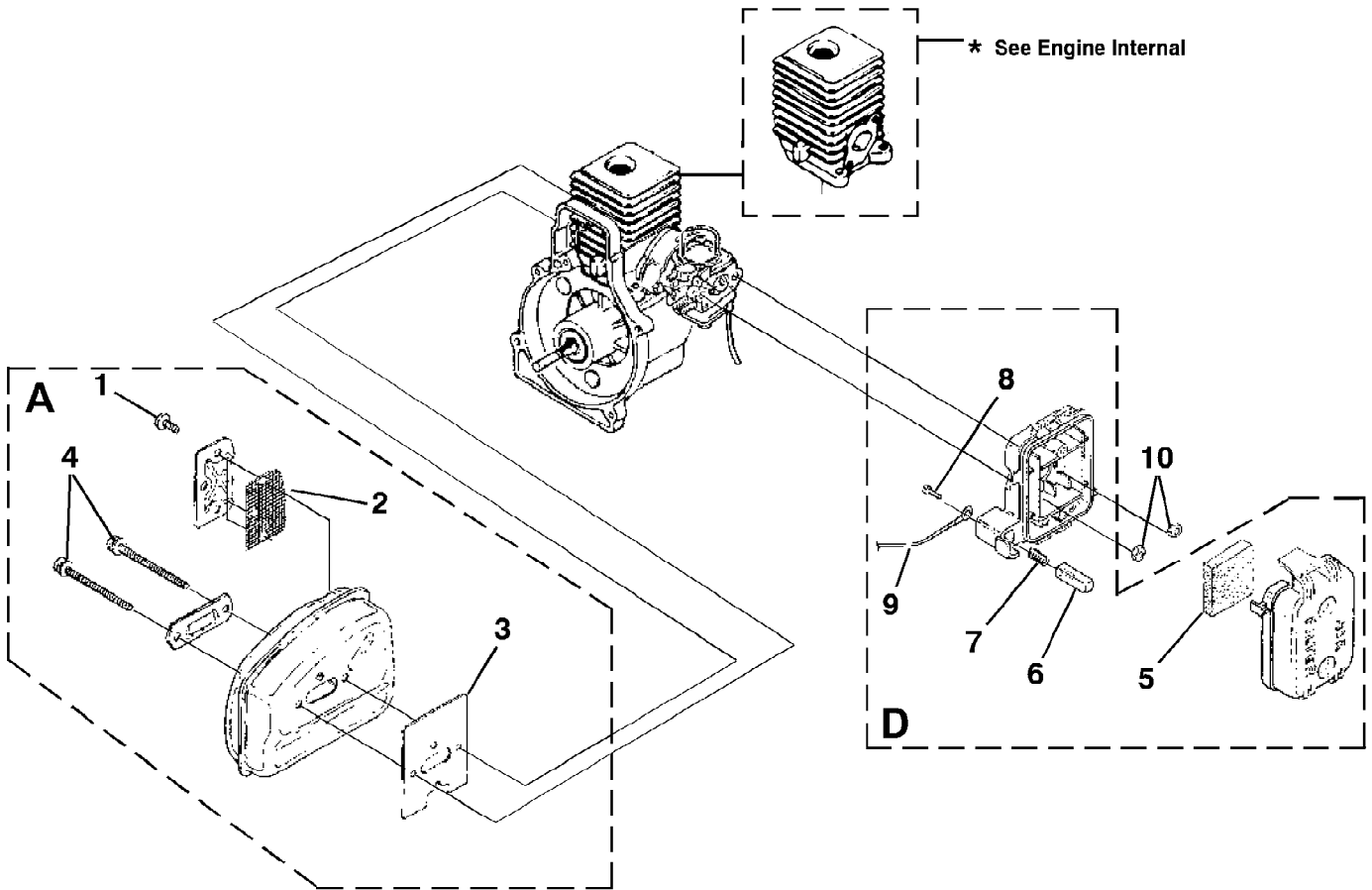


Item No.	Torque Specs		Required Loctite
	In./Lbs	Nm	
2	30-40	3.4-4.5	Blue 242
3	120-180	13.6-20.3	
7	100-150	11.3-16.9	
9	10-20	1.1-2.3	
15	40-50	4.5-5.6	
17	30-50	3.4-5.6	
18	30-40	3.4-4.5	
21	30-50	3.4-5.6	

TrimLite String Trimmer UT-20706
Ignition - Rotor - Starter

Page 6 of 10

Ref #	Part Number	Qty	S/P/F	Description
C	984873001	1	/P	IGNITION KIT Includes Items 1-4
1	94711C	1	S	IGNITION MODULE
2	82540	2	/P	SCREW-Taptite (8-32 X 1")
3	PS02227	1	S/P	SPARK PLUG
4	A07238	1	/P	LEAD-Electrical
5	UP03856A	1	/P	ROTOR KIT Includes Items 5, 6
6	95479A	1	/P	WASHER-Flat
7	98795A	1	/P	CONNECTOR-Drive (.250)
8	UP00743A	1	/P	SHORT BLOCK (See Engine Internal)
E	UP03092A	1	/P	COMPLETE STARTER ASSEMBLY Includes Items E-14
9	82543	3	/P	SCREW-Taptite(8-16 X 1/2")
10	PS00326	1	/P	BAFFLE-Air
11	98770A	1	/P	PULLEY-Starter
12	9789902	1	S/P	ROPE-Starter (42")
13	A98773A	1	S/P	SPRING & CONTAINER
14	PS00179	1	/P	GRIP-Starter
15	PS01611	1	S/P	CLAMP
16	09210	1	/P	HOUSING-Rear Engine
17	82537	2	/P	SCREW-Taptite (10-14 X 7/8")
18	82538	4	/P	SCREW-Taptite (10-24 X 3/4")
19	UP03091A	1	/P	CONTROL HANDLE ASSY. Includes Items 19-21
20	088331	1	/P	TRIGGER-Throttle
21	82537	4	/P	SCREW-Taptite (10-14 X 7/8")
22	0883202	1	S/P	CABLE-Throttle

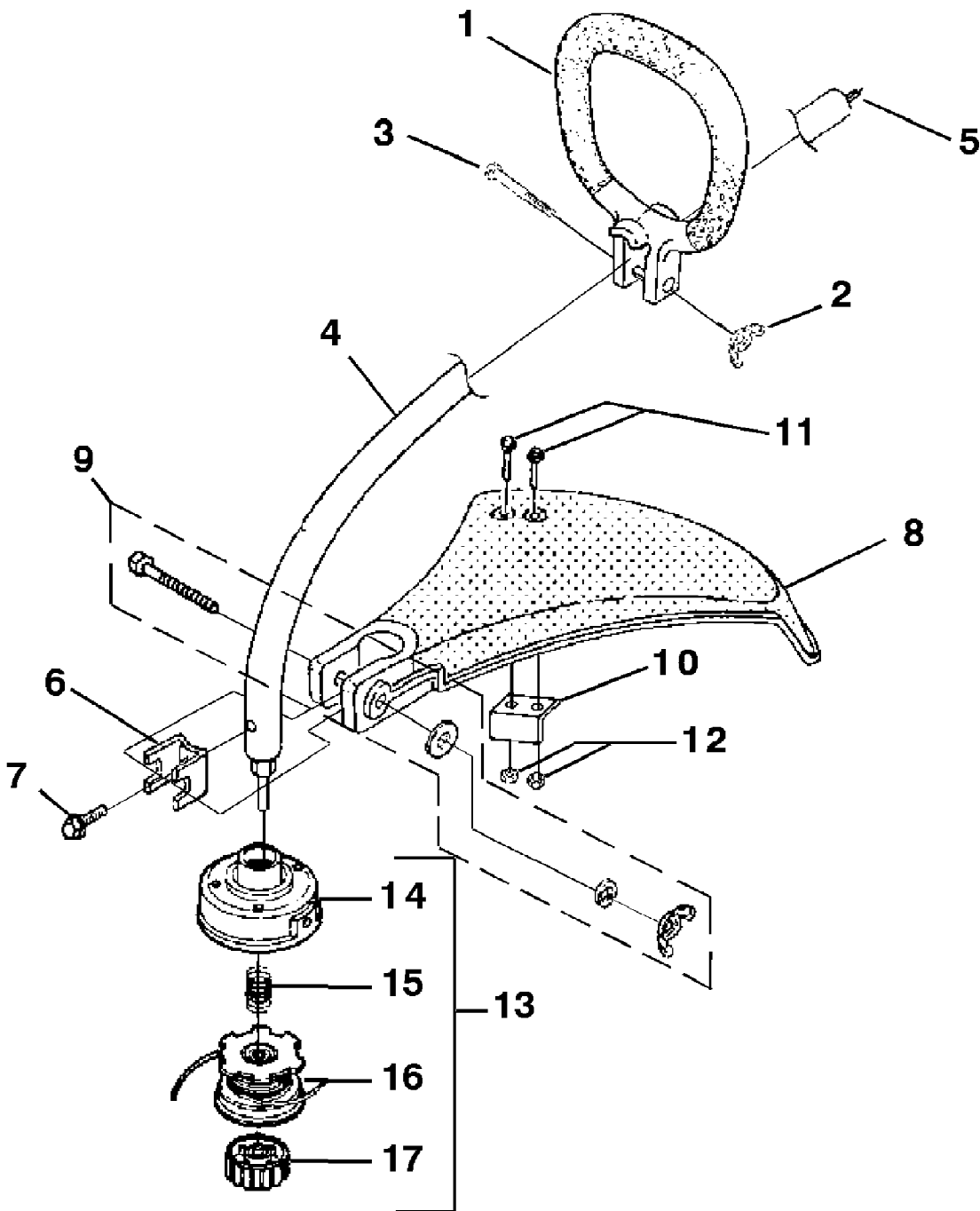


Item No.	Torque Specs		Required Loctite
	In./l bs	Nm	
1	25-35	2.8-4.0	
4	50-60	5.6-6.8	
8	5-10	0.6-1.1	
10	30-40	3.4-4.5	

TrimLite String Trimmer UT-20706
Muffler - Air Cleaner

Page 8 of 10

Ref #	Part Number	Qty	S/P/F	Description
A	A07142AA	1	/P	MUFFLER ASSY. Include Items A-4
1	82600	3	/P	SCREW, Taptite- (8-32 X 3/8")
2	06502	1	/P	SCREEN-Spark
3	09343	1	/P	GASKET-Muffler
4	88083	2	S/P	SCREW, Truss Hd. - (10-24 X 2.188")
D	A04707A	1	/P	AIR FILTER KIT Include Items D-9
5	98760	1	/P	FILTER-Air
6	98769	1	/P	BUTTON-Switch
7	95020A	1	/P	SPRING-Compression
8	82513	1	/P	SCREW-Thread Form (6-19 x 1/2")
9	A07238	1	/P	LEAD-Electrical
10	81208	2	/P	NUT-Hex (10-24)



Item No.	Torque Specs		Required Loctite
	In/Lbs	Nm	
2	5-25	0.6-2.8	
7	15-25	1.7-2.8	
9	5-25	0.6-2.8	
12	30-40	3.4-4.5	

TrimLite String Trimmer UT-20706
Shaft - Spool & String - Grass Deflector

Page 10 of 10

Ref #	Part Number	Qty	S/P/F	Description
1	UP03010A	1	/P	HANDLE ASSY.-Front Include Items 1-3
2	93992	1	/P	NUT-Wing, Washer Faced (1/4-20)
3	80295	1	/P	SCREW-Cap Hex Hd.
4	UP04555A	1	/P	DRIVESHAFT HOUSING ASSY. Include Items 4-7
5	PS01502	1	S/P	SHAFT-Flexible
6	07928	1	S/P	CLAMP
7	983823001	1	/P	SCREW-T.F. Hex Hd. (#10-24 X 3/8")
8	UP06710A	1	S/P	DEFLECTOR & BLADE KIT (55 Deg.) Include Items 8-12
9	PA00249	1	/P	FASTENER Parts Kit
10	UP04119	1	/P	BLADE-Cut-Off
11	82531	2	/P	SCREW-Mech. Hex Hd. (10-24 X 7/8")
12	81208	2	/P	NUT-Hex (10-24)
13	UP04408	1	S/P	STRINGHEAD-Complete Include Items 13-17
14	A98231A	1	S/P	HOUSING & EYELET (Dual Line)
15	06713	1	/P	SPRING-Compression
16	PA0387A	1	S	SPOOL & STRING (.080" Line)
17	A98866A	1	S/P	RETAINER-Spool (RH Thread, Black)