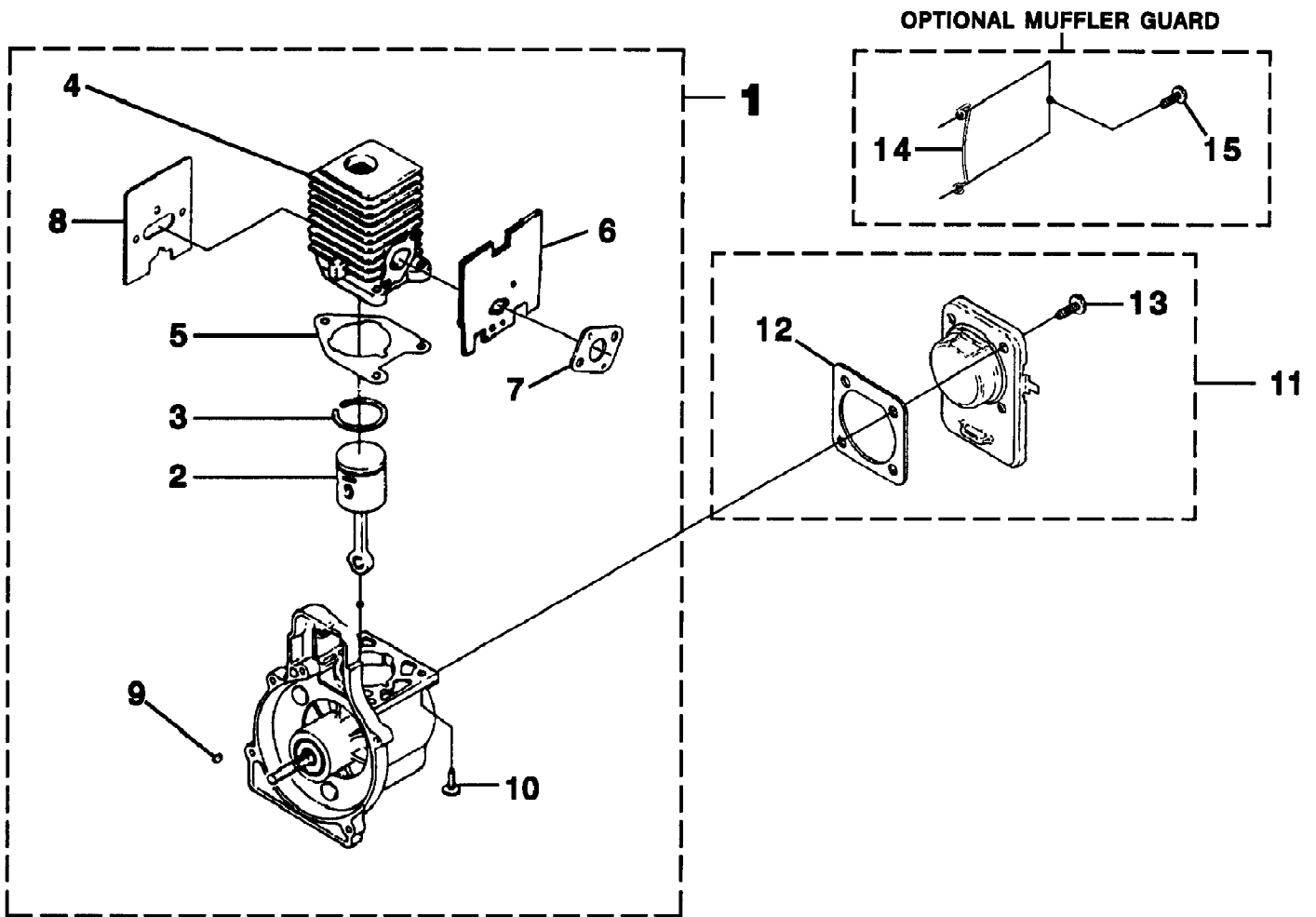


TrimLite String Trimmer UT-20677B
Carburetor - Fuel Tank

Page 2 of 10

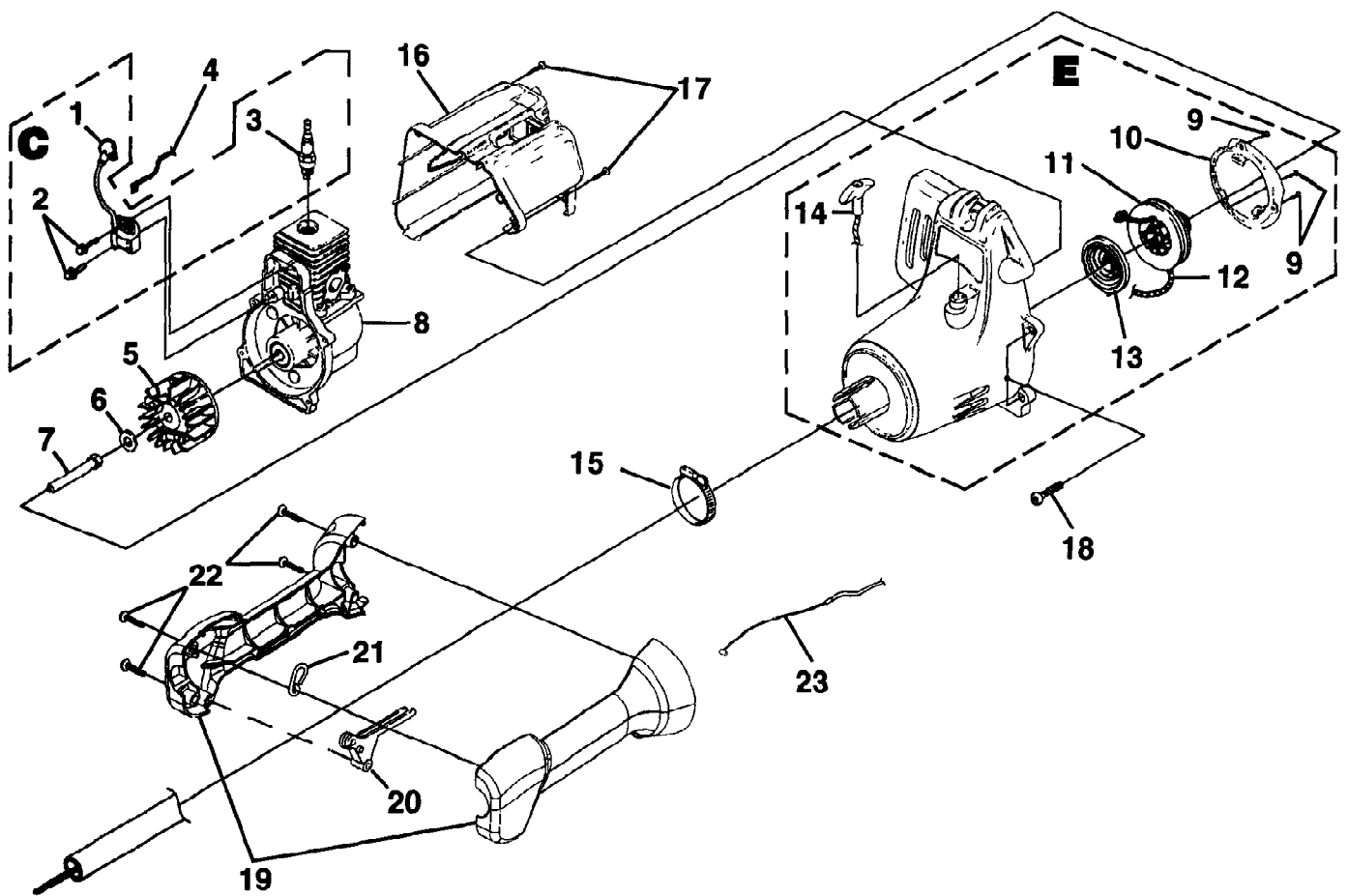
| Ref # | Part Number | Qty | S/P/F | Description |
|-------|-------------|-----|-------|---|
| 1 | 06900A | 1 | /P | GASKET-Heat Dam |
| 2 | 04474 | 2 | /P | SCREW-Machine (10-24 X 2 1/4") |
| 3 | 98768A | 1 | /P | HEAT DAM |
| 4 | 093221 | 2 | S/P | SCREW-Sems (10-24 X 1") Torque Specs 35-45 In/Lbs 4.0-5.1 Nm Red 262 Loctite Required |
| B | UP00608 | 1 | S | CARBURETOR KIT |
| 5 | 98766A | 1 | S/P | GASKET-Carburetor |
| 6 | PS00236 | 1 | S | Lever-Choke (Zama) |
| F | UP00020 | 1 | S | FUEL TANK ASSY. |
| 7 | 49422 | 1 | S | FILTER-Fuel |
| 8 | 0143918 | 1 | /P | TUBING-Rubber |
| 9 | 0143910 | 1 | /P | TUBING-Rubber |
| 10 | 9477213 | 1 | /P | TUBING-Rubber |
| 11 | UP00106 | 1 | /P | FUEL CAP |
| 12 | 98792 | 3 | /P | BUMPER-Rubber |
| 13 | 02067 | 1 | /P | FITTING-Inline |
| 14 | 98268 | 1 | S/P | CLAMP |



TrimLite String Trimmer UT-20677B
Engine Internal

Page 4 of 10

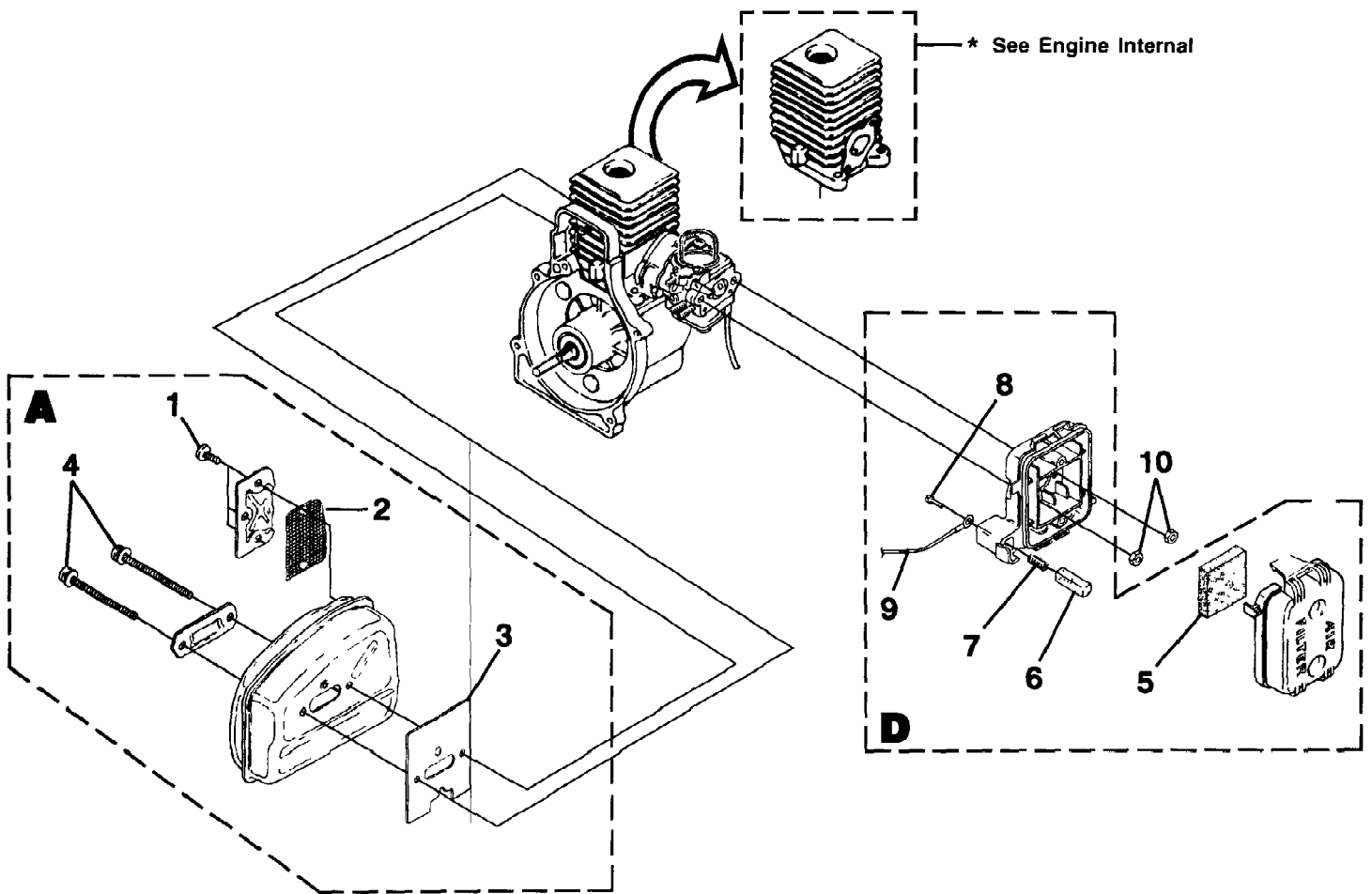
| Ref # | Part Number | Qty | S/P/F | Description |
|-------|-------------|-----|-------|---|
| 1 | UP00743 | 1 | S | SHORT BLOCK |
| 2 | UP00768 | 1 | S/P | PISTON & ROD ASSY. |
| 3 | PS01359 | 1 | S/P | RING-Piston |
| 4 | UP07145 | 1 | S/P | CYLINDER ASSY. |
| 5 | 04388B | 1 | S/P | GASKET-Cylinder |
| 6 | 06900A | 1 | /P | GASKET-Heat Dam |
| 7 | 98766A | 1 | S/P | GASKET-Carburetor |
| 8 | 09343 | 1 | /P | GASKET-Muffler |
| 9 | 69250 | 1 | /P | KEY-Woodruff |
| 10 | 880841 | 3 | S | SCREW-Sems (12-24 X 3/4") Torque Specs 55-65 In/Lbs 6.2-7.3 Nm Red 262 Loctite Required |
| 11 | UP00019 | 1 | S | CRANKCASE COVER ASSEMBLY |
| 12 | 08661 | 1 | /P | GASKET-Crankcase Cover (Also included w/short block) |
| 13 | 880851 | 4 | S | SCREW-Sems (10-24 X 1/2") Torque Specs 35-45 In/Lbs 4.0-5.1 Nm Red 262 Loctite Required |
| 14 | UP00027 | 3 | S | MUFFLER GUARD |
| 15 | 82541 | 2 | /P | SCREW-Thread Forming (10-14 X 1/2") Torque Specs 5-20 In/Lbs 6-2.3 Nm |



TrimLite String Trimmer UT-20677B
Ignition - Rotor - Starter

Page 6 of 10

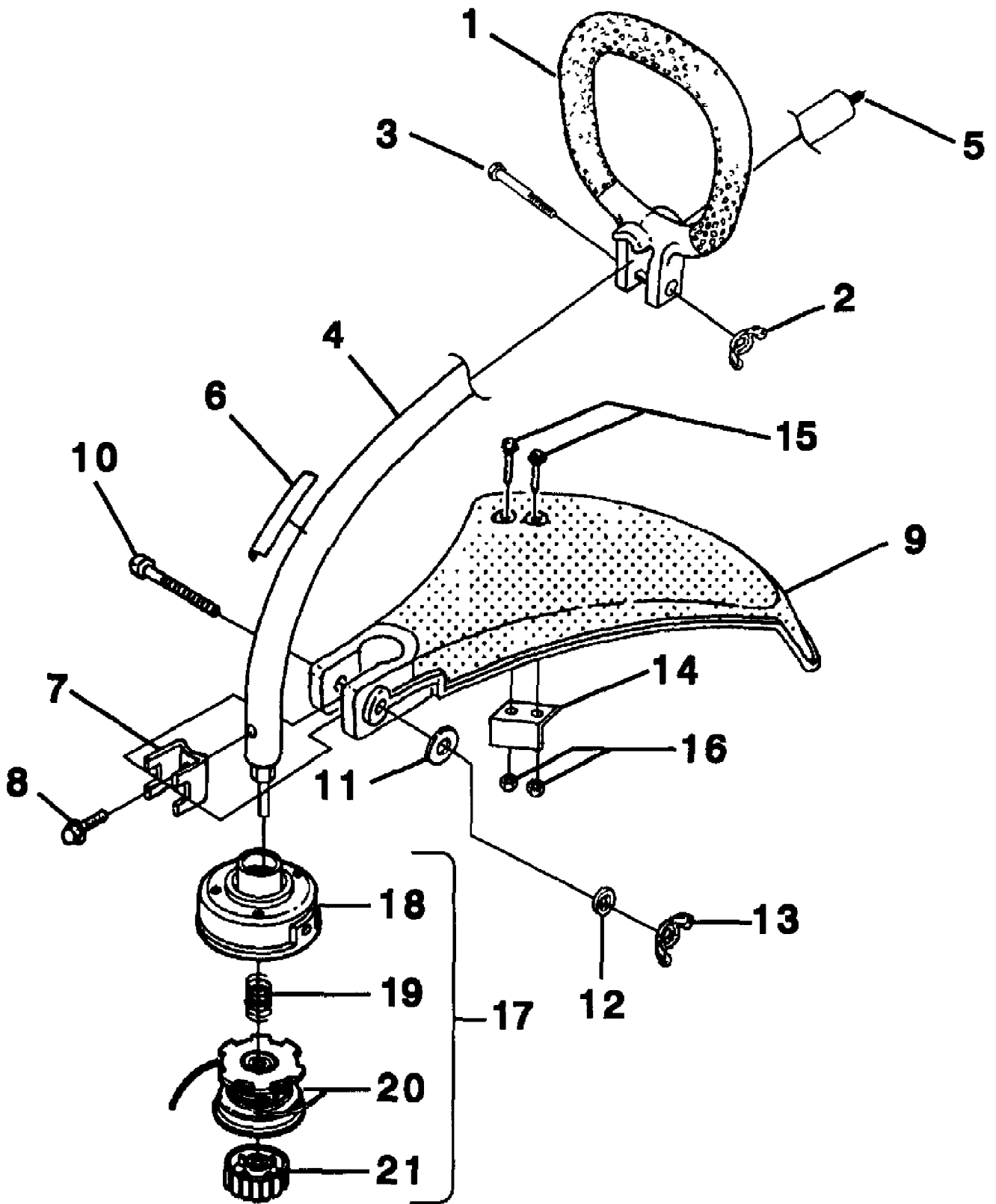
| Ref # | Part Number | Qty | S/P/F | Description |
|-------|-------------|-----|-------|---|
| C | A04446 | 1 | S | IGNITION KIT |
| 1 | A33055 | 1 | /P | TERMINAL & COVER |
| 2 | 82540 | 2 | /P | SCREW-Taptite (8-32 X 1") Torque Specs 30-40 In/Lbs, 3.4-4.5 Nm; Blue 2422 Loctite Required |
| 3 | UP00160 | 1 | S | SPARK PLUG Torque Specs 120-180 In/Lbs, 13.6-20.3 Nm |
| 4 | A07238 | 1 | /P | LEAD-Electrical |
| 5 | A04158S | 1 | S | ROTOR KIT |
| 6 | 95479A | 1 | /P | WASHER-Flat |
| 7 | 98795A | 1 | /P | CONNECTOR-Drive (.250) Torque Specs 100-150 In/Lbs, 11.3-16.9 Nm |
| 8 | UP00743 | 1 | S | SHORT BLOCK (See Engine Internal) |
| E | UP03092 | 1 | S/P | COMPLETE STARTER ASSEMBLY |
| 9 | 82546 | 3 | S/P | SCREW-Taptite (8-16 X 1/2") Torque Specs 10-20 In/Lbs, 1.1-2.3 Nm |
| 10 | UP03013 | 1 | S | BAFFLE-Air |
| 11 | 98770A | 1 | /P | PULLEY-Starter |
| 12 | 9789902 | 1 | S/P | ROPE-Starter (42") |
| 13 | A98773A | 1 | S/P | SPRING & CONTAINER |
| 14 | PS00179 | 1 | /P | GRIP-Starter |
| 15 | UP03111 | 1 | S | CLAMP Torque Specs 40-50 In/Lbs, 4.5-5.6 Nm |
| 16 | UP00023 | 1 | S | HOUSING-Rear Kit |
| 17 | 82537 | 2 | /P | SCREW-Taptite (10-14 X 7/8") Torque Specs 30-50 In/Lbs, 3.4-5.6 Nm |
| 18 | 82538 | 4 | /P | SCREW-Taptite (10-24 X 3/4") Torque Specs 30-40 In/Lbs, 3.4-4.5 Nm |
| 19 | UP03091 | 1 | S/P | CONTROL HANDLE ASSY. |
| 20 | 088331 | 1 | /P | TRIGGER-Throttle |
| 21 | 07516 | 1 | /P | HOOK-Harness |
| 22 | 82537 | 4 | /P | SCREW-Taptite (10-14 X 7/8") Torque Specs 30-50 In/Lbs, 3.4-5.6 Nm |
| 23 | 088302 | 1 | | 02 CABLE-Throttle |



TrimLite String Trimmer UT-20677B
Muffler - Air Cleaner

Page 8 of 10

| Ref # | Part Number | Qty | S/P/F | Description |
|-------|-------------|-----|-------|---|
| A | A07142A | 1 | S | MUFFLER ASSY. Torque Specs 25-35 In/Lbs 2.8-4.0 Nm |
| 1 | 82600 | 3 | /P | SCREW, Taptite - (8-32 X 3/8") |
| 2 | 06502 | 1 | /P | SCREEN-Spark |
| 3 | 09343 | 1 | /P | GASKET-Muffler |
| 4 | 88083 | 2 | S/P | SCREW, Truss Hd. - (10-24 X 2.188) Torque Specs 50-60 In/Lbs 5.6-6.8 Nm |
| D | A04707A | 1 | /P | AIR FILTER KIT |
| 5 | D98760B | 1 | S | FILTER-Air |
| 6 | 98769 | 1 | /P | BUTTON-Switch |
| 7 | 95020A | 1 | /P | SPRING-Compression |
| 8 | 82513 | 1 | /P | SCREW-Thread Form (6-19 x 1/2") Torque Specs 5-10 In/Lbs .6-1.1 Nm |
| 9 | A07238 | 1 | /P | LEAD-Electrical |
| 10 | 81208 | 2 | /P | NUT-Hex (10-24) Torque Specs 30-40 In/Lbs 3.4-4.5 Nm |



TrimLite String Trimmer UT-20677B
Shaft - Spool & String - Grass Deflector

Page 10 of 10

| Ref # | Part Number | Qty | S/P/F | Description |
|-------|-------------|-----|-------|---|
| 1 | UP03010 | 1 | S | HANDLE ASSY.-Front |
| 2 | 93992 | 1 | /P | NUT-Wing, Washer Faced (1/4-20) Torque Specs 5-25 In/Lbs .6-2.8 Nm |
| 3 | 80295 | 1 | /P | SCREW-Cap Hex Hd. |
| 4 | UP00710 | 1 | S/P | DRIVESHAFT HOUSING ASSY. |
| 5 | UP03031 | 1 | S | SHAFT-Flexible |
| 6 | PS00038 | 1 | S | DECAL-Warning |
| 7 | 07928 | 1 | S/P | CLAMP |
| 8 | 88077 | 1 | S | SCREW-Sems Hex Hd. (#10-24 X 3/8") Torque Specs 15-25 In/Lbs 1.7-2.8 Nm |
| 9 | A04705 | 1 | S | DEFLECTOR & BLADE KIT (55 Deg.) |
| 10 | 80295 | 1 | /P | SCREW-Cap Hex Hd. (10-24 X 2") |
| 11 | 84006 | 1 | /P | WASHER-Flat (1/4") |
| 12 | 83009 | 1 | /P | WASHER-Lock (1/4") |
| 13 | 93992 | 1 | /P | NUT-Wing, Washer Faced (1/4-20) Torque Specs 5-25 In/Lbs .6-2.8 Nm |
| 14 | A03832 | 1 | S | BLADE-Cut-Off |
| 15 | 82531 | 2 | /P | SCREW-Mech. Hex Hd. (10-24 X 7/8") |
| 16 | 81208 | 2 | /P | NUT-Hex (10-24) Torque Specs 30-40 In/Lbs 3.4-4.5 Nm |
| 17 | DA03001A | 1 | S/P | STRINGHEAD-Complete |
| 18 | A98231A | 1 | S/P | HOUSING & EYELET (Dual Line) |
| 19 | 06713 | 1 | /P | SPRING-Compression |
| 20 | UP00145 | 1 | S/P | SPOOL & STRING (.080" Line) |
| 21 | DA98866A | 1 | S | RETAINER-Spool (R.H. Thread, Black) |