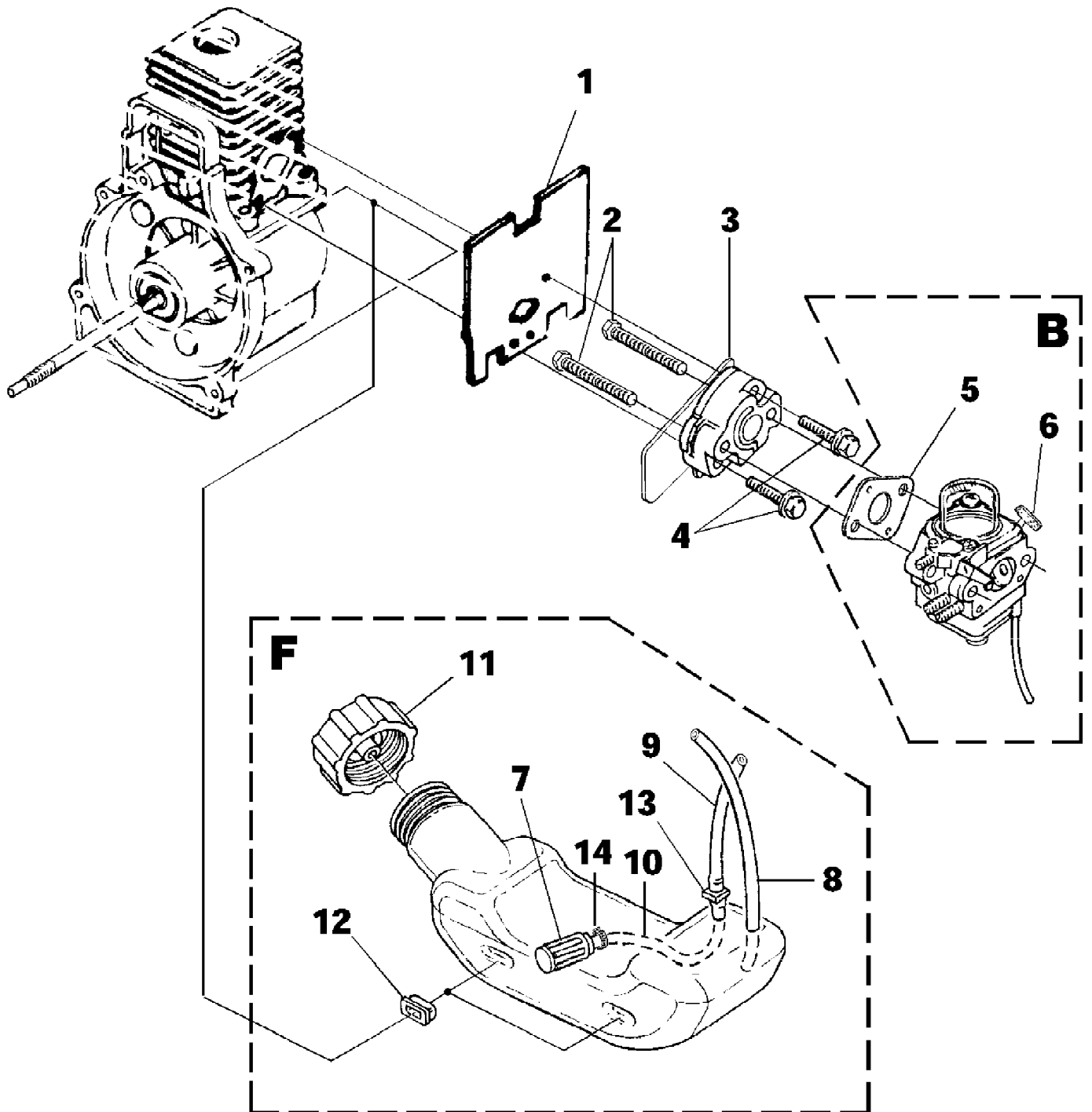


No  
Diagram  
Available  
  
Parts List  
Only

Trim N' Edge String Trimmer UT-20707  
Accessories

Page 2 of 12

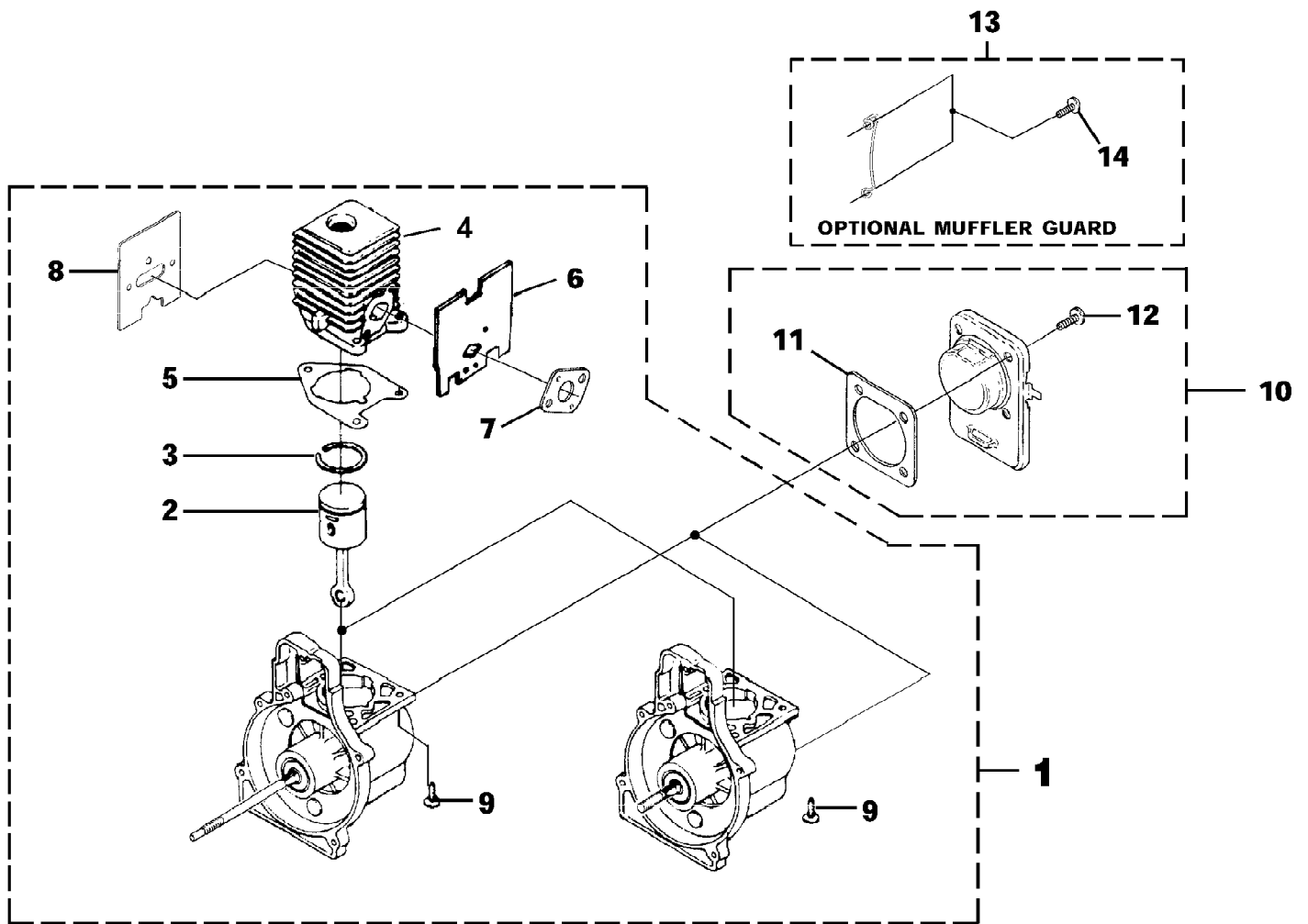
| Ref # | Part Number | Qty | S/P/F | Description  |
|-------|-------------|-----|-------|--|
|       | 18453       | 1   | /P    | GREASE, MULTI-PURPOSE  |
|       | PS24306     | 1   | /P    | MODULE AIR GAP SHIM  |
|       | A04191      | 1   |       | GRASS ANTI-WRAP KIT  |
|       | 98052A      | 1   | /P    | STARTER ROPE (250 Ft. Reel)  |
|       | UP06544     | 1   | /P    | TORX BIT (T25) (For Clutch Drums)  |
|       | UP07160     | 1   | S/P   | TORX BIT (T27)   |
|       | JA313164    | 1   |       | IGNITION TEST SPARK PLUG   |
|       | UP05860     | 1   | S/P   | RUBBER TUBING (10 Ft.)   |
|       | DA03001A    | 1   | S/P   | STRINGHEAD-Complete - E-Z Line(TM)<br>(.080 Line) (Right Hand Thread) (Black Retainer) |
|       | 9801106     | 1   |       | REPLACEMENT STRING - E-Z Line(TM) (3 lb. Box) (.080" Dia.)                             |
|       | DA04591A    | 1   | S/P   | STRINGHEAD-Complete - E-Z Line(TM)<br>(.095 Line) (Right Hand Thread) (Black Retainer) |
|       | 0395904     | 1   |       | REPLACEMENT STRING - E-Z Line(TM) (3 lb. Box) (.095" Dia.)                             |
|       | DA09364     | 1   | S     | STRINGHEAD-Complete-Pro-Cut(TM) Fixed Line Head (.105" Dia.)                           |
|       | D09365      | 1   | S     | REPLACEMENT Dura Line(TM) (.105" Dia.)<br>(Cartridges for Pro-Cut(TM) Fixed Line Head) |
|       | A06933      | 1   |       | SAFETY GOGGLES   |
|       | UP03036     | 1   | /P    | DUST MASK  |
|       | UP00108     | 1   | S     | COMFORT STRAP  |
|       | D98717C     | 1   | S/P   | TRI-ARC(TM) BLADE FOR USE ON BRUSHCUTTER UNITS ONLY                                    |



Trim N' Edge String Trimmer UT-20707  
Carburetor - Fuel Tank

Page 4 of 12

| Ref # | Part Number | Qty | S/P/F | Description   |
|-------|-------------|-----|-------|---|
| 1     | UP04308     | 1   | S/P   | GASKET-Heat Dam   |
| 2     | UP04131     | 2   |       | SCREW-Machine (10-24 X 2 1/4")  |
| 3     | UP04348     | 1   | S     | HEAT DAM  |
| 4     | UP04140     | 2   | S     | SCREW-Sems (10-24 X 1") Torque Specs<br>35-45 In/Lbs, 4.0-5.1 Nm. Required Loctite<br>Red 262 |
| B     | UP00608     | 1   | S     | CARBURETOR KIT (Non-Clutch) Includes<br>items 5-6   |
|       | UP00654     | 1   | /P    | CARBURETOR KIT (Clutch) Includes items<br>5-6   |
| 5     | UP03916     | 1   | S     | GASKET-Carburetor   |
| 6     | UP04278     | 1   | /P    | Lever-Choke (Zama)  |
| F     | UP00020     | 1   | S     | FUEL TANK ASSY. Includes items 7-14   |
| 7     | UP03871     | 1   | S/P   | FILTER-Fuel   |
| 8     | UP04293     | 1   | S     | TUBING-Rubber   |
| 9     | UP04292     | 1   | S     | TUBING-Rubber   |
| 10    | UP04715     | 1   | S     | TUBING-Rubber   |
| 11    | UP00106     | 1   | /P    | FUEL CAP  |
| 12    | UP03501     | 3   | S     | BUMPER-Rubber   |
| 13    | UP03831     | 1   | S     | FITTING-Inline  |
| 14    | UP03913     | 1   | S     | CLAMP   |

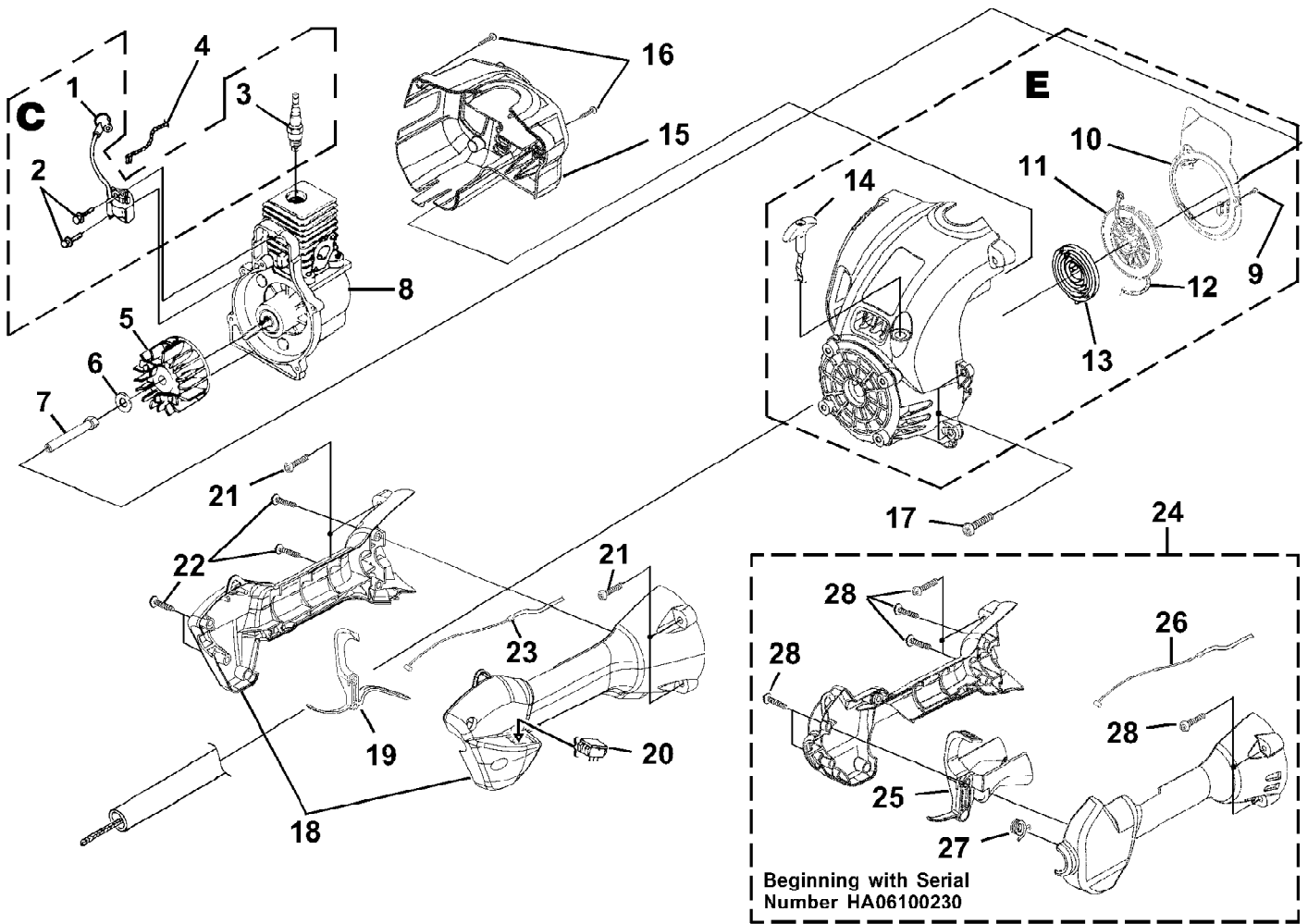


Trim N' Edge String Trimmer UT-20707  
Engine Internal

Page 6 of 12

| Ref # | Part Number | Qty | S/P/F | Description   |
|-------|-------------|-----|-------|---|
| 1     | UP02994     | 1   | S     | SHORT BLOCK (Non-Clutch) Includes items 2-9   |
|       | UP02995     | 1   | S     | SHORT BLOCK (Clutch) Includes items 2-9   |
| 2     | UP00768     | 1   | S/P   | PISTON & ROD ASSY. Includes item 3  |
| 3     | PS01359     | 1   | S/P   | RING-Piston   |
| 4     | UP04136     | 1   | S     | CYLINDER ASSY. Includes items 5-8   |
| 5     | UP03857     | 1   | S/P   | GASKET-Cylinder   |
| 6     | UP04308     | 1   | S/P   | GASKET-Heat Dam   |
| 7     | UP03916     | 1   | S     | GASKET-Carburetor   |
| 8     | UP04710     | 1   | S     | GASKET-Muffler  |
| 9     | UP04345     | 3   | S/P   | SCREW-Sems (12-24 X 3/4") Torque Specs 55-65 In/Lbs, 6.2-7.3 Nm. Required Loctite Red 262 |
| 10    | UP00019     | 1   | S     | CRANKCASE COVER ASSEMBLY Includes items 11-12   |
| 11    | UP04335     | 1   | S     | GASKET-Crankcase Cover (Also included w/short block)                                      |
| 12    | UP04295     | 4   | S/P   | SCREW-Sems (10-24 X 1/2") Torque Specs 35-45 In/Lbs, 4.0-5.1 Nm. Required Loctite Red 262 |
| 13    | UP00027     | 3   | S     | MUFFLER GUARD Includes item 14  |
| 14    | UP03897     | 2   | S     | SCREW-Plastite (10-14 X 1/2") Torque Specs 5-20 In/Lbs, .6-2.3 Nm.                        |

Trim N' Edge String Trimmer UT-20707  
Ignition - Rotor - Starter

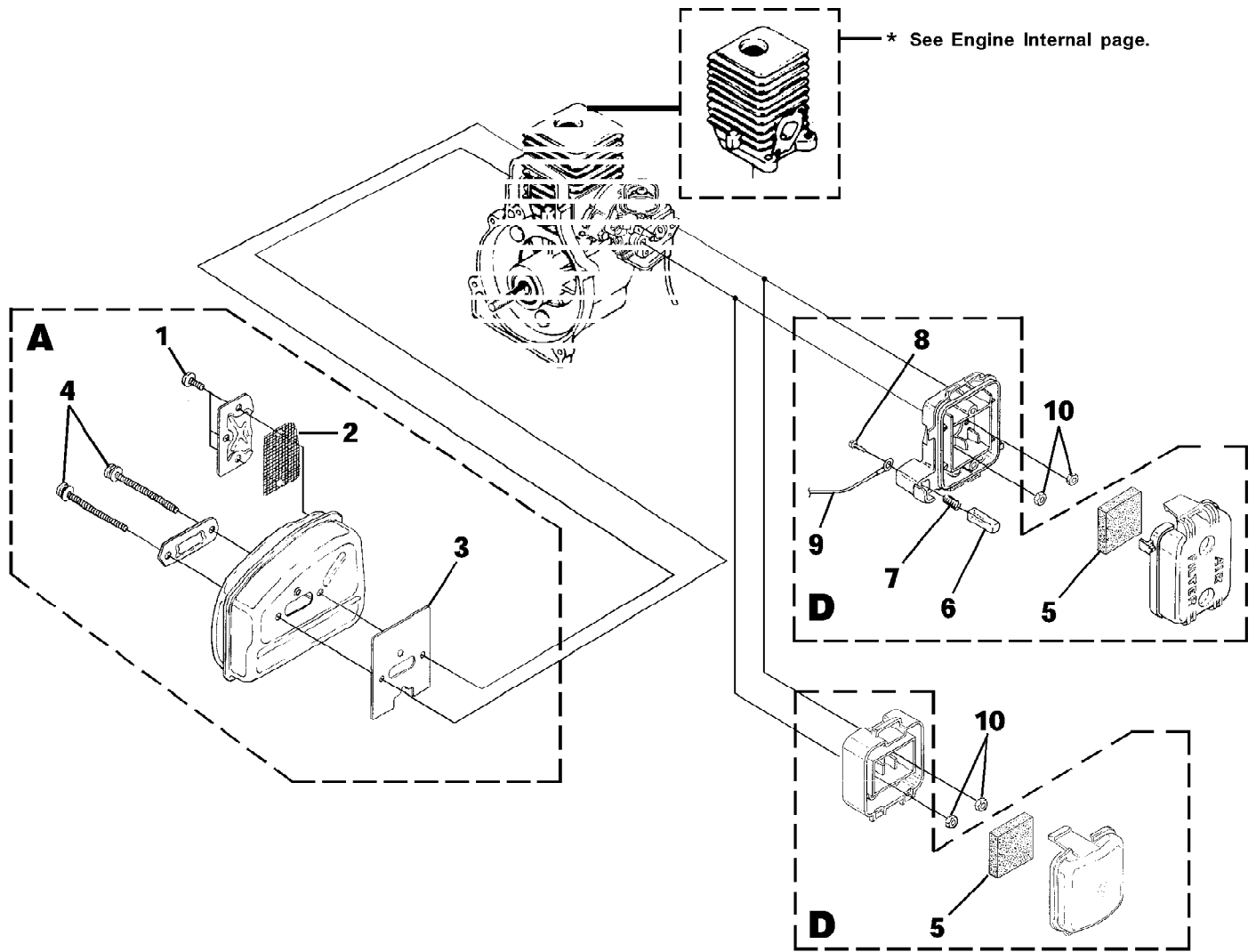


Trim N' Edge String Trimmer UT-20707  
Ignition - Rotor - Starter

Page 8 of 12

| Ref # | Part Number | Qty | S/P/F | Description  |
|-------|-------------|-----|-------|--|
| C     | A07174      | 1   | S     | IGNITION KIT Includes items 1-3  |
| 1     | UP03868     | 1   | S/P   | TERMINAL & COVER   |
| 2     | UP03896     | 2   | S/P   | SCREW-Taptite (8-32 X 1") Torque Specs 30-40 In/Lbs, 3.4-4.5 Nm. Required Loctite Blue 242 |
| 3     | UP03883     | 1   | /P    | SPARK PLUG Torque Specs 120-180 In/Lbs, 13.6-20.3 Nm.                                      |
| 4     | UP04690     | 1   | S     | LEAD-Electrical  |
| 5     | UP03009     | 1   |       | ROTOR KIT Includes item 6  |
| 6     | UP03906     | 1   | S/P   | WASHER-Flat  |
| 7     | UP04271     | 1   | S     | CONNECTOR-Drive (.250) Torque Specs 100-150 In/Lbs, 11.3-16.9 Nm.                          |
| 8     | UP02994     | 1   | S     | SHORT BLOCK (See "Engine Internal" illustration and parts list)                            |
| E     | UP02962     | 1   | S     | COMPLETE STARTER ASSEMBLY Includes items 9-14  |
| 9     | UP04164     | 3   | S     | SCREW-Thread Form (8-16 X 1/2") Torque Specs 10-20 In/Lbs, 1.1-2.3 Nm.                     |
| 10    | UP03013     | 1   | S     | BAFFLE-Air   |
| 11    | UP03012     | 1   | S     | PULLEY-Starter   |
| 12    | UP03912     | 1   | S     | ROPE-Starter (42")   |
| 13    | UP03917     | 1   | S     | SPRING & CONTAINER   |
| 14    | UP03026     | 1   | S     | GRIP-Starter (Yellow)  |
| 15    | UP02965     | 1   |       | HOUSING-Rear Kit Includes item 16  |
| 16    | UP03895     | 2   | S     | SCREW-Taptite (10-14 X 7/8") Torque Specs 30-50 In/Lbs, 3.4-5.6 Nm.                        |
| 17    | UP03406     | 4   | S     | SCREW-Taptite (10-24 X 3/4") Torque Specs 30-40 In/Lbs, 3.4-4.5 Nm.                        |
| 18    | UP03113     | 1   | /P    | CONTROL HANDLE ASSY. Includes items 19-22  |
| 19    | UP03015     | 1   | S/P   | TRIGGER-Throttle   |
| 20    | UP03027     | 1   | S     | PLUG-Switch  |
| 21    | UP03895     | 4   | S     | SCREW-Taptite (10-14 X 7/8") Torque Specs 30-50 In/Lbs, 3.4-5.6 Nm.                        |
| 22    | UP04247     | 4   | S     | SCREW-Truss Hd. (10-14 x 1") Torque Specs 30-50 In/Lbs, 3.4-5.6 Nm.                        |
| 23    | UP03020     | 1   | S     | CABLE-Throttle Includes item 28  |
| 28    | UP04247     | 9   | S     | SCREW-Truss Hd. (10-14 x 1")   |
| 24    | UP03113     | 1   | /P    | CONTROL HANDLE ASSY. Includes items 25-28  |
| 25    | UP03207     | 1   | S/P   | TRIGGER  |
| 26    | UP03172     | 1   | S     | CABLE-Throttle   |
| 27    | UP03210     | 1   | S     | SPRING   |
| 28    | UP04247     | 9   | S     | SCREW-Truss Hd. (10-14 x 1") Torque Specs 30-50 In/Lbs, 3.4-5.6 Nm.                        |

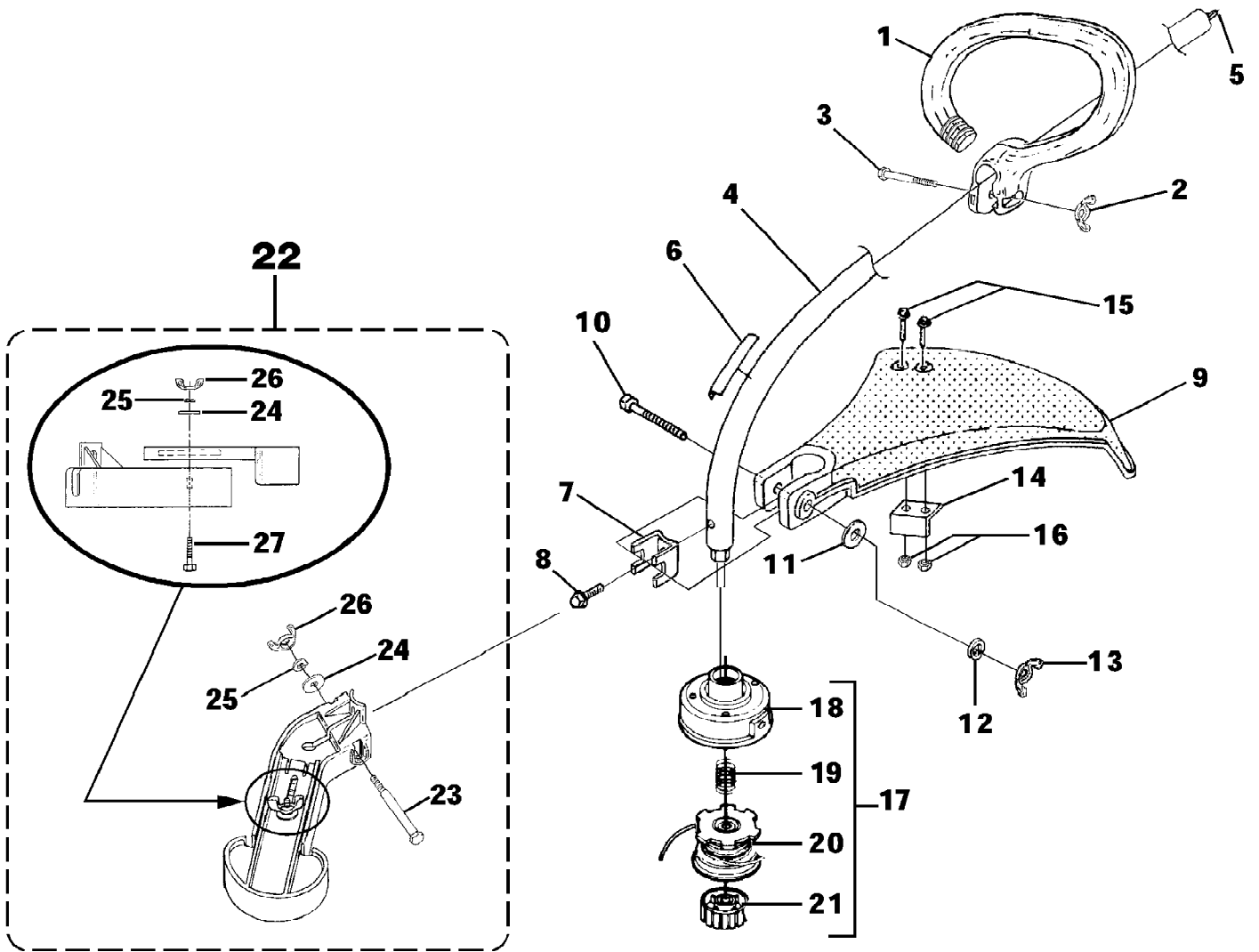




Trim N' Edge String Trimmer UT-20707  
Muffler - Air Cleaner

Page 10 of 12

| Ref # | Part Number | Qty | S/P/F | Description   |
|-------|-------------|-----|-------|---|
| A     | UP04634     | 1   | S/P   | MUFFLER ASSY. Includes items 1-4  |
| 1     | UP04248     | 3   | S     | SCREW, Taptite- (8-32 X 3/8") Torque Specs 25-35 In/Lbs, 2.8-4.0 Nm.      |
| 2     | UP04629     | 1   | S     | SCREEN-Spark  |
| 3     | UP04710     | 1   | S     | GASKET-Muffler  |
| 4     | UP04258     | 2   | S     | SCREW, Truss Hd. - (10-24 X 2.188) Torque Specs 50-60 In/Lbs, 5.6-6.8 Nm. |
| D     | A04707A     | 1   | /P    | AIR FILTER KIT (Non-Clutch) Includes items 5-10                           |
| 5     | D98760B     | 1   | S     | FILTER-Air  |
| 6     | UP06341     | 1   | S     | BUTTON-Switch   |
| 7     | UP04716     | 1   | S/P   | SPRING-Compression  |
| 8     | UP04082     | 1   | S     | SCREW-Thread Form (6-19 x 1/2") Torque Specs 5-10 In/Lbs, .6-1.1 Nm.      |
| 9     | UP04690     | 1   | S     | LEAD-Electrical   |
| 10    | UP03885     | 2   | S     | NUT-Hex (10-24) Torque Specs 30-40 In/Lbs, 3.4-4.5 Nm.                    |
| D     | UP00022     | 1   | S     | AIR FILTER KIT (Clutch) Includes items 5 & 10                             |
| 5     | D98760B     | 1   | S     | FILTER-AIR  |
| 10    | UP03885     | 2   | S     | NUT-Hex (10-24) Torque Specs 30-40 In/Lbs, 3.4-4.5 Nm.                    |



Trim N' Edge String Trimmer UT-20707  
Shaft - Spool & String - Grass Deflector

Page 12 of 12

| Ref # | Part Number | Qty | S/P/F | Description   |
|-------|-------------|-----|-------|---|
| 1     | UP06959     | 1   | S/P   | HANDLE-Anti-Vibe Includes items 2-3   |
| 2     | UP04262     | 1   | S/P   | NUT-Wing, Washer Faced (1/4-20) Torque Specs 5-25 In/Lbs, .6-2.8 Nm.                  |
| 3     | UP06523     | 1   | S/P   | SCREW-Cap Hex Hd.   |
| 4     | UP00710     | 1   | S/P   | DRIVESHAFT HOUSING ASSY. Includes items 5-8   |
| 5     | UP03031     | 1   | S     | SHAFT-Flexible  |
| 6     | UP04352     | 1   | S/P   | DECAL-Warning   |
| 7     | UP04137     | 1   | /P    | CLAMP   |
| 8     | UP04256     | 1   | S/P   | SCREW-Sems Hex Hd. (#10-24 X 3/8") Torque Specs 15-25 In/Lbs, 1.7-2.8 Nm.             |
| 9     | UP06710     | 1   | S/P   | DEFLECTOR & BLADE KIT (55 Deg.) Includes items 10-16                                  |
| 10    | UP06523     | 1   | S/P   | SCREW-Cap Hex Hd. (10-24 X 2")  |
| 11    | UP03415     | 1   | S/P   | WASHER-Flat (1/4")  |
| 12    | UP03409     | 1   | S/P   | WASHER-Lock (1/4")  |
| 13    | UP04262     | 1   | S/P   | NUT-Wing, Washer Faced (1/4-20) Torque Specs 5-25 In/Lbs, .6-2.8 Nm.                  |
| 14    | UP04119     | 1   | /P    | BLADE-Cut-Off Includes items 15-16  |
| 15    | UP04159     | 2   | S     | SCREW-Mech. Hex Hd. (10-24 X 7/8")  |
| 16    | UP03885     | 2   | S     | NUT-Hex (10-24) Torque Specs 30-40 In/Lbs, 3.4-4.5 Nm.                                |
| 17    | DA03001A    | 1   | S/P   | STRINGHEAD-Complete (.080") (UT20694, UT20697, UT20702, UT20728) Includes items 18-21 |
|       | DA04591A    | 1   | S/P   | STRINGHEAD-Complete (.095") (UT20695, UT20698, UT20707, UT20713) Includes items 18-21 |
| 18    | UP06567     | 1   | S     | HOUSING & EYELET (Dual Line)  |
| 19    | UP06526     | 1   | S/P   | SPRING-Compression  |
| 20    | UP00145     | 1   | S/P   | SPOOL & STRING (.080")  |
|       | UP00147     | 1   | S/P   | SPOOL & STRING (.095")  |
| 21    | DA98866A    | 1   | S     | RETAINER-Spool (R.H. Thread, Black)   |
| 22    | UP00008     | 1   |       | EDGER GUIDE KIT Includes items 23-27  |
| 23    | UP04148     | 1   | S     | SCREW-Hex Hd. (1/4-20 X 2 1/2")   |
| 24    | UP03415     | 2   | S/P   | WASHER-Flat (1/4")  |
| 25    | UP03409     | 2   | S/P   | WASHER-Lock (1/4")  |
| 26    | UP04262     | 2   | S/P   | NUT-Wing, Washer Faced (1/4-20) Torque Specs 5-25 In/Lbs, .6-2.8 Nm.                  |
| 27    | UP04158     | 1   | S/P   | SCREW-Hex Hd. (1/4-20 X 1")   |