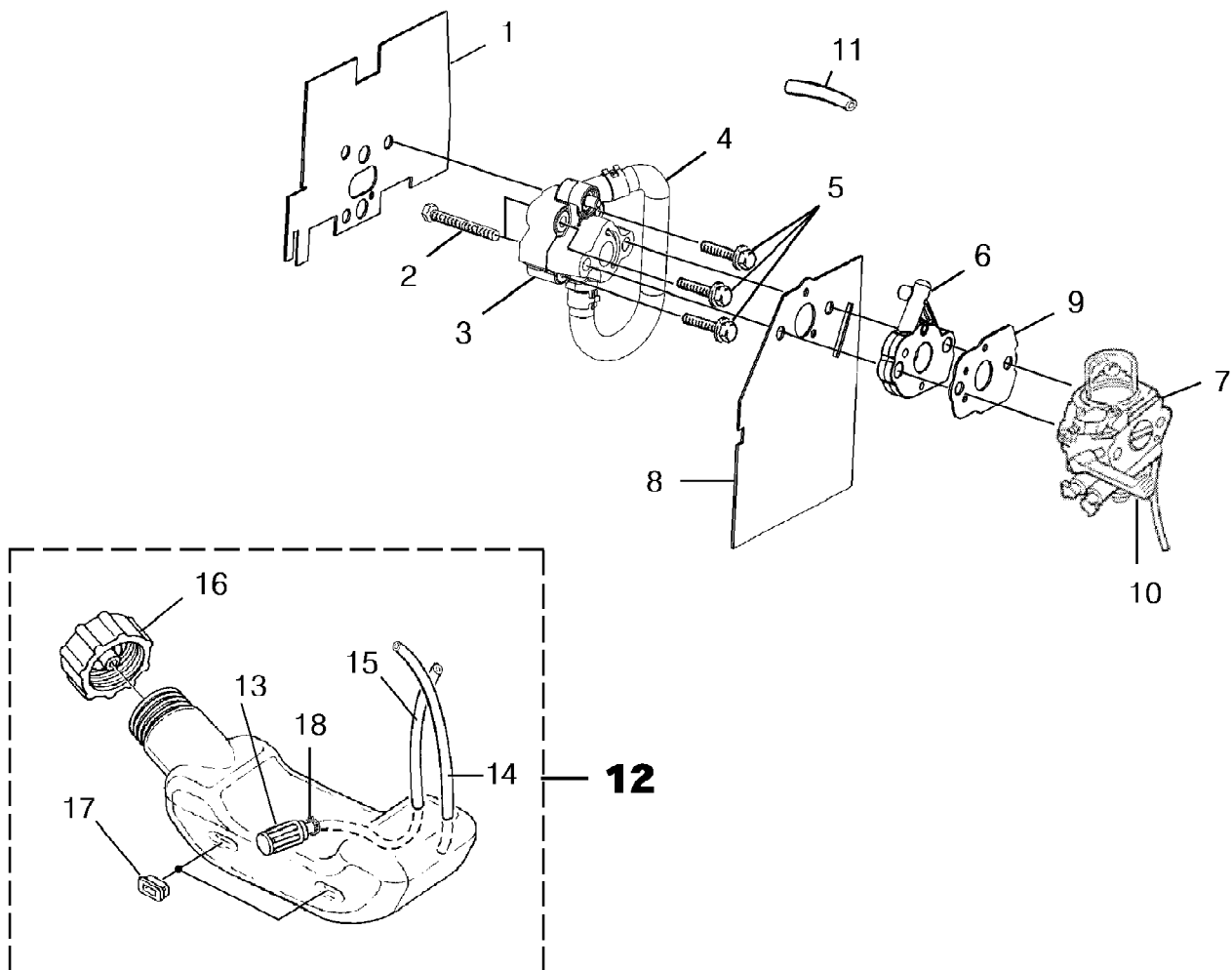


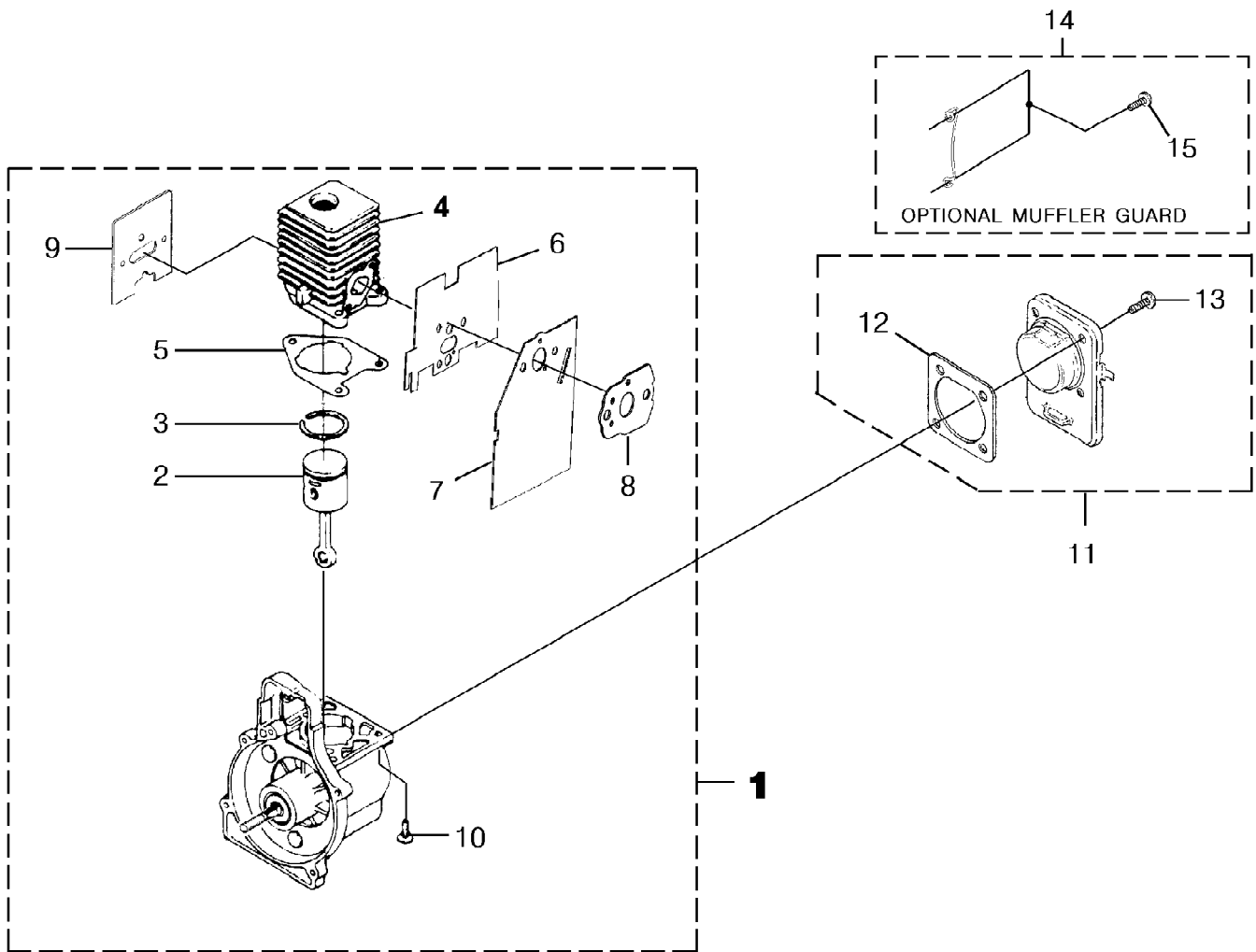
Trim 'n Edge String Trimmer UT-20805
Carburetor - Fuel Tank



Trim 'n Edge String Trimmer UT-20805
Carburetor - Fuel Tank

Page 2 of 10

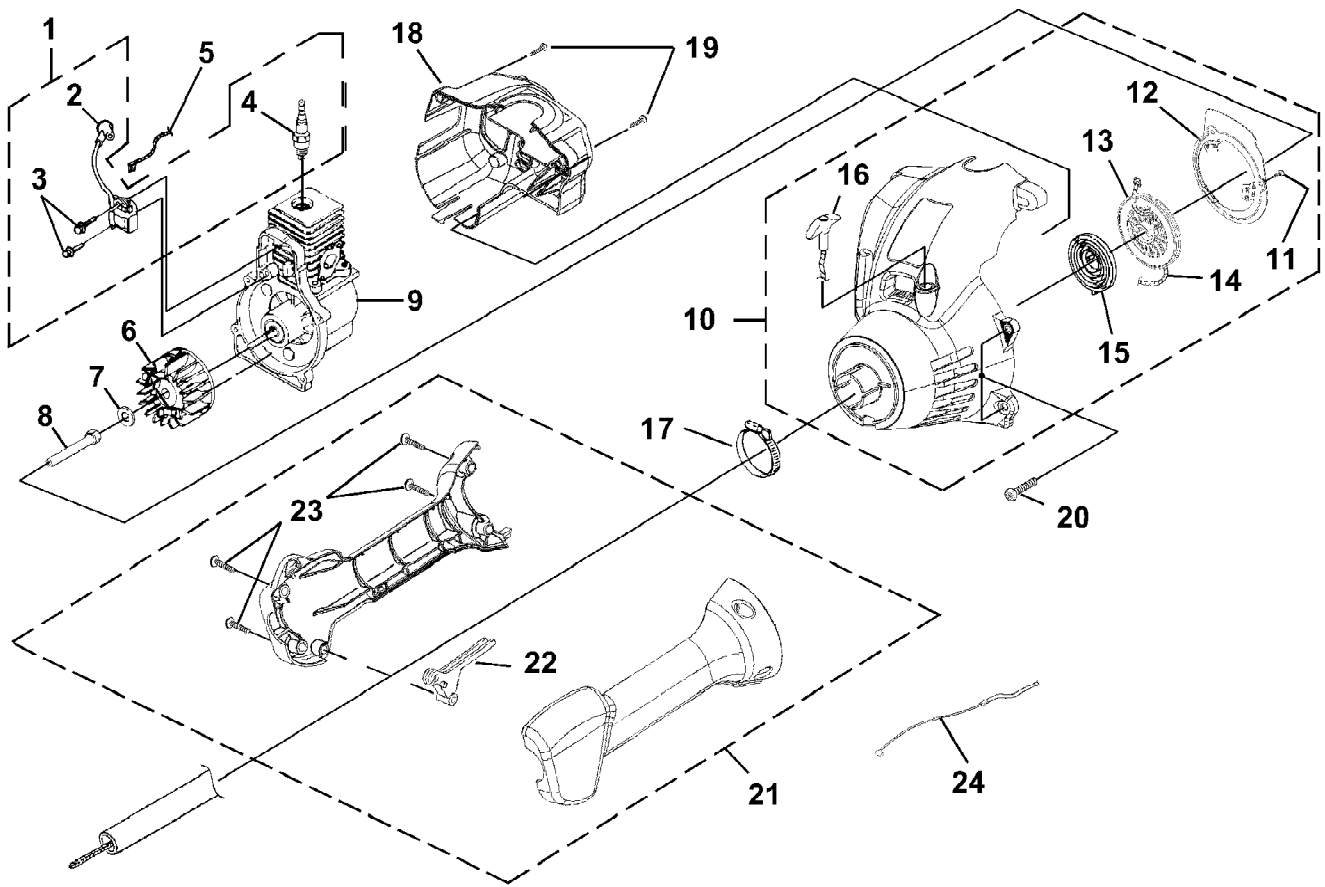
Ref #	Part Number	Qty	S/P/F	Description
1	UP06339	1	S/P	GASKET-Heat Dam to Cylinder
2	UP04307	2	S	SCREW-Shoulder Torque Specs 30-40 In/Lbs; 3.4-4.5 Nm
3	UP06344	1		HEAT DAM Complete Includes item 4
4	UP06337	1		TUBE-Tuned
5	UP04140	3	S	SCREW-Sems (10-24 x 1") Torque Specs 40-50 In/Lbs; 4.5-5.6 Nm; Required Loctite Red 262
6	UP06338	1		ADAPTOR
7	UP06343	1		CARBURETOR KIT (Non Clutch) Includes items 8-10
8	UP06333	1		GASKET-Adaptor to Heat Dam
9	UP06335	1		GASKET-Carburetor to Adaptor
10	UP06342	1		LEVER-Choke
7	UP06825	1	S	CARBURETOR KIT (Clutch) Includes items 8-10
8	UP06333	1		GASKET-Adaptor to Heat Dam
9	UP06335	1		GASKET-Carburetor to Adaptor
10	UP06357	1		LEVER-Choke
11	UP06336	1		TUBE-Rubber
12	UP06692	1		FUEL TANK ASSY. Includes items 13-18
13	UP03871	1	S/P	FILTER-Fuel
14	UP06935	1	S	TUBING-Rubber (5.5")
15	0143929	1		TUBING-Rubber (7.25")
16	UP04708	1	S/P	FUEL CAP
17	UP03501	3	S	BUMPER-Rubber
18	UP03913	1	S	CLAMP



Trim 'n Edge String Trimmer UT-20805
Engine Internal

Page 4 of 10

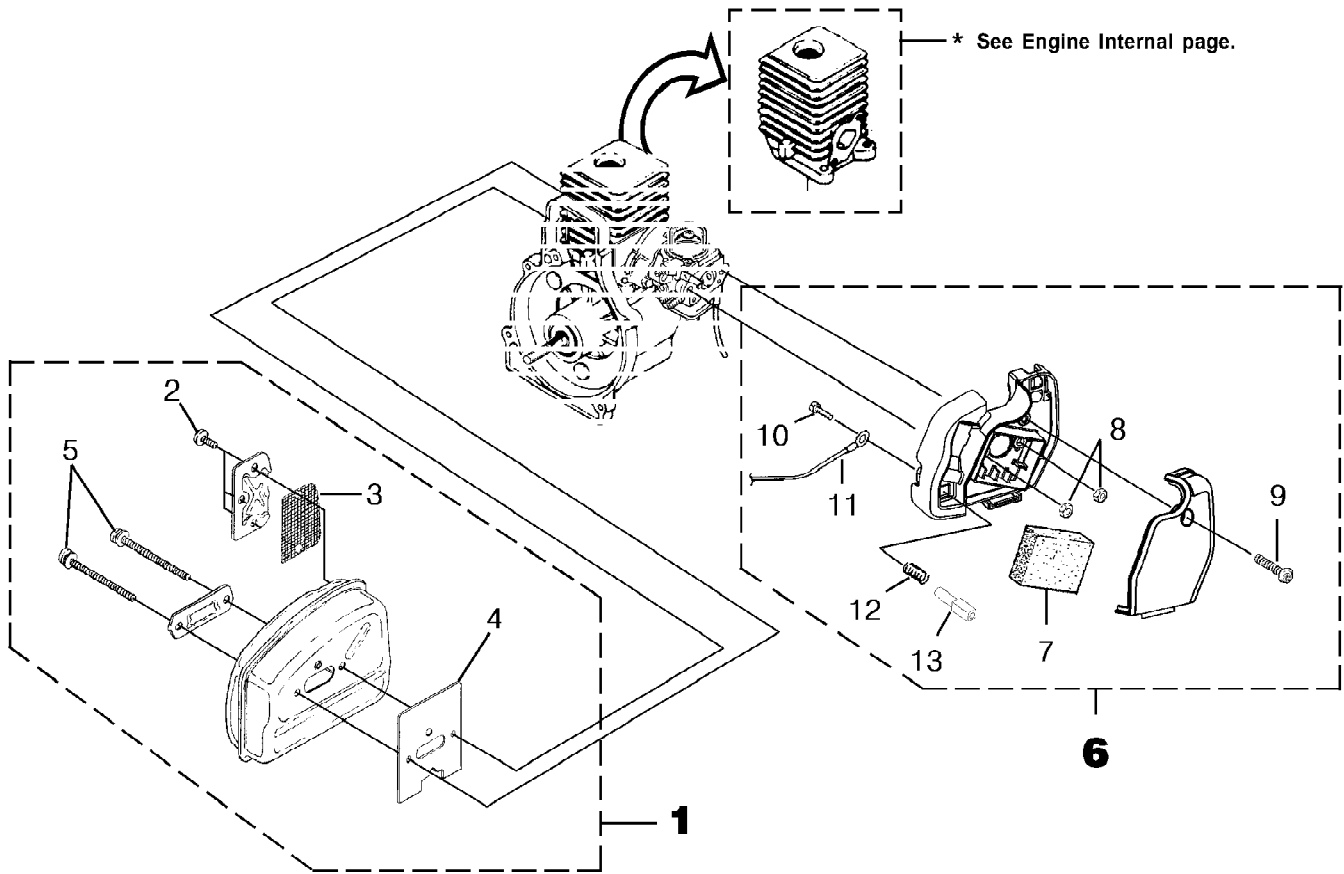
Ref #	Part Number	Qty	S/P/F	Description
1	UP06345	1		SHORT BLOCK (Non-Clutch) Includes items 2-10
	UP07919	1		SHORT BLOCK (Clutch)
2	UP06347	1	S	PISTON & ROD ASSY. Includes item 3
3	UP06346	1	S	RING-Piston
4	UP06348	1		CYLINDER ASSY. Includes items 5-9
5	UP03857	1	S/P	GASKET-Cylinder
6	UP06339	1	S/P	GASKET-Heat Dam to Cylinder
7	UP06333	1		GASKET-Adaptor to Heat Dam
8	UP06335	1		GASKET-Adaptor to Carburetor
9	UP06334	1	S	GASKET-Muffler
10	UP04345	3	S/P	SCREW-Sems (12-24 X 3/4") Torque Specs 55-65 In/Lbs; 6.2-7.3 Nm; Required Loctite Red 262
11	UP00019	1	S	CRANKCASE COVER ASSEMBLY Includes items 12-13
12	UP03862	1	S/P	GASKET-Crankcase Cover (Also included w/short block)
13	UP04295	4	S/P	SCREW-Sems (10-24 X 1/2") Torque Specs 35-45 In/Lbs; 4.0-5.1 Nm; Required Loctite Red 262
14	UP04099	3	/P	MUFFLER GUARD Includes item 15
15	UP03897	2	S	SCREW-Plastite (10-14 X 1/2") Torque Specs 5-20 In/Lbs; .6-2.3 Nm



Trim 'n Edge String Trimmer UT-20805
Ignition - Rotor - Starter

Page 6 of 10

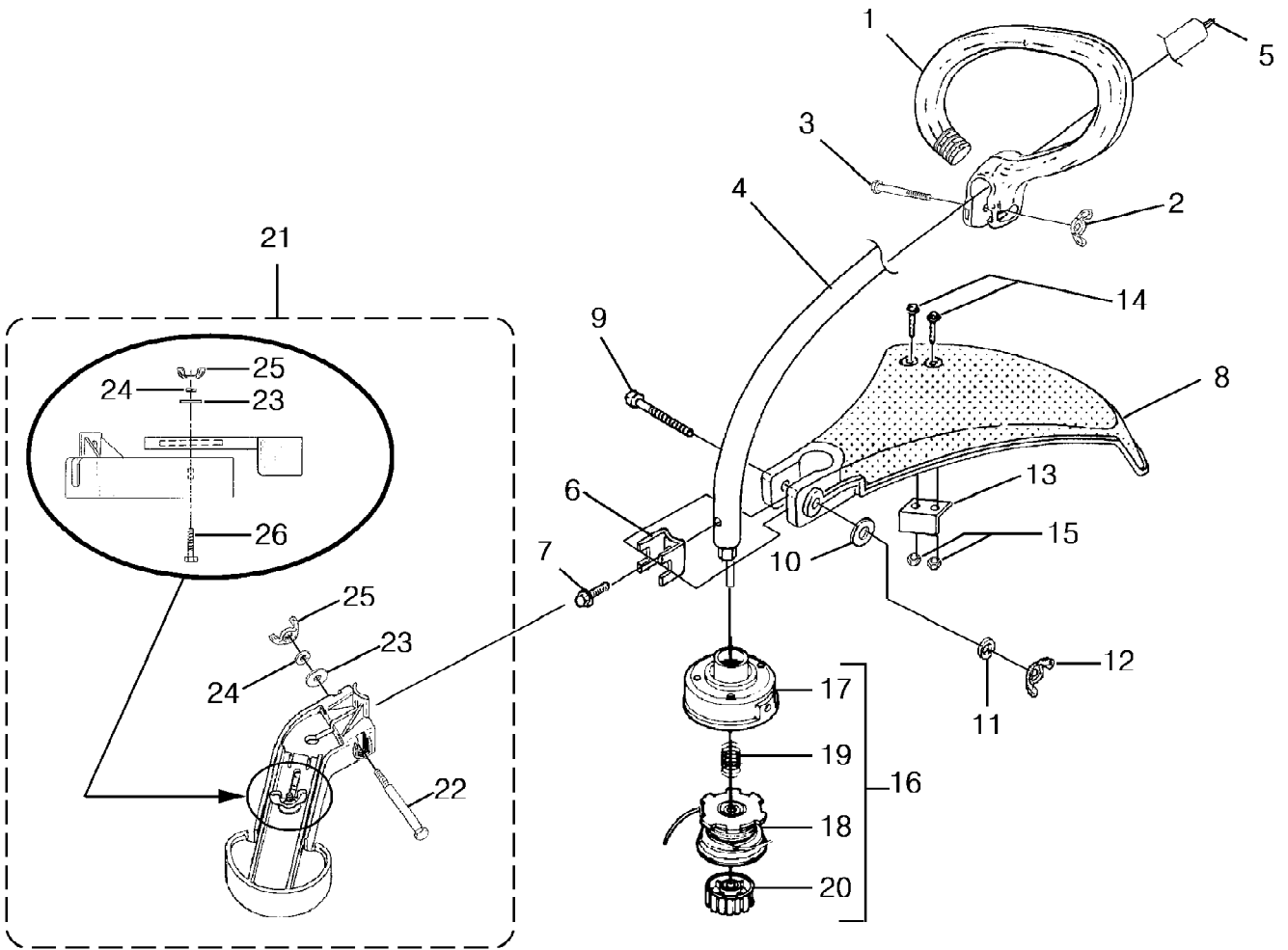
Ref #	Part Number	Qty	S/P/F	Description
1	UP06784	1	/P	IGNITION KIT Includes items 2-4
2	UP03868	1	S/P	TERMINAL & COVER
3	UP03896	2	S/P	SCREW-Taptite (8-32 X 1") Torque Specs 30-40 In/Lbs; 3.4-4.5 Nm; Required Loctite Blue 242
4	UP03883	1	/P	SPARK PLUG Torque Specs 120-180 In/Lbs; 13.6-20.3 Nm
5	UP04690	1	S	LEAD-Electrical
6	UP03009	1		ROTOR KIT
7	UP04241	1	S/P	WASHER-Flat
8	UP04271	1	S	CONNECTOR-Drive (.250) Torque Specs 100-150 In/Lbs; 11.3-16.9 Nm
9	UP06345	1		SHORT BLOCK (See "Engine Internal" illustration & parts list)
10	UP04743	1	S	COMPLETE STARTER ASSEMBLY Includes items 11-16
11	UP06910	3	S	SCREW-Thread Form (8-16 X 1/2") Torque Specs 10-20 In/Lbs; 1.1-2.3 Nm
12	UP04744	1	S	BAFFLE-Air
13	UP03012	1	S	PULLEY-Starter
14	UP03912	1	S	ROPE-Starter (42")
15	UP03917	1	S	SPRING & CONTAINER
16	UP03026	1	S	GRIP-Starter (Yellow)
17	UP03111	1	S	CLAMP
18	UP02965	1		HOUSING-Rear Kit Includes item 19
19	UP03895	2	S	SCREW-Truss (10-14 X 7/8") Torque Specs 30-50 In/Lbs; 3.4-5.6 Nm
20	UP03406	4	S	SCREW-Taptite (10-24 X 3/4") Torque Specs 30-40 In/Lbs; 3.4-4.5 Nm
21	UP03091	1	S/P	CONTROL HANDLE ASSY. Includes items 22-23
22	UP04559	1	S	TRIGGER
23	UP03895	9	S	SCREW-Truss Hd. (10-14 x 7/8") Torque Specs 30-50 In/Lbs; 3.4-5.6 Nm
24	UP04557	1	S	CABLE-Throttle



Trim 'n Edge String Trimmer UT-20805
Muffler - Air Cleaner

Page 8 of 10

Ref #	Part Number	Qty	S/P/F	Description
1	UP06340	1	S	MUFFLER ASSY. Includes items 2-5
2	UP04248	3	S	SCREW, Taptite- (8-32 X 3/8") Torque Specs 25-35 In/Lbs; 2.8-4.0 Nm
3	UP04629	1	S	SCREEN-Spark
4	UP06334	1	S	GASKET-Muffler
5	UP06941	2	S	SCREW, Truss Hd. - (10-24 X 2.188) Torque Specs 50-60 In/Lbs; 5.6-6.8 Nm
6	UP06349	1	S	AIR FILTER KIT Includes items 7-13
7	UP04270	1	S	FILTER-AIR
8	UP03885	2	S	NUT-Hex (10-24) Torque Specs 30-40 In/Lbs; 3.4-4.5 Nm
9	UP04235	1	S	SCREW-Slotted Tr. Hd (8-16 x
10	UP04082	1	S	SCREW-Thread Form (6-19 x 1/2") For Non-Clutch models
11	UP04690	1	S	LEAD-Electrical For Non-Clutch models
12	UP04716	1	S/P	SPRING-Compression For Non-Clutch models
13	UP06341	1	S	BUTTON-Switch For Non-Clutch models



Trim 'n Edge String Trimmer UT-20805
Shaft - Spool & String - Grass Deflector

Page 10 of 10

Ref #	Part Number	Qty	S/P/F	Description
1	UP06959	1	S/P	HANDLE-Anti-Vibe Includes items 2-3
2	UP04262	1	S/P	NUT-Wing, Washer Faced (1/4-20) Torque Specs 5-25 In/Lbs; .6-2.8 Nm
3	UP06523	1	S/P	SCREW-Cap Hex Hd.
4	UP04555	1	S/P	DRIVESHAFT ASSY. Includes items 5-7
	UP07813	1		DRIVESHAFT ASSY. (UT20833)
5	UP03031	1	S	SHAFT-Flexible
6	UP04137	1	/P	CLAMP
7	UP04256	1	S/P	SCREW-Sems Hex Hd. (#10-24 X 3/8") Torque Specs 15-25 In/Lbs; 1.7-2.8 Nm
8	UP06710	1	S/P	DEFLECTOR & BLADE KIT (55 Deg.) Includes items 9-15
9	UP06523	1	S/P	SCREW-Cap Hex Hd. (10-24 X 2")
10	UP03415	1	S/P	WASHER-Flat (1/4")
11	UP03409	1	S/P	WASHER-Lock (1/4")
12	UP04262	1	S/P	NUT-Wing, Washer Faced (1/4-20) Torque Specs 5-25 In/Lbs; .6-2.8 Nm
13	UP04119	1	/P	BLADE-Cut-Off Includes items 14-15
14	UP04159	2	S	SCREW-Mech. Hex Hd. (10-24 X 7/8")
15	UP04150	2	S	NUT-Hex (10-24) Torque Specs 30-40 In/Lbs; 3.4-4.5 Nm
16	DA03001A	1	S/P	STRINGHEAD-Complete (.080") Includes item 17-20
17	UP06567	1	S	HOUSING & EYELET (Dual Line)
18	UP00145	1	S/P	SPOOL & STRING (.080") Includes item 19
19	UP06526	1	S/P	SPRING-Compression
20	UP04273	1	S	RETAINER-Spool (R.H. Thread, Black)
21	UP00008	1		EDGER GUIDE KIT Includes items 22-26
22	UP04148	1	S	SCREW-Hex Hd. (1/4-20 X 2 1/2")
23	UP03415	2	S/P	WASHER-Flat (1/4")
24	UP03409	2	S/P	WASHER-Lock (1/4")
25	UP04262	2	S/P	NUT-Wing, Washer Faced (1/4-20) Torque Specs 5-25 In/Lbs; .6-2.8 Nm
26	UP04158	1	S/P	SCREW-Hex Hd. (1/4-20 X 1")