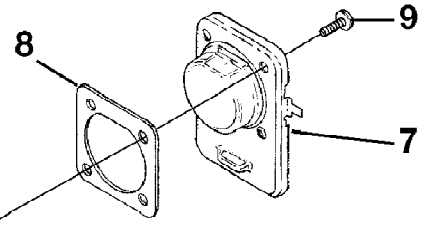
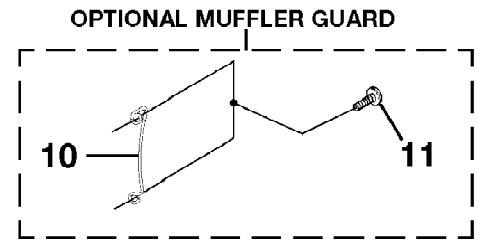
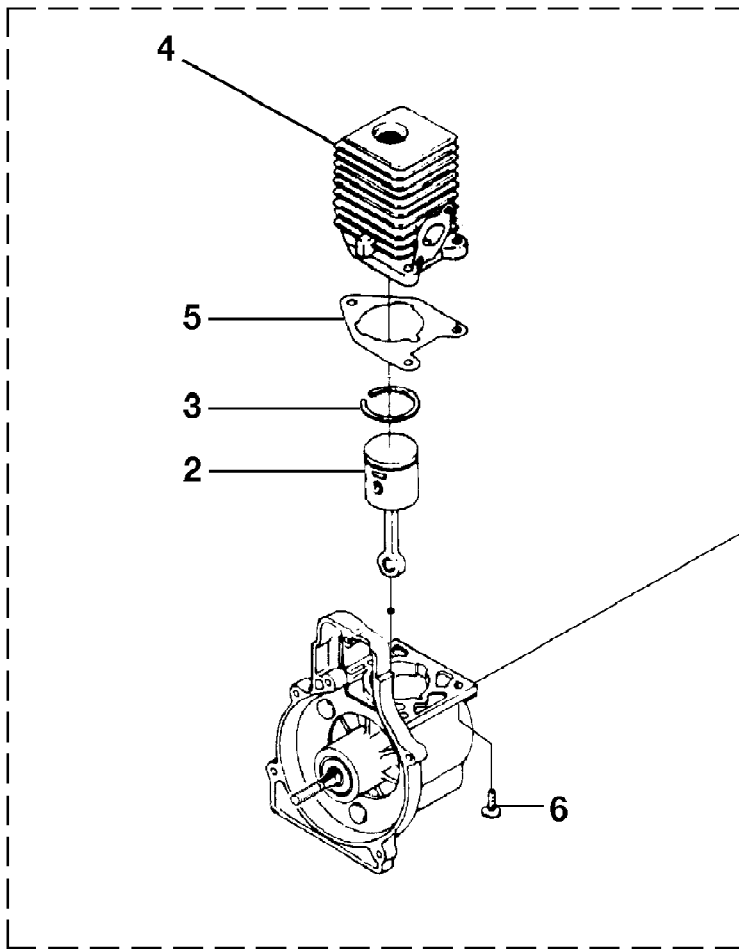


Item No.	Torque Specs		Required Loctite
	In/Lbs	Nm	
4	35-45	4.0-5.1	Red 262

Trim 'n Edge(TM) String Trimmer UT-20933
 Carburetor - Fuel Tank

Page 2 of 10

Ref #	Part Number	Qty	S/P/F	Description
1	06900A	1	/P	GASKET-Heat Dam
2	04474	2	/P	SCREW-Machine (10-24 X 2 1/4")
3	98768A	1	/P	HEAT DAM
4	093221	2	S/P	SCREW-Sems (10-24 X 1")
B	984874001	1		CARBURETOR KIT
5	9074001	1		GASKET-Carburetor
6	0143910	1	/P	TUBING - Rubber
7	07332	1	S/P	FITTINGS - Inline
F	PA01624	1	S	FUEL TANK ASSY.
8	PA00116	1	S	FUEL TANK
9	A09116	1	S/P	FUEL CAP
10	98792	3	/P	BUMPER - Rubber

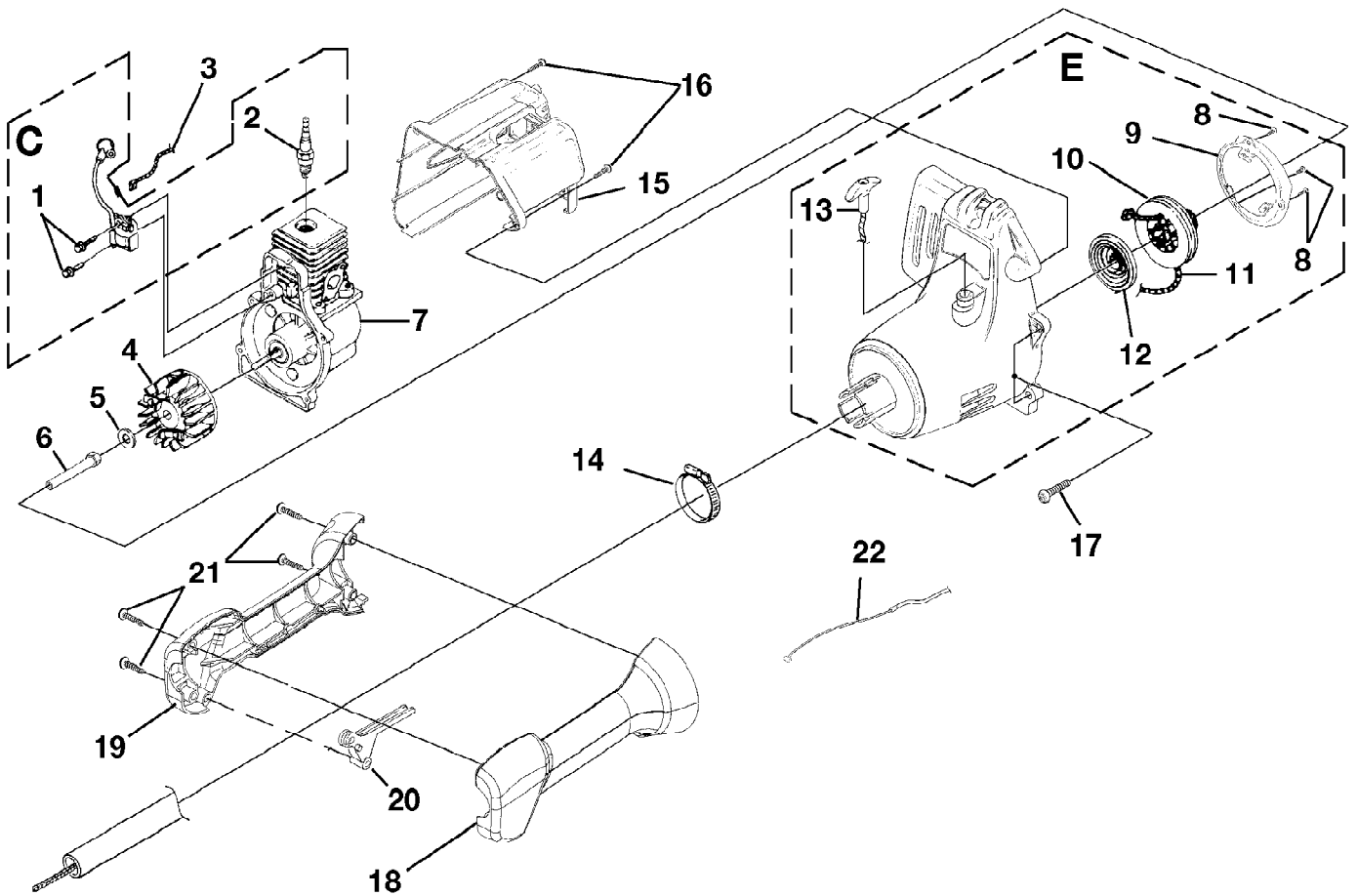


Item No.	Torque Specs		Required Loctite
	In/Lbs	Nm	
9	55-65	6.2-7.3	Red 262
11	35-45	4.0-5.1	Red 262

Trim 'n Edge(TM) String Trimmer UT-20933
Engine Internal

Page 4 of 10

Ref #	Part Number	Qty	S/P/F	Description
1	3074107	1	S	SHORT BLOCK ASSY.
2	3081102	1		PISTON & ROD ASSY.
3	PS04468	1	S/P	RING-Piston
4	6457005	1		CYLINDER
5	985259001	1	S/P	GASKET-Cylinder
6	PS02807	3	/P	SCREW-Sems (12-24 X 3/4")
7	PS02130	1	/P	CRANKCASE COVER
8	06443A	1	S/P	GASKET-Crankcase Cover
9	PS01565	4	/P	SCREW-Sems (10-24 X 1/2")
10	UP04099	3	/P	MUFFLER GUARD
11	UP03897	2	S	SCREW-Thread Forming (10-14 X 1/2")

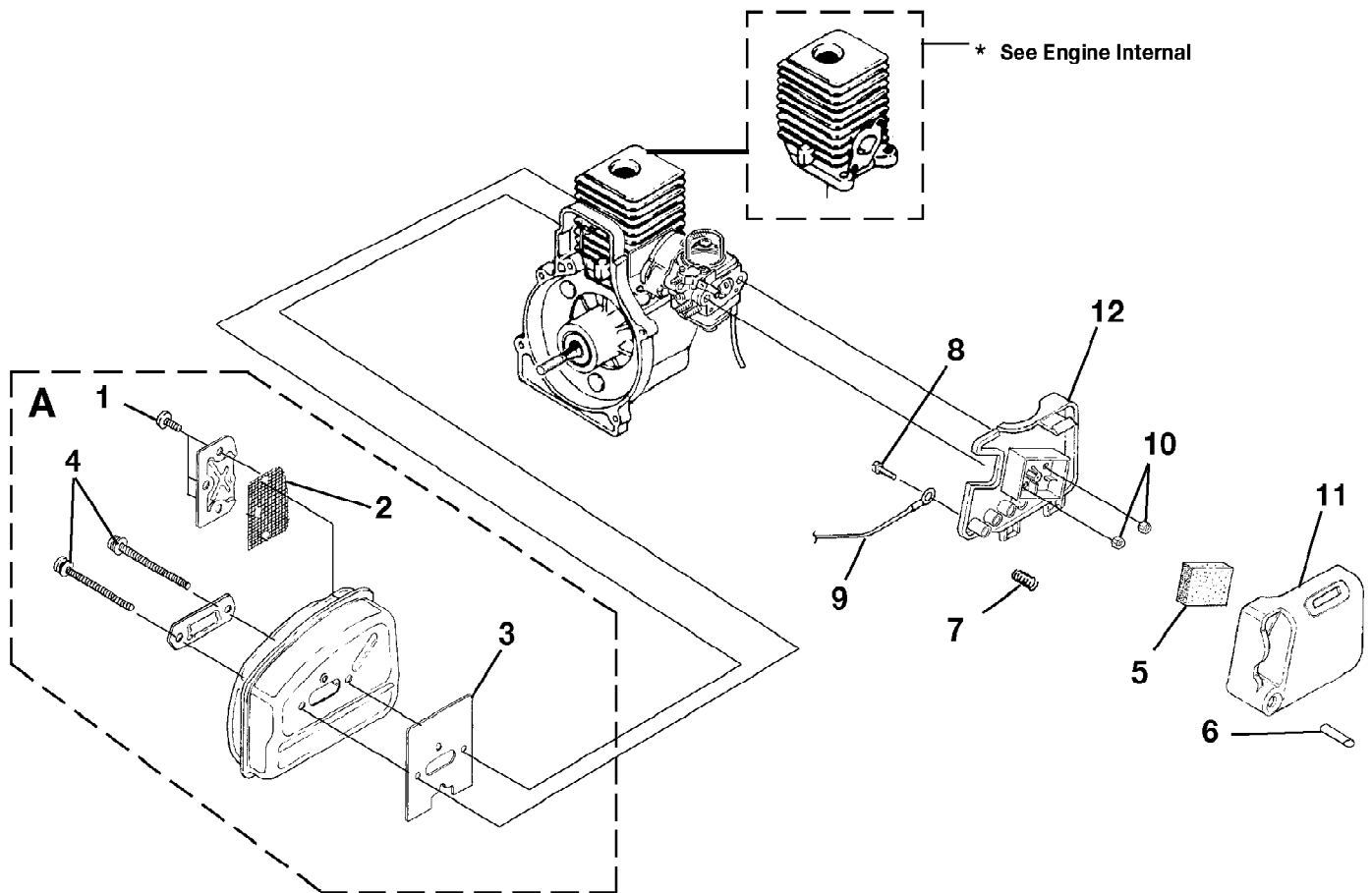


Item No.	Torque Specs		Required Loctite
	In/Lbs	Nm	
1	30-40	3.4-4.5	Blue 242
2	120-180	13.6-20.3	
6	100-150	11.3-16.9	
8	10-20	1.1-2.3	
14	40-50	4.5-5.6	
16	30-50	3.4-5.6	
17	30-40	3.4-4.5	
21	30-50	3.4-5.6	

Trim 'n Edge(TM) String Trimmer UT-20933
Ignition - Rotor - Starter

Page 6 of 10

Ref #	Part Number	Qty	S/P/F	Description
C	984873001	1	/P	IGNITION KIT
1	82540	2	/P	SCREW-Taptite (8-32 x 1")
2	PS02227	1	S/P	SPARK PLUG
3	A07238	1	/P	LEAD-Electrical
4	986153001	1	S/P	ROTOR AND PAWL ASSY.
5	PS84065	1	S/P	WASHER-Flat
6	98795A	1	/P	CONNECTOR-Drive (.250)
7	3074107	1	S	SHORT BLOCK See "Engine Internal"
E	984875001	1		COMPLETE STARTER ASSEMBLY
8	82543	3	/P	SCREW-Taptite (8-16 x 1/2")
9	6300222	1		BAFFLE-Air
10	PS01122	1	/P	PULLEY-Starter
11	9789902	1	S/P	ROPE-Starter (42")
12	A98773A	1	S/P	SPRING & CONTAINER
13	5946702	1	S/P	GRIP-Starter
14	PS01611	1	S/P	CLAMP
15	984633001	1		HOUSING-Rear Kit
16	82563	2	/P	SCREW-Taptite (10-14 x 7/8")
17	82538	4	/P	SCREW-Taptite (10-24 x 3/4")
18	PS04383	1		CONTROL HANDLE - (LH)
19	PS04384	1		CONTROL HANDLE - (RH)
20	983815001	1	S	TRIGGER-Throttle
21	82537	4	/P	SCREW-Taptite (10-14 x 7/8")
22	0883202	1	S/P	CABLE-Throttle

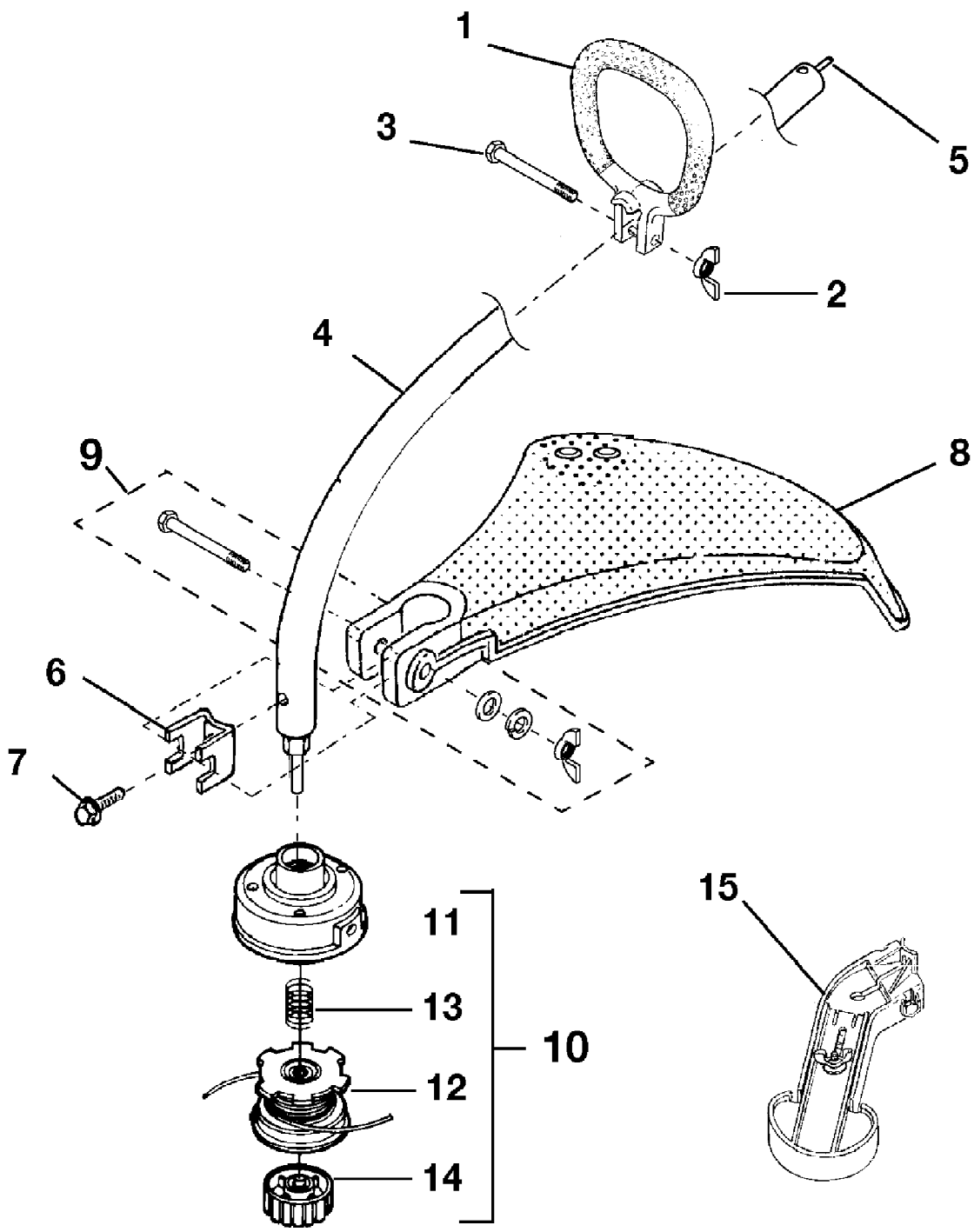


Item No.	Torque Specs		Required Loctite
	In/Lbs	Nm	
1	25-35	2.8-4.0	
4	50-60	5.6-6.8	
8	5-10	.6-1.1	
10	30-40	3.4-4.5	

Trim 'n Edge(TM) String Trimmer UT-20933
Muffler - Air Cleaner

Page 8 of 10

Ref #	Part Number	Qty	S/P/F	Description
A	984872001	1		MUFFLER ASSY.
1	82600	3	/P	SCREW, Taptite- (8-32 X 3/8")
2	06502	1	/P	SCREEN-Spark
3	PS04000	1	/P	GASKET-Muffler
4	PS03999	2	/P	SCREW, Truss Hd. - (10-24 X 2.188)
5	98760	1	/P	FILTER-Air
6	06618A	1	/P	BUTTON-Switch
7	95020A	1	/P	SPRING-Compression
8	82513	1	/P	SCREW-Thread Form (6-19 x 1/2")
9	A07238	1	/P	LEAD-Electrical
10	81208	2	/P	NUT-Hex (10-24)
11	PS02156	1		COVER, Air Box
12	PS02113	1	/P	BOX, Air Filter



Item No.	Torque Specs		Required Loctite
	In/Lbs	Nm	
2	5-25	.6-2.8	
7	15-25	1.7-2.8	

Trim 'n Edge(TM) String Trimmer UT-20933
Shaft - Spool & String - Grass Deflector

Page 10 of 10

Ref #	Part Number	Qty	S/P/F	Description
1	98822A	1	/P	HANDLE ASSY.-Front
2	93992	1	/P	NUT-Wing, Washer Faced (1/4-20)
3	80295	1	/P	SCREW-Cap Hex Hd.
4	PA00472A	1	S/P	DRIVESHAFT HOUSING ASSY.
5	986117001	1	/P	SHAFT-Flexible
6	07928	1	S/P	CLAMP
7	983823001	1	/P	SCREW-Sems Hex Hd. (#10-24 X 3/8")
8	985623002	1	S/P	DEFLECTOR-GRASS (55 Deg.)
9	PA00249	1	/P	FASTENER KIT
10	DA03001A	1	S/P	STRINGHEAD-Complete
11	A98231A	1	S/P	HOUSING & EYELET (Dual Line)
12	PA0387A	1	S	SPOOL & STRING (.080" Line)
13	06713	1	/P	SPRING-Compression
14	A98866A	1	S/P	RETAINER-Spool (RH Thread, Black)
15	UP00008	1		EDGER GUIDE KIT (UT20933 only)
	983000111	1		OWNER'S MANUAL (NOT SHOWN)