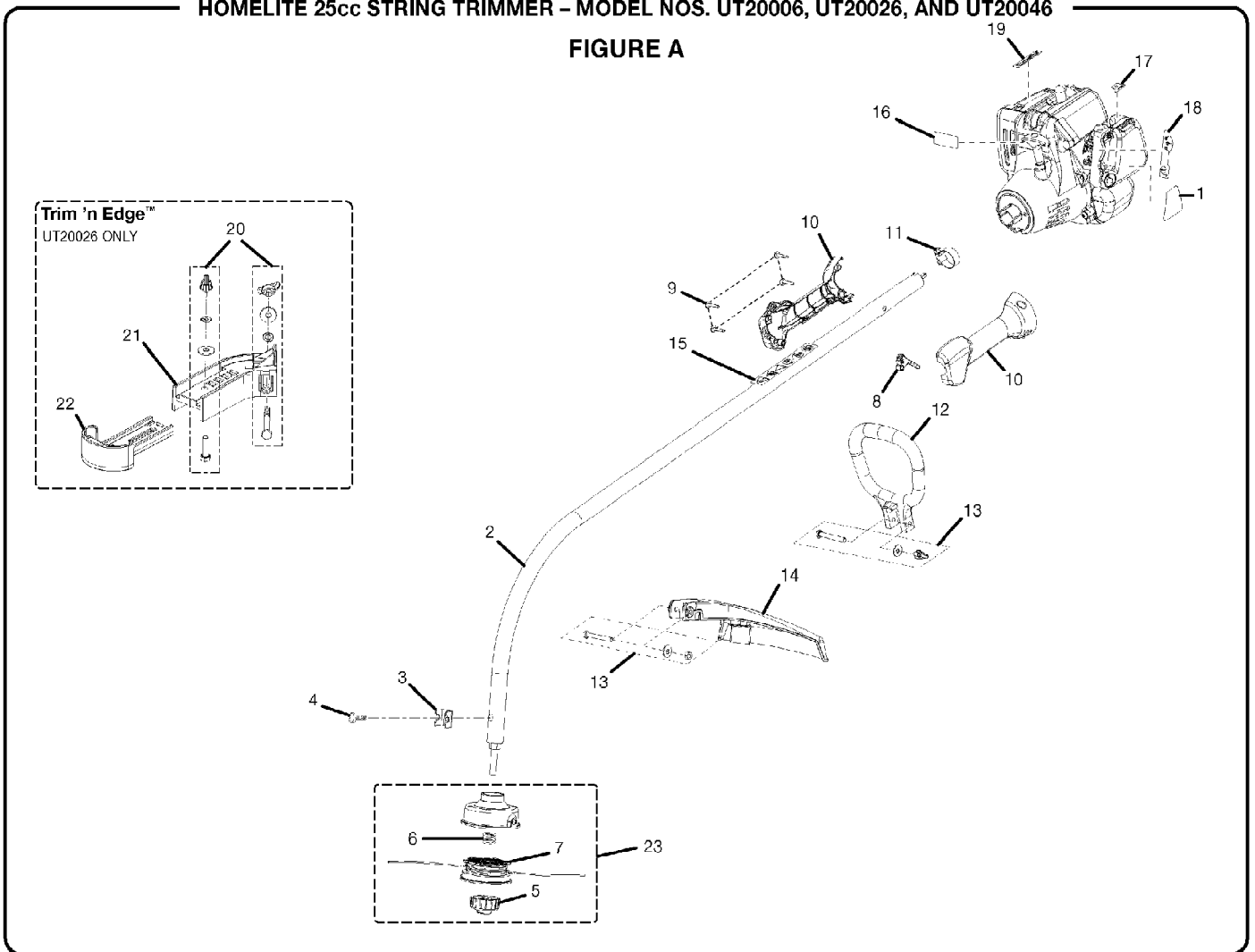


HOMELITE 25cc STRING TRIMMER - MODEL NOS. UT20006, UT20026, AND UT20046

FIGURE A



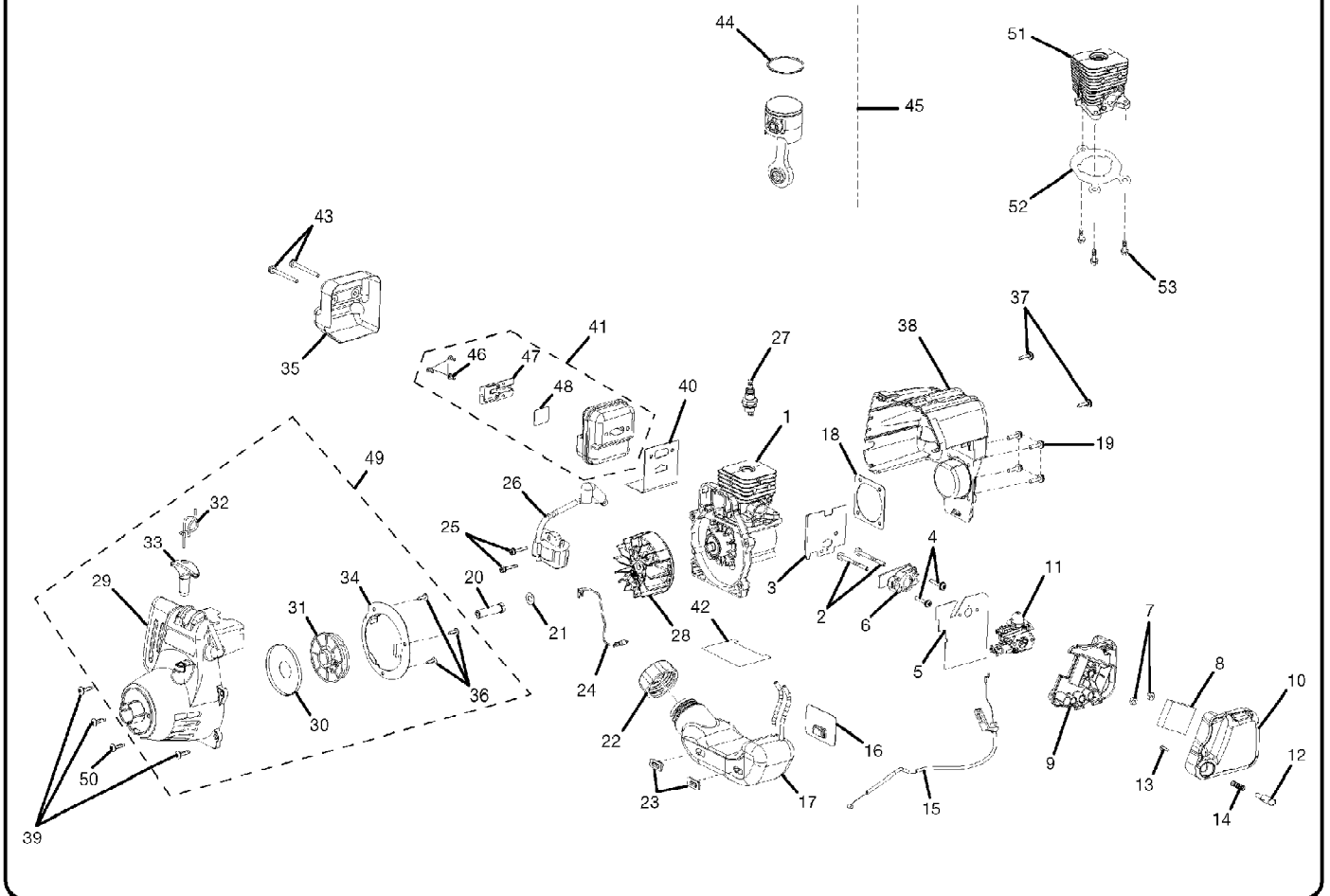
String Trimmer UT-20046  
Figure A

Page 2 of 7

Ref #	Part Number	Qty	S/P/F	Description
1	940299605	1	S	STARTING INSTRUCTION DECAL
2	000998229	1	/P	CURVED SHAFT ASSEMBLY (Trimlite(TM) & Trim 'n Edge(TM)ONLY); (INC. KEY NO. 16)
3	638001001	1	S	CLAMP (Trimlite(TM) & Trim 'n Edge (TM)ONLY)
4	660647001	1	S	SCREW (10-32 x 3/8 in.) May Be Purchased Locally; (Trimlite(TM) & Trim 'n Edge(TM)ONLY)
5	308042002	1	/P	SPOOL RETAINER (RH) (Trimlite (TM) & Trim 'n Edge (TM) ONLY)
6	678022001	1	S	COMPRESSION SPRING
7	308044002	1	/P	SPOOL W/LINE
8	518327001	1	/P	TRIGGER
9	660674001	4	S	SCREW (10-14 x 7/8 in. TRUSS HD.) May Be Purchased Locally
10	000998227	1	/P	HANDLE GRIP ASSEMBLY
11	638012002	1	/P	BOOM CLAMP
12	518030001	1	S	FRONT HANDLE
13	120650001	1	S	FASTENER PARTS KIT
14	308052001	1	S/P	GRASS DEFLECTOR ASSEMBLY (UT20006 AND UT20026)
	308454001	1	/P	GRASS SHIELD ASSEMBLY (UT20046)
15	940230129	1	S	DECAL, WARNING/STARTING BOOM
16	940054123	1	S	DECAL, TRIMLITE LOGO
	940054122	1	S	DECAL, TRIM 'N EDGE
	940054121	1	/P	DECAL, EASY REACH
17	940299602	1	S	DECAL, PRIMER
18	940299606	1	S	DECAL, CHOKE
19	940299603	1	/P	DECAL, HOMELITE
20	120642001	1	S	FASTENER PARTS KIT (Trim 'n Edge (TM) ONLY)
21	518014001	1	S	EDGER BASE (Trim 'n Edge (TM) ONLY)
22	518015001	1	S	EDGER GUIDE (Trim 'n Edge (TM) ONLY)
23	000998230	1	/P	COMPLETE STRING HEAD (.080 in.) (INC. KEY NOS. 5, 6, AND 7)

HOMELITE 25cc STRING TRIMMER - MODEL NOS. UT20006, UT20026, AND UT20046

FIGURE B



String Trimmer UT-20046  
Figure B

Page 4 of 7

Ref #	Part Number	Qty	S/P/F	Description
1	308455001	1	S	SHORT BLOCK ASSEMBLY (EXTERNAL GASKETS NOT INCLUDED)
2	660661001	2	S	CARBURETOR BOLTS
3	900994008	1	S	INTAKE GASKET
4	660662001	2	/P	SCREW (10-24 X 1-1/16 in. PAN HD.) May Be Purchased Locally
5	900740001	1		CARBURETOR GASKET
6	518070001	1	S	HEAT DAM
7	678027001	2	S	LOCK NUT (10-24) May Be Purchased Locally
8	900952001	1	S/P	AIR FILTER
9	518094001	1	S	AIR FILTER BOX
10	518096001	1	S	AIR BOX COVER
11	308054003	1	/P	CABURETOR ASSEMBLY
12	518105001	1	S	BUTTON SWITCH
13	T660619001	1		SCREW, (6-19 X 1/2 in. T.F.)
14	678032002	1	S	COMPRESSION SPRING
15	308055002	1	/P	THROTTLE CABLE W/HANGER
16	570549001	1	/P	BUMPER
17	308181004	1	/P	FUEL TANK (INC. KEY NO. 22)
18	900954001	1	/P	CRANK CASE COVER GASKET
19	660638004	4	S	SCREW (10-24 X 3/4 in. PAN HD. TORX W/LW) May Be Purchased Locally
20	638092001	1	S	DRIVE CONNECTOR
21	631049001	1	S/P	FLAT WASHER
22	300758006	1	/P	FUEL CAP ASSEMBLY
23	570256001	2	S	BUMPER
24	290218001	1	S	LEAD W/TERMINALS
25	660660001	2	S	SCREW (8-32 X 1 in. THREAD FORMING) May Be Purchased Locally
26	308064001	1	S	IGNITION MODULE
27	870170001	1		SPARK PLUG (CHAMPION RCJ4)
28	300952002	1		ROTOR AND PAWL ASSEMBLY
29	300753003	1		STARTER HOUSING ASSEMBLY
30	638033001	1	/P	SPRING AND CONTAINER
31	518098001	1	S	STARTER PULLEY
32	900849002	1	/P	STARTER ROPE
33	511731001	1	S	STARTER GRIP
34	638032001	1	S	BAFFLE
35	638094001	1	S	HEAT SHIELD
36	660694001	3	S	SCREW (8-16 X 1/2 in. THREAD FORMING) May Be Purchased Locally
37	660629001	2	S	SCREW (10-14 X 3/4 in. THREAD FORMING) May Be Purchased Locally
38	518106001	1	/P	REAR HOUSING
39	660630002	3	S	SCREW (10-24 X 3/4 in. TRUSS HD.) May Be Purchased Locally
40	900994006	1	/P	MUFFLER GASKET

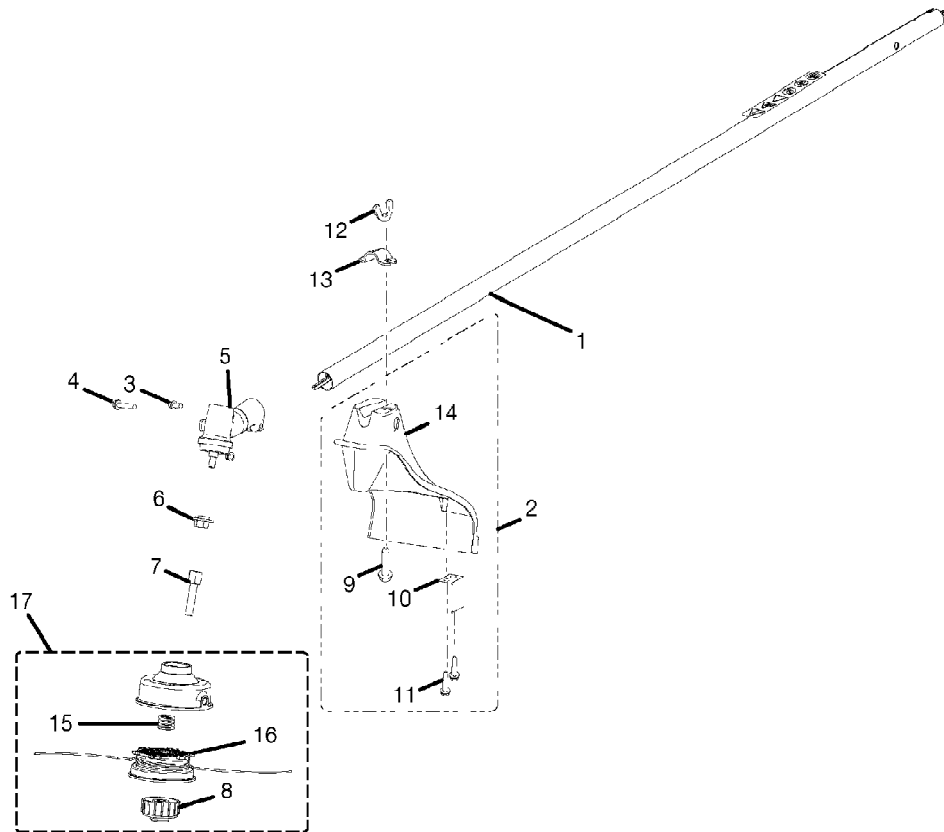
String Trimmer UT-20046  
Figure B

Page 5 of 7

Ref #	Part Number	Qty	S/P/F	Description
41	308092008	1	S	CATALYTIC MUFFLER ASSEMBLY (INCL. KEY NO. 50 THRU 52)
42	900999002	1		GASKET
43	660638003	2	S	SCREW (10-24 X 2-3/16 in. TORX HD. ) May Be Purchased Locally
44	678001003	1	/P	PISTON RING
45	308457001	1		PISTON ASSEMBLY (INCLUDES KEY NO. 44)
46	660870001	3	S	SCREW (6-20 X 1/4 in. PAN HD.) May Be Purchased Locally
47	638044001	1	S	OUTLET TUBE
48	638268001	1	S	SCREEN
49	300753005	1		COMPLETE STARTER ASSEMBLY
50	660616001	1	/P	SCREW (10-24 X 7/8 in. TORX HD.) May Be Purchased Locally
51	640070002	1		CYLINDER
52	900953001	1	/P	CYLINDER GASKET
53	660342002	3		SCREW (M5 X 20 mm)
	983000857	1		OPERATOR'S MANUAL

HOMELITE 25cc STRING TRIMMER - MODEL NO. UT20046

FIGURE C



String Trimmer UT-20046  
Figure C

Page 7 of 7

Ref #	Part Number	Qty	S/P/F	Description
1	000998228	1	/P	STRAIGHT SHAFT ASSEMBLY (INC. LABEL)
2	308454001	1	/P	GRASS SHIELD ASSEMBLY (INC. HARDWARE)
3	660641001	1	/P	SCREW (10-24 x 5/8 in.) May Be Purchased Locally
4	660642001	1	S/P	SCREW (1/4-20 x 1-1/4 in.) May Be Purchased Locally
5	308053004	1	S/P	GEAR HEAD
6	678011002	1	/P	WASHER
7	678019002	1	/P	SHAFT ADAPTER
8	308042003	1	/P	SPOOL RETAINER (LH)
9	660857001	1	S	SCREW, SQUARE HEAD
10	638020001	1	S	CUT OFF BLADE
11	660675001	2	/P	SCREW
12	678246001	1	S	WING NUT
13	638225001	1	S	SHIELD CLAMP
14	518328001	1	S	GRASS SHIELD
15	678022001	1	S	SPRING
16	308044002	1	/P	SPOOL & STRING (.080 in.)
17	000998230	1	/P	COMPLETE STRING HEAD (.080 in.) (INC. KEY NOS. 8, 15, AND 16)