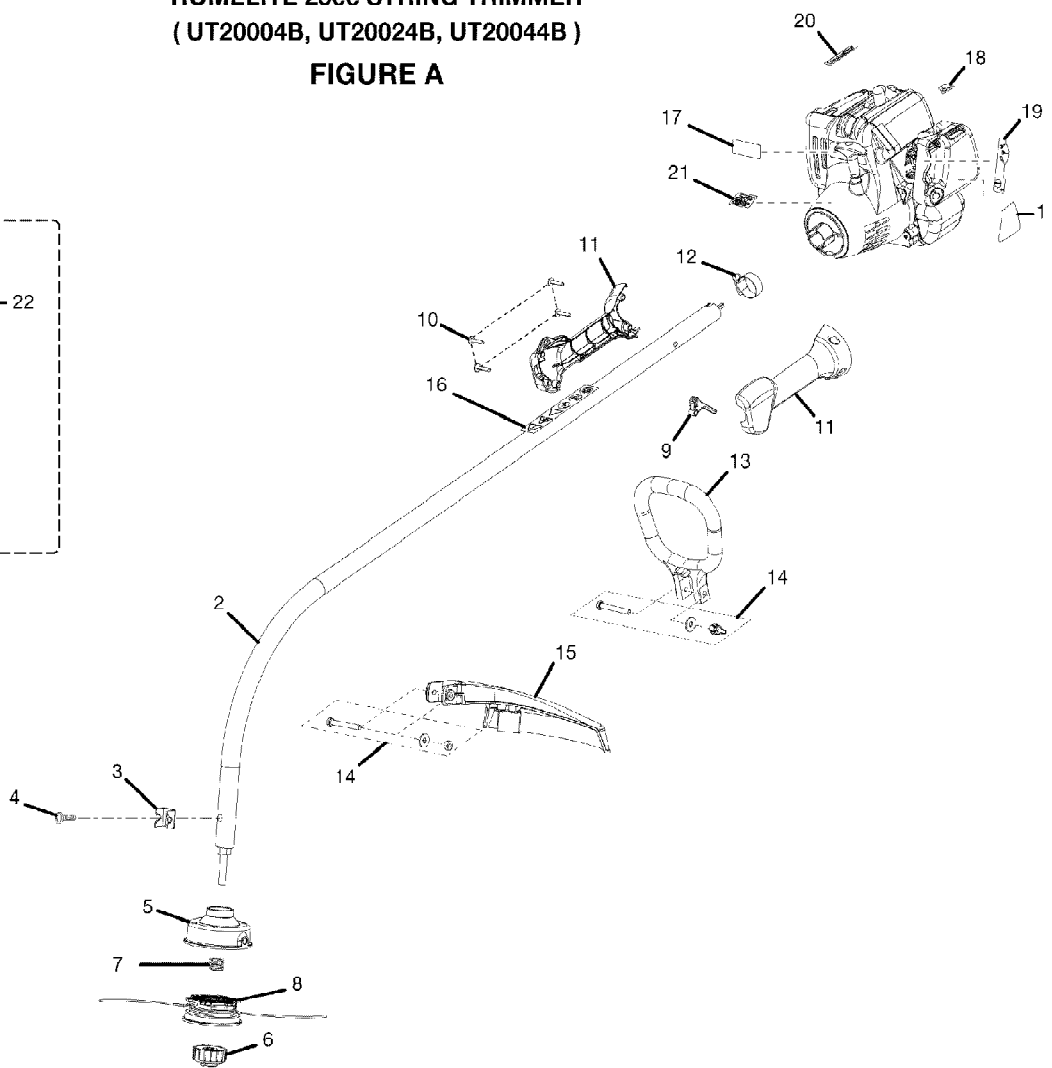
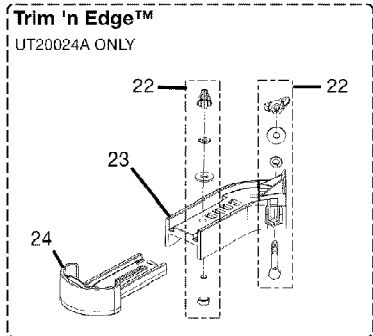


**HOMELITE 25cc STRING TRIMMER  
( UT20004B, UT20024B, UT20044B )**

**FIGURE A**



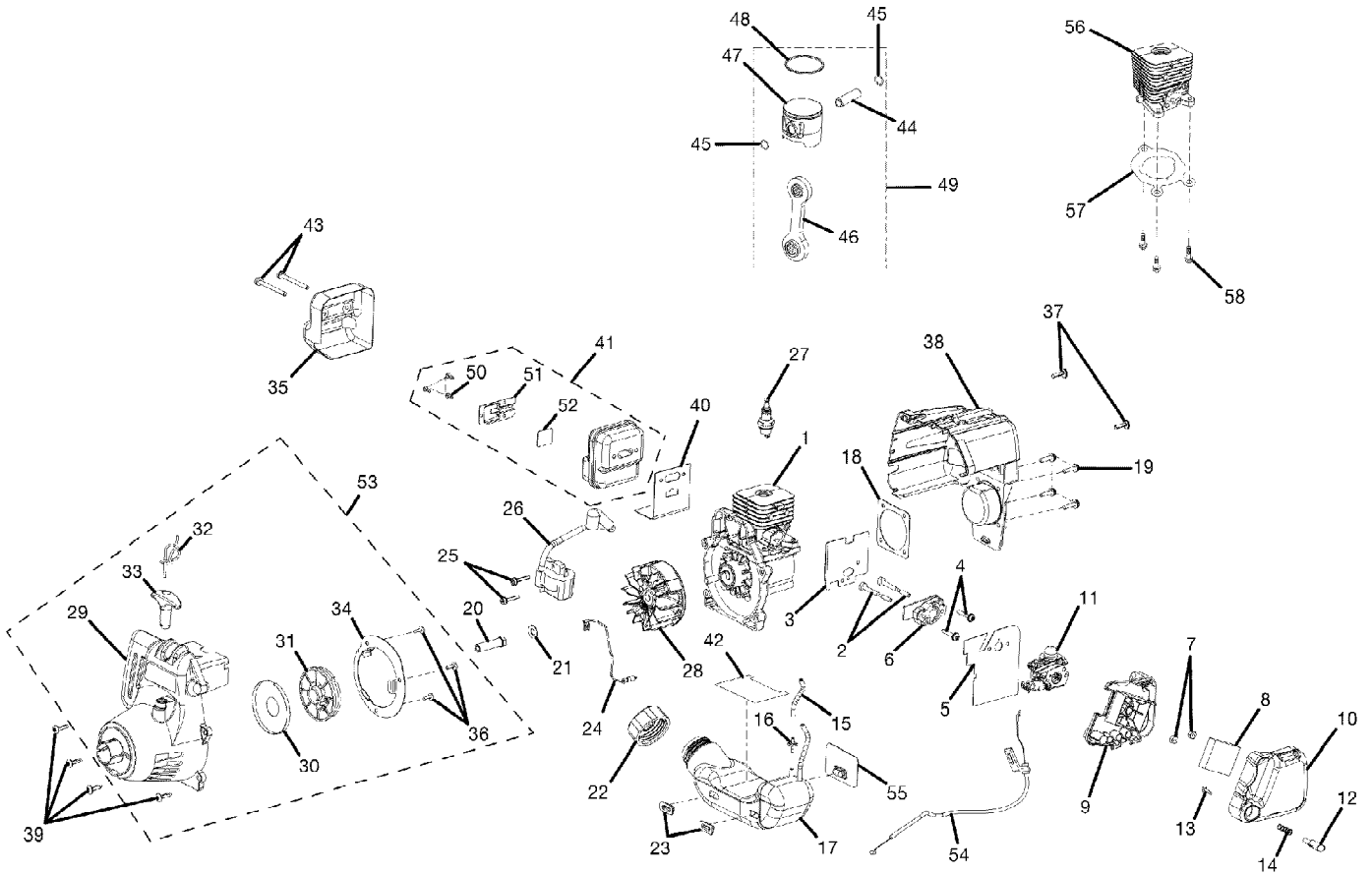
String Trimmer UT-20004-B  
Figure A

Page 2 of 5

Ref #	Part Number	Qty	S/P/F	Description
1	985591001	1		STARTING INSTRUCTION DECAL
2	985380001	1	S/P	CURVED SHAFT ASSEMBLY INC. KEY NO. 16 Trim 'n Edge™ & Trimlite™ ONLY
3	07928	1	S/P	CLAMP Trim 'n Edge™ & Trimlite ONLY
4	983823001	1	/P	SCREW (10-32 x 3/8 in. ) Trim 'n Edge™ & Trimlite™ ONLY; Purchase locally
5	A98231A	1	S/P	HOUSING AND EYELET
6	A98866A	1	S/P	SPOOL RETAINER (RH) Trim 'n Edge™ & Trimlite™ ONLY
7	06713	1	/P	COMPRESSION SPRING
8	PA0387A	1	S	SPOOL W/LINE
9	983815001	1	S	TRIGGER
10	82537	4	/P	SCREW (10-14 x 7/8 in. TRUSS HD.) Purchase locally
11	985330001	1	S	HANDLE GRIP ASSEMBLY
12	PS01611	1	S/P	BOOM CLAMP
13	98822A	1	/P	FRONT HANDLE
14	PA00249	2	/P	FASTENER PARTS KIT
15	985623002	1	S/P	GRASS DEFLECTOR ASSEMBLY (UT20004B AND UT20024B)
16	984032001	1	/P	DECAL, WARNING/STARTING BOOM
17	983837001	1	/P	DECAL, TRIMLITE LOGO
	983838001	1	/P	DECAL, TRIM-N-EDGE
	983839001	1	S	DECAL, EASY REACH
18	985595001	1	/P	DECAL, PRIMER
19	985589001	1	/P	DECAL, CHOKE
20	07184	1	S	DECAL, HOMELITE
21	983840001	1		LABEL, ZIP START Trim 'n Edge™ & EZ Reach™ ONLY
22	A09361	1	/P	FASTENER PARTS KIT Trim 'n Edge™ ONLY
23	09310	1	/P	EDGER BASE Trim 'n Edge™ ONLY
24	09311	1	/P	EDGER GUIDE Trim 'n Edge™ ONLY

HOMELITE 25cc STRING TRIMMER

FIGURE B



String Trimmer UT-20004-B  
Figure B

Page 4 of 5

Ref #	Part Number	Qty	S/P/F	Description
1	985891001	1	S	SHORT BLOCK ASSEMBLY
2	04474	2	/P	CARBURETOR BOLTS
3	984762001	1	/P	INTAKE GASKET
4	093221	2	S/P	SCREW (10-24 X 1-1/16 IN. PAN HD.) Purchase locally
5	9074001	1		CARBURETOR GASKET
6	98768A	1	/P	HEAT DAM
7	81208	2	/P	LOCK NUT (10-24) Purchase locally
8	98760	1	/P	AIR FILTER
9	PS02113	1	/P	AIR FILTER BOX
10	PS02156	1		AIR BOX COVER
11	985624001	1	S/P	CARBURETOR ASSEMBLY
12	06618A	1	/P	BUTTON SWITCH
13	82513	1	/P	SCREW, (6-19 X 1/2 IN. T.F.)
14	95020A	1	/P	COMPRESSION SPRING
15	0143908	1		RUBBER TUBING (2 IN.)
16	985304001	1	/P	INLINE FUEL FITTING
17	PA01624	1	S	FUEL TANK INC. KEY 22
18	06443A	1	S/P	CRANK CASE COVER GASKET
19	984812001	4	/P	SCREW (10-24 X 3/4 IN. PAN HD. TORX W/LW) Purchase locally
20	98795A	1	/P	DRIVE CONNECTOR
21	PS84065	1	S/P	FLAT WASHER
22	A09116	1	S/P	FUEL CAP ASSEMBLY
23	98792	2	/P	BUMPER
24	A07238	1	/P	LEAD W/TERMINALS
25	82540	2	/P	SCREW (8-32 X 1 IN. THREAD FORMING) Purchase locally
26	4306401	1	S	IGNITION MODULE
27	PS02227	1	S/P	SPARK PLUG
28	986153001	1	S/P	ROTOR AND PAWL ASSEMBLY
29	3075303	1	S	STARTER HOUSING ASSEMBLY
30	A98773A	1	S/P	SPRING AND CONTAINER
31	98770A	1	/P	STARTER PULLEY
32	9789902	1	S/P	STARTER ROPE
33	PS06114	1	/P	STARTER GRIP
34	PS00326	1	/P	BAFFLE
35	984743001	1	/P	HEAT SHIELD
36	82543	3	/P	SCREW (8-16 X 1/2 IN. THREAD FORMING) Purchase locally
37	82563	2	/P	SCREW (10-14 X 3/4 IN. THREAD FORMING) Purchase locally
38	984740001	1	S	REAR HOUSING
39	82538	4	/P	SCREW (10-24 X 3/4 IN. TRUSS HD.) Purchase locally
40	984760001	1	S	MUFFLER GASKET
41	985869001	1	/P	CATALYTIC MUFFLER ASSEMBLY INCL. KEY NO. 50 THRU 52
42	900999002	1		GASKET

String Trimmer UT-20004-B  
Figure B

Page 5 of 5

Ref #	Part Number	Qty	S/P/F	Description
43	88083	2	S/P	SCREW (10-24 X 2-3/16 IN. TORX HD.) Purchase locally
44	00238A	1	/P	PIN, PISTON
45	6969102	2		CLIP RING
46	PA00190	1	/P	CONNECTING ROD ASSEMBLY
47	984228001	1	/P	PISTON, 25CC
48	PS04468	1	S/P	PISTON RING
49	3081102	1		PISTON ASSEMBLY INCLUDES KEY NO. 44-48
50	984759001	3	/P	SCREW (6-20 X 1/4 IN. PAN HD.) Purchase locally
51	985596001	1	/P	OUTLET TUBE
52	984753001	1	/P	SCREEN
53	985543001	1		COMPLETE STARTER ASSEMBLY
54	0883202	1	S/P	THROTTLE CABLE W/HANGER
55	985767001	1	S	BUMPER
56	6457005	1		CYLINDER
57	985259001	1	S/P	CYLINDER GASKET
58	PS02807	3	/P	SCREW (10-24 X .66 IN TORX PAN HD.) Purchase locally