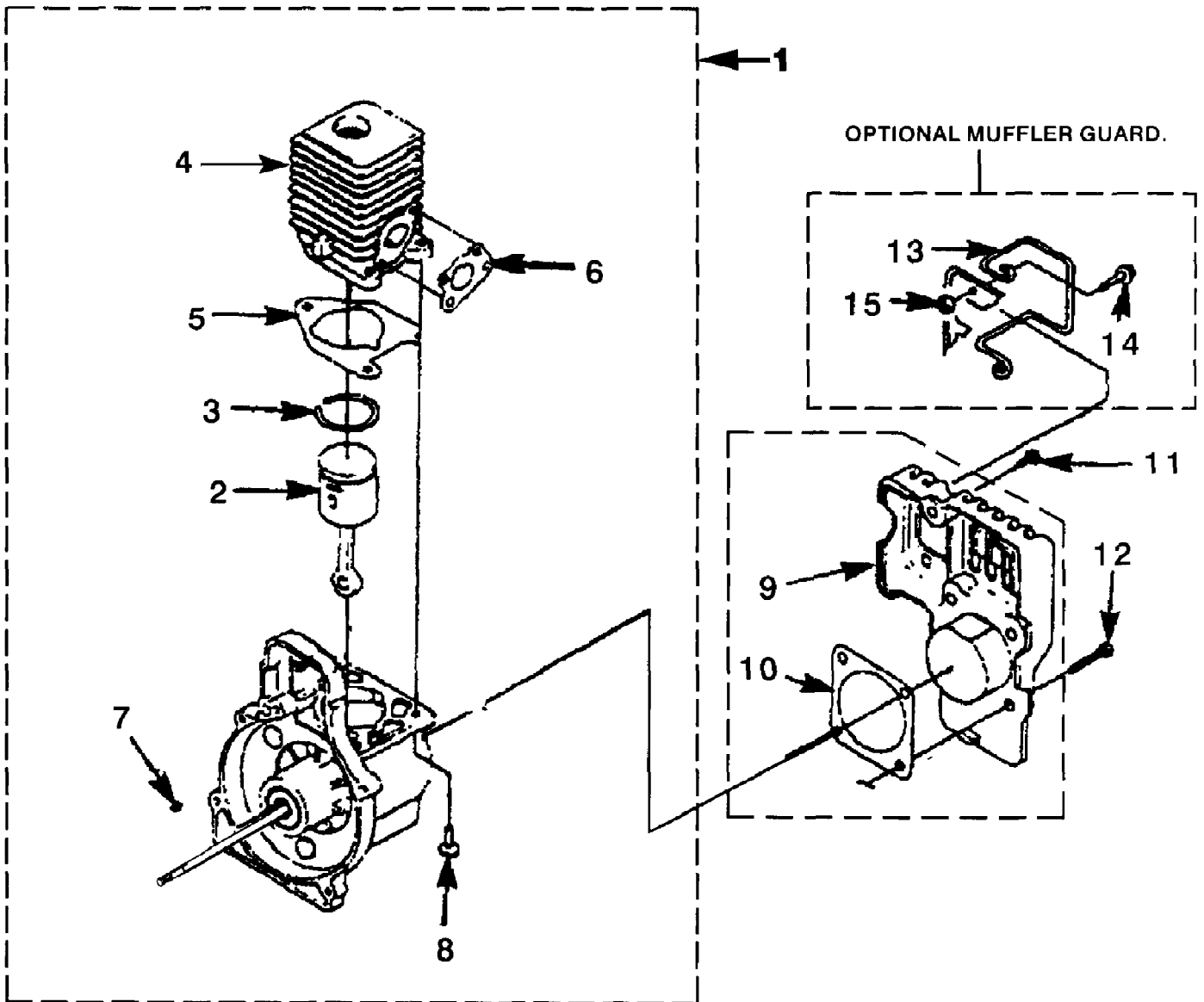


SX135C String Trimmer UT-20667
Carburetor - Fuel Tank

Page 2 of 10

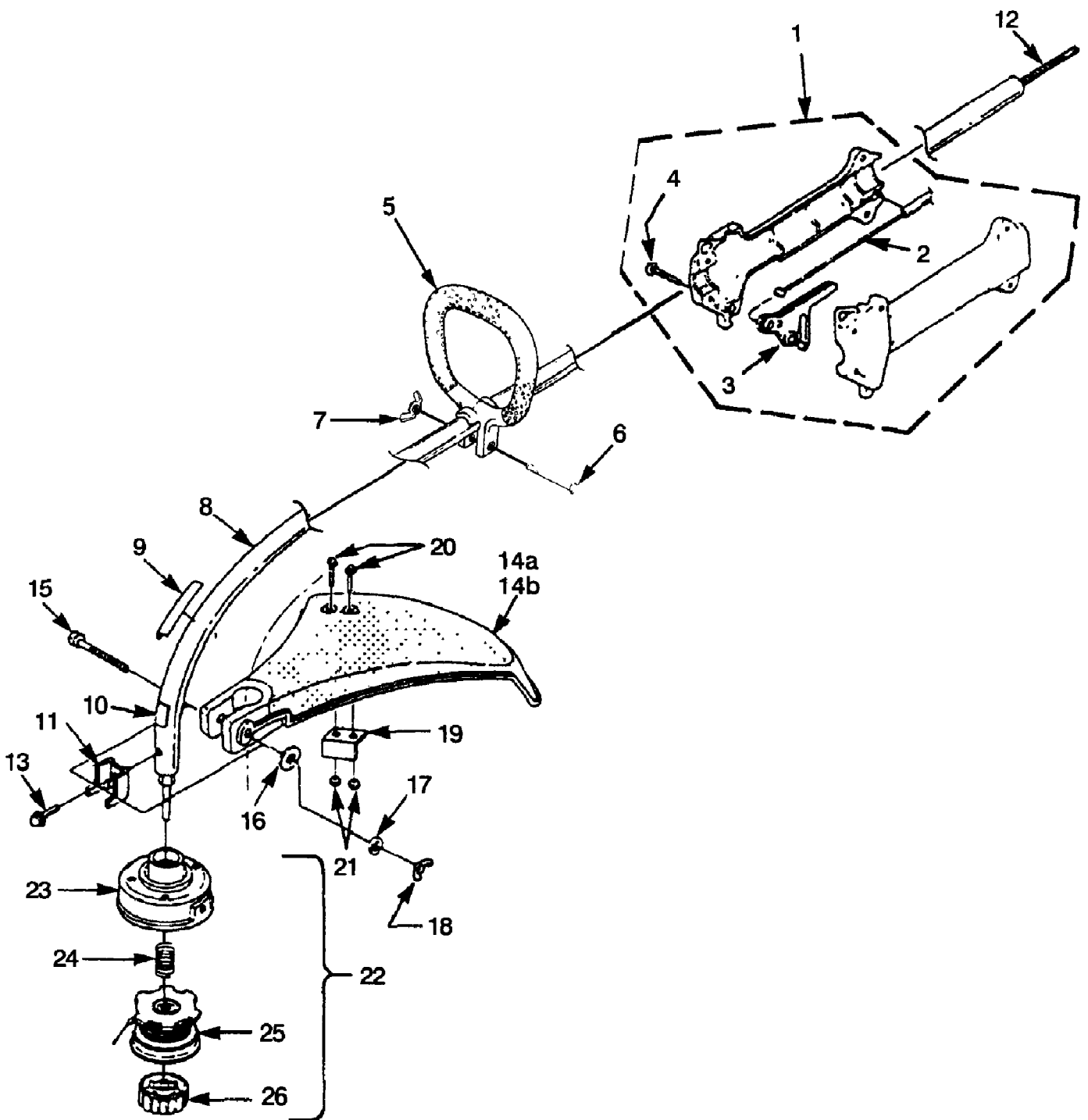
Ref #	Part Number	Qty	S/P/F	Description
1	04474	2	/P	SCREW - Machine (10-24 X 2-1/4") Torque Specs. 30-40 In/Lbs, 3.4-4.5 Nm
2	98768	1	S	HEAT DAM
3	825491	2	S	SCREW - Taptite (10-24 X 1") Torque Specs. 40-50 In/Lbs, 4.5-5.6 Nm; 262 Red Required Locktite
4	A04445A	1	/P	CARBURETOR KIT
5	98766A	1	S/P	GASKET - Carburetor
6	A04447D	1	S	FUEL TANK
7	49422	1	S	FILTER - Fuel
8	0143932	1	S/P	TUBING - Rubber (8")
9	9477232	1	S	TUBING - Rubber (8")
10	98268	1	S/P	CLAMP - Wire
11	A00982B	1	S	FUEL CAP
12	98792	3	/P	BUMPER - Rubber



SX135C String Trimmer UT-20667
Engine Internal

Page 4 of 10

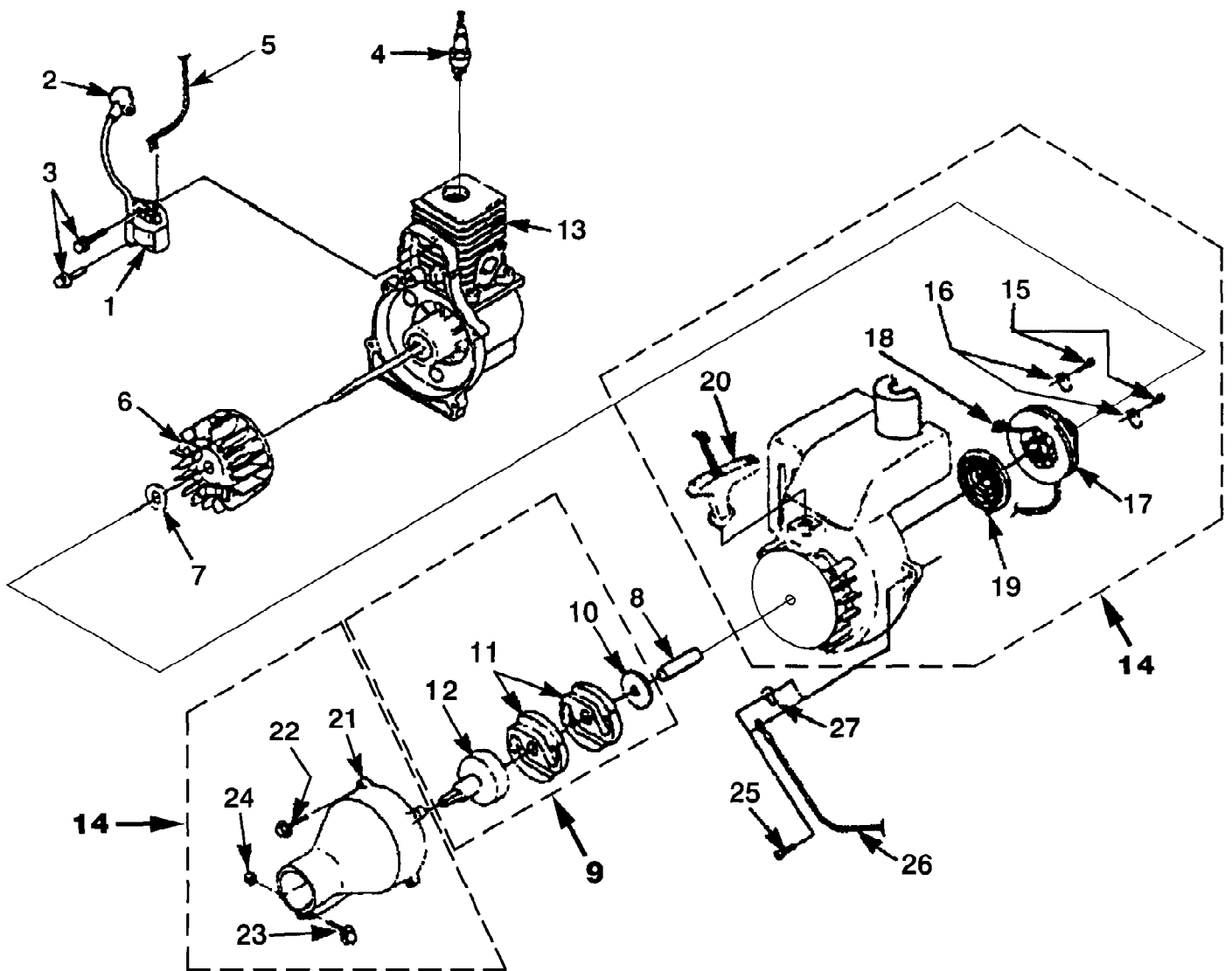
Ref #	Part Number	Qty	S/P/F	Description
1	A09055	1	S	SHORT BLOCK
2	A07314	1	S	25CC PISTON & ROD
3	96935	1	S	RING - Piston
4	A07145B	1	S	25CC CYLINDER KIT
5	04388B	1	S/P	GASKET - Cylinder
6	08840	1	/P	GASKET - Heat Dam
7	69250	1	/P	KEY - Woodruff
8	825691	3	/P	SCREW - Thread Forming (10-24 X 3/4") Torque Specs. 55-65 In/Lbs, 6.2-7.3 Nm; 262 Red Required Loctite
9	A00858	1	/P	CRANKCASE COVER
10	98767A	1	/P	GASKET - Crankcase Cover
11	82541	2	/P	SCREW - Plastite (#10 X 1/2") Torque Specs. 30-40 In/Lbs, 3.4-4.5 Nm
12	82538	4	/P	SCREW - Taptite (10-24 X 1/2") Torque Specs. 25-30 In/Lbs, 2.8-3.4 Nm; 262 Red Required Loctite
13	A00254A	1	/P	WIRE GUARD KIT
14	88049	2	/P	SCREW - Hex Sems (10-24 X 1/2") Torque Specs. 40-50 In/Lbs, 4.5-5.6 Nm
15	81208	2	/P	NUT (10-24)



SX135C String Trimmer UT-20667
Handles - Deflector - String Head - Shaft

Page 6 of 10

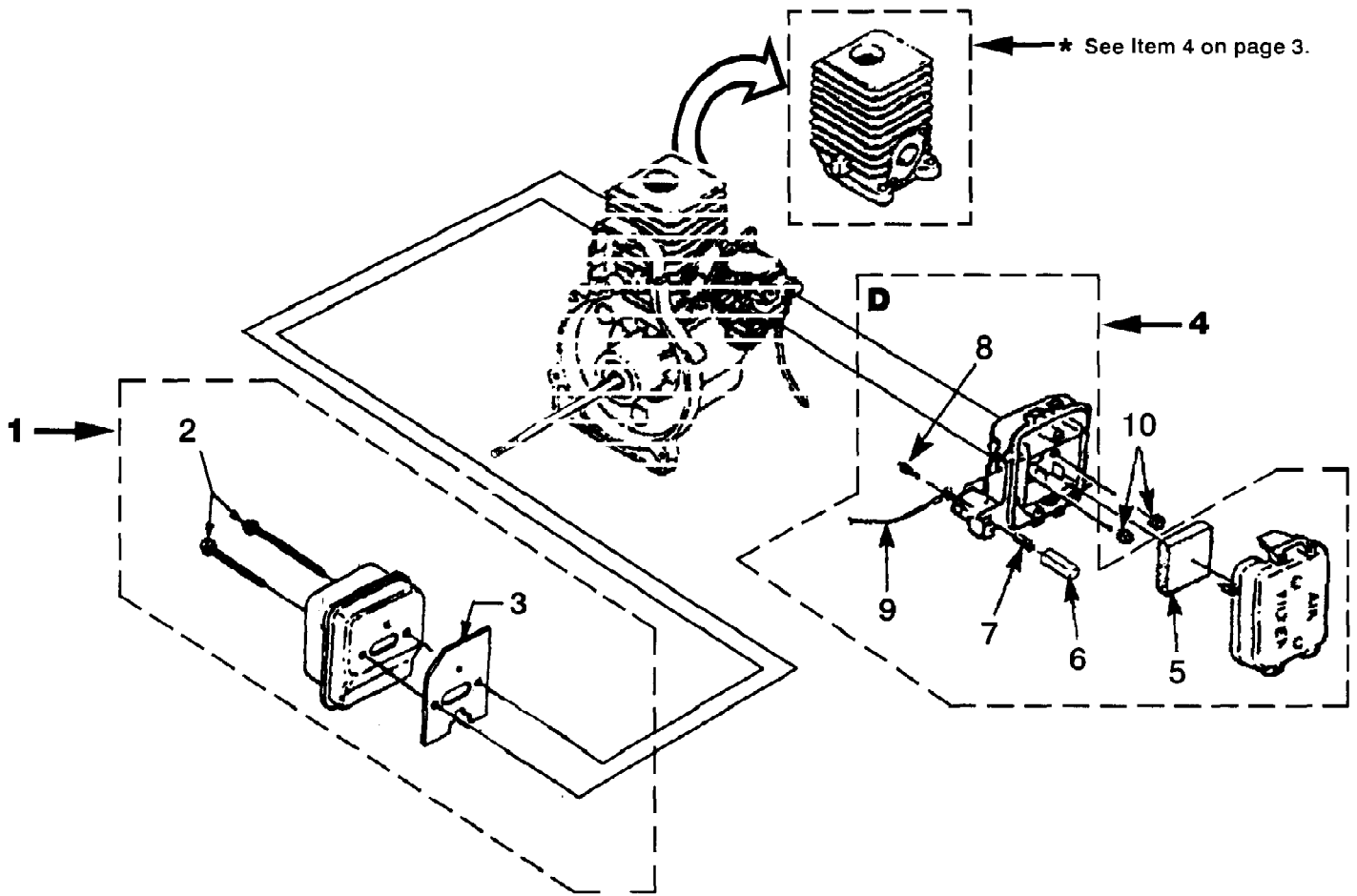
Ref #	Part Number	Qty	S/P/F	Description
1	A00101A	1		HANDLE GRIP ASSEMBLY
2	A03006	1	/P	CABLE - Throttle
3	08833	1	S	TRIGGER
4	82368	5	S	SCREW - Thread Forming (#8 X 3/4") Torque Specs. 15-25 In/Lbs, 1.7-2.8 Nm
5	A04709	1		FRONT HANDLE KIT
6	80295	1	/P	SCREW - Cap Hex Hd (10-24 X 2")
7	93992	1	/P	NUT - Wing (10-24) Torque Specs. 5-30 In/Lbs, .6-3.4 Nm
8	A04459	1	S	HOUSING - Drive Shaft
9	04458	1	S	DECAL - Starting Instructions
10	04679	1	S	DECAL - Warning
11	07928	1	S/P	CLAMP
12	98816	1	S	SHAFT - Flexible
13	88077	1	S	SCREW - Sems Hex Hd (#10 X 1/2) Torque Specs. 15-25 In/Lbs, 1.7-2.8 Nm; 262 Red Required Locktite
14A	A04705	1	S	DEFLECTOR & BLADE KIT (55 Deg.)
14B	A04704	1	S	DEFLECTOR & BLADE KIT (100 Deg.) Both assemblies include 15-21
15	80295	1	/P	SCREW - Cap Hex Hd (10-24 X 2")
16	84006	1	/P	WASHER - Flat (1/4")
17	83009	1	/P	WASHER - Lock (1/4")
18	93992	1	/P	NUT - Wing (10-24) Torque Specs. 5-30 In/Lbs, .6-3.4 Nm
19	A03832	1	S	BLADE - Cut-Off
20	82531	2	/P	SCREW - Mech Hex Hd (10-24 X 7/8") Torque Specs. 15-20 In/Lbs, 1.7-2.8 Nm; 262 Red Required Locktite
21	81261	2	/P	NUT - Hex (10-24)
22	DA03001A	1	S/P	STRINGHEAD - Complete (.080" Line)
23	A98231A	1	S/P	HOUSING & EYELET Dual Line
24	06713	1	/P	SPRING - Compression
25	DA98912E	1	S	SPOOL & STRING (.080" Line)
26	DA98866A	1	S	RETAINER - Spool R.H. Thread, Black



SX135C String Trimmer UT-20667
Ignition - Rotor - Starter - Clutch

Page 8 of 10

Ref #	Part Number	Qty	S/P/F	Description
1	94711CS	1	/P	MODULE - Ignition
2	A33055	1	/P	TERMINAL & COVER
3	82540	2	/P	SCREW - Taptite (8-32 X 1") Torque Specs. 30-40 In/Lbs, 3.4-4.5 Nm
4	79252	1	S	SPARK PLUG Torque Specs. 120-180 In/Lbs, 13.6-20.3 Nm
5	A00681	1		LEAD - Electrical
6	A04158S	1	S	ROTOR KIT
7	95479A	1	/P	WASHER - Flat
8	035661	1	S	SPACER
9	A04655	1		CLUTCH AND DRUM KIT
10	98929A	1	S/P	WASHER - Flat
11	00242	2	/P	CLUTCH
12	A03485A	1	S	CONNECTOR & DRUM
13		1		SHORT BLOCK Ref "Engine Internal" illustration and parts list, Item 1
14	A04638C	1	/P	COMPLETE STARTER ASSEMBLY
15	82541	2	/P	SCREW - Plastite (#10-1/2") Torque Specs. 30-40 In/Lbs, 3.4-4.5 Nm
16	98791	2	/P	BRACKET - Retaining
17	98770A	1	/P	PULLEY - Starter
18	9789902	1	S/P	ROPE - Starter (42")
19	A98773A	1	S/P	SPRING & CONTAINER
20	02264	1	S	GRIP - Starter
21	A02396A	1	/P	TUBE ADAPTER
22	88052	4	/P	SCREW - Hex Hd (10-24 X 7/8") Torque Specs. 30-40 In/Lbs, 3.4-4.5 Nm
23	96624	1	/P	SCREW - Sems Hex Hd (10-24 X 1-1/8")
24	81208	1	/P	NUT (10-24) Torque Specs. 40-50 In/Lbs, 4.5-5.6 Nm
25	82538	4	/P	SCREW - Taptite (10-24 X 3/4") Torque Specs. 55-60 In/Lbs, 6.2-6.8 Nm
26	A98919A	1	S	LEAD - Ground
27	02851	1	/P	TERMINAL - Male



SX135C String Trimmer UT-20667
Muffler - Air Cleaner

Page 10 of 10

Ref #	Part Number	Qty	S/P/F	Description
1	A07315	1	S	MUFFLER COMPLETE
2	88060	2	S/P	SCREW - Sems Hex (10-24 X 2-1/2") Torque Specs. 40-50 In/Lbs, 4.5-5.6 Nm
3	98786C	1	/P	GASKET - Muffler Also included with 25CC Cylinder Kit P/N A07145B
4	A04707A	1	/P	AIR FILTER KIT
5	D98760B	1	S	FILTER - AIR
6	98769	1	/P	BUTTON - Switch
7	95020	1	S	SPRING - Compression
8	82513	1	/P	SCREW - Plastite (#6) Torque Specs. 5-10 In/Lbs, 6-1.1 Nm
9	A07238	1	/P	LEAD - Electrical
10	81208	2	/P	NUT - Hex (10-24) Torque Specs. 40-50 In/Lbs, 4.5-5.6 Nm