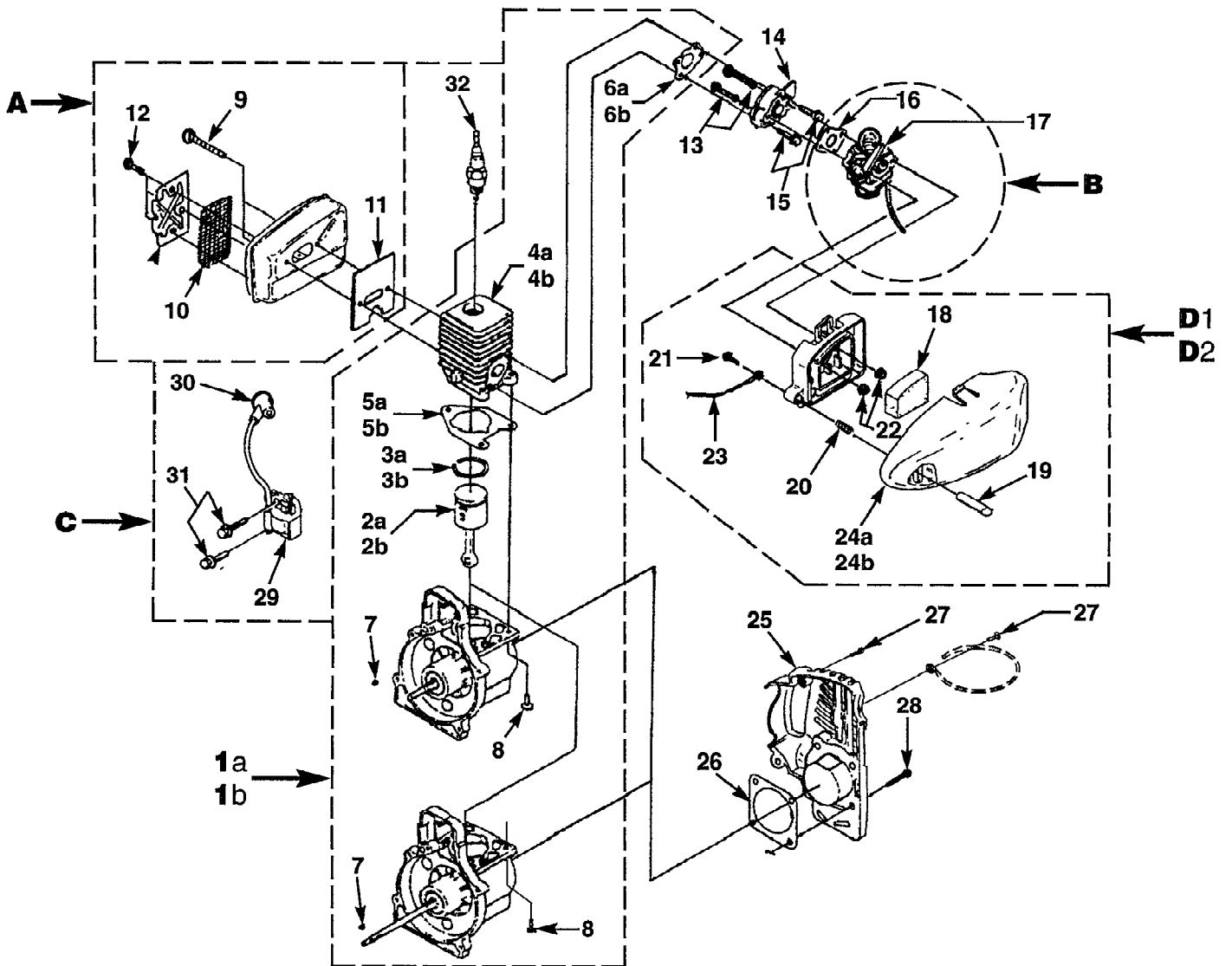


ST730SDR String Trimmer UT-20637-R
Head, Boom & Handles (Rev. A)

Page 2 of 7

Ref #	Part Number	Qty	S/P/F	Description
1	A07137	1	S	FRONT HANDLE ("G")
2	82605	4		SCREW-Hex Hd. (10-24 X 1")
3	81208	4	/P	NUT-Hex (10-24)
4	A04379A	1	S	HOUSING-Drive Shaft
5	98818	1	/P	SHAFT-Flexible
6	04458	1	S	DECAL-Starting Inst.
7	04679	1	S	DECAL-Warning
8	A04836C	1	S	GEAR HEAD
9	82459	5	/P	SCREW-Hex Hd. (10-24 X 1/2")
10	82593	2	/P	SCREW-Hex Hd. (10-24 X 5/8")
11	04168A	1	S/P	WASHER-Flanged
12	04355	1	/P	ADAPTOR-Shaft
13	A04683A	1	/P	GRASS DEFLECTOR KIT
14	00074	1	S	BLADE-Cut-Off
15	80869	2	/P	SCREW-Machine Hex Hd. (10-24 X 3/8")
16	81208	2	/P	NUT-Hex (10-24)
17A	DA03001A	1	S/P	STRINGHEAD COMPLETE (.080" Line)
18A	A98231A	1	S/P	HOUSING & EYELET (Dual Line)
19A	DA98912E	1	S	SPOOL & STRING & SPRING(.080" Line)
20A	06713	1	/P	SPRING-Compression
21A	DA98866A	1	S	RETAINER-Spool (R.H. Thread, Black)
17B	DA04591A	1	S/P	STRINGHEAD COMPLETE (.095" Line) Model d830sd, st730sdr only
18B	A98231A	1	S/P	HOUSING & EYELET (Dual Line) Model d830sd, st730sdr only
19B	DA02598C	1	S	SPOOL & STRING & SPRING (.095" Line) Model d830sd, st730sdr only
20B	06713	1	/P	SPRING-Compression Model d830sd, st730sdr only
21B	DA98866A	1	S	RETAINER-Spool (R.H. Thread, Black) Model d830sd, st730sdr only

ST730SDR String Trimmer UT-20637-R
Intake, Muffler, Ignition & Engine & Internals (Rev. A)



ST730SDR String Trimmer UT-20637-R
Intake, Muffler, Ignition & Engine & Internals (Rev. A)

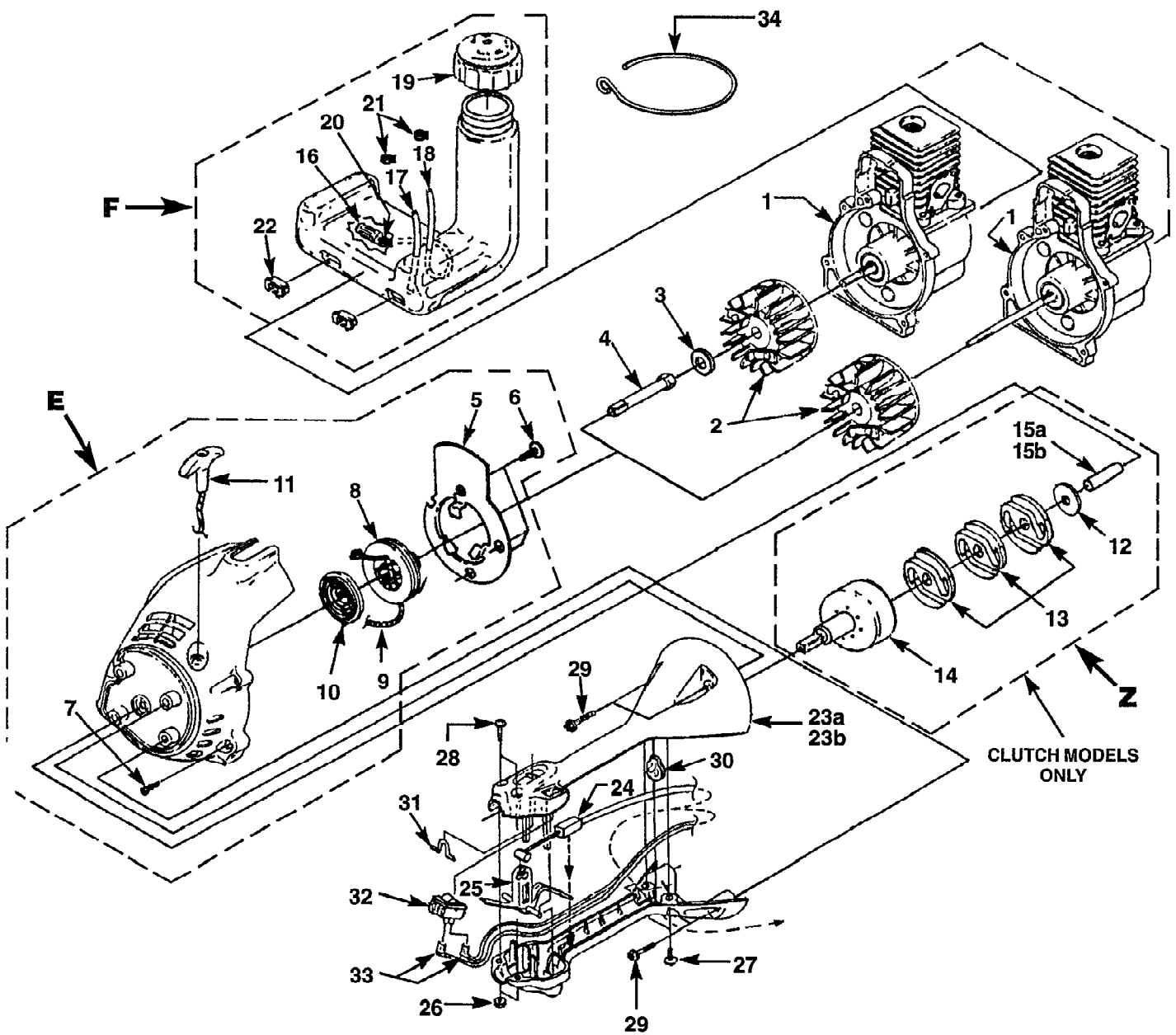
Page 4 of 7

Ref #	Part Number	Qty	S/P/F	Description
1A	A07134	1	S	REPOWER SHORT BLOCK (30CC Non Clutch Models)
1B	A07135	1	S	REPOWER SHORT BLOCK (30CC Clutch Models)
2A	A03599	1	S	30CC PISTON & ROD
3A	03179	2	/P	RING-Piston
4A	A07146A	1	S	30CC CYLINDER KIT (Also includes #'s 11 & 26)
5A	04388B	1	S/P	GASKET-Cylinder
6A	06900A	1	/P	GASKET-Heat Dam
7	69250	1	/P	KEY-Woodruff
8	825691	3	/P	SCREW-Thread Form. (10-24 X 3/4")
4B	A07145	1	S	25CC CYLINDER KIT (Also includes #'s 11 & 26)
5B	04388B	1	S/P	GASKET-Cylinder
6B	06900A	1	/P	GASKET-Heat Dam
2B	A04258	1	S	25CC PISTON & ROD
3B	96935	1	S	RING-Piston
A	A07142	1	S	MUFFLER KIT
9	82599	2	S	SCREW-Machine (#10-24 X 2")
10	06502	1	/P	SCREEN-Spark
11	98786C	1	/P	GASKET-Muffler (Also included with #'s 4A & 4B)
12	80939	3	S	SCREW-Machine-Pan Slotted (8-32 X 3/4")
13	04474	2	/P	SCREW-Machine (10-24 X 2 1/4")
14	98768	1	S	HEAT DAM
15	825491	2	S	SCREW-Taptite (10-24 X 1")
B	A07139	1	S	CARBURETOR
16	987661	1	/P	GASKET-Carburetor
17	07377	1	S	LEVER-Choke Rod-(ZAMA)
	07376	1	/P	LEVER-Choke Rod-(WALBRO)
D1	A07140	1	/P	AIR FILTER KIT W/PUSH-BUTTON STOP
18	D06615	1	S	FILTER-Air
19	06618	1	S	BUTTON-Switch
20	95020	1	S	SPRING-Compression
21	82513	1	/P	SCREW-Plastite (#6-19 X 1/2")
22	81208	2	/P	NUT-Hex (10-24)
23	A07238	1	/P	LEAD-Electrical
24A	06622	1	S	COVER-Air Filter
D2	A07157	1		AIR FILTER KIT W/O PUSH-BUTTON STOP
18	D06615	1	S	FILTER-Air
22	81208	2	/P	NUT-Hex (10-24)
24B	07051	1	S	COVER-Air Filter
25	A07138	1	/P	CRANKCASE COVER
26	06443	1		GASKET-Crankcase Cover (Also included with #'s 4A & 4B)
27	82563	3	/P	SCREW-Plastite (#10 X 3/4")
28	82539	4	S/P	SCREW-Taptite (10-24 X 7/8")
C	A04446	1	S	IGNITION KIT
29	94711CS	1	/P	MODULE-Ignition

ST730SDR String Trimmer UT-20637-R
Intake, Muffler, Ignition & Engine & Internals (Rev. A)

Page 5 of 7

Ref #	Part Number	Qty	S/P/F	Description
30	A33055	1	/P	TERMINAL & COVER
31	82540	2	/P	SCREW-Taptite (8-32 X 1")
32	96169S	1	S	SPARK PLUG



ST730SDR String Trimmer UT-20637-R
Tank, Clutch & Starter (Rev. A)

Page 7 of 7

Ref #	Part Number	Qty	S/P/F	Description
1		1		SHORT BLOCK (Ref. to REPOWER SHORT BLOCK (30CC Non-Clutch Models) P/N A07134; REPOWER SHORT BLOCK (30CC Clutch Models P/N A07135)
2	A04158	1	S	ROTOR w/Starter Pawls
3	84065	1	S	WASHER-Flat (5/16)
4	98795A	1	/P	CONNECTOR-Drive
E	A07143	1	S	COMPLETE STARTER ASSEMBLY
5	06541A	1	S	PLATE-Baffle
6	82543	3	/P	SCREW-Plastite (8-16 X 5/8")
7	82538	4	/P	SCREW-Thread Form. (10-24 X 3/4")
8	98770A	1	/P	PULLEY-Starter
9	9789902	1	S/P	ROPE-Starter (42")
10	A98773A	1	S/P	SPRING & CONTAINER
11	06598	1	S	GRIP-Starter
Z	A04655	1		CLUTCH & DRUM Kit Models (z725cb, st725cbr, bc730sbr, d830cb, d830sb, d830sba, z830sb, x830sba only)
12	98929A	1	S/P	WASHER-Flat
13	00242	3	/P	CLUTCH
14	A03485A	1	S	CONNECTOR & DRUM
15A	035661	1	S	SPACER (30CC) 3 Shoe Clutch
15B	035662	1	S	SPACER (25CC) 2 Shoe Clutch
F	A07141A	1	S	FUEL TANK COMPLETE
16	49422	1	S	FILTER-Fuel
17	9477222	1	/P	TUBING-Rubber (5 1/2")
18	9477228	1		TUBING-Rubber (7")
19	DA06486	1	S	FUEL CAP
20	98268	1	S/P	CLAMP
21	93426	2	/P	CLAMP
22	98792	4	/P	BUMPER-Rubber
23A	A07144	1		CONTROL HANDLE (W/O Switch)
24	06603A	1		CABLE-Throttle
25	06605	1		TRIGGER
26	81208	2	/P	NUT-Hex (#10-24)
27	82537	2	/P	SCREW-Plastite (#10-14 X 7/8")
28	82556	2	/P	SCREW-Machine (#10-24 X 1 1/4")
29	82558	4	/P	SCREW-Plastite (#10-14 X 1 1/8")
30	06620	1	/P	STOP-Drive Shaft
31	06802	1	/P	HOOK-Strap
23B	A07158	1		CONTROL HANDLE (Ignition Switch Models); (Includes 24-31)
32	07920	1	S	SWITCH-Rocker
33	A07149	2	S	LEADS-Electrical
34	07183	1	S	SUPPORT-Wire