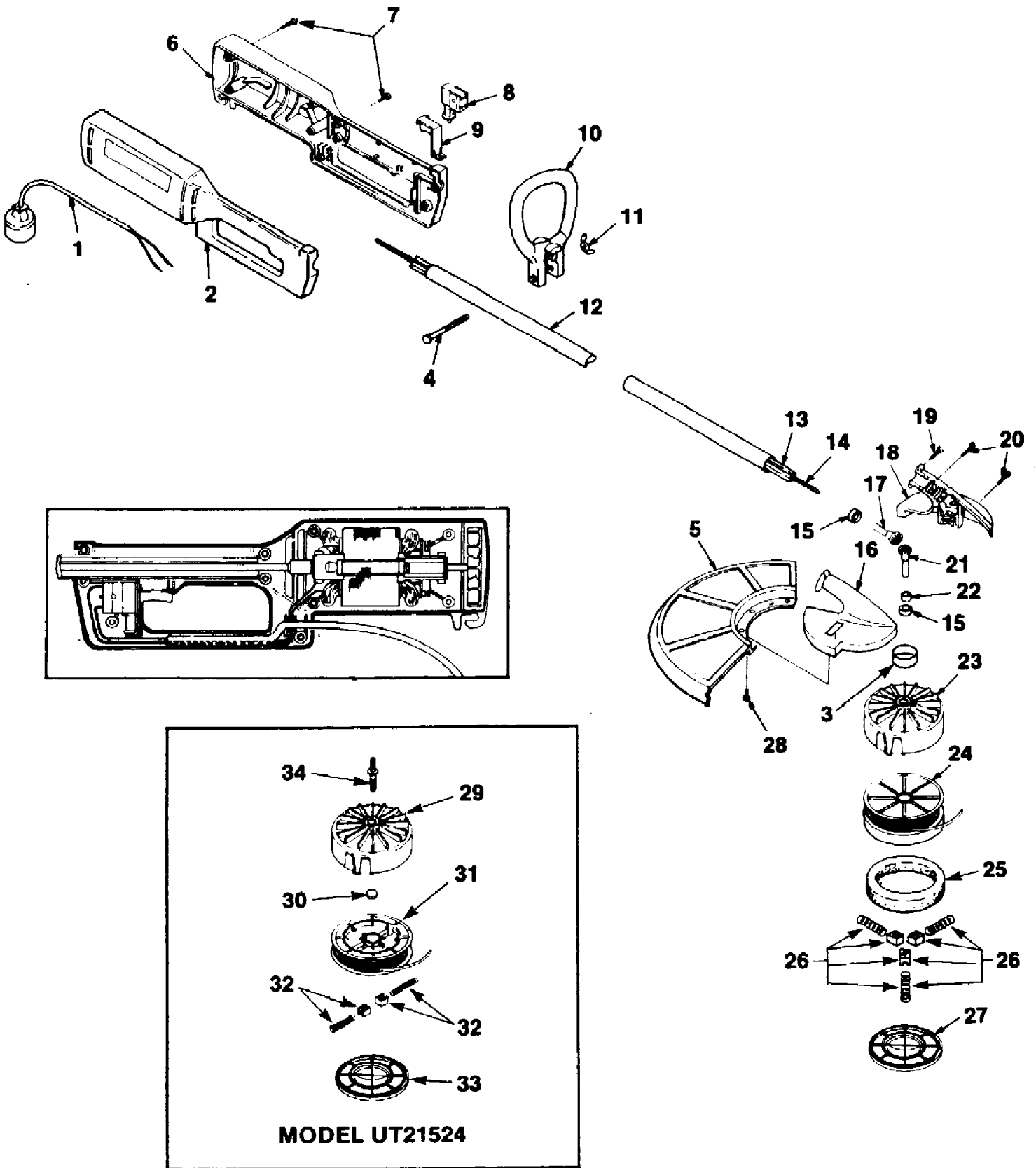


ST70 Electric String Trimmer UT-21524
Exploded View



ST70 Electric String Trimmer UT-21524
Exploded View

Page 2 of 2

Ref #	Part Number	Qty	S/P/F	Description
1	98720A	1		CORD SET
2	98980	1		HOUSING- Motor (right)
3	01393	1		WASHER- Cupped (UT21524-A)
4	80295	1	/P	SCREW- Hex hd. (1/4-20 x 2")
5	A00004A	1		STRING GUARD w/Cut-off blade
6	98979	1		HOUSING- Motor (left)
7	93243	10		SCREW- Thd. forming (#10-16 x 9/16")
8	95547A	1	S	SWITCH
9	98983	1		TRIGGER- Switch
10	00065	1		HANDLE- Front
11	93992	1	/P	NUT- Wing
12	98978	1		TUBE
13	00002	1		TUBE- Liner
14	00003A	1		SHAFT- Flexible
15	00786	2		BEARING
16	98988A	1		HOUSING- Gear (right)
17	98990A	1		GEAR- Drive
18	98987A	1		HOUSING- Gear (left)
19	94065	2		SCREW- Thd. forming (10-16 x 3/4")
20	82526	8	/P	SCREW- Thd. forming (6-19 x 3/4")
21	98989A	1		GEAR- Driven
22	00441	1		BEARING- Flange
23	A00854	1		STRINGHEAD & EYELET ASSY. (UT21524-A)
24	A00848	1		SPOOL & STRING (UT21524-A)
25	00844	1		RING- Foam (UT21524-A)
26	A01791	1		SLIDE & SPRING KIT (UT21524-A)
27	00751	1		RETAINER- Spool (UT21524-A)
28	82535	5	S	SCREW- Thd. forming (#10-14 x 5/8")
29	A00534	1		STRINGHEAD EYELET ASSY. (UT21524)
30	00511	1		BUMPER- Rubber (UT21524)
31	DA95916B	1		SPOOL & STRING (UT21524)
32	A96586	1		SLIDE & SPRING KIT (UT21524)
33	951371	1		RETAINER- Spool (UT21524)
34	00442	1		CONNECTOR- Drive (UT21524)
	00417B	1		CONNECTOR- Motor to Cable