

**EN ACCESSORIES**  
**F ACCESSOIRES**  
**NL TOEBEHOREN**  
**D ZUBEHÖR**  
**I ACCESSORI**  
**E ACCESORIOS**  
**P ACESSÓRIOS**

- |   |   |
|---|---|
| <p> <b>EN Holding tool</b> ..... 00063<br/> <b>F</b> Outil de maintien<br/> <b>NL</b> Blokkeerpen<br/> <b>D</b> Haltewerkzeug<br/> <b>I</b> Attrezzo di bloccaggio<br/> <b>E</b> Herramienta sujetadora<br/> <b>P</b> Acessório de suporte                 </p>   | <p> <b>EN Ignition Test Spark Plug</b> ..... JA-31316-4<br/> <b>F</b> Testeur d'allumage<br/> <b>NL</b> Bougie voor ontstekingscontrole<br/> <b>D</b> Testzündkerze für Zündprüfung<br/> <b>I</b> Candela di collaudo<br/> <b>E</b> Bujía para probar el encendido<br/> <b>P</b> Vela de ensaio da ignição                 </p>   |
| <p> <b>EN Grease, Multi-Purpose</b> ..... 18453<br/> <b>F</b> Graisse universelle<br/> <b>NL</b> Universeel vet<br/> <b>D</b> Mehrzweck-Schmiermittel<br/> <b>I</b> Grasso, multiuso<br/> <b>E</b> Grasa universal<br/> <b>P</b> Lubrificante, para fins múltiplos                 </p>   | <p> <b>EN Rubber Tubing (10 ft) (3,05 m)</b> ..... 94772-99<br/> <b>F</b> Tubes en caoutchouc (3,05 m)<br/> <b>NL</b> Rubber slang (3,05 m)<br/> <b>D</b> Gummirohr (3,05 m)<br/> <b>I</b> Dotto di gomma (3,05 m)<br/> <b>E</b> Tubo de caucho (3,05 m)<br/> <b>P</b> Tubo de borracha (3,05 m)                 </p>   |
| <p> <b>EN Carburetor Repair Tool</b> ..... 17789<br/> <b>F</b> Outil de réparation de carburateur<br/> <b>NL</b> Reparatiegereedschap voor carburateur<br/> <b>D</b> Vergaser-Reparaturwerkzeug<br/> <b>I</b> Attrezzo di riparazione del carburatore<br/> <b>E</b> Herramienta de reparación del carburador<br/> <b>P</b> Ferramenta de reparação do carburador                 </p>               | <p> <b>EN Starter Rope (250 ft Reel) (76 m)</b> ..... 98052-A<br/> <b>F</b> Cordon de lanceur (bobine de 76 m)<br/> <b>NL</b> Startkoord (spoel met 76 m)<br/> <b>D</b> Starterseil (76 m Spule)<br/> <b>I</b> Corda d'avviamento (bobina da 76 m)<br/> <b>E</b> Cuerda de arranque (carrete de 76 m)<br/> <b>P</b> Cabo do arrancador (rolo de 75 m)                 </p>  |
| <p> <b>EN Thread Locking Compound</b> ..... 23488-C<br/> <b>F</b> Produit de blocage de filetage<br/> <b>NL</b> Borgmiddel voor schroefdraden<br/> <b>D</b> Gewinde-Sicherungsmasse<br/> <b>I</b> Composto di bloccaggio della filettatura<br/> <b>E</b> Pasta selladora de roscas<br/> <b>P</b> Composto de retenção de roscas                 </p>  | <p> <b>EN Torx Drive Bit T25</b> ..... 24982-01<br/> <b>F</b> Foret torx<br/> <b>NL</b> Torx-drijfbit<br/> <b>D</b> Torx-Antriebsbit<br/> <b>I</b> Punta Torx Drive<br/> <b>E</b> Broca de empuje Torx<br/> <b>P</b> Broca accionadora Torx                 </p>  |
| <p> <b>EN Shim (.125") (3,17 mm)</b> ..... 24306<br/> <b>F</b> Cale (3,17 mm)<br/> <b>NL</b> Afstandsbus (3,17 mm)<br/> <b>D</b> Distanzscheibe (3,17 mm)<br/> <b>I</b> Spessore (3,17 mm)<br/> <b>E</b> Suplemento (3,17 mm)<br/> <b>P</b> Calço (3,17 mm)                 </p>  | <p> <b>EN Torx Bit (for clutch drum) T25</b> ..... 24982-03<br/> <b>F</b> Foret torx (pour tambour d'embrayage)<br/> <b>NL</b> Torx drijfbit (voor koppelingstrommel)<br/> <b>D</b> Torx-Antriebsbit (für Kupplungstrommel)<br/> <b>I</b> Punta Torx Drive (per il tamburo della frizione)<br/> <b>E</b> Broca de empuje Torx (tambor del embrague)<br/> <b>P</b> Broca Torx (para o tambor da embraiagem)                 </p> |
| <p> <b>* EN Grass Anti Wrap Kit</b> ..... A-04191<br/> <b>F</b> Nécessaire anti-enroulement d'herbe<br/> <b>NL</b> Apparaatje om te voorkomen dat gras zich rond de aandrijfjas wikkelt<br/> <b>D</b> Grasrückhalter<br/> <b>I</b> Kit antiavvolgimento d'erba<br/> <b>E</b> Dispositivo contra la acumulación de pasto<br/> <b>P</b> Dispositivo contra a acumulação de relva                 </p> |   |

\*ST-145, ST-155, ST-175, ST-175C, ST-175BC, HGT, GST.

ST485 String Trimmer UT-15047-B  
Accessories

Page 2 of 7

Ref #	Part Number	Qty	S/P/F	Description
00063	00063	1	S/P	Holding tool
18453	18453	1	/P	Grease, Multi-Purpose
17789	17789	1	S	Carburetor Repair Tool
23488C	23488C	1		Thread Locking Compound
24306	24306	1	S	Shim (.125") (3.17 mm)
A-04191	A04191	1		Grass Anti Wrap Kit ST-145, ST-155, ST-175, ST-175C, ST-175BC, HGT, GST
JA313164	JA313164	1		Ignition Test Spark Plug
9477299	9477299	1	/P	Rubber Tubing (10 ft.) (3.05 m)
98052-A	98052A	1	/P	Starter Rope (250 ft. Reel) (76 m)
2498201	2498201	1		Torx Drive Bit T25
24982-03	2498203	1	S	Torx Bit (for clutch drum) T25

**GB CARBURETOR**  
**F CARBURATEUR**  
**NL CARBURATEUR**  
**D VERGASER**  
**I CARBURATORE**  
**E CARBURADOR**  
**P CARBURADOR**

**GB ZAMA ..... A-03003**

**GB Repair Kit ..... A-03979**

**F** Jeu de réparation

**NL** Reparatieset

**D** Reparatursatz

**I** Kit per riparazioni

**E** Juego de reparación

**P** Jogo de reparação

**GB Gasket/Diaphragm Kit ..... A-03980**

**F** Jeu joint/diaphragme

**NL** Pakking/membraan set

**D** Dichtung/Membrane-Satz

**I** Kit diaframma/guarnizione

**E** Conjunto junta/diafragma

**P** Jogo de juntas vedantes/diafragmas

**GB Primer Bulb ..... A-01195-A**

**F** Bouton d'amorçage

**NL** Voorinspuitpomp

**D** Vorpumpe

**I** Cicchetto

**E** Bulbo cebador

**P** Bolha da unidade de escorvagem

**GB Primer Base\* (Aluminium) ..... A-01194**

**GB Primer Base\* (Plastic) ..... A-03062**

**F** Base d'amorçage\* (aluminium)  
Base d'amorçage\* (plastique)

**NL** Voorinspuit-sokkel\* (aluminium)  
Voorinspuit-sokkel\* (plastic)

**D** Vorpumpen-Sockel\* (Aluminium)  
Vorpumpen-Sockel\* (Plastik)

**I** Base del cicchetto\* (alluminio)  
Base del cicchetto\* (plastica)

**E** Base de cebador\* (aluminio)  
Base de cebador\* (plástico)

**P** Base da unidade de escorvagem\* (Alumínio)  
Base da unidade de escorvagem\* (Plástico)

**GB \*Primer Base kits are not interchangeable.**

**F** \*Les jeux de base d'amorçage ne sont pas interchangeables.

**NL** \*Sokkel-sets voor voorinspuiten zijn niet verwisselbaar.

**D** \*Sockelsätze für die Vorpumpe sind nicht austauschbar.

**I** \*I kit della base del cicchetto non sono intercambiabili.

**E** \*Los juegos de base de cebador no son intercambiables.

**P** \*Os jogos de base da unidade de escorvagem não são intercambiáveis.

**GB Swivel Kit ..... A-00289**

**F** Jeu de pivots

**NL** Zwenkset

**D** Drehzapfen-Satz

**I** Serie di ingranaggi girevoli

**E** Juego de enganche giratorio

**P** Jogo da rótula

**GB WALBRO ..... A-03002**

**GB Repair Kit ..... A-02665**

**F** Jeu de réparation

**NL** Reparatieset

**D** Reparatur-Satz

**I** Kit di riparazione

**E** Juego de reparación

**P** Jogo de reparação

**GB Gasket/Diaphragm Kit ..... A-00285-A**

**F** Jeu joint/diaphragme

**NL** Pakking/membraan set

**D** Dichtung/Membrane-Satz

**I** Kit diaframma/guarnizione

**E** Conjunto junta/diafragma

**P** Jogo de juntas vedantes/diafragmas

**GB Swivel Kit ..... A-00289**

**F** Jeu de pivots

**NL** Zwenkset

**D** Drehzapfen-Satz

**I** Serie di ingranaggi girevoli

**E** Juego de enganche giratorio

**P** Jogo da rótula

**GB Primer Bulb ..... 01201**

**F** Bouton d'amorçage

**NL** Voorinspuitpomp

**D** Vorpumpe

**I** Cicchetto

**E** Bulbo cebador

**P** Bolha da unidade de escorvagem

**GB Primer Base\* ..... A-01200-A**

**F** Base d'amorçage\*

**NL** Voorinspuit-sokkel\*

**D** Vorpumpen-Sockel\*

**I** Base del cicchetto\*

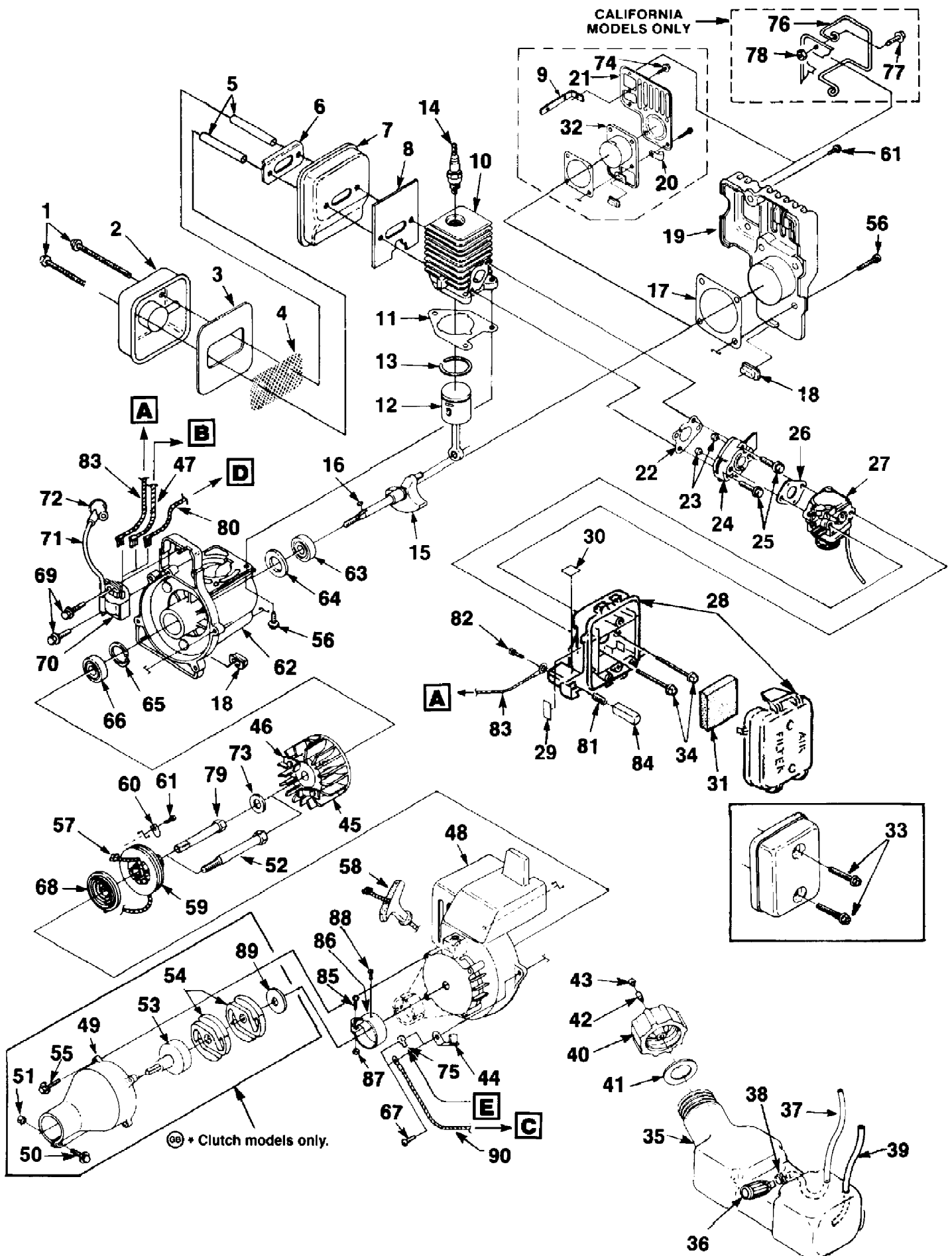
**E** Base de cebador\*

**P** Base da unidade de escorvagem\*

ST485 String Trimmer UT-15047-B  
Carburetor

Page 4 of 7

Ref #	Part Number	Qty	S/P/F	Description
A-03003	A03003	1		ZAMA
A-03979	A03979	1		Repair Kit
A-03980	A03980	1		Gasket/Diaphragm Kit
A-01195-A	A01195A	1	S	Primer Bulb
A-01194	A01194	1		Primer Base (Aluminum) Primer Base kits are not interchangeable.
A-03062	A03062	1		Primer Base (Plastic) Primer Base kits are not interchangeable.
A-00289	A00289	1		Swivel Kit
A-03002	A03002	1		WALBRO
A-02665	A02665	1		Repair Kit
A00285A	A00285A	1		Gasket/Diaphragm Kit
A-00289	A00289	1		Swivel Kit
01201	01201	1	S	Primer Bulb
A-01200-A	A01200A	1		Primer Base



Ref #	Part Number	Qty	S/P/F	Description
1	88060	2	S/P	SCREW- (10-24 x 2 1/2")
2	A98780	1	S	COVER- Muffler
3	98782	1	S	BAFFLE- Muffler
4	98784A	1		SCREEN- Spark
5	98860A	2	S	SPACER- Muffler
6	98783	1	/P	PLATE- Reinforcing
7	A01323	1	S	BODY- Muffler
8	98786B	1		GASKET- Muffler
9	00179	1	F	BRACKET-
10	A00108	1		CYLINDER
11	03703A	1	S	CYLINDER- Gasket
12	A01036A	1	/P	PISTON & ROD ASSEMBLY
13	96935	1	S	RING- Piston
14	96169S	1	S	SPARK PLUG (DJ7Y)
	79252	1	S	SPARK PLUG (RDJ7Y) (Int'l)
15	987582	1		CRANKSHAFT (Model 145 & 155)
	987583	1		CRANKSHAFT (Models 175,175C,175BC,185,185C,285,275,285BC,385)
16	69250	1	/P	KEY- Woodruff
17	98767A	1	/P	GASKET- Crankcase cover
18	98792	3	/P	BUMPER- Rubber
19	01023B	1	S	COVER- Crankcase
20	98752	1	F	CLAMP
21	98934	1	F	SHIELD
22	98765B	1	/P	GASKET- Heat dam
23	81208	2	/P	NUT (10-24)
24	98768	1	S	HEAT DAM
25	825491	2	S	SCREW- Taptite (10-24 x 1")
26	98766A	1	S/P	GASKET- Carburetor
27	A03003	1		CARBURETOR- (Zama)
	A03002	1		CARBURETOR- (Walbro)
28	A01440A	1	S	AIR FILTER BOX
29	00772	1		DECAL- Choke, Run
30	98943	1		DECAL- Push-Hold
31	D98760A	1		FILTER- Air
32	98754B	1	/P/F	COVER- Crankcase
33	82368	2	S/F	SCREW- Plastite (8 x 3/4")
34	82542	2	/P	SCREW (10-24 x 2 1/4")
35	A01441	1		TANK- Fuel
36	49422	1	S	FILTER- Fuel
37	9477232	1	S	TUBING- Rubber (8")
38	98268	1	S/P	WIRE CLAMP
39	0143932	1	S/P	TUBING- Rubber (8")
40	A00982A	1		FUEL CAP ASSEMBLY
41	98805A	1	/P	GASKET- Fuel cap
42	03134	1	S/P	VALVE- Duckbill
43	98913	1	S	FILTER-Cap
44	A98808	1		BRACKET-Cable
45	A95007	1	S	ROTOR
46	A70285E	1	/P	KIT- Starter pawl
47	A98918	1		LEAD- Electrical (Models 175BC,185,185C,285BC,385-UT-15040&UT10)

Ref #	Part Number	Qty	S/P/F	Description
48	A02576B	1		HOUSING- Engine (Clutch Models Only)
	A02575	1		HOUSING- Engine (Non-Clutch Models)
49	A02396A	1	/P	TUBE ADAPTOR
50	88054	1	S	SCREW (10-24 x 1 1/4")
51	81208	1	/P	NUT(10-24)
52	01547	1		ADAPTOR- Clutch (Clutch Models Only)
53	A02727	1	S	CONNECTOR & DRUM
54	00242	2	/P	CLUTCH
55	88052	4	/P	SCREW (10-24 x 7/8")
56	82538	3	/P	SCREW (10-24 x 3/4")
57	9789902	1	S/P	ROPE- Starter (42")
58	02264	1	S	GRIP- Starter
59	98770	1		PULLEY- Starter
60	98791	1	/P	BRACKET- Retaining
61	82541	2	/P	SCREW- Plastite (10 x 1/2")
62	A00107A	1		CRANKCASE ASSEMBLY
63	98797	1	/P	BEARING- Ball
64	98800	1	/P	SEAL
65	98799	1	/P	RING- Retaining
66	98798	1	S	BALL- Bearing
67	82538	5	/P	SCREW- Taptite (10-24 x 3/4")
68	A98773	1		SPRING & CONTAINER
69	82540	2	/P	SCREW- Taptite (8-32 x 1")
70	94711CS	1	/P	MODULE- Ignition
71	69326	1		LEAD- High-Tension
72	A33055	1	/P	TERMINAL- High-Tension
73	84065	1	S	WASHER- Flat (5/16") (Non-Clutch Models)
74	88077	1	S/F	SCREW- Hex sems (10-24 x 3/8")
75	02851	1	/P	TERMINAL (Models 385--UT15040B, UT15040C, & UT15040D) (Model 485)
76	A00254	1	S	WIRE GUARD KIT (California Models Only)
77	88049	2	/P	SCREW- Hex sems (10-24 x 1/2")
78	81208	2	/P	NUT- (10-24)
79	98795A	1	/P	CONNECTOR- Drive (Non Clutch Models)
80	A00681	1		LEAD- Electrical (Model 385--UT15040B, UT15040C, UT15040D & Model 485)
81	95020	1	S	SPRING- Compression
82	82513	1	/P	SCREW- Thread Forming
83	A98809	1	S	LEAD- Electrical (Models 145, 155, 175, 175C, 285, HGT & GST)
84	98769	1	/P	BUTTON- Switch
85	82268	1		SCREW- Hex sems (10-24 x 3/8")
86	98802A	1	S	CLAMP
87	97574	1		NUT- Square
88	82455	1		SCREW
89	98929A	1	S/P	WASHER- Clutch
90	A98919	1		LEAD- Ground (Models 185 & 385--UT15040 & UT15040A)