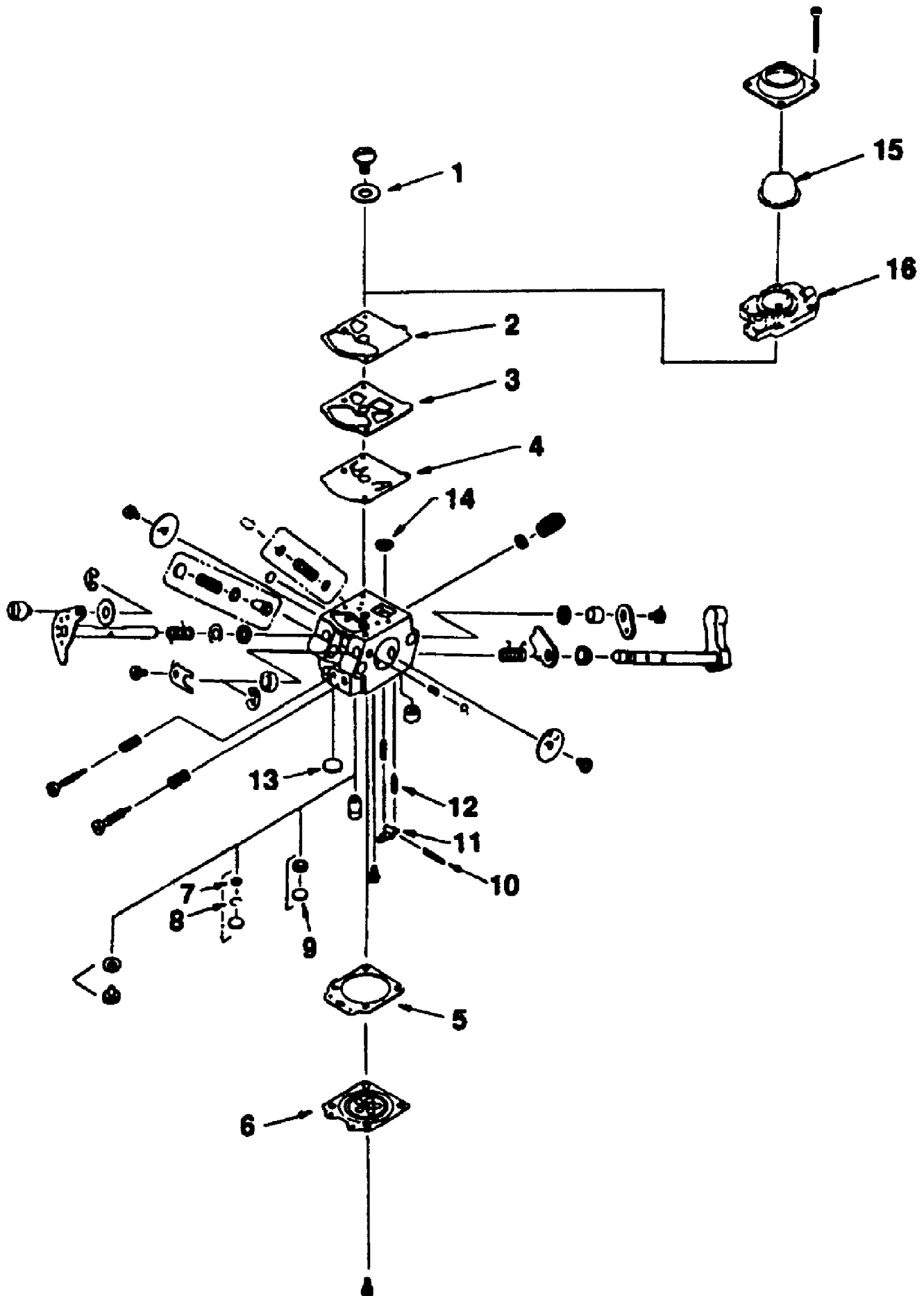


ST385 String Trimmer UT-15088-B  
Boom & Head

Page 2 of 11

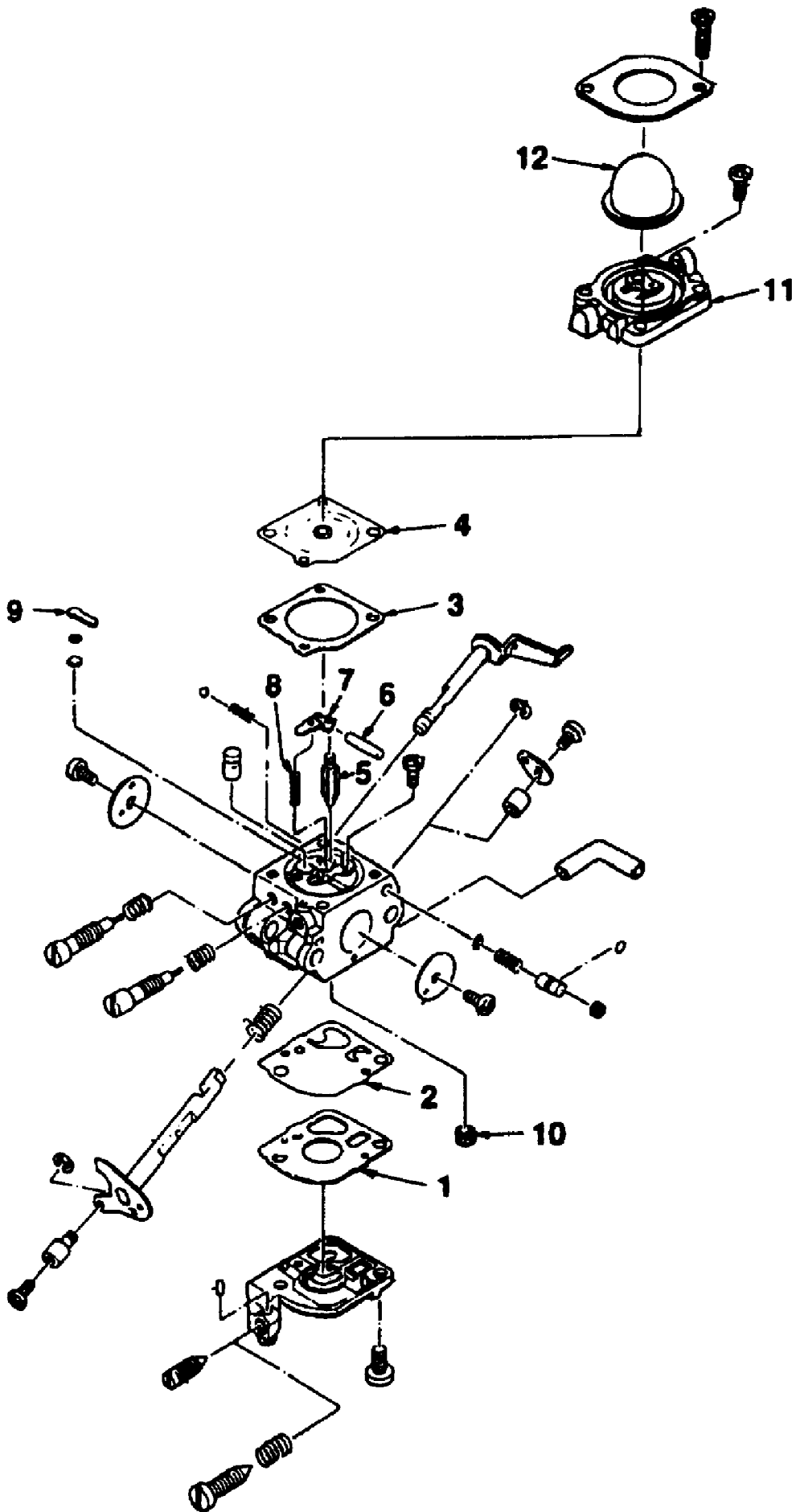
Ref #	Part Number	Qty	S/P/F	Description
1	DA92703B	1		HARNESS w/Connector
2	A00736	1		HANDLE-Front
3	00677	4	/P	NUT-Hex (M5 X 0.8)
4	00676	4	/P	SCREW-Hex Hd (M5 X 0.8 X 35)
5	A94442	1	/P	BRACKET-Hanger
6	82260	1	/P	SCREW-Thumb (10-24 X 1/2")
7	A00738	1	S	THROTTLE & SWITCH w/Lead
8	00597A	1		GRIP-Handle
9	00737	2	/P	SPRING-Tension (HBC-30)
10	98832	1	/P	SHAFT-Drive
11	46840	1	/P	CABLE-Tie
12	A03004	1	/P	CABLE-Throttle
13	A03800A	1	S	HOUSING-Drive Shaft (Black)
14	04458	1	S	DECAL-Starting Instructions
15	02985	1	S	DECAL-Warning
16	A03888	1	S	GEAR HEAD
17	88049	1	/P	SCREW-Sems Hex Hd (10-24 X 1/2")
18	82586	1	/P	SCREW-Cap Socket Hd (1/4-20 x 7/8")
19	04168	1		WASHER-Flange
20	988472	1	/P	GUARD-Blade
21	D98717A	1	S	BLADE-Tri-Arc
22	04259	1	/P	WASHER-Flange
23	04277	1	/P	NUT-Hex (L.H.)
24	9855141	1	/P	CONNECTOR-Drive
25	A98231A	1	S/P	HOUSING & EYELET (Dual Line)
26	98848	1	S	SPRING-Compression
27	DA02598A	1		SPOOL & STRING (Dual Line)
28	0395903	1	S	LINE-Replacement (1 lb Box, .095" Dia.)
29	A97910A	1	S/P	RETAINER-Spool (L.H.) (Red)
30	A03174	1		STRINGHEAD COMPLETE
31	A03590A	1	S	GRASS DEFLECTOR KIT
32	A0436203	1	/P	DEFLECTOR & BLADE
33	82298	5	S	SCREW-Mach Hex Hd
34	84003	5	/P	WASHER-Flat
35	81208	2	/P	NUT-Hex (10-24)
36	83046	3		WASHER-Lock
37	A03404	1	/P	DEFLECTOR BRACKET KIT



ST385 String Trimmer UT-15088-B  
Carburetor (Walbro)

Page 4 of 11

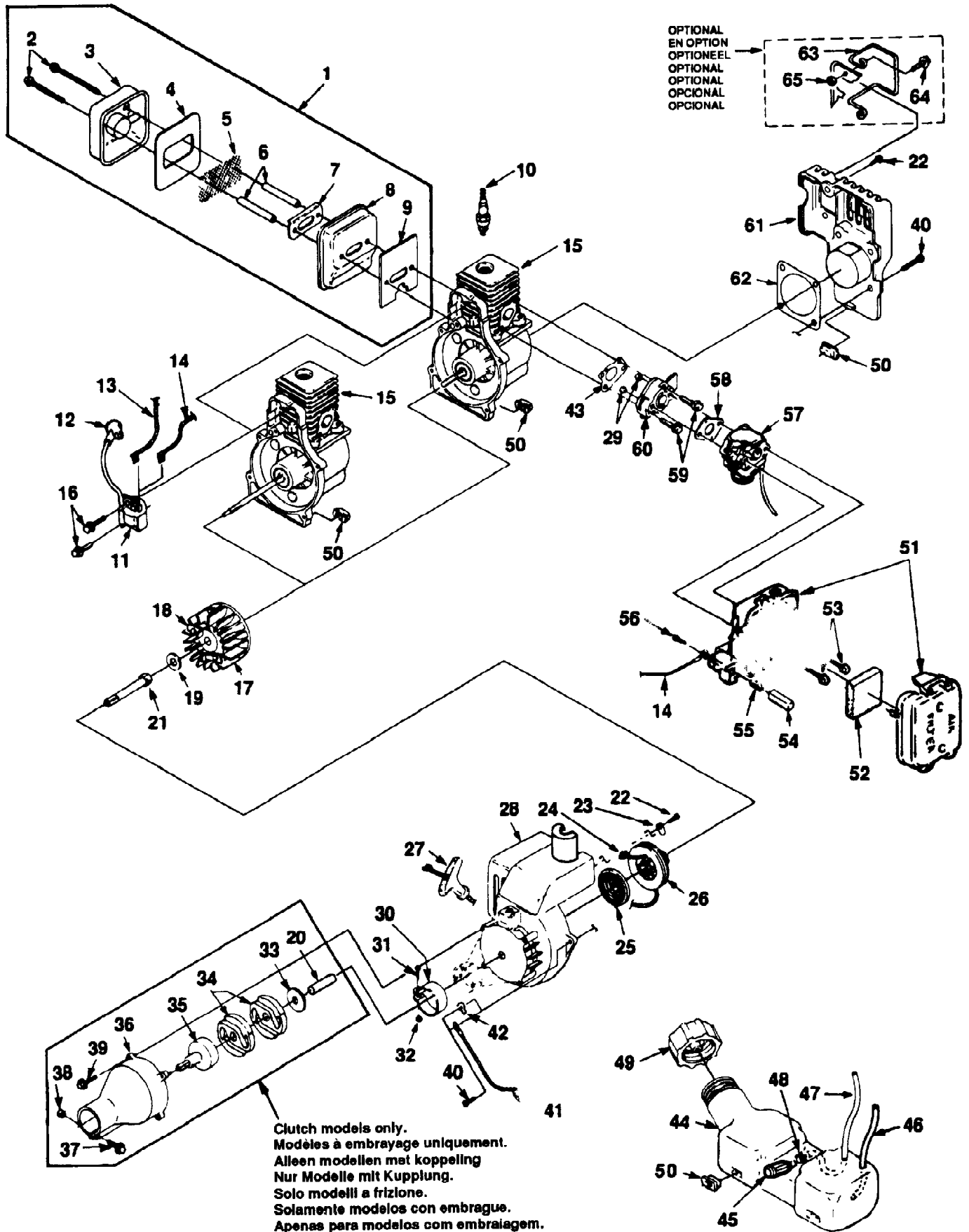
Ref #	Part Number	Qty	S/P/F	Description
	A03002	1		Carburetor Walbro
	A02665	1		Repair Kit
	A00285A	1		Gasket/Diaphragm Kit
	A00289	1		Swivel Kit
	01201	1	S	Primer Bulb
	A01200A	1		Primer Base



ST385 String Trimmer UT-15088-B  
Carburetor (Zama)

Page 6 of 11

Ref #	Part Number	Qty	S/P/F	Description
	A03003	1		Carburetor Zama
	A03979	1		Repair Kit
	A03980	1		Gasket/Diaphragm Kit
	A01195A	1	S	Primer Bulb
	A03062	1		Primer Base



ST385 String Trimmer UT-15088-B  
Engine

Page 8 of 11

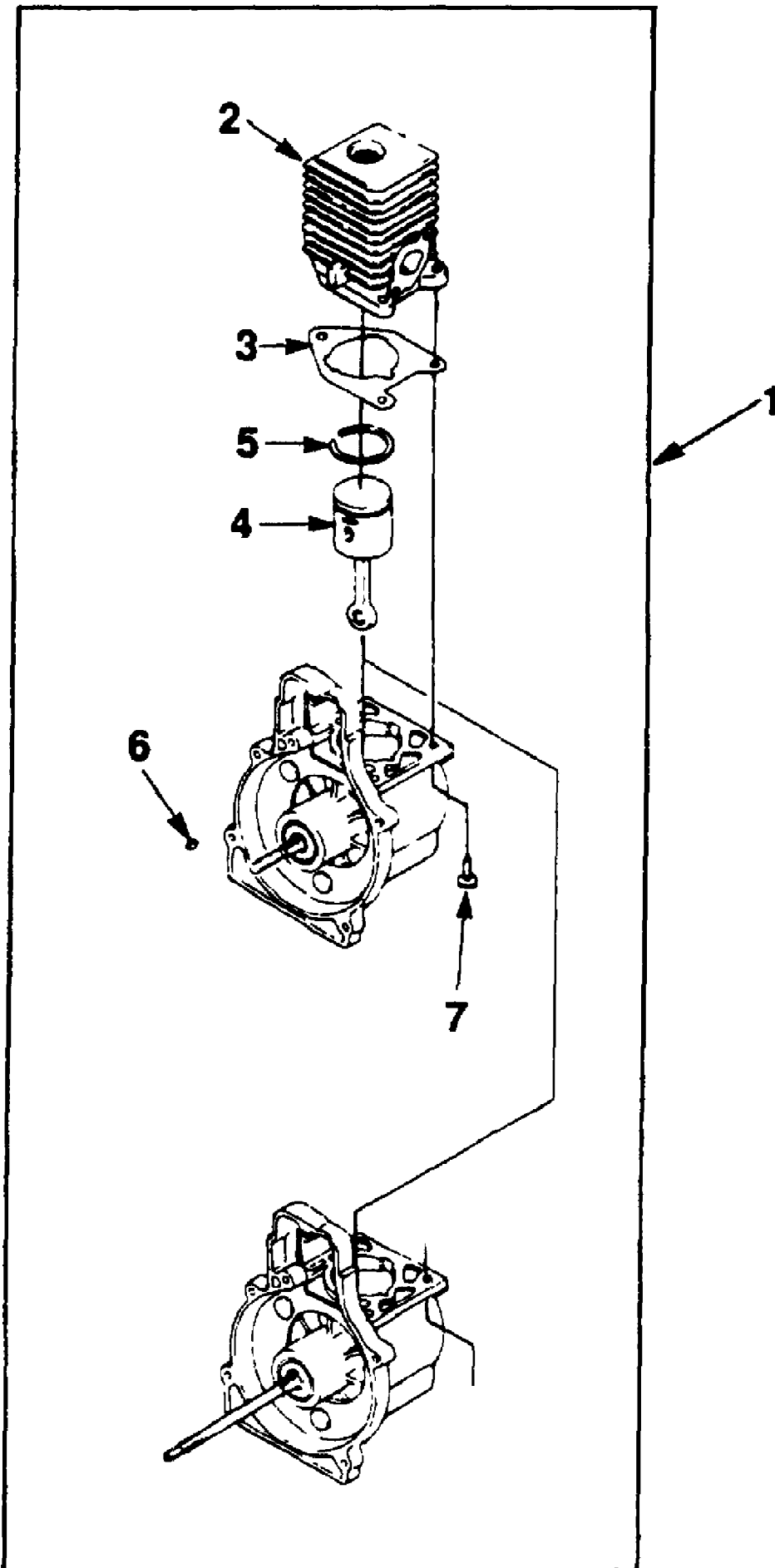
Ref #	Part Number	Qty	S/P/F	Description
1	A01123	1	S	MUFFLER-Complete
2	88060	2	S/P	SCREW-Sems Hex Hd (10-24 X 2 1/2")
3	A98780	1	S	COVER-Muffler
4	98782	1	S	BAFFLE-Muffler
5	98784A	1		SCREEN-Spark
6	98860A	2	S	SPACER-Muffler
7	98783	1	/P	PLATE-Reinforcing
8	A01323	1	S	BODY-Muffler
9	98786B	1		GASKET-Muffler
10	79252	1	S	SPARK PLUG (RDJ7Y)
	96169S	1	S	SPARK PLUG (DJ7Y) (SX-135 Only)
11	94711CS	1	/P	MODULE-Ignition
12	A33055	1	/P	TERMINAL-Hi Tension
13	A00681	1		LEAD-Electrical (ST-175C, ST-385, HLT-17C, HBC-30, HBC-30B)
14	A98809	1	S	LEAD-Electrical (ST-155, SX-135)
15		1		SHORT BLOCK (SEE "Short Block" ILLUSTRATION AND PARTS LIST)
16	82540	2	/P	SCREW-Taptite (8-32 X 1")
17	A00856	1	S	ROTOR KIT (ST-175C, ST-385)
18	A70285E	1	/P	KIT-Starter Pawl
19	95479A	1	/P	WASHER-Flat
20	035662	1	S	SPACER
17	A00857	1	S	ROTOR KIT (HLT-17C, HBC-30, HBC-30B)
18	A70285E	1	/P	KIT-Starter Pawl
19	95479A	1	/P	WASHER-Flat
20	035661	1	S	SPACER
17	A04158	1	S	ROTOR KIT (ST-155, SX-135)
18	A70285E	1	/P	KIT-Starter Pawl
19	84065	1	S	WASHER-Flat (5/16") (ST-155, SX-135)
21	98795A	1	/P	CONNECTOR-Drive (ST-155, SX-135)
	A01083A	1	S	COMPLETE STARTER ASSEMBLY (ST-155, SX-135)
22	82541	4	/P	SCREW-Plastite (#10 X 1/2")
23	98791	1	/P	BRACKET-Retaining
24	9789902	1	S/P	ROPE-Starter (42")
25	A98773	1		SPRING & CONTAINER
26	98770	1		PULLEY-Starter
27	02264	1	S	GRIP-Starter
28	A02575B	1	S	HOUSING-Engine (ST-155, SX-135)
28	A02576C	1	S	HOUSING-Engine (ST-175C, ST-385, HLT-17C, HBC-30, HBC-308)
29	81208	2	/P	NUT-Hex (10-24)
30	98802A	1	S	CLAMP
31	82268	1		SCREW-Hex Sems (10-24 X 3/8")
32	97574	1		NUT-Square
33	98929A	1	S/P	WASHER-Clutch (ST-1750, ST-385, HLT-170, HBC-30, HBC-308)
34	00242	2	/P	CLUTCH (ST-1750, ST-385)
34	00242	3	/P	CLUTCH (HLT-170, HBC-30, HBC-308)
35	A02727	1	S	CONNECTOR & DRUM (ST-1750, ST-385)



ST385 String Trimmer UT-15088-B  
Engine

Page 9 of 11

Ref #	Part Number	Qty	S/P/F	Description
	A03485A	1	S	CONNECTOR & DRUM (HLT-170, HBC-30, HBC-308)
36	A02396A	1	/P	TUBE ADAPTOR (ST-1750, ST-385, HLT-170, HBC-30, HBC-308)
37	88054	1	S	SCREW-Sems Hex Hd (10-24 X 1 1/4")
38	81208	1	/P	NUT (10-24)
39	88052	4	/P	SCREW-Sams Hex Hd (10-24 X 7/8")
40	82538	7	/P	SCREW-Taptite (10-24 X 3/4")
41	A98919A	1	S	LEAD-Ground
42	02851	1	/P	TERMINAL
43	98765B	1	/P	GASKET-Heat Dam
44	A04447	1	S	TANK-Fuel
45	49422	1	S	FILTER-Fuel
46	0143932	1	S/P	TUBING-Rubber (8")
47	9477232	1	S	TUBING-Rubber (8")
48	98268	1	S/P	CLAMP-Wire
49	A00982A	1		FUEL CAP
50	98792	3	/P	BUMPER-Rubber
51	A04449	1	S	AIR FILTER BOX
52	D98760A	1		FILTER-Air
53	04474	2	/P	SCREW- Mach (10-24 X 2 1/4")
54	98769	1	/P	BUTTON-Switch
55	95020	1	S	SPRING-Compression
56	82513	1	/P	SCREW-Plastite (#6)
57	A04445	1	S	CARBURETOR KIT
58	98766A	1	S/P	GASKET-Carburetor
59	825491	2	S	SCREW-Taptite (10-24 X 1")
60	98768	1	S	HEAT DAM
61	A04640	1		CRANKCASE COVER-Flocked
62	98767A	1	/P	GASKET-Crankcase Cover
63	A00254	1	S	WIRE GUARD KIT
64	88049	2	/P	SCREW-Hex Sems (10-24 X 1/2")
65	81208	2	/P	NUT (10-24)



ST385 String Trimmer UT-15088-B  
Short Block

Page 11 of 11

Ref #	Part Number	Qty	S/P/F	Description
1	A00410A	1	S	SHORT BLOCK (ST-155, SX-135)
2	A03259	1	S	CYLINDER & GASKET
3	04388	1	S	GASKET-Cylinder
4	A04258	1	S	PISTON & ROD
5	96935	1	S	RING-Piston
6	69250	1	/P	KEY-Woodruff
7	82568	3	S	SCREW-Torx Pan Hd (10-24 X 3/4")
	A00408A	1	S	SHORT BLOCK (ST-175C ST-385)
	A03259	1	S	CYLINDER & GASKET
	04388	1	S	GASKET-Cylinder
	A04258	1	S	PISTON & ROD
	96935	1	S	RING-Piston
	69250	1	/P	KEY-Woodruff
	82568	3	S	SCREW-Torx Pan Hd (10-24 X 3/4")
	A00411A	1	S	SHORT BLOCK (HLT-17C, HBC-30, HBC-30B)
	A03785A	1	S	CYLINDER & GASKET
	03703A	1	S	GASKET-Cylinder
	A03599	1	S	PISTON & ROD
	03179	2	/P	RING-Piston
	69250	1	/P	KEY-Woodruff
	82568	3	S	SCREW-Torx Pan Hd (10-24 X 3/4")