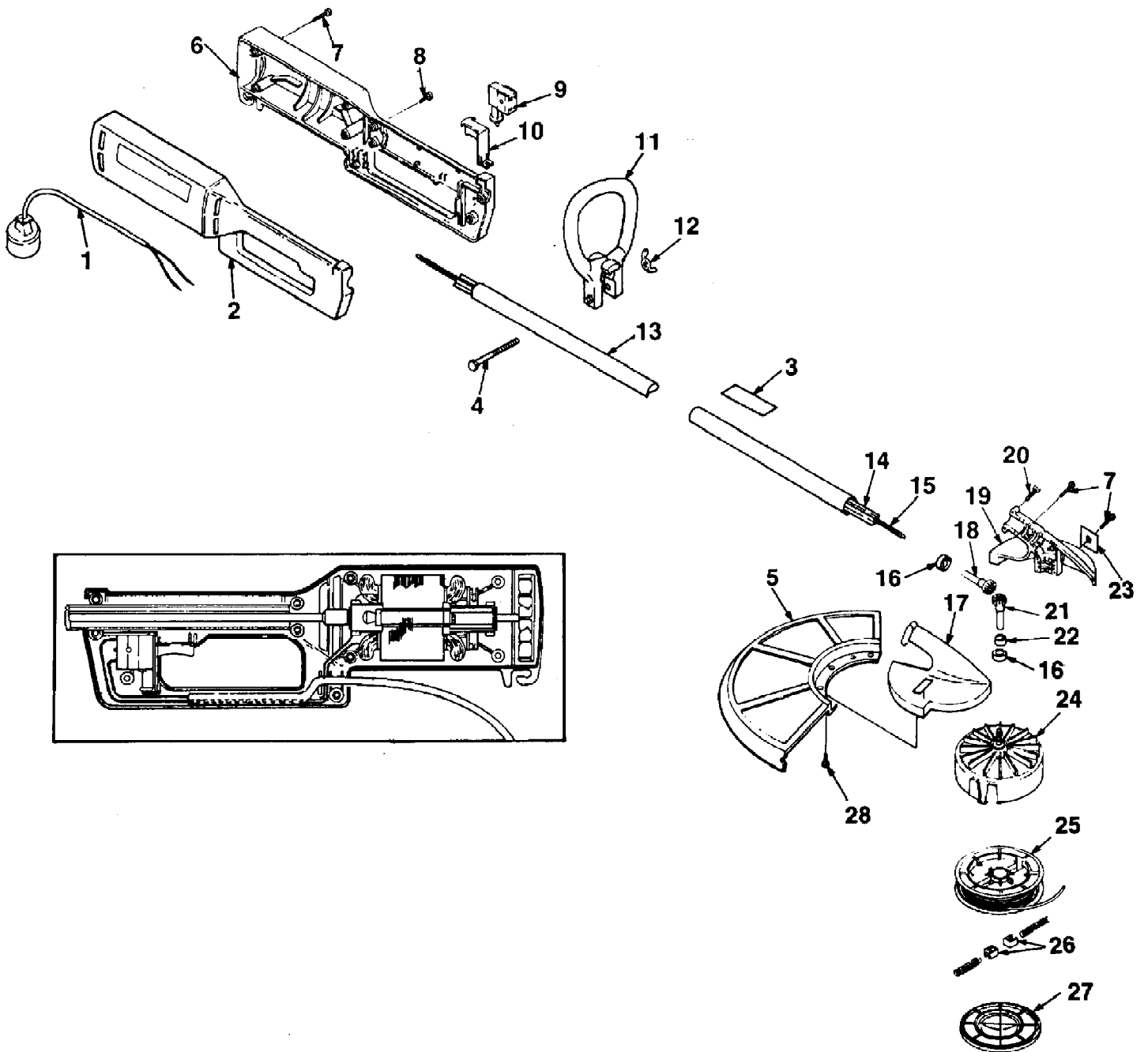


ST30C Electric String Trimmer UT-21529
Exploded View



ST30C Electric String Trimmer UT-21529
Exploded View

Page 2 of 2

Ref #	Part Number	Qty	S/P/F	Description
1	98720A	1		CORD SET
2	98980	1		HOUSING- Motor (right)
	989801	1		HOUSING- Motor (right) ST-30C
3	00308	1		LABEL- Warning
4	80295	1	/P	SCREW- Hex hd. 1/4-20 x 2
5	A00639	1		STRING GUARD w/Cut-off blade
6	98979	1		HOUSING- Motor (left)
	989791	1		HOUSING Motor (left) ST-30C
7	94065	4		SCREW- Thd. forming 10-16 x 3/4
8	93243	6		SCREW- Thread forming #10-16 x 9/16
9	95547A	1	S	SWITCH
10	98983	1		TRIGGER- Switch
11	00065	1		HANDLE- Front
12	93992	1	/P	NUT- Wing
13	98978	1		TUBE
14	00002	1		TUBE- Liner
15	00003A	1		SHAFT- Flexible
16	98843	2		BEARING
17	98988A	1		HOUSING- Gear (Right)
18	98990A	1		GEAR- Drive
19	98987A	1		HOUSING- Gear (Left)
20	82526	8	/P	SCREW
21	98989A	1		GEAR- Driven
22	00441	1		BEARING- Flange
23	00781	1		BLADE
24	A00766	1		STRINGHEAD & EYELET ASSY. w/Drive Connector
25	DA00825	1		SPOOL & STRING
26	A00826	1	S	SLIDE & SPRING KIT
27	951371	1		RETAINER- Spool
28	82524	5	S	SCREW- Thread forming #10-14 x 1/2